



US00D541558S

(12) **United States Design Patent**  
**Meyer et al.**

(10) **Patent No.:** **US D541,558 S**

(45) **Date of Patent:** **\*\* May 1, 2007**

(54) **COMPUTER SYSTEM CART**

(75) Inventors: **John S. Meyer**, Portland, OR (US);  
**Steven K. Boicourt**, Hillsboro, OR  
(US); **James R. Van Lieu**, Aloha, OR  
(US); **Pilar Calderin**, Portland, OR  
(US); **Takamitsu Takei**, Beaverton, OR  
(US)

(73) Assignee: **Seiko Epson Corporation**, Tokyo (JP)

(\*\*) Term: **14 Years**

(21) Appl. No.: **29/241,862**

(22) Filed: **Nov. 1, 2005**

(51) **LOC (8) Cl.** ..... **06-04**

(52) **U.S. Cl.** ..... **D6/477**

(58) **Field of Classification Search** ..... D6/425,  
D6/477-479; D34/20-21; 312/194-196;  
108/59-60, 64; 280/47.35

See application file for complete search history.

(56) **References Cited**

**U.S. PATENT DOCUMENTS**

2,886,186	A	*	5/1959	Hamilton	.....	108/189
D278,294	S	*	4/1985	Dau	.....	D6/477
D285,134	S	*	8/1986	Schunter	.....	D34/21
4,640,199	A		2/1987	Zigman		
4,681,378	A	*	7/1987	Hellman, III	.....	312/223.2
D301,652	S	*	6/1989	Roberts	.....	D34/21
D305,710	S	*	1/1990	Ng et al.	.....	D6/474
D311,291	S	*	10/1990	Ugalde	.....	D6/474
4,998,023	A	*	3/1991	Kitts	.....	280/47.35
D371,879	S		7/1996	Linder		
D373,668	S		9/1996	Linder		
D381,168	S		7/1997	Delmerico et al.		
D386,869	S	*	11/1997	Dormon et al.	.....	D34/21
5,722,544	A		3/1998	Williams		

D400,334	S	*	10/1998	Hawkins	.....	D34/21
D403,536	S	*	1/1999	Olson et al.	.....	D6/479
D406,201	S	*	3/1999	Olson et al.	.....	D6/426
D414,054	S	*	9/1999	Hurd	.....	D6/436
D422,433	S	*	4/2000	Ho	.....	D6/479
D425,727	S	*	5/2000	Ishikawa	.....	D6/425
D429,580	S	*	8/2000	Janowitz	.....	D6/426
6,175,779	B1		1/2001	Barrett		
D446,973	S	*	8/2001	Henry et al.	.....	D6/474
D450,903	S	*	11/2001	Wacker et al.	.....	D34/20
D476,510	S		7/2003	Henry et al.		
6,767,019	B2	*	7/2004	van Hekken	.....	280/47.35
D515,847	S	*	2/2006	Moon et al.	.....	D6/477

\* cited by examiner

*Primary Examiner*—Cathron C. Brooks

*Assistant Examiner*—Kelley A. Donnelly

(74) *Attorney, Agent, or Firm*—Mark P. Watson

(57) **CLAIM**

The ornamental design for a computer system cart, as shown and described.

**DESCRIPTION**

FIG. 1 is an upper left front perspective view of a computer system cart showing the new design.

FIG. 2 is an upper left front perspective view of a computer system cart showing the new design.

FIG. 3 is a front elevation view thereof.

FIG. 4 is a right side elevation view thereof.

FIG. 5 is a rear elevation view thereof.

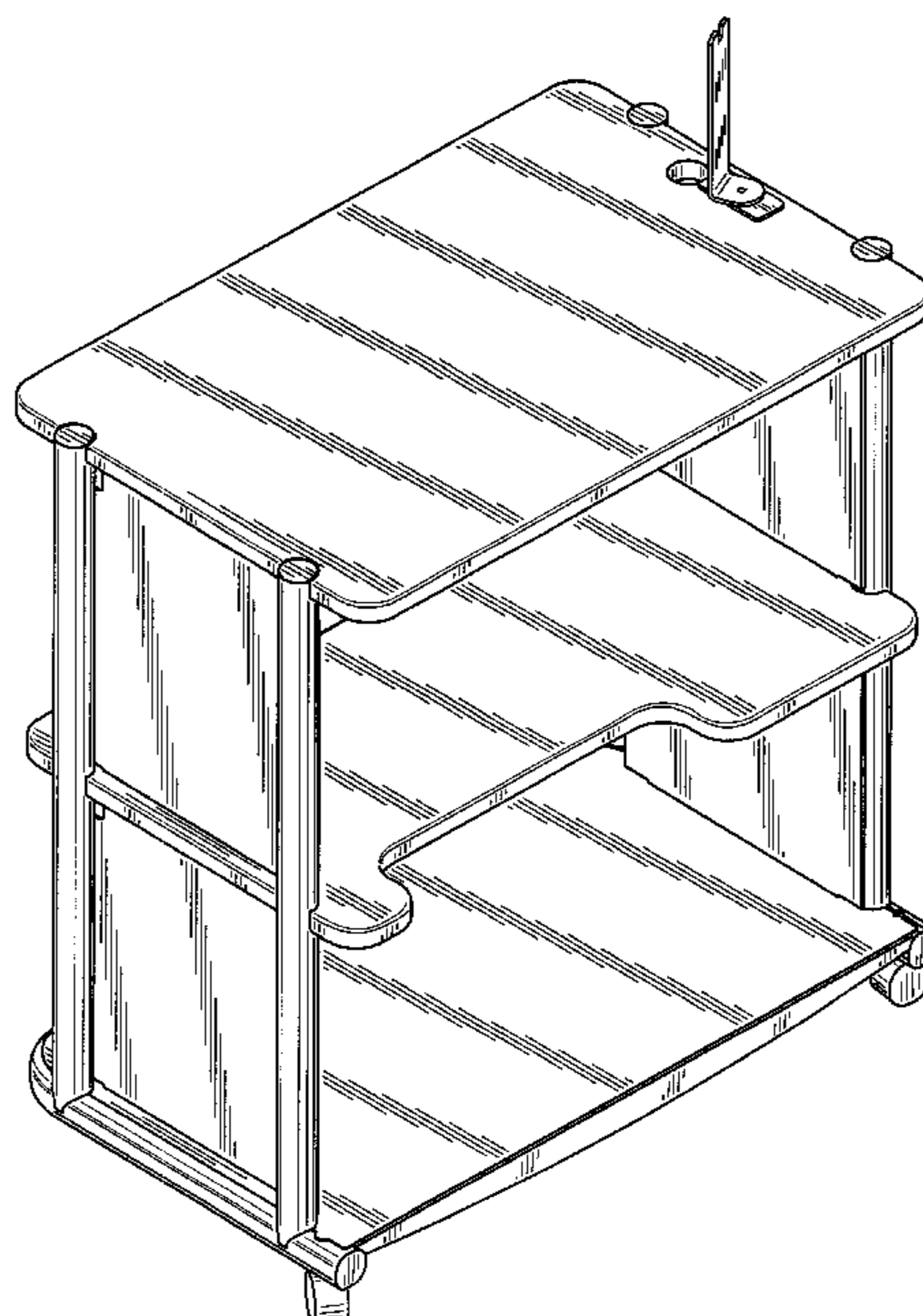
FIG. 6 is a left side elevation view thereof.

FIG. 7 is a top plan view thereof; and,

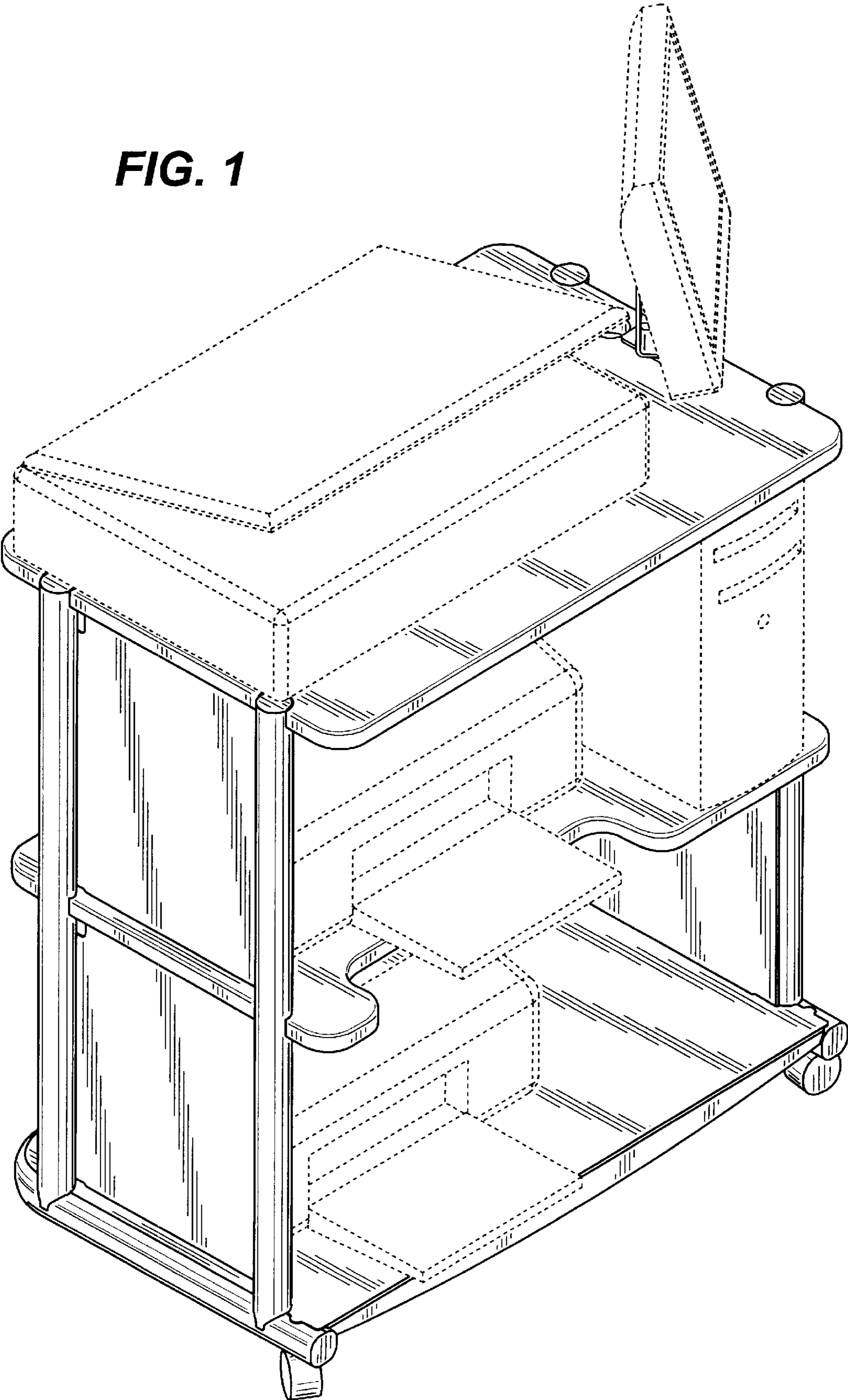
FIG. 8 is a bottom plan view thereof.

The broken line showing of exemplary unclaimed environmental structures in FIG. 1 is included for illustrative purposes only and forms no part of the claimed design.

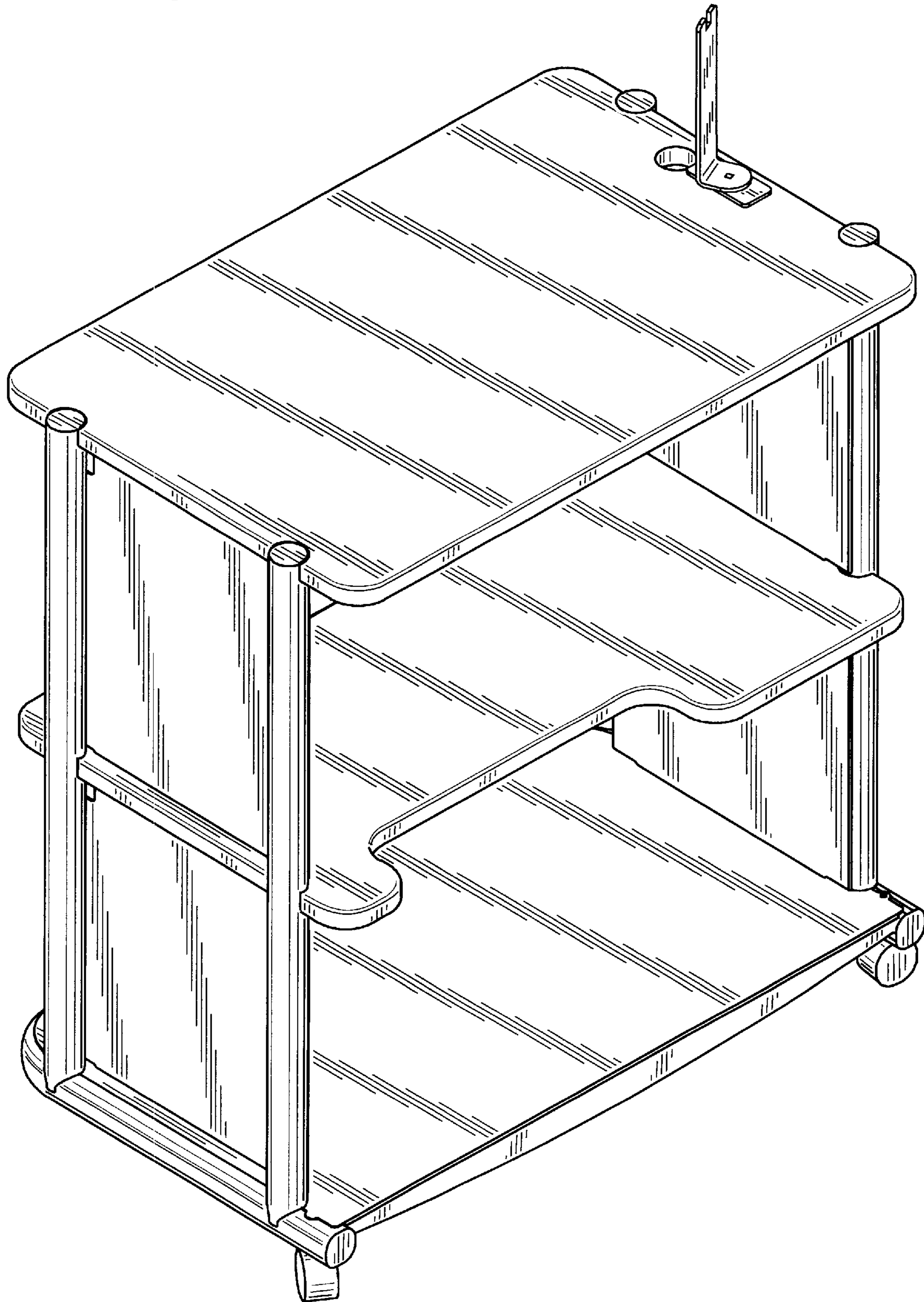
**1 Claim, 5 Drawing Sheets**

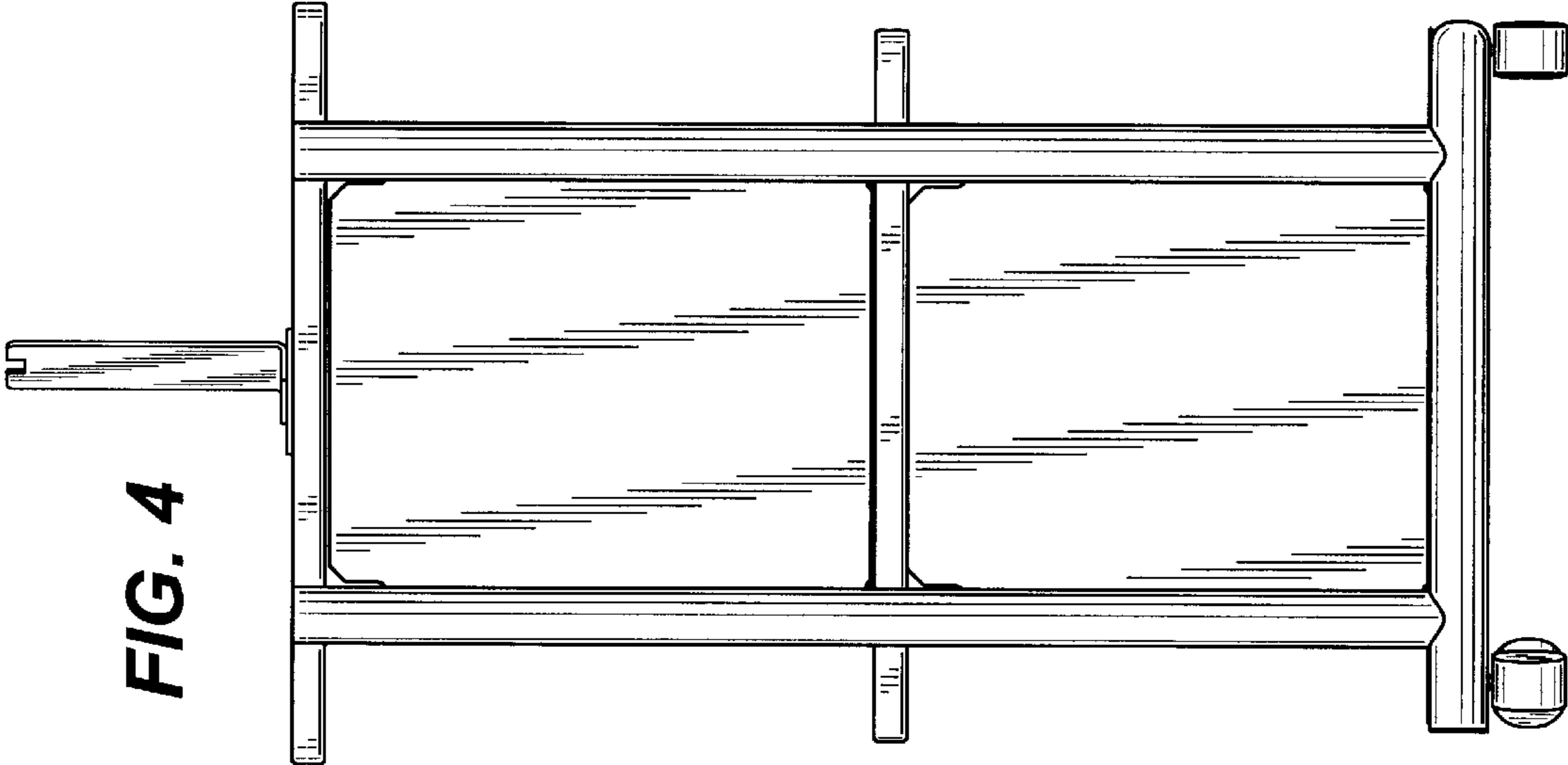


**FIG. 1**

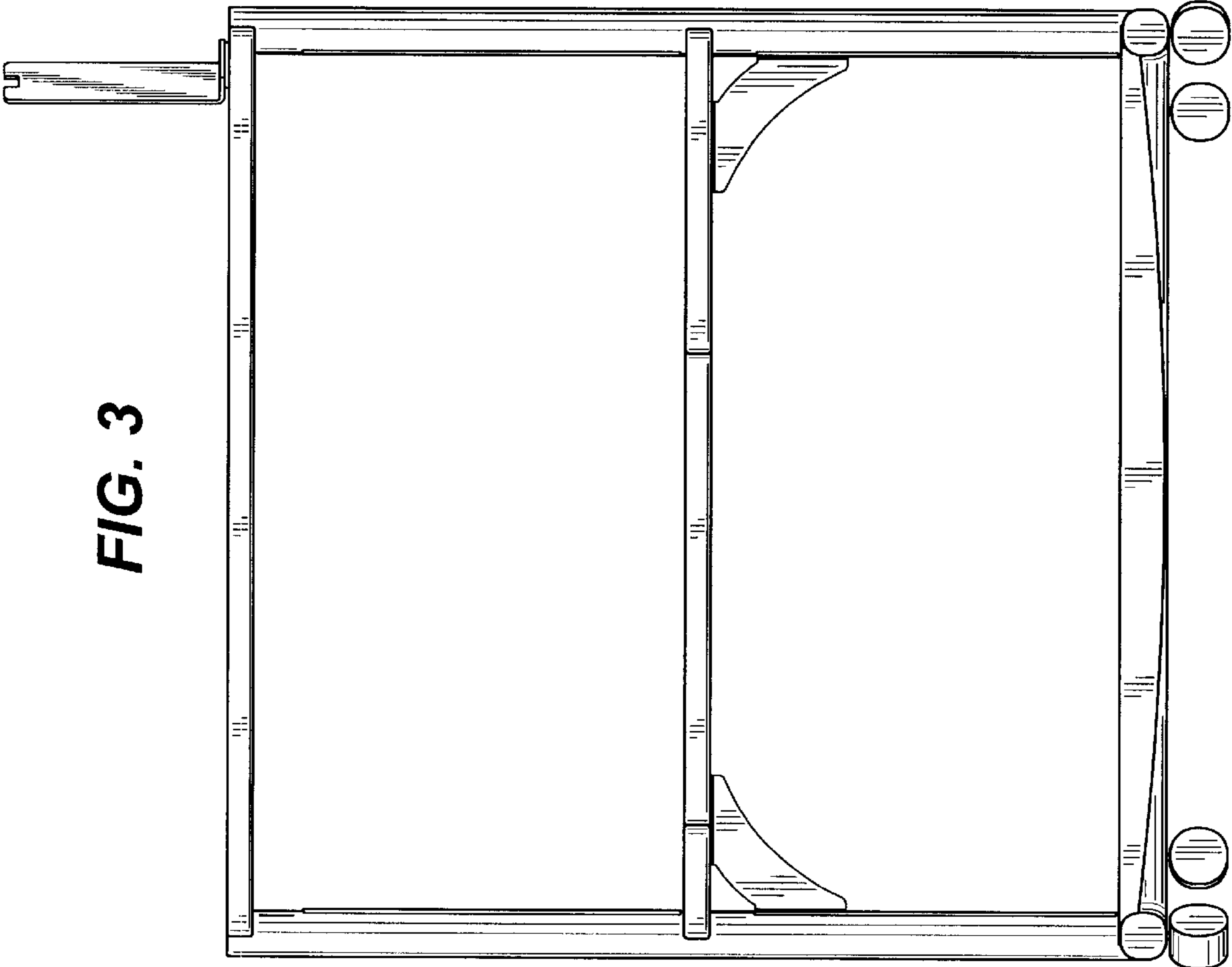


**FIG. 2**

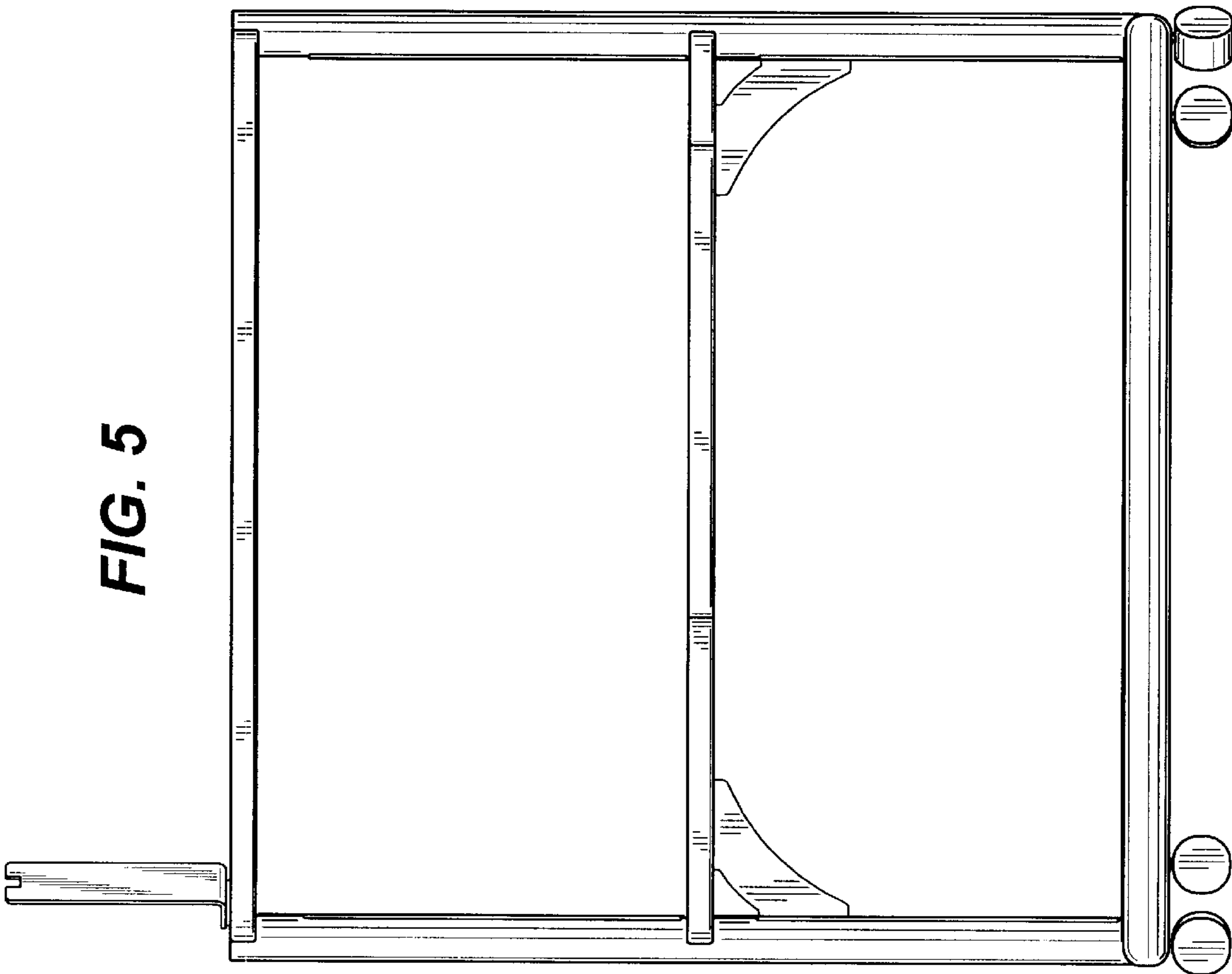
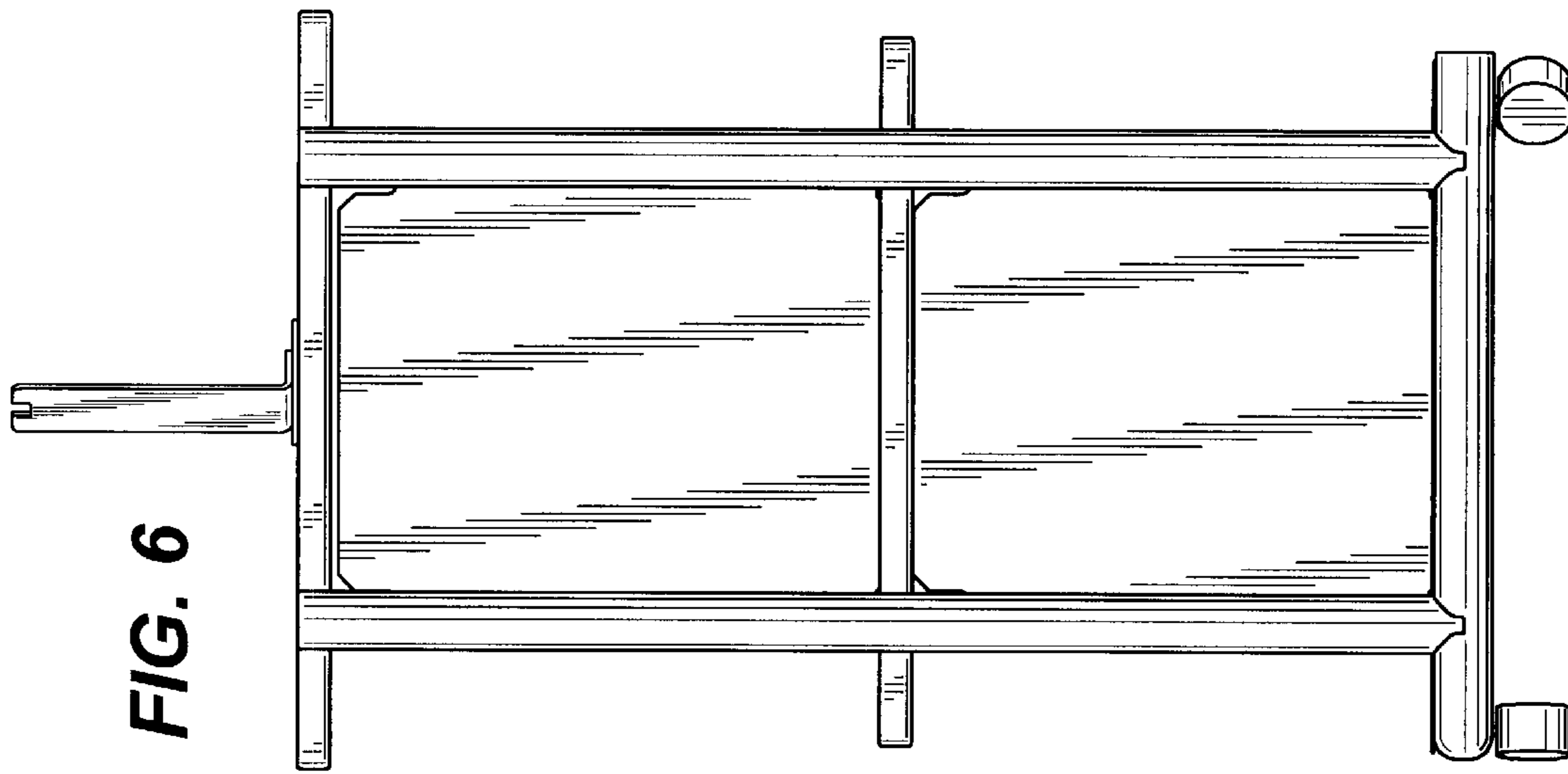


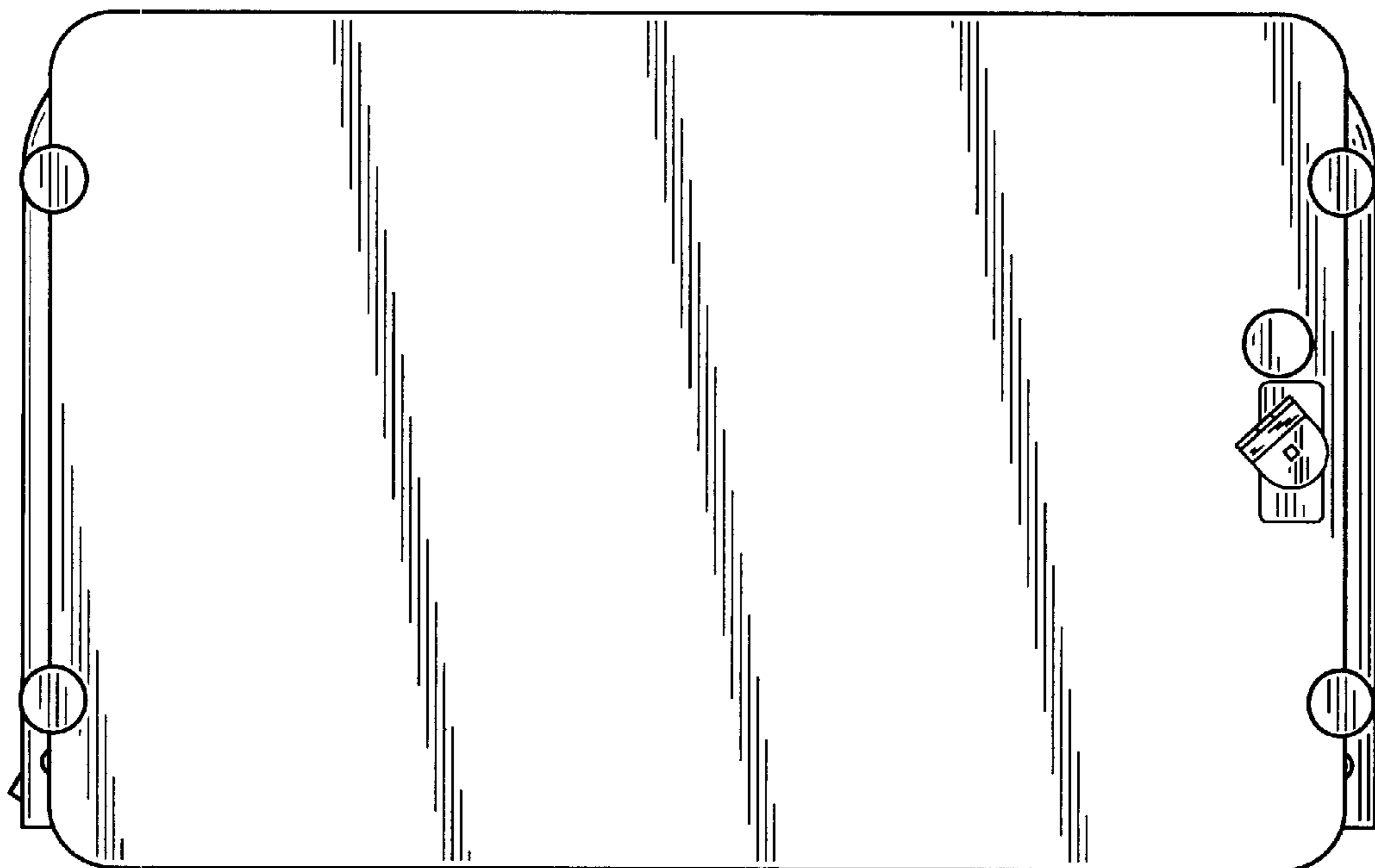


**FIG. 4**

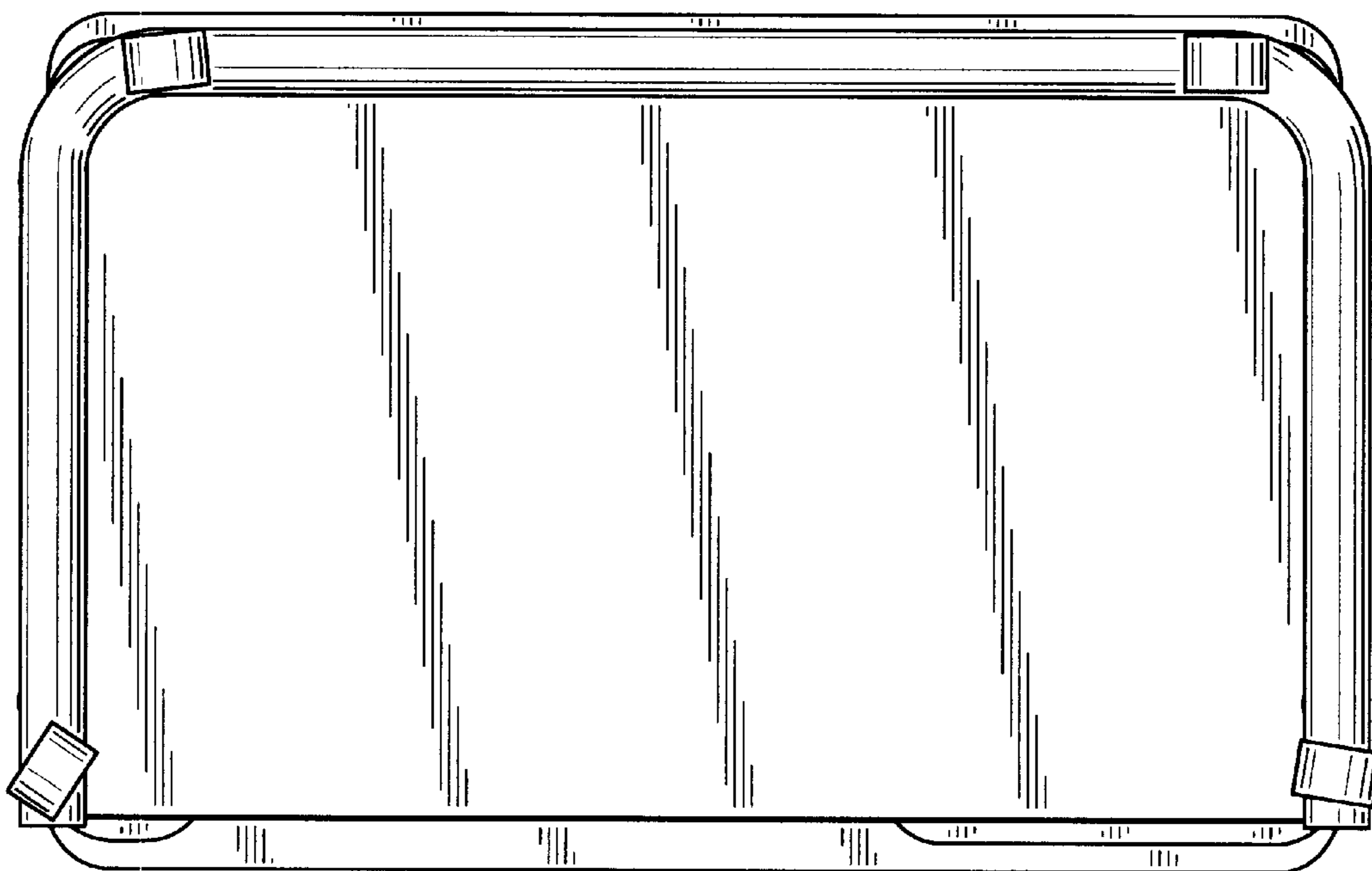


**FIG. 3**





**FIG. 7**



**FIG. 8**