



US00D541555S

(12) **United States Design Patent**
Falland

(10) **Patent No.:** **US D541,555 S**

(45) **Date of Patent:** **** May 1, 2007**

(54) **BARREL STORAGE RACK**

D446,052 S * 8/2001 Bourne D6/462
D487,365 S * 3/2004 Bourne D6/462

(76) Inventor: **Kenneth John Falland**, P.O. Box 345,
Nuriootpa, SA (AU), 5355

* cited by examiner

(**) Term: **14 Years**

Primary Examiner—Janice Seeger

Assistant Examiner—Zenia Bennett

(21) Appl. No.: **29/201,283**

(74) *Attorney, Agent, or Firm*—John E. Vandigriff

(22) Filed: **Mar. 15, 2004**

(57) **CLAIM**

(51) **LOC (8) Cl.** **06-04**

The ornamental design for a barrel storage rack, as shown and described.

(52) **U.S. Cl.** **D6/462**

(58) **Field of Classification Search** D6/400,
D6/449, 450, 475, 466–469, 491, 492, 509;
206/600; 211/11, 85.4, 85.6, 14, 55, 72, 74,
211/59.2

DESCRIPTION

See application file for complete search history.

FIG. 1 is an isometric view of the barrel storage rack showing my new design;

FIG. 2 shows a side view of the barrel storage rack. The broken line of a barrel on the rack is for illustrative purposes only and forms no part of the claimed design;

FIG. 3 is a top view of the barrel storage rack. The broken line of two barrels on the rack is for illustrative purposes and forms no part of the claimed design; and,

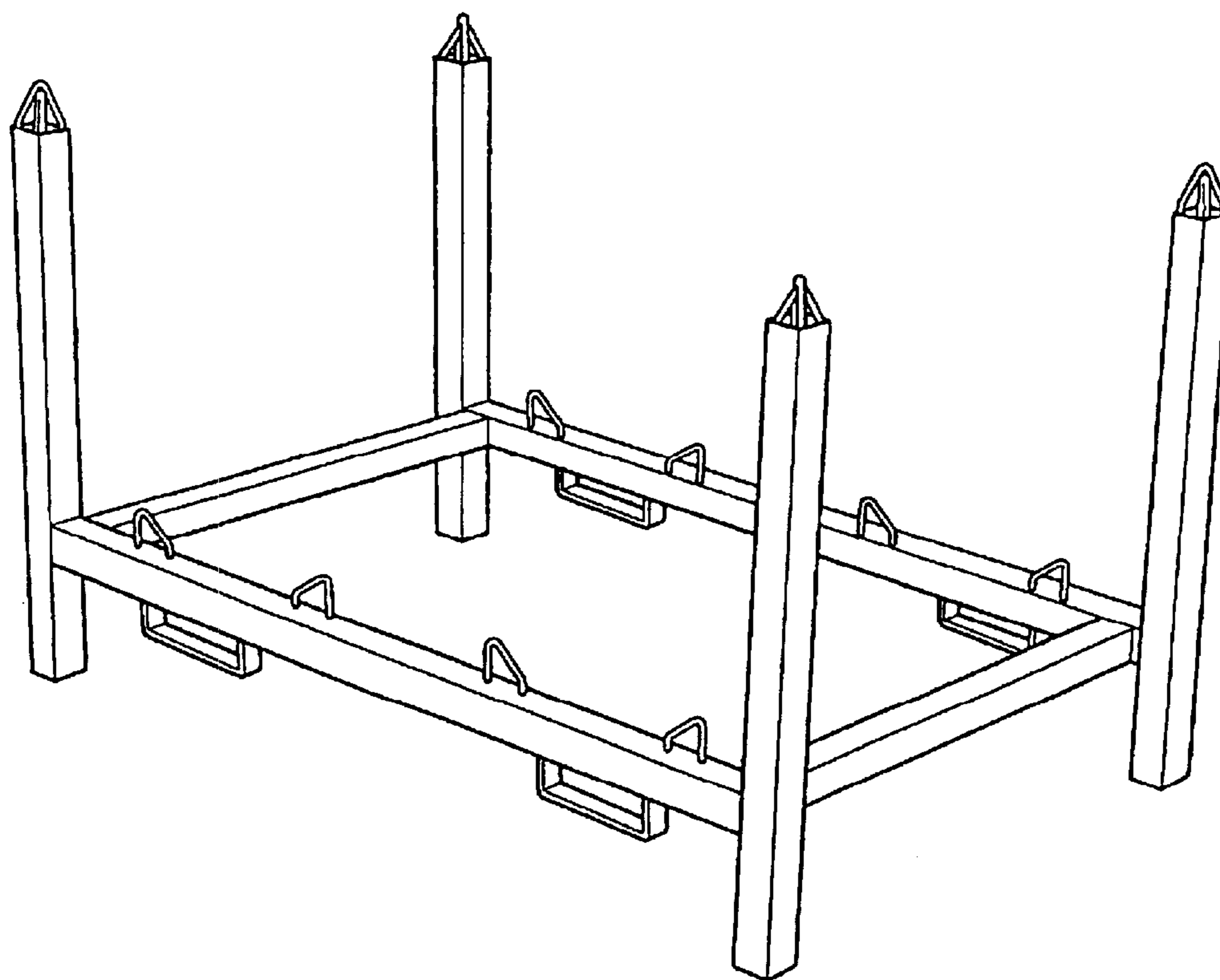
FIG. 4 a front view of the barrel storage rack. The broken line of two barrels on the rack is for illustrative purposes and forms no part of the claimed design.

(56) **References Cited**

U.S. PATENT DOCUMENTS

D252,122 S	*	6/1979	Searcy	D7/702
D252,123 S	*	6/1979	Searcy	D6/450
D263,529 S	*	3/1982	Magyar	D6/407
D329,556 S	*	9/1992	Brussing	D6/468
5,228,821 A	*	7/1993	Gleffe et al.	414/403
5,507,237 A	*	4/1996	Barrow et al.	108/55.1
D442,759 S	*	5/2001	Bowman et al.	D34/38

1 Claim, 2 Drawing Sheets



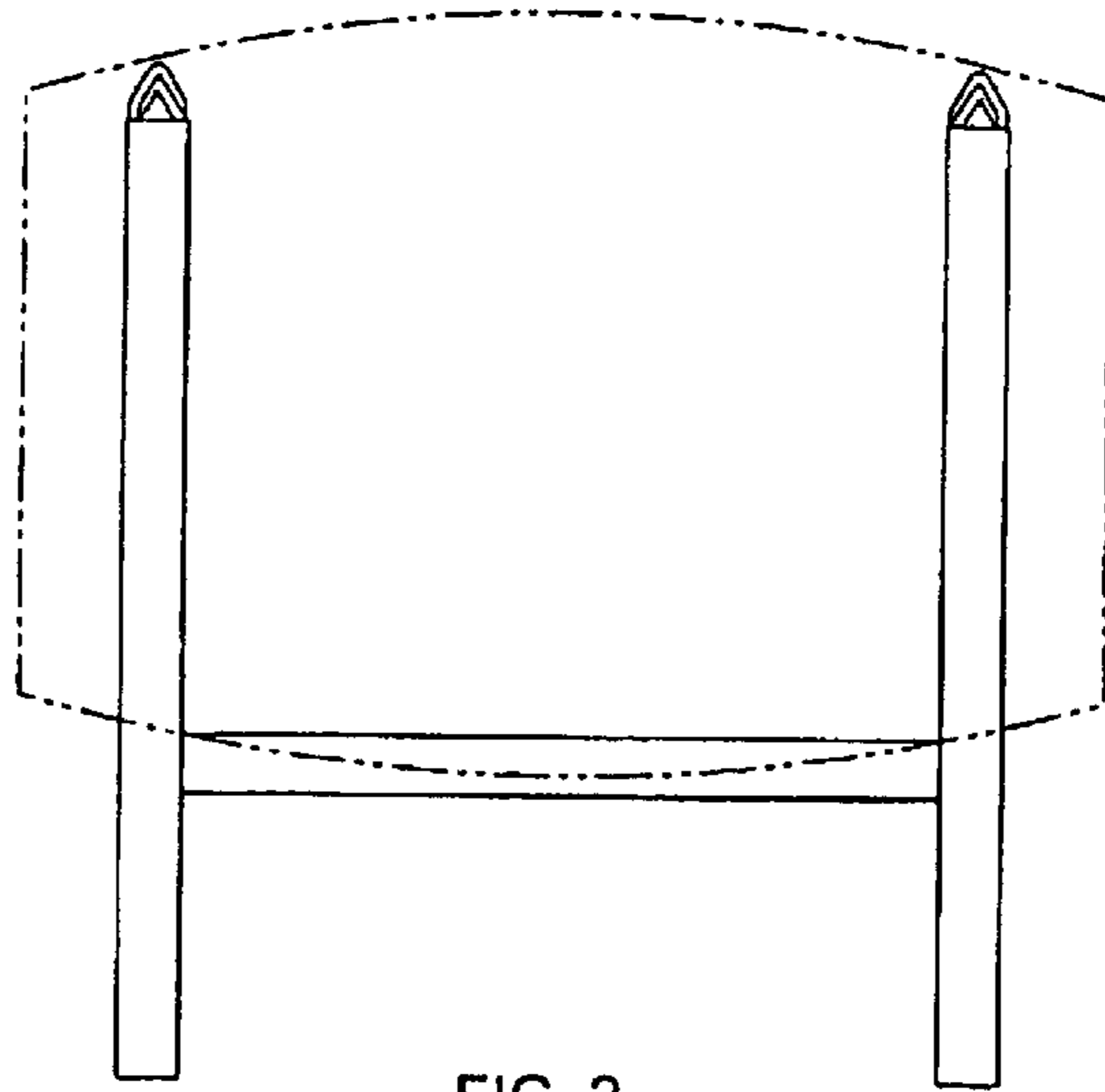


FIG. 2

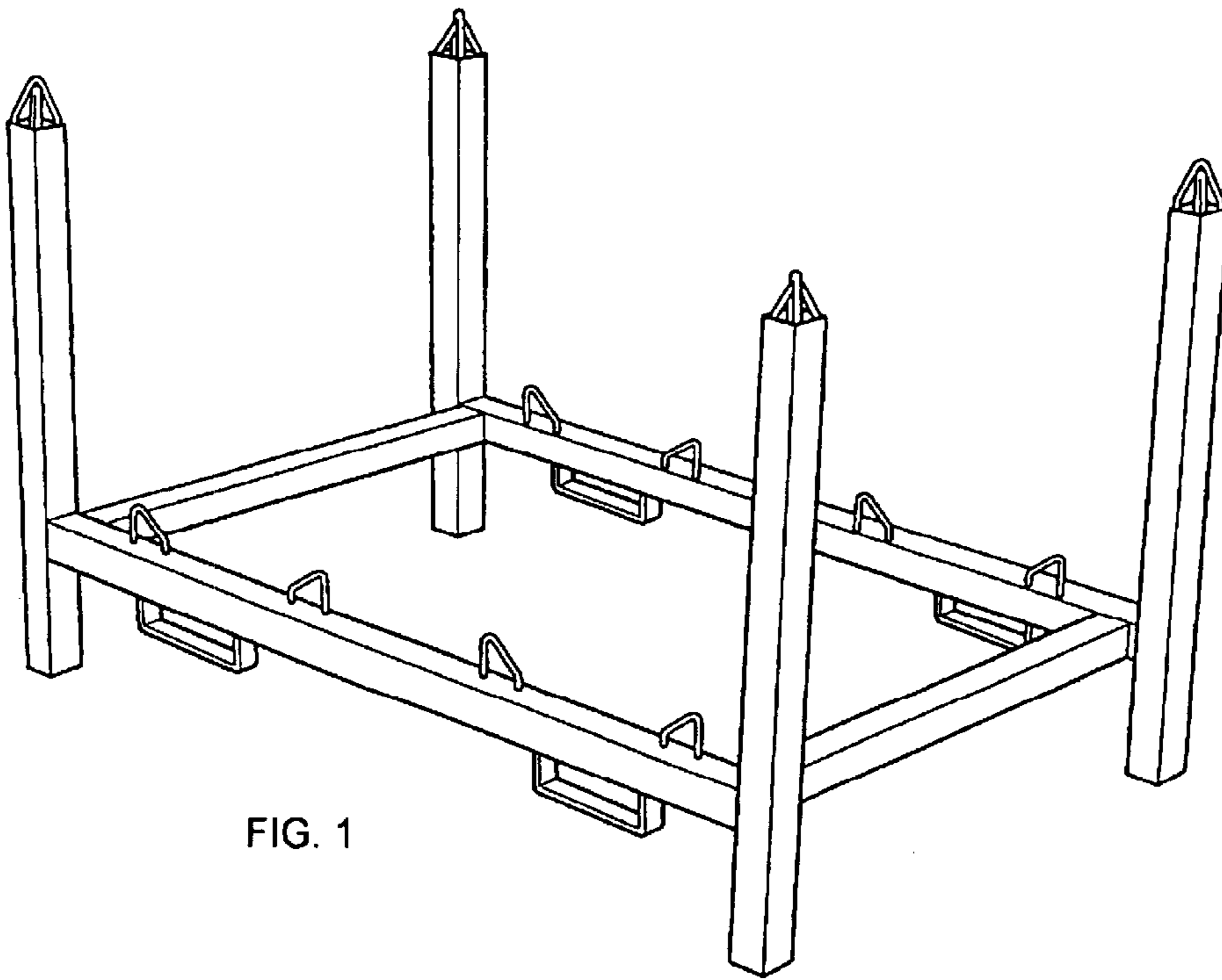


FIG. 1

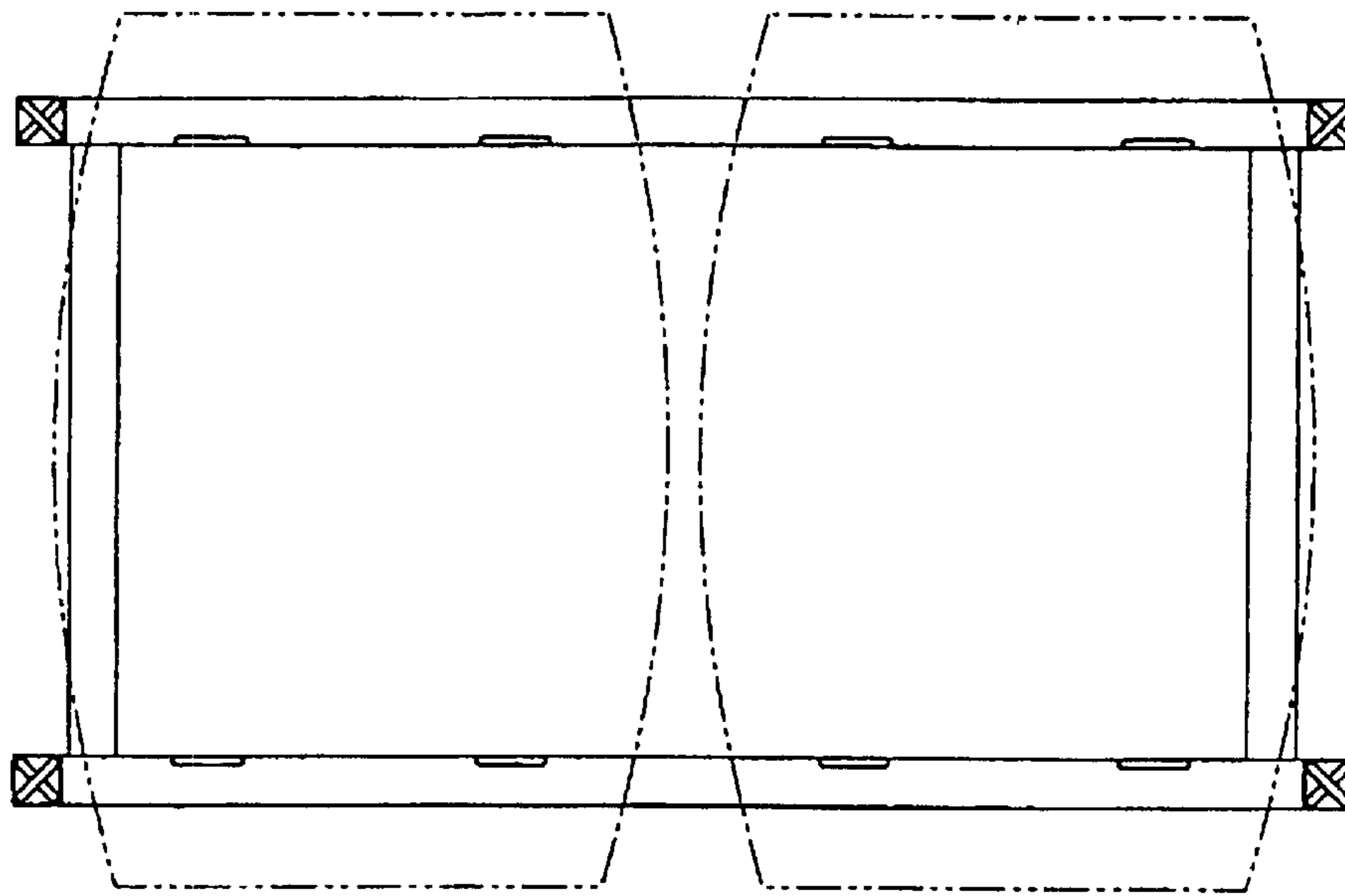


FIG. 4

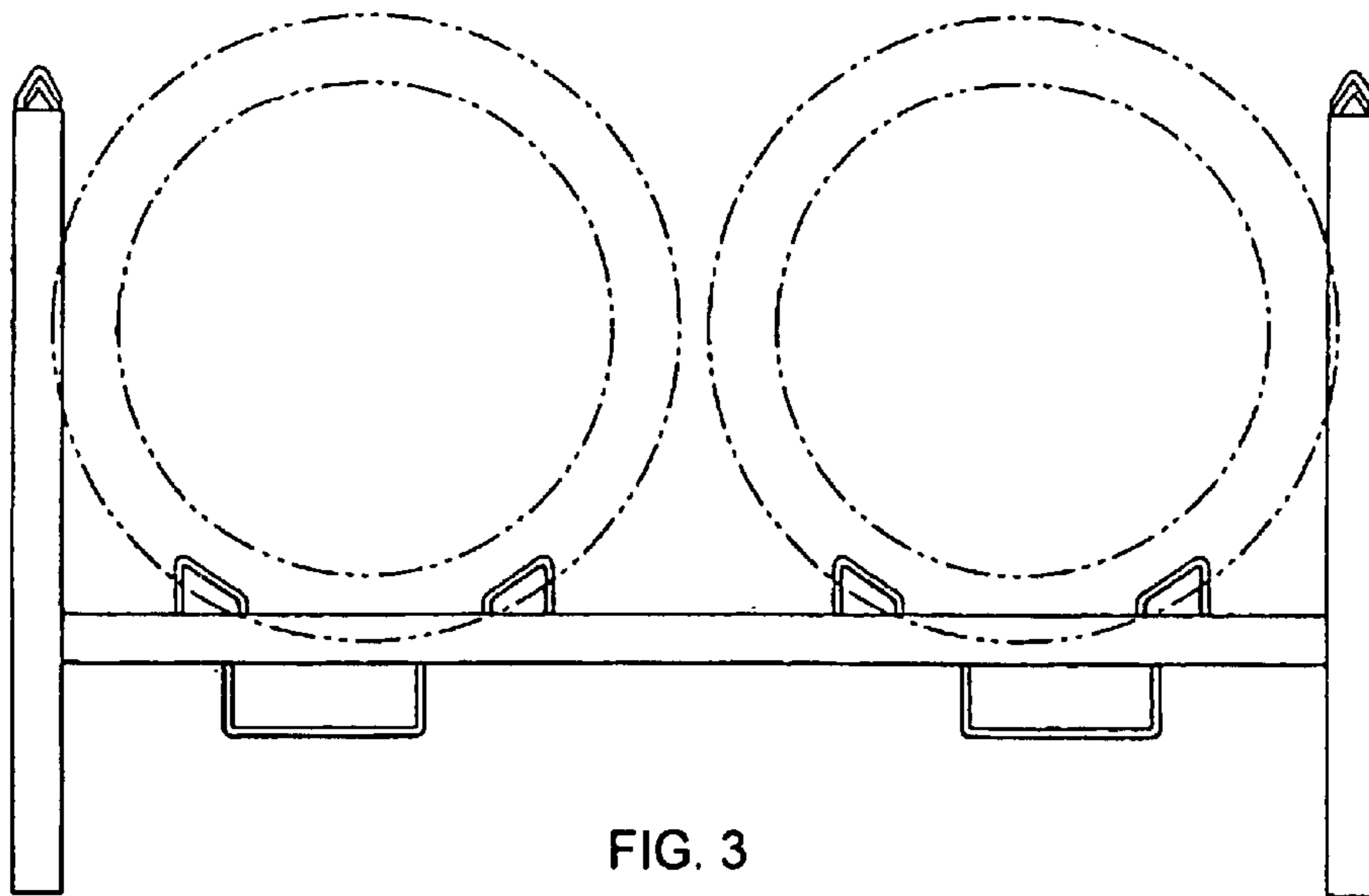


FIG. 3