



US00D541554S

(12) **United States Design Patent** (10) **Patent No.:** **US D541,554 S**
Maitland-Smith (45) **Date of Patent:** **** May 1, 2007**

(54) **DRUM TABLE**

(76) Inventor: **Paul Maitland-Smith**, 23/7 M6
Kamata, Kathu, Waterfall Bay, Phuket
(TH), 83120

(**) Term: **14 Years**

(21) Appl. No.: **29/223,564**

(22) Filed: **Feb. 15, 2005**

(51) **LOC (8) Cl.** **06-03**

(52) **U.S. Cl.** **D6/451**

(58) **Field of Classification Search** D6/480-489,
D6/495, 497, 450, 451; D17/22; 108/153.1,
108/155, 156, 157.1, 161; 248/188, 188.1,
248/188.8

See application file for complete search history.

(56) **References Cited**

U.S. PATENT DOCUMENTS

D16,723 S	*	6/1886	Ernewein	D6/477
1,039,834 A	*	10/1912	Soistmann	84/411 R
D203,784 S	*	2/1966	Weber	D6/450
D216,441 S	*	1/1970	Ross	D17/722
3,533,324 A	*	10/1970	Price	84/411 R
D331,511 S	*	12/1992	Stafford	D6/489
D337,461 S	*	7/1993	Martin	D6/484
D340,254 S	*	10/1993	Yamashita	D17/22
2003/0029301 A1	*	2/2003	Belli	84/411 R

OTHER PUBLICATIONS

American of Martinsville #2614-109 table.*
5012-003 Bronze Occasional Table with Gold Granite Top,
Theodore Alexander brochure, p. 83, 2003.
1622-024 & 1622-029, Drum Table, Theodore Alexander
Supplement brochure, p. 11, 2000.
5021-305, Table, Theodore Alexander Supplement bro-
chure, p. 31, 2000.

* cited by examiner

Primary Examiner—Janice E. Seeger

(74) *Attorney, Agent, or Firm*—Womble Carlyle Sandridge
& Rice, PLLC

(57) **CLAIM**

The ornamental design for a drum table, as shown and
described.

DESCRIPTION

FIG. 1 is a perspective view of a drum table showing my
new design;

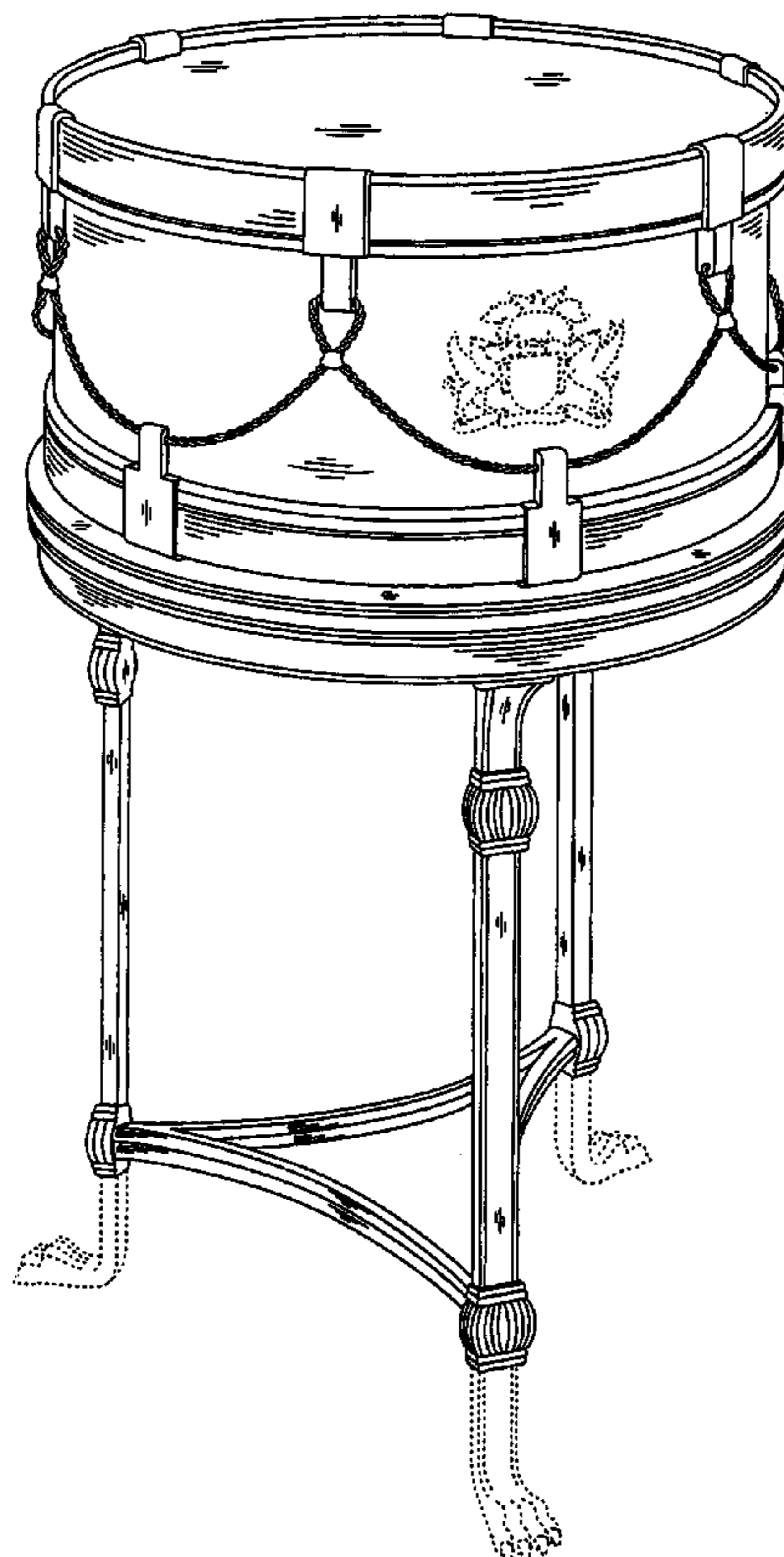
FIG. 2 is a front elevational view thereof;

FIG. 3 is a side elevational view, the opposite side being a
mirror image thereof; and,

FIG. 4 is a top view thereof.

The views of the drum table not shown form no part of the
claimed design. The broken lines depicting ornamentation
and feet represent environmental elements only and form no
part of the claimed design.

1 Claim, 4 Drawing Sheets



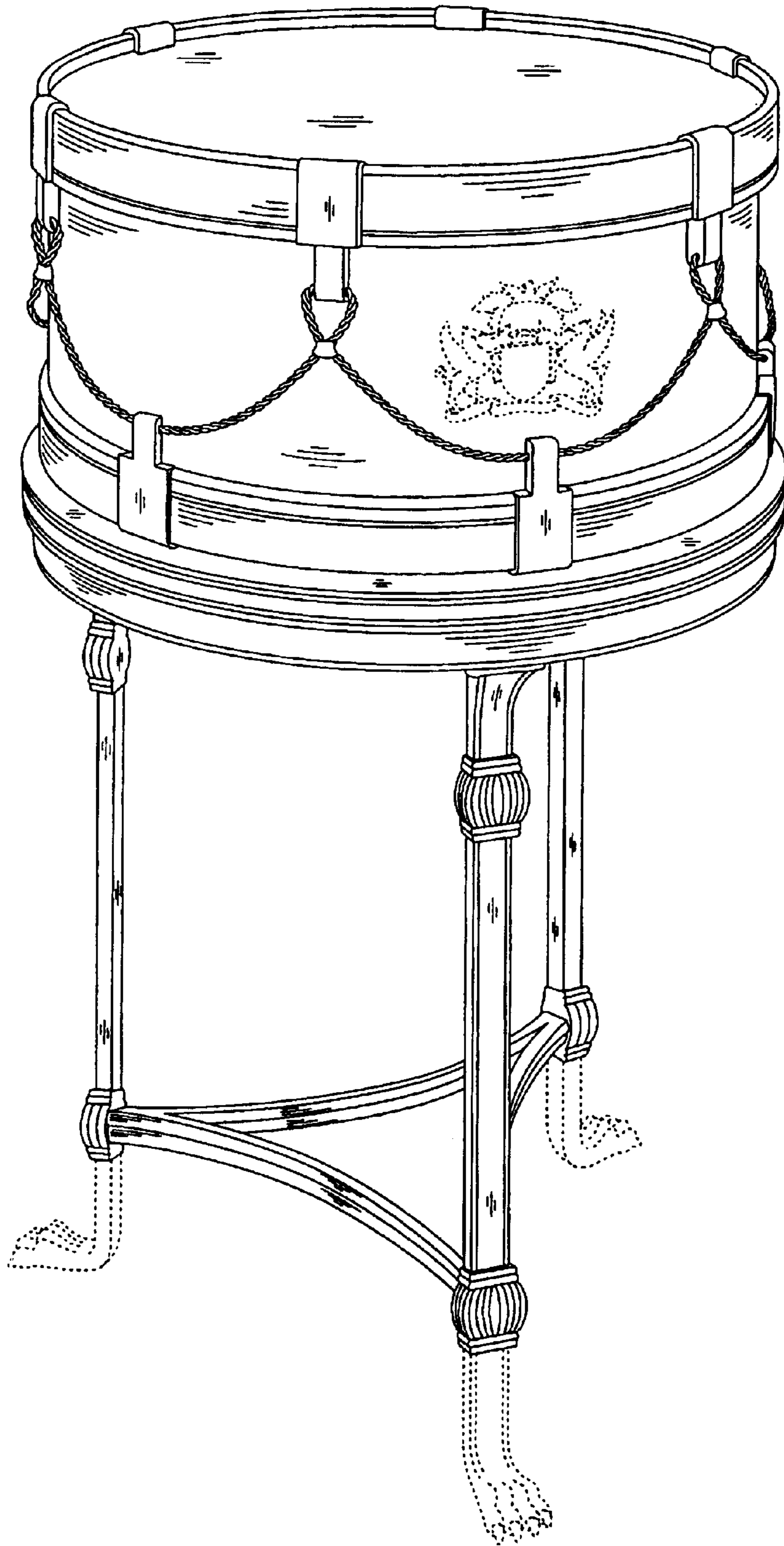


FIG. 1

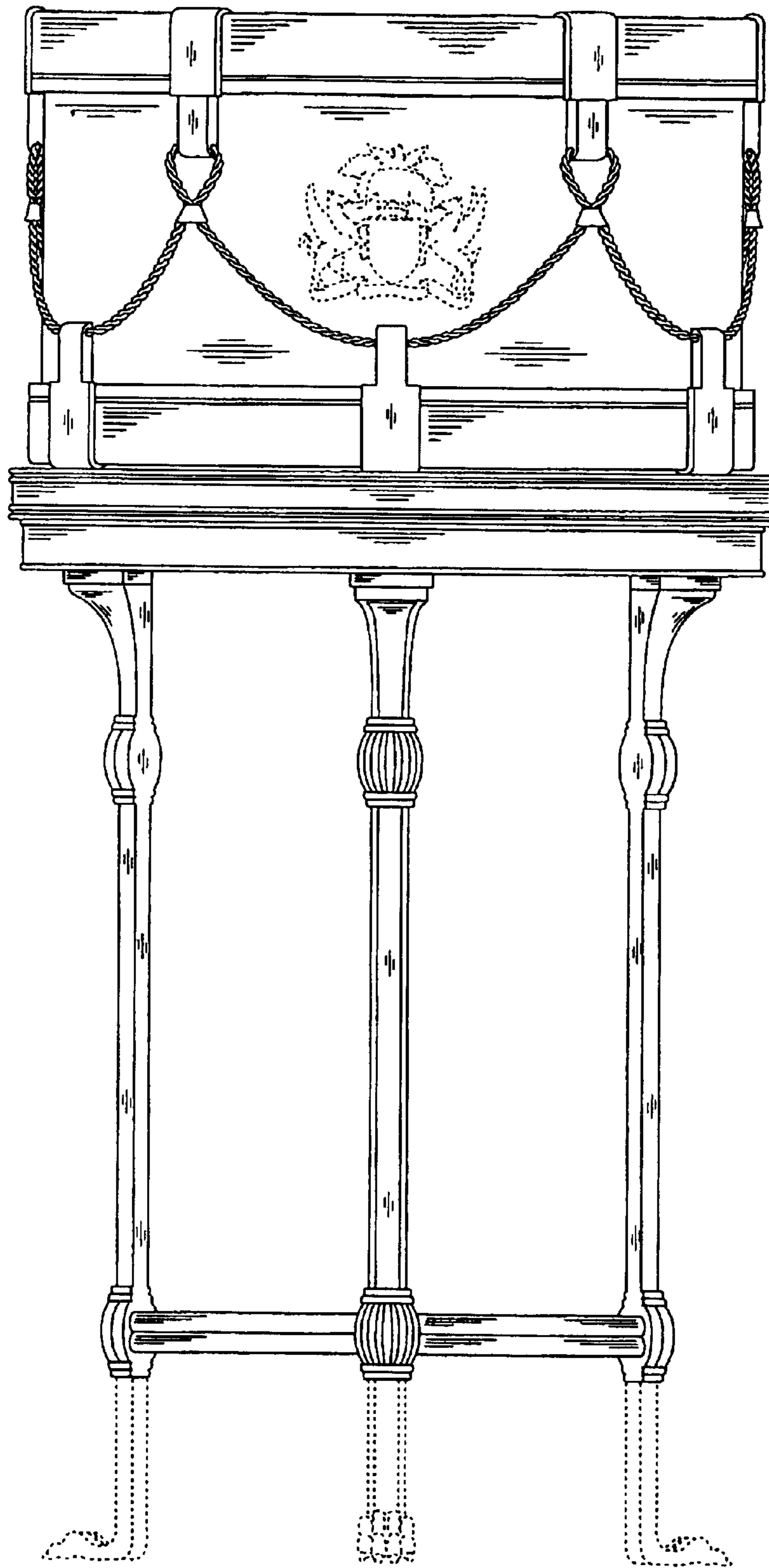


FIG. 2

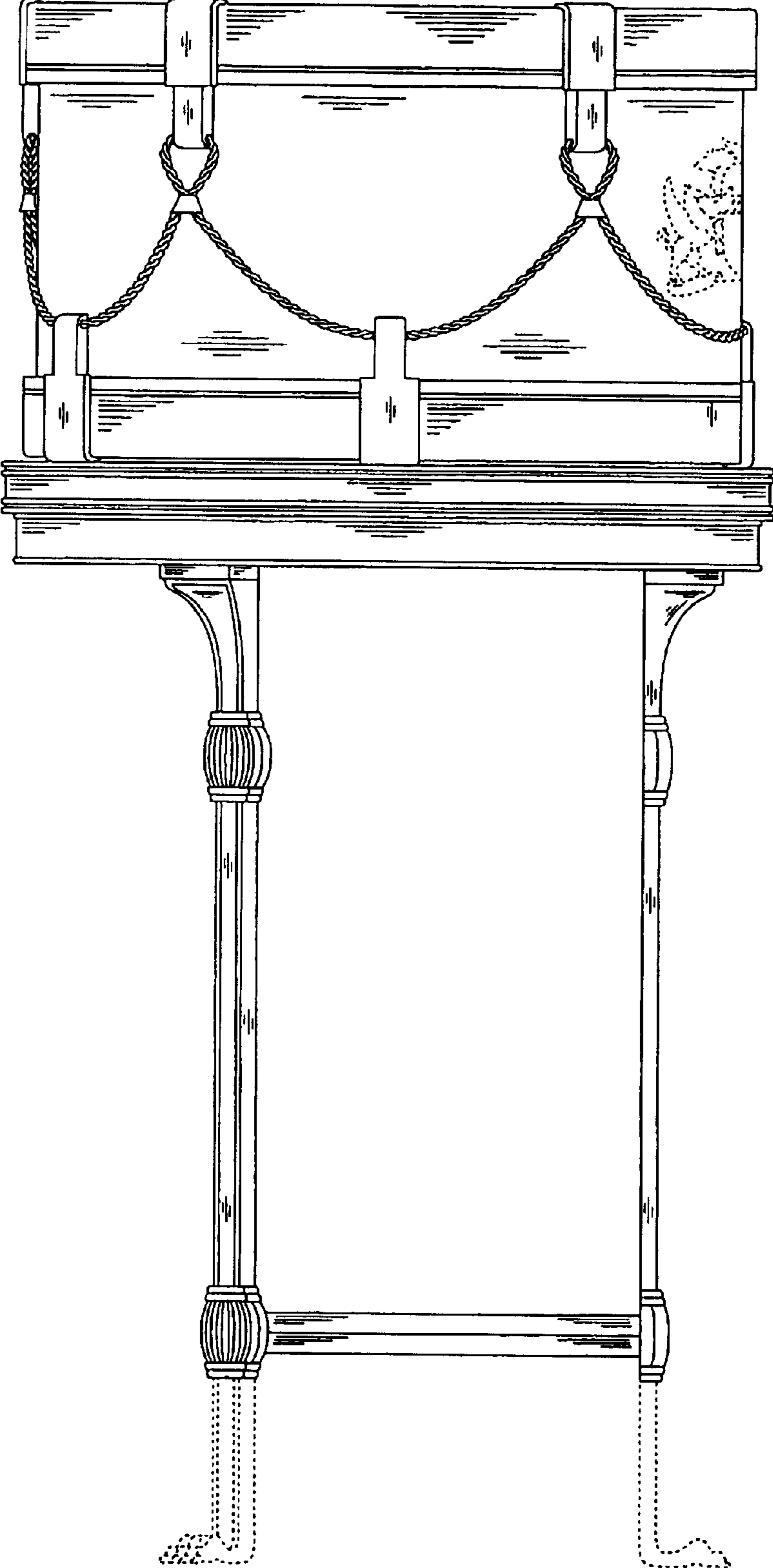


FIG. 3

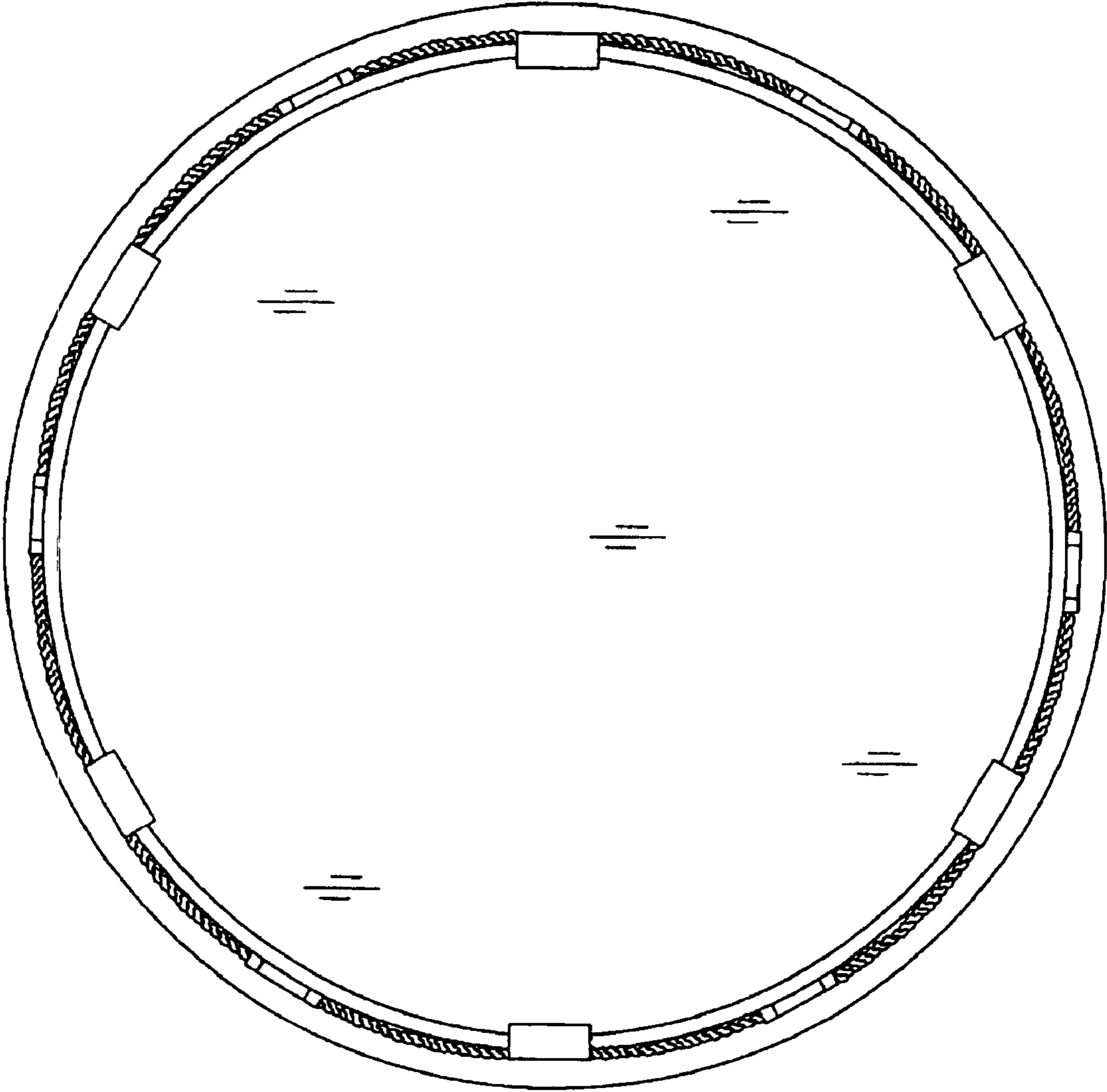


FIG. 4