

US00D541551S

(12) **United States Design Patent**
Stevenson, III

(10) **Patent No.:** **US D541,551 S**

(45) **Date of Patent:** **** May 1, 2007**

(54) **DEVICE FOR SUPPORTING POTTED PLANTS AND FLOWERS**

(76) **Inventor:** **William W. Stevenson, III**, 1313
Idlewood Rd., Wilmington, DE (US)
19805

(**) **Term:** **14 Years**

(21) **Appl. No.:** **29/256,960**

(22) **Filed:** **Mar. 28, 2006**

(51) **LOC (8) Cl.** **11-02**

(52) **U.S. Cl.** **D6/403**

(58) **Field of Classification Search** D6/403,
D6/404, 556-558; D7/515, 518, 521, 523,
D7/549, 554.3, 562, 564; D11/143-149, 152-156;
D19/77, 80-82, 84, 85; D26/9, 16; 47/32.7,
47/33, 39, 41.01, 41.1, 41.12-41.15, 44-47,
47/65.5, 66.1, 66.6, 66.7, 67-71

See application file for complete search history.

(56) **References Cited**

U.S. PATENT DOCUMENTS

D202,209 S * 9/1965 Meyers et al. D26/10
D259,870 S * 7/1981 Marantette D11/143
D346,764 S * 5/1994 Sellers D11/143

D399,787 S * 10/1998 Wagner D6/403
6,125,579 A * 10/2000 Pavelka 47/79
D485,208 S * 1/2004 Fan D11/143
6,766,615 B2 * 7/2004 Smead 47/71
7,024,818 B2 * 4/2006 Maniscalco et al. 47/65.6

* cited by examiner

Primary Examiner—Robert M. Spear

Assistant Examiner—Garth Rademaker

(74) *Attorney, Agent, or Firm*—Edell, Shapiro & Finnan,
LLC

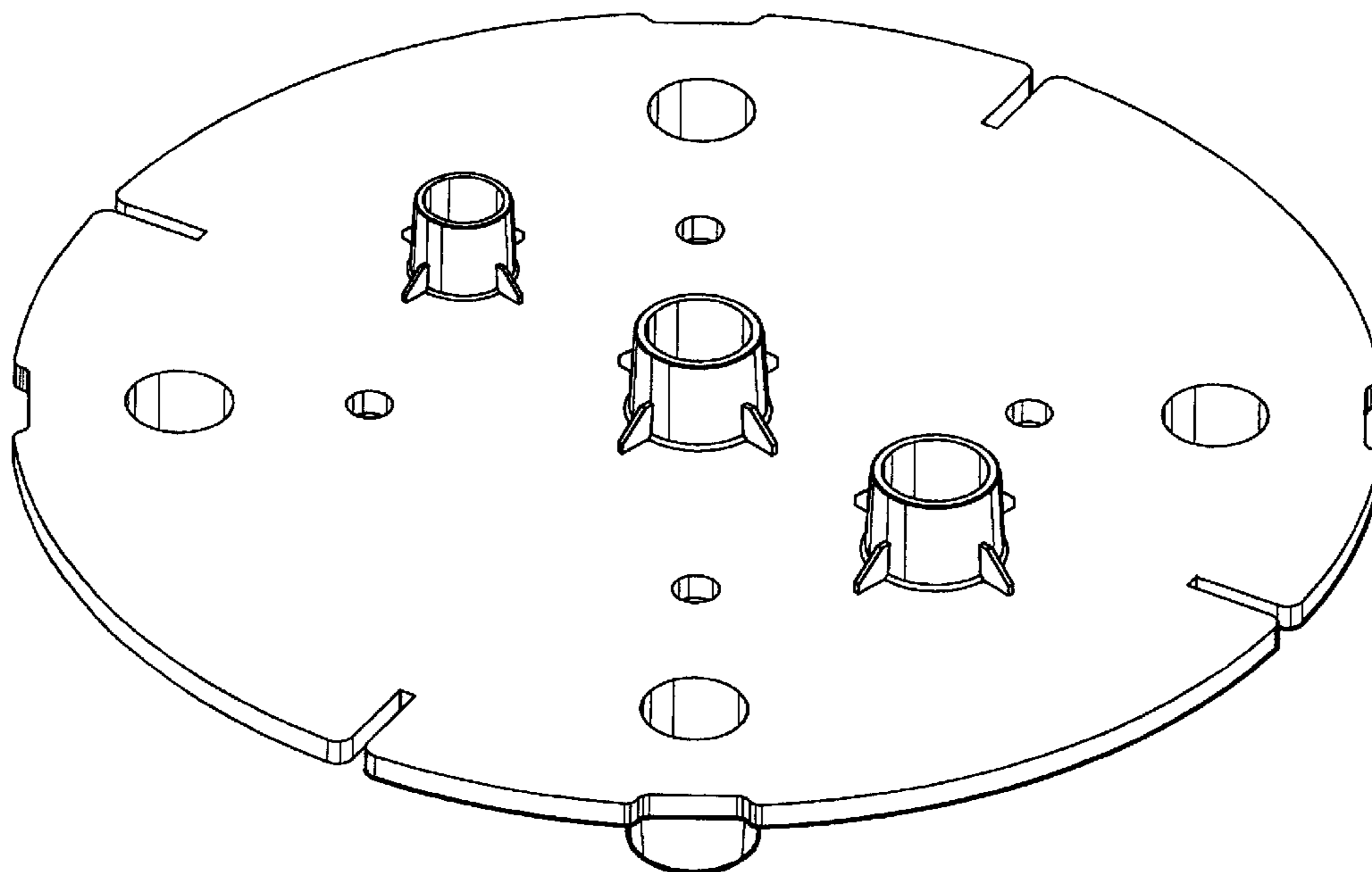
(57) **CLAIM**

The ornamental design for a device for supporting potted plants and flowers, as shown and described.

DESCRIPTION

FIG. 1 is a top perspective view of a device for supporting potted plants and flowers according to the present invention; FIG. 2 is a top plan view thereof, shown at a reduced scale; FIG. 3 is a bottom plan thereof; FIG. 4 is a rear elevational view thereof, shown at an enlarged scale; FIG. 5 is a front elevational view thereof; FIG. 6 is left side elevational view thereof; and, FIG. 7 is a right side elevational view thereof.

1 Claim, 3 Drawing Sheets



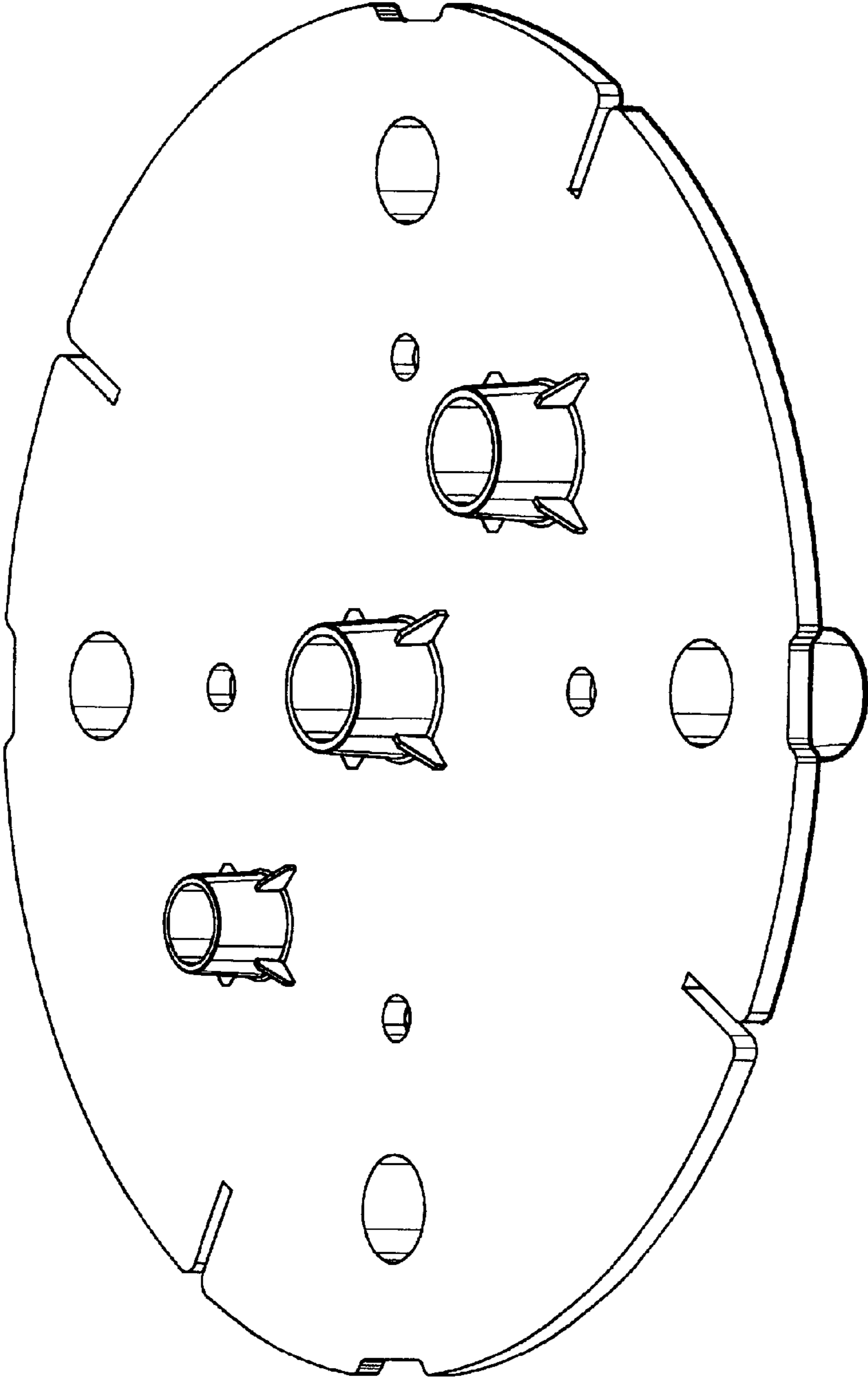


FIG.1

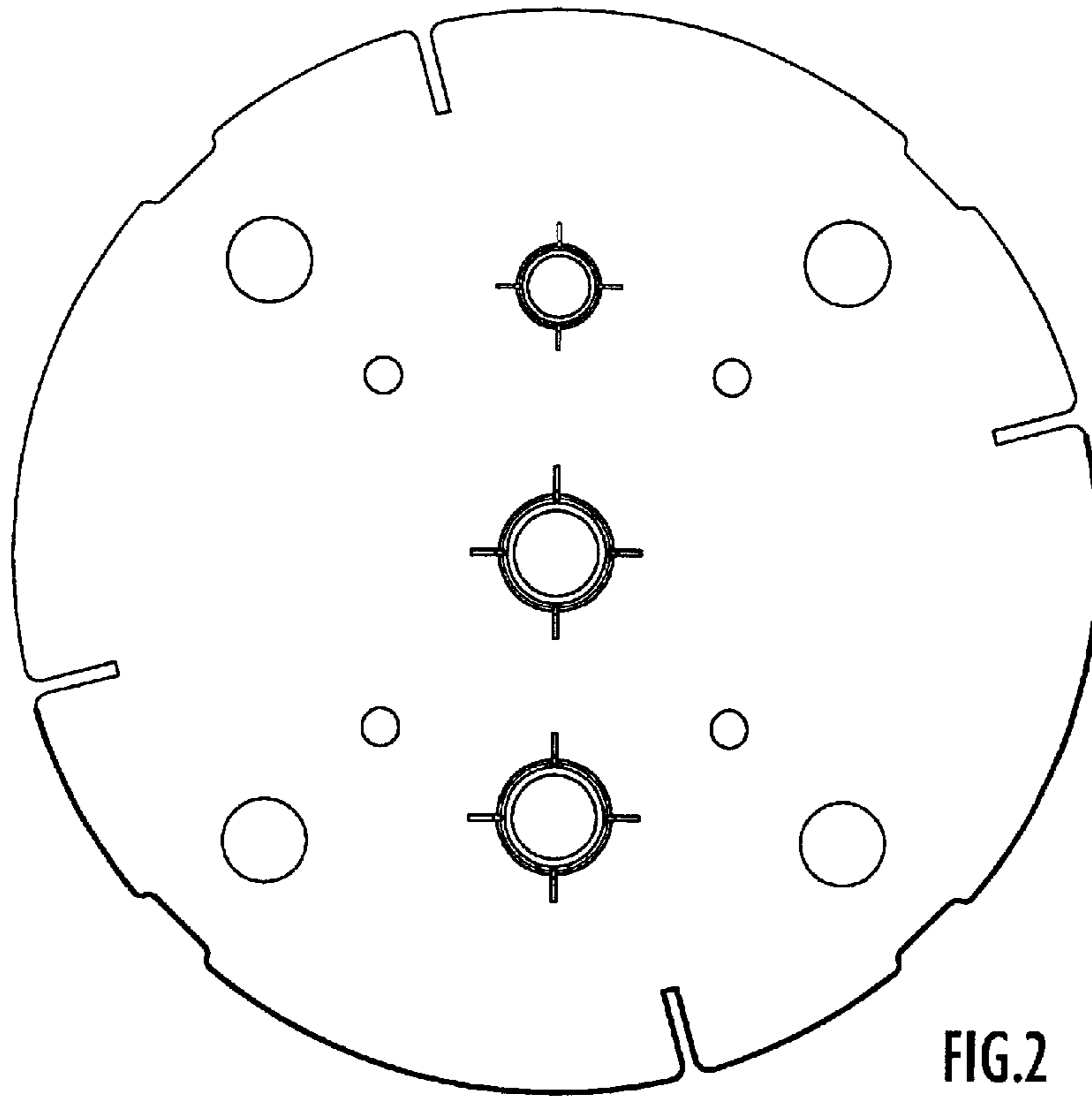


FIG.2

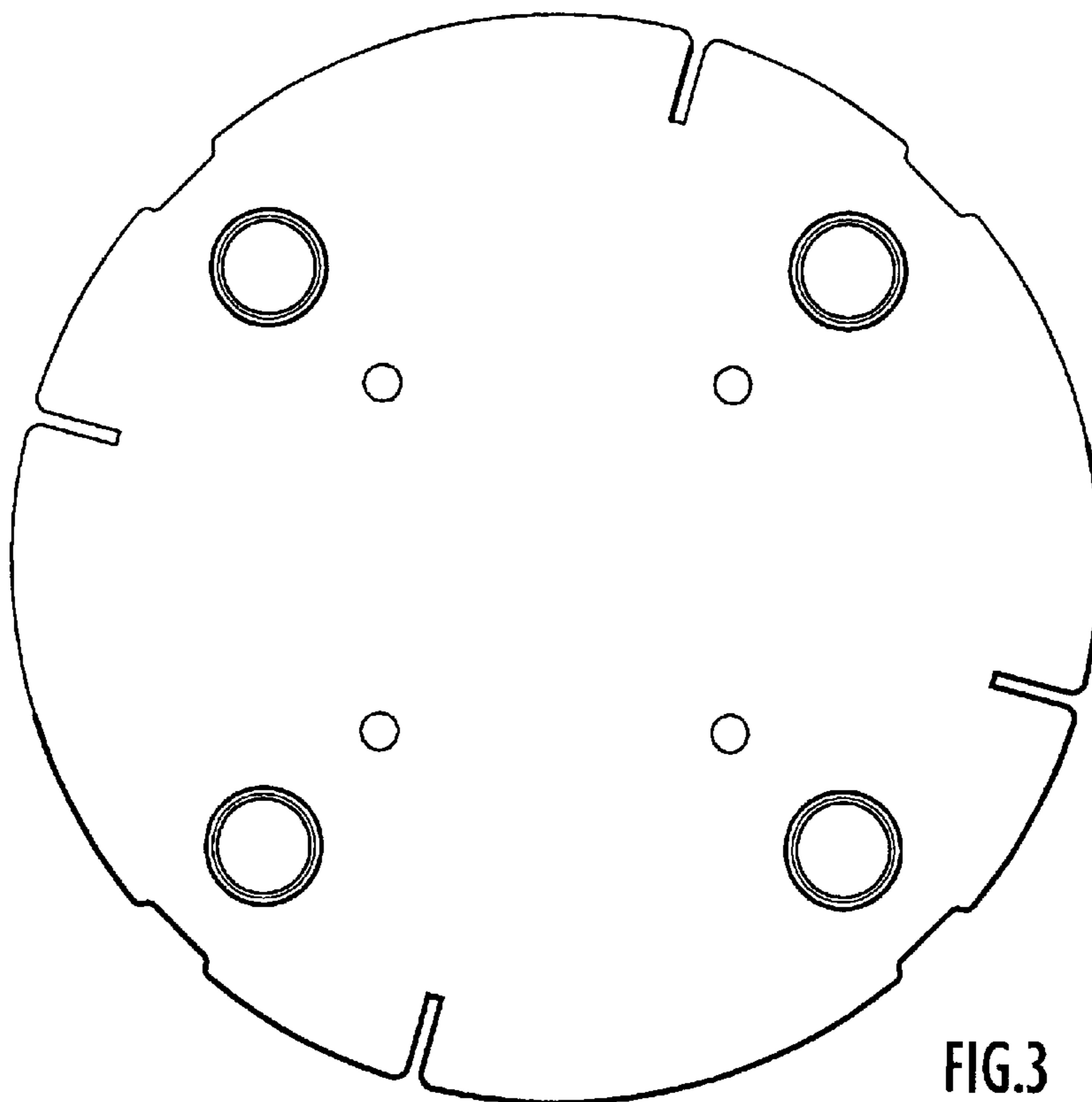


FIG.3

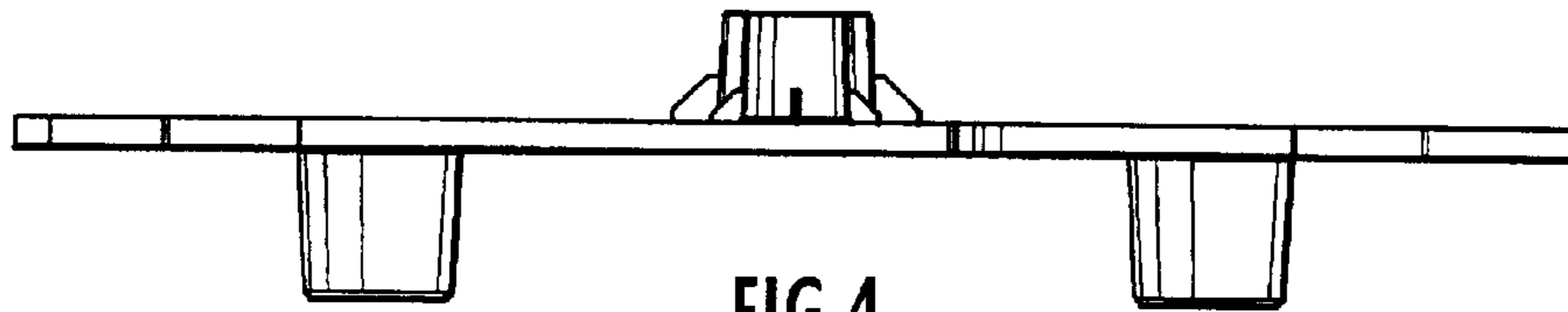


FIG. 4

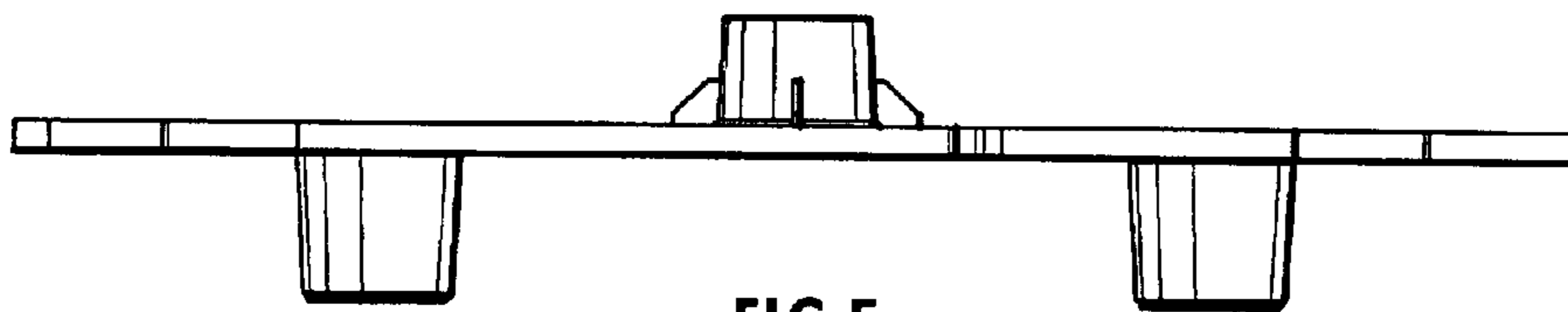


FIG. 5

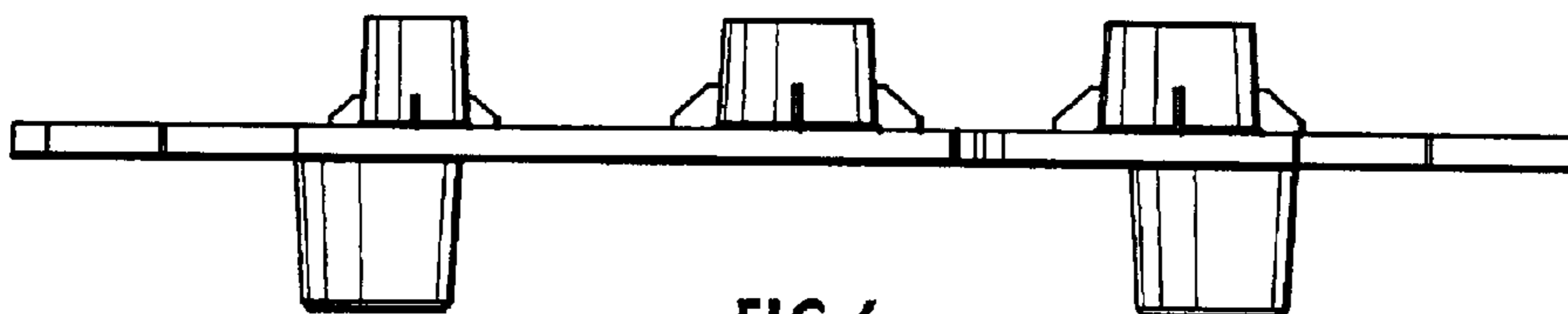


FIG. 6

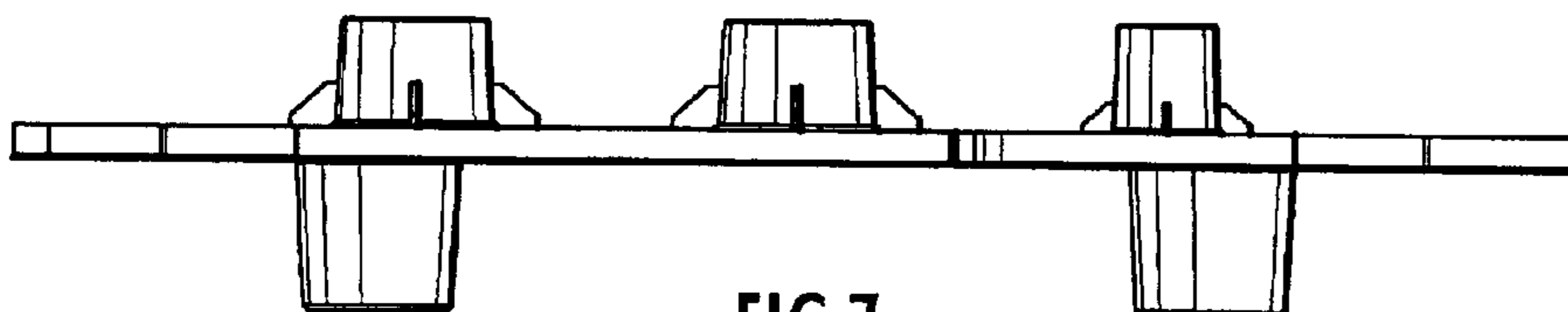


FIG. 7