



US00D541549S

(12) **United States Design Patent**
Ng et al.

(10) **Patent No.:** **US D541,549 S**

(45) **Date of Patent:** **** May 1, 2007**

(54) **SQUARE PUZZLE TABLE SET**

(75) Inventors: **Edward Ng**, 931 Massachusetts Ave.,
Suite 604, Cambridge, MA (US) 02139;
Achyut Kantawala, Cambridge, MA
(US)

(73) Assignee: **Edward Ng**, Cambridge, MA (US)

(**) Term: **14 Years**

(21) Appl. No.: **29/222,652**

(22) Filed: **Feb. 2, 2005**

(51) **LOC (8) Cl.** **06-03**

(52) **U.S. Cl.** **D6/397; D6/480; D21/480**

(58) **Field of Classification Search** D21/312-397,
D21/398, 404, 405, 468, 470, 475, 478-480,
D21/519, 522; D6/384, 396, 397, 429, 449,
D6/458, 462, 466, 475, 476, 480-490; D19/59,
D19/61; 446/69, 71, 75, 85, 118, 482; 273/148 R,
273/148 A, 309, 294, 153 R, 156, 157 R;
108/11, 14, 25, 26-28, 50.11, 144.11, 147.19,
108/151, 153.1, 154-156, 157.1, 156.16,
108/159, 158.11, 158.12; 434/128, 393, 403,
434/429, 432

See application file for complete search history.

(56) **References Cited**

U.S. PATENT DOCUMENTS

2,418,514 A	*	4/1947	Lamberson	273/309
D152,160 S	*	12/1948	Klotz	D21/397
2,490,649 A	*	12/1949	Polis	273/309
2,871,489 A	*	2/1959	Emmert	5/114
2,981,579 A	*	4/1961	Shwayder et al.	108/27

3,174,893 A	*	3/1965	Church et al.	108/161
4,026,559 A	*	5/1977	Carlton	273/157 R
4,111,425 A	*	9/1978	Lathrop	273/157 R
4,484,745 A	*	11/1984	Sleeper	273/157 R
D357,149 S	*	4/1995	Uselman	D6/511
D382,734 S	*	8/1997	Hartman, Sr.	D21/397
D519,746 S	*	5/2006	Ng et al.	D6/397
2003/0067114 A1	*	4/2003	Morioka	273/157 R

* cited by examiner

Primary Examiner—Catherine Tuttle

(57) **CLAIM**

The ornamental design for the square puzzle table set, as shown and described.

DESCRIPTION

FIG. 1 is a top perspective view showing the table, puzzle pieces and short leg elements of our new design for a square puzzle table set in an assembled state;

FIG. 2 is a top plan view of the puzzle piece elements of the set in a separated state, the bottom plan view being a mirror image;

FIG. 3 is a perspective view of FIG. 2;

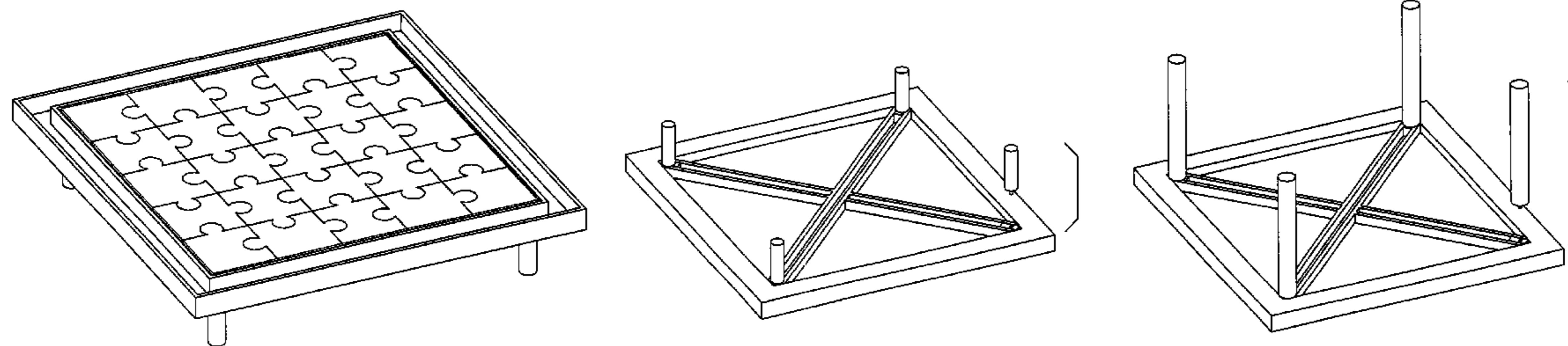
FIG. 4 is a bottom perspective view of the table and short leg elements of the set, showing one leg detached;

FIG. 5 is a bottom perspective view of the table and long leg elements of the set, showing one leg detached;

FIG. 6 is a top perspective view showing the table, puzzle pieces and long leg elements of the set with some of the puzzles pieces removed; and,

FIG. 7 is a top perspective view showing the table and long leg elements with all the puzzle pieces removed in order to disclose the underlying table top configuration.

1 Claim, 2 Drawing Sheets



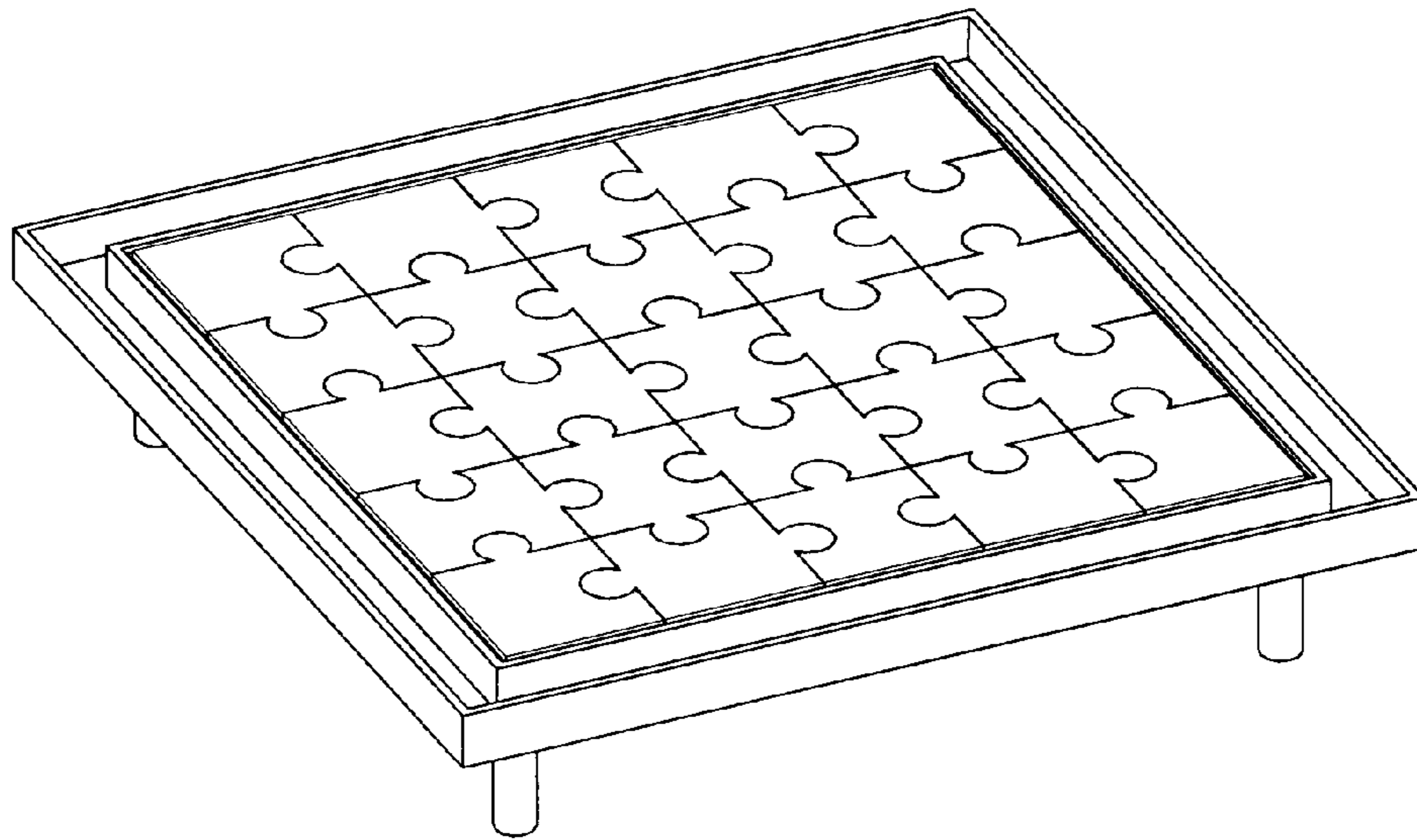


Fig. 1



Fig. 2

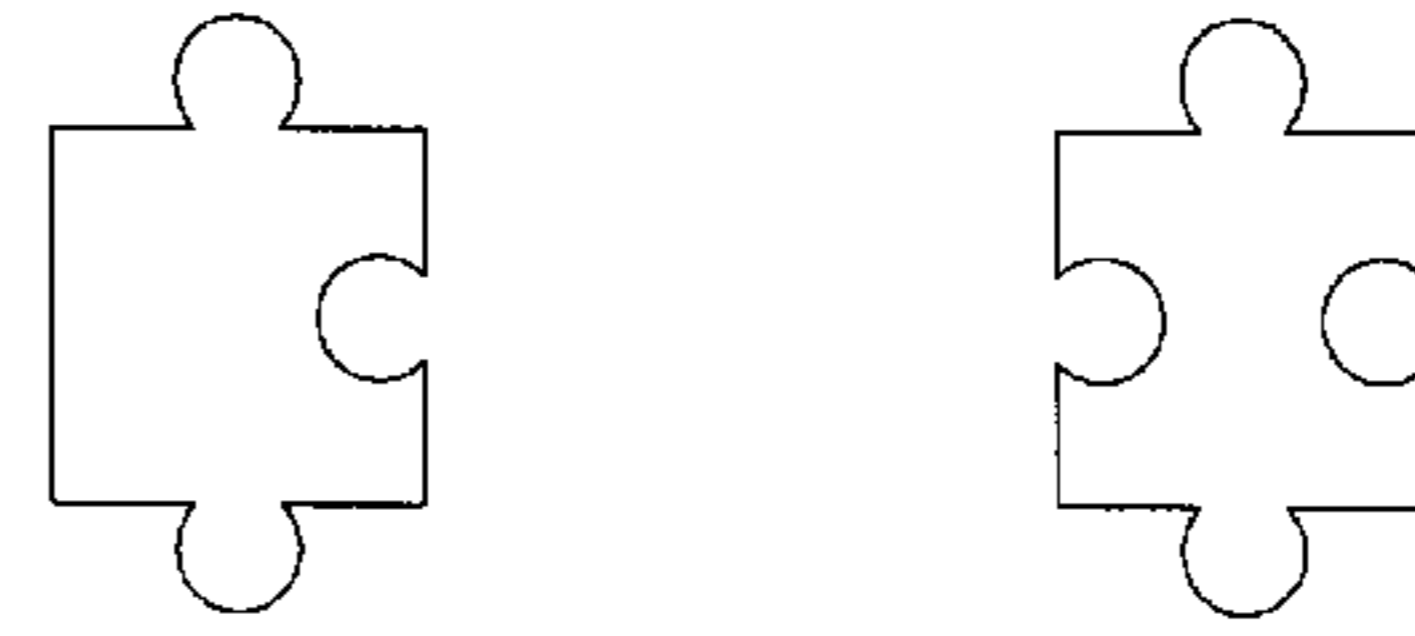


Fig. 3

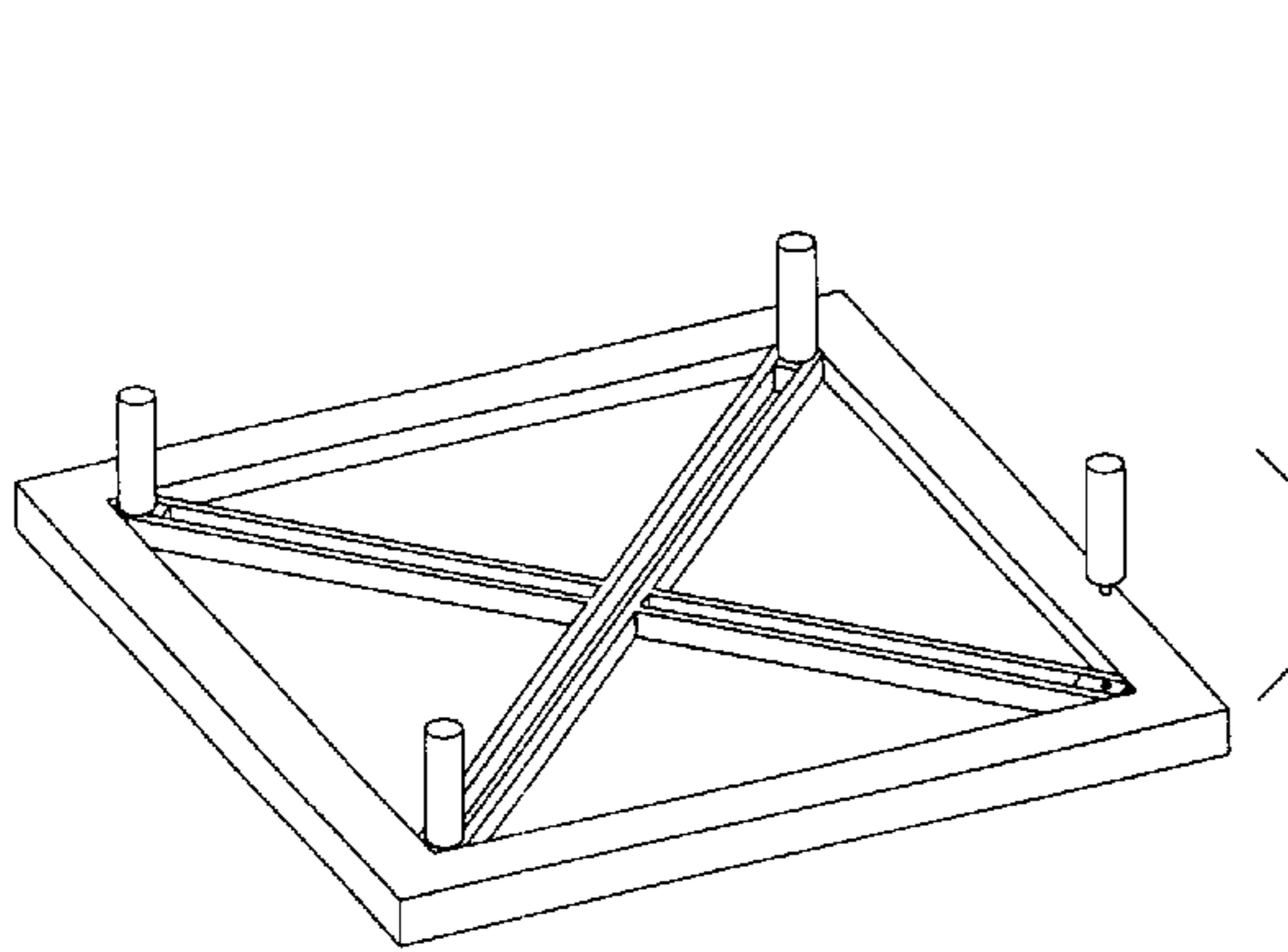


Fig. 4

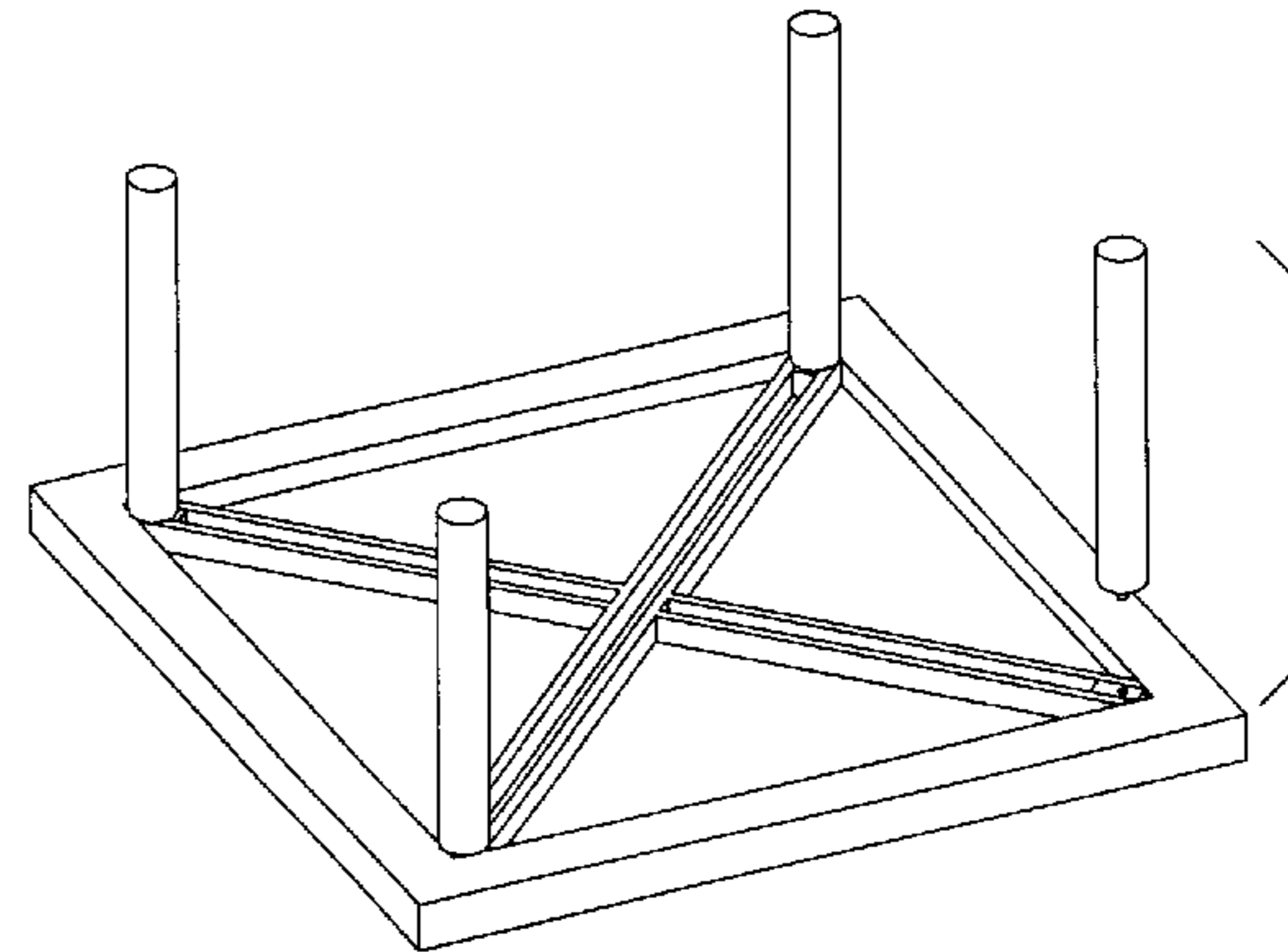


Fig. 5

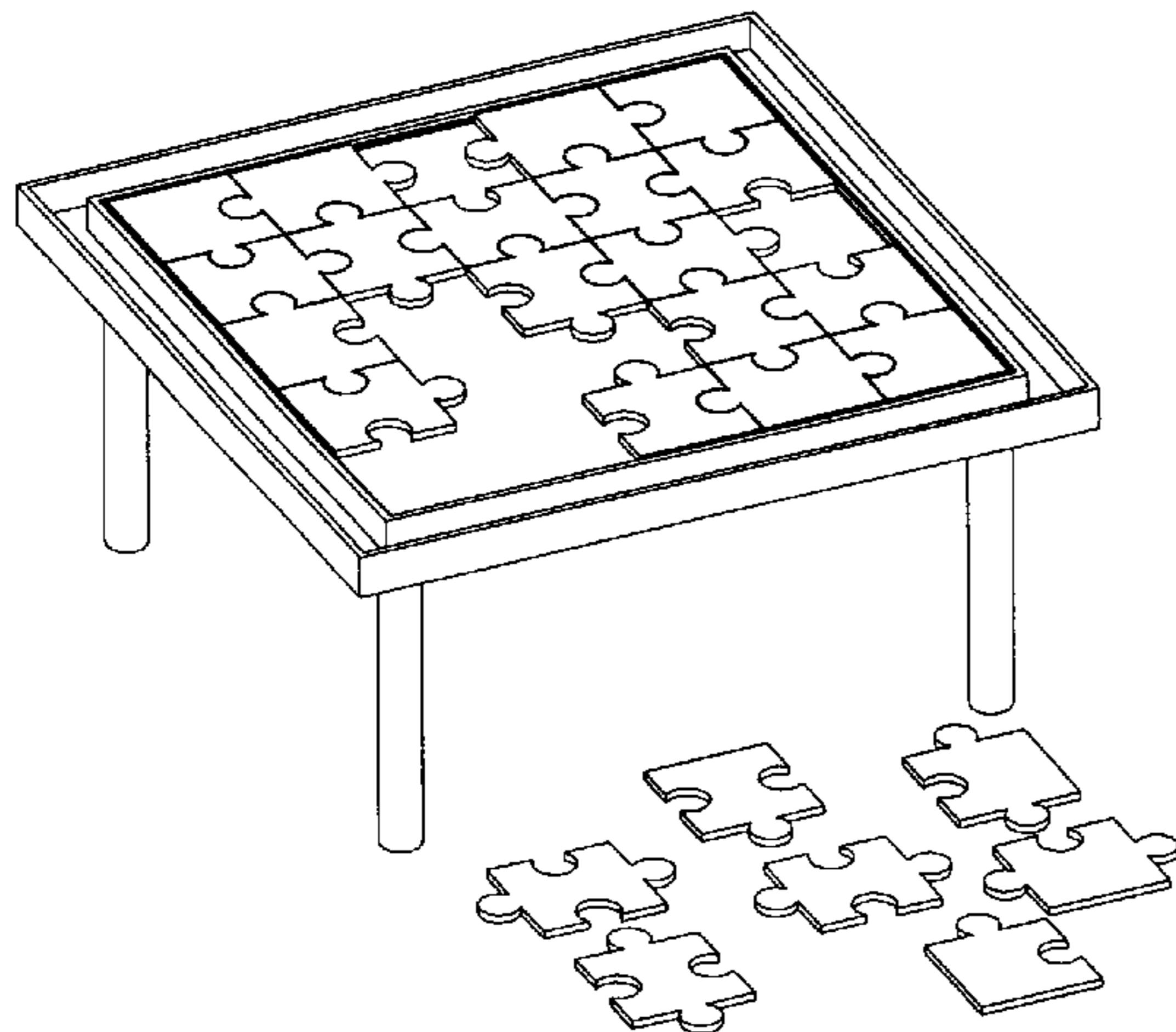


Fig. 6

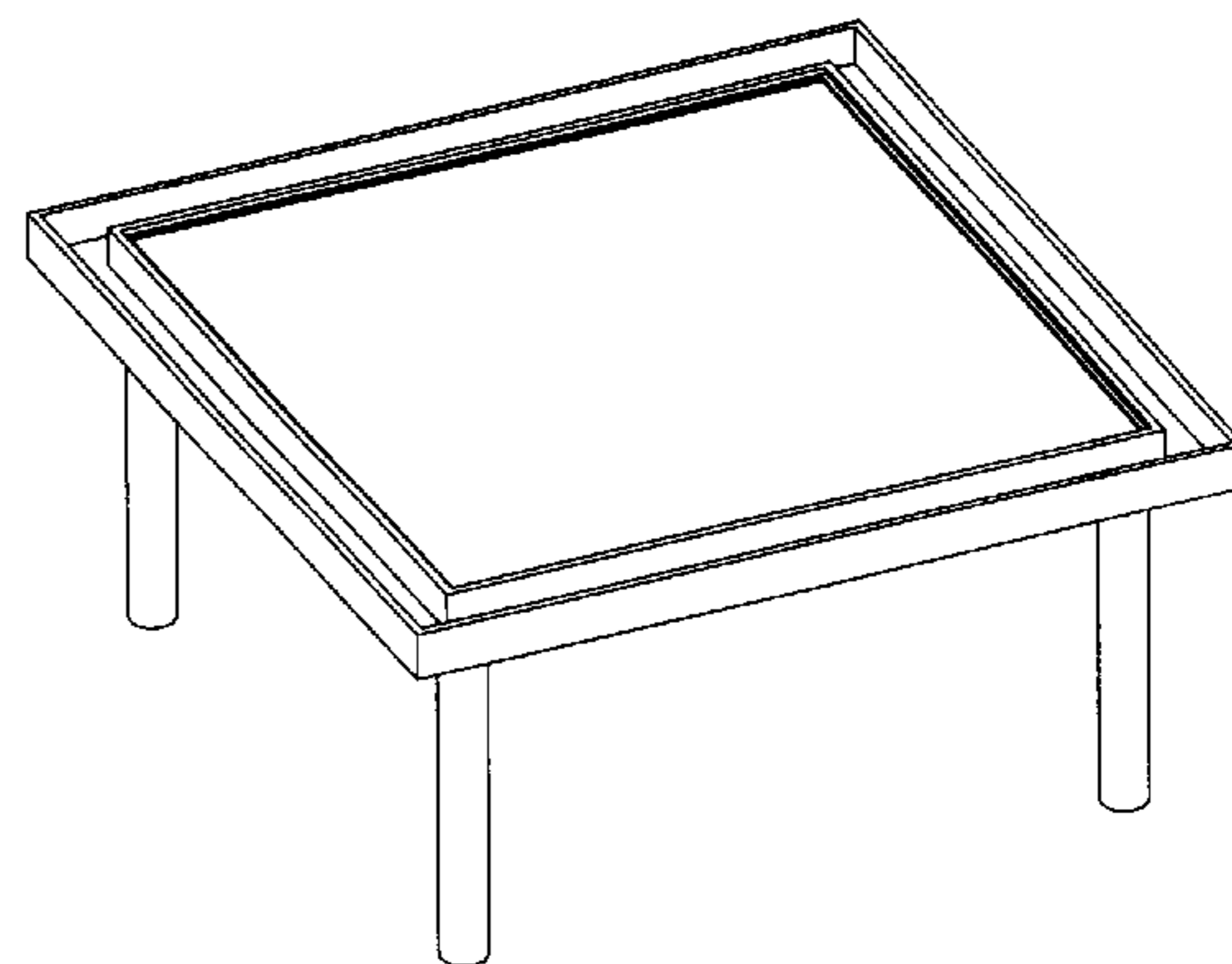


Fig. 7