



US00D541548S

(12) **United States Design Patent**  
**Juneau**

(10) **Patent No.:** **US D541,548 S**

(45) **Date of Patent:** **\*\* May 1, 2007**

(54) **BED**

(75) **Inventor:** **Alain Juneau**, St-Jean-Chrysostome  
(CA)

(73) **Assignee:** **Baronet, Inc.** (CA)

(\*\*) **Term:** **14 Years**

(21) **Appl. No.:** **29/227,205**

(22) **Filed:** **Apr. 7, 2005**

(51) **LOC (8) Cl.** ..... **06-06**

(52) **U.S. Cl.** ..... **D6/393**

(58) **Field of Classification Search** ..... D6/382-384,  
D6/388, 393-395, 505-508; 5/53.1, 907,  
5/279.1, 280, 281

See application file for complete search history.

(56) **References Cited**

**U.S. PATENT DOCUMENTS**

D164,058 S	*	7/1951	Perry	.....	D6/393
D417,973 S		12/1999	Lacroix et al.		
D450,471 S	*	11/2001	Dordoni	.....	D6/393
D495,519 S	*	9/2004	Magistretti	.....	D6/384

**OTHER PUBLICATIONS**

Mettaviosu Casa Insieme Identikit, Cappellini bed.\*  
U.S. Patent Application of Alain Juneau and Ivan Lacroix;  
U.S. Appl. No. 29/202,465; filed Mar. 31, 2004; entitled  
"BED".

\* cited by examiner

*Primary Examiner*—Janice E. Seeger

(74) *Attorney, Agent, or Firm*—SAIDMAN DesignLaw  
Group

(57) **CLAIM**

The ornamental design for a bed, as shown and described.

**DESCRIPTION**

FIG. 1 is a front perspective view of a bed showing my new  
design;

FIG. 2 is a rear perspective view thereof;

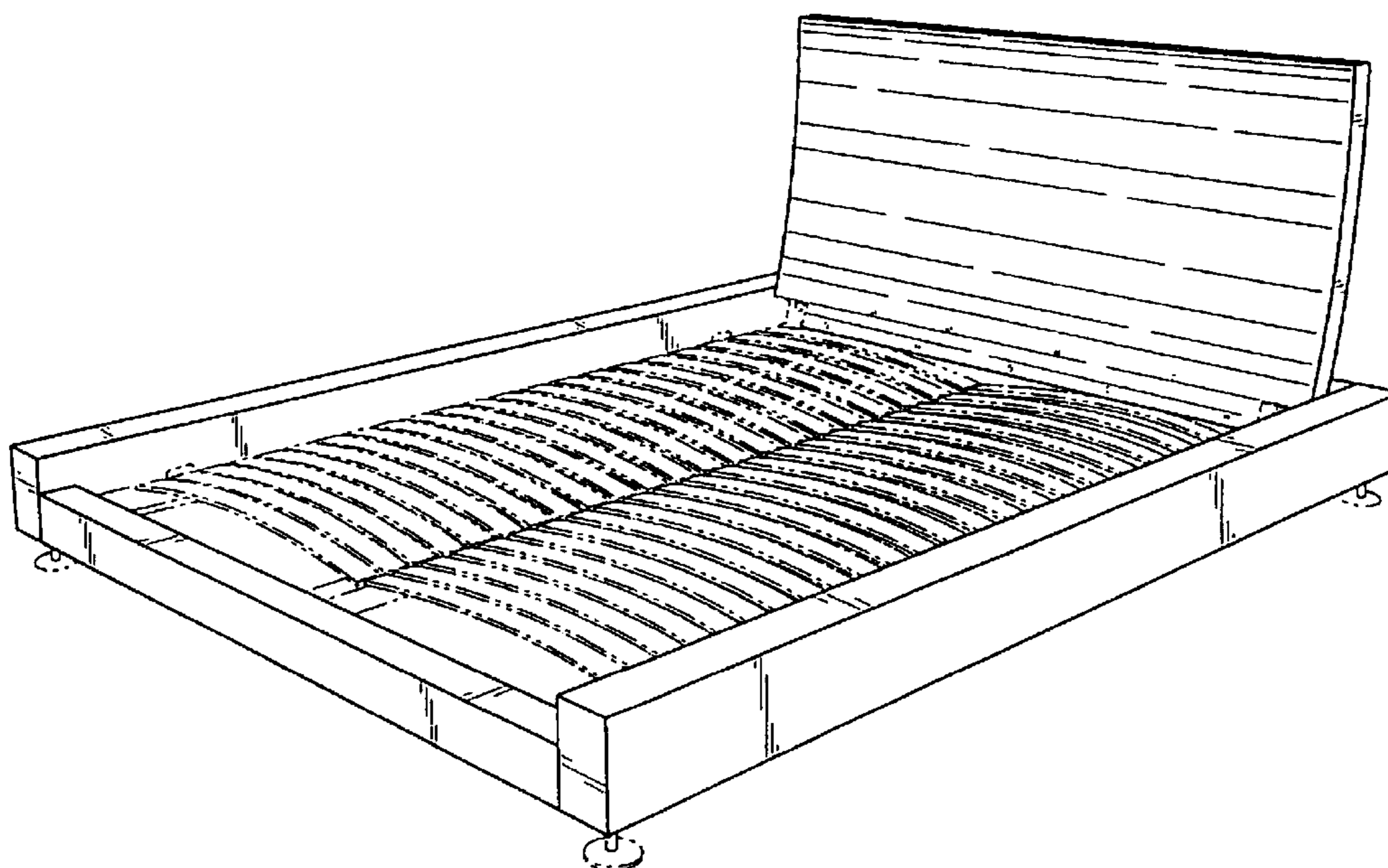
FIG. 3 is a front view thereof;

FIG. 4 is a rear view thereof; and,

FIG. 5 is a right-side view thereof, the left-side view being  
a mirror image.

The broken line showing in the drawing are illustrative and  
form no part of the claimed design.

**1 Claim, 4 Drawing Sheets**



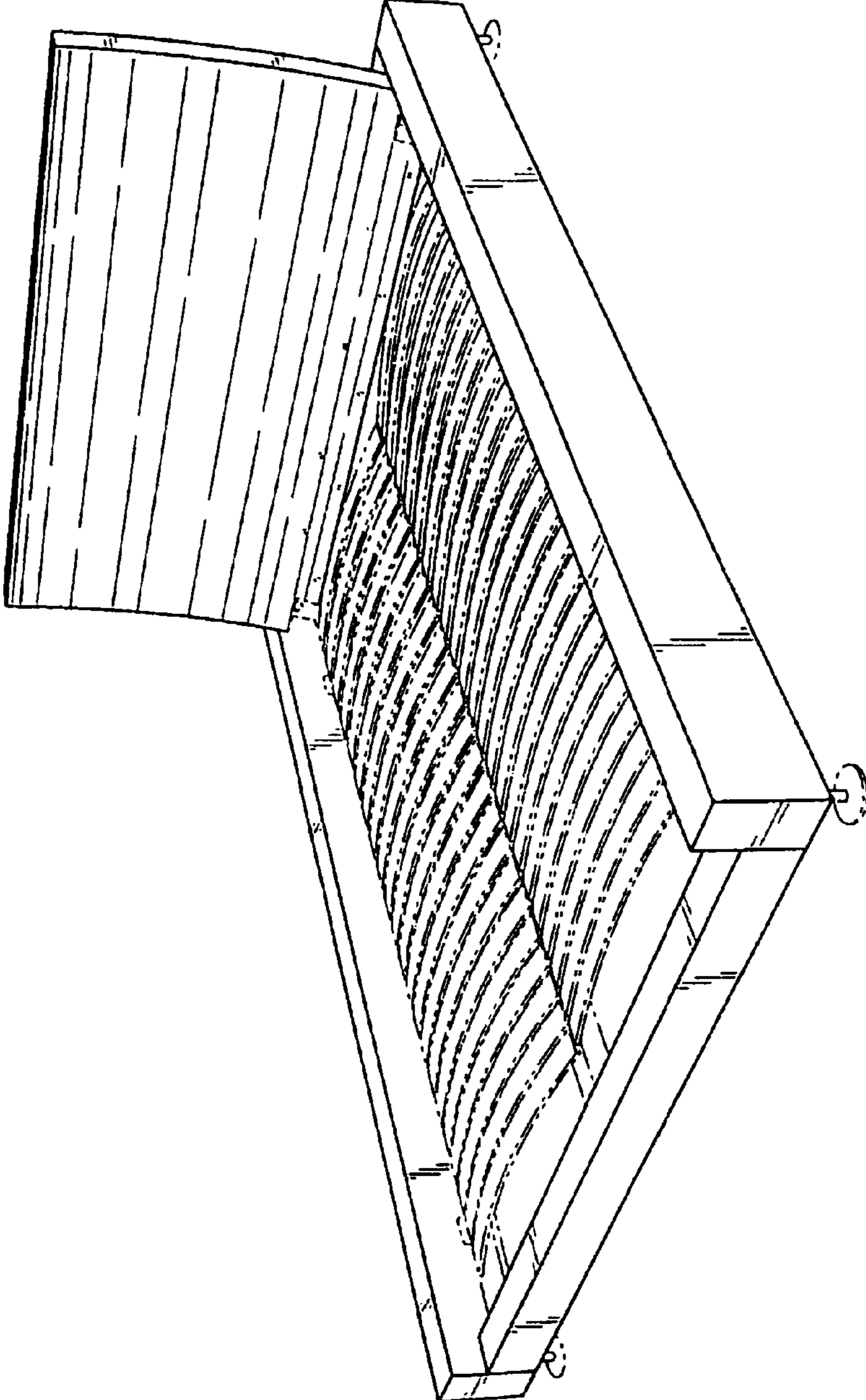


Fig. 1

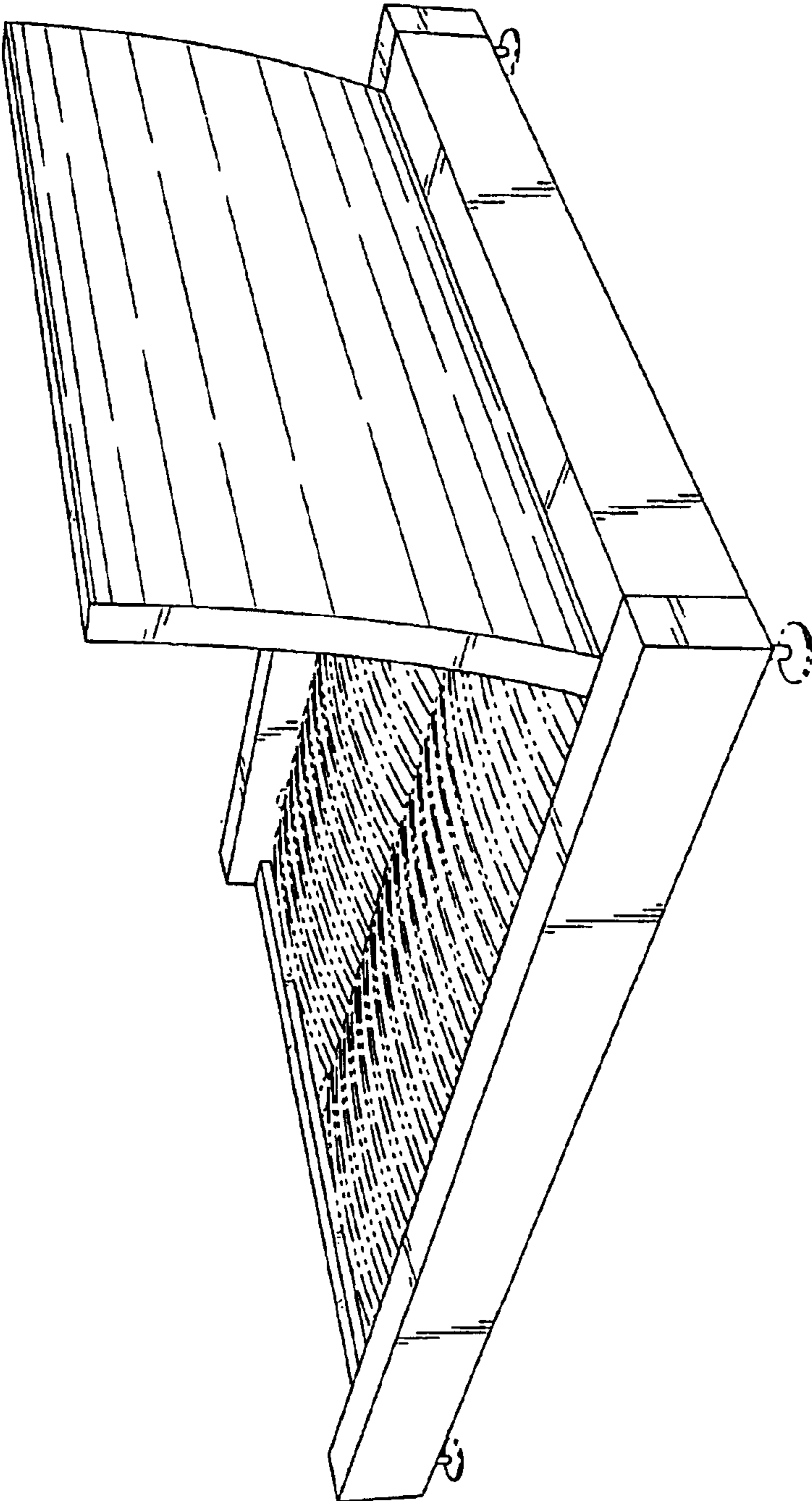
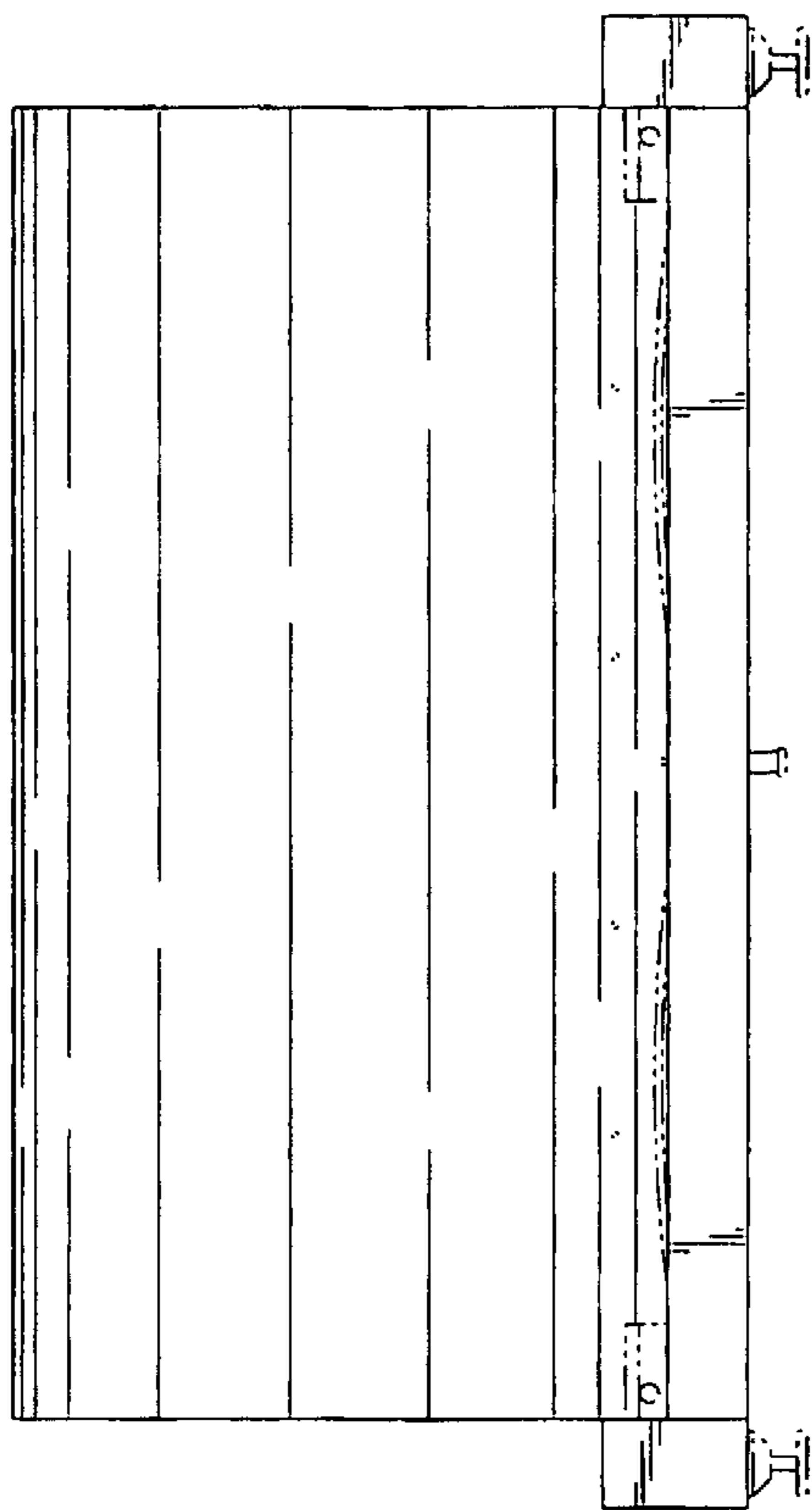
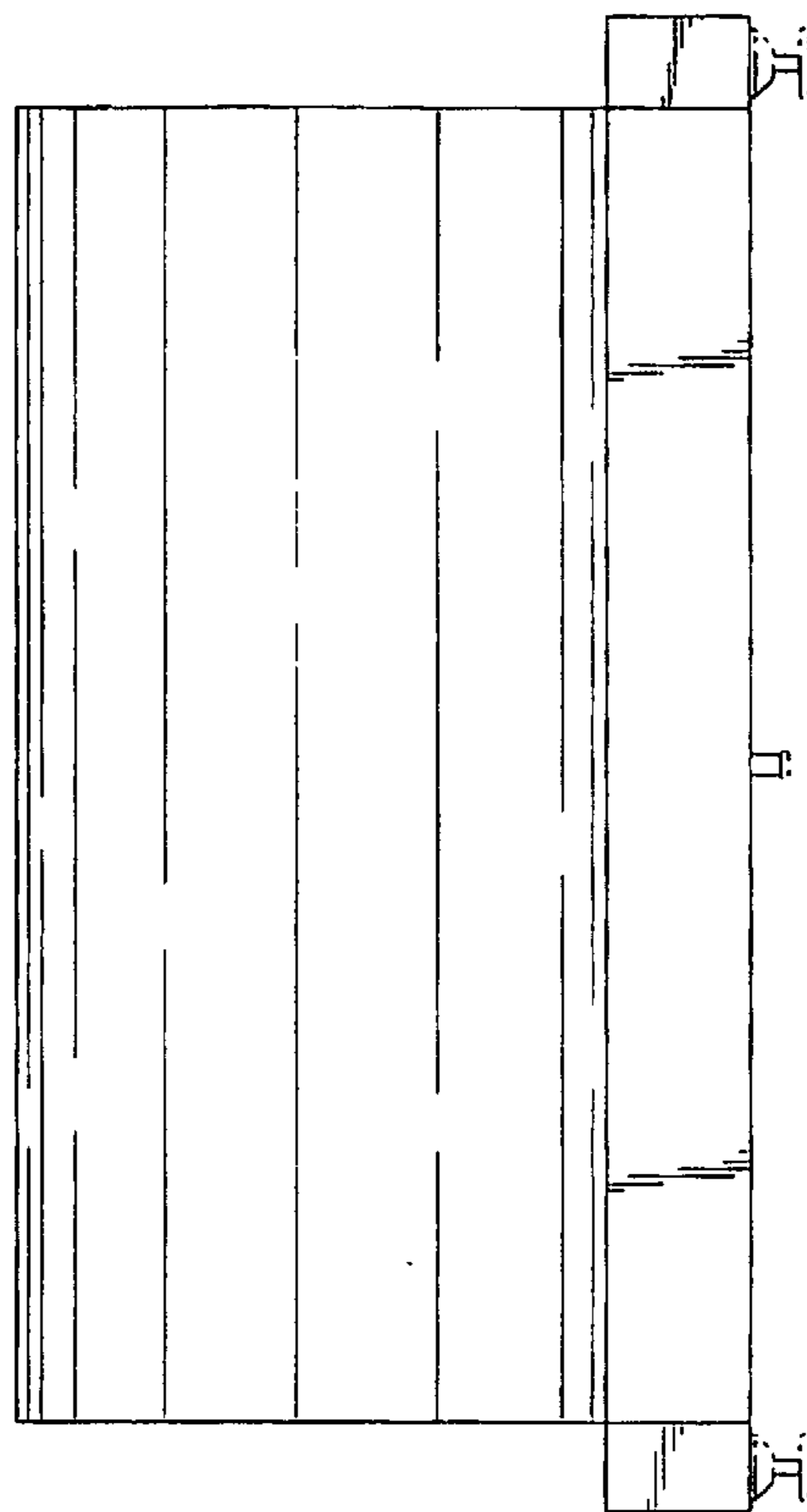


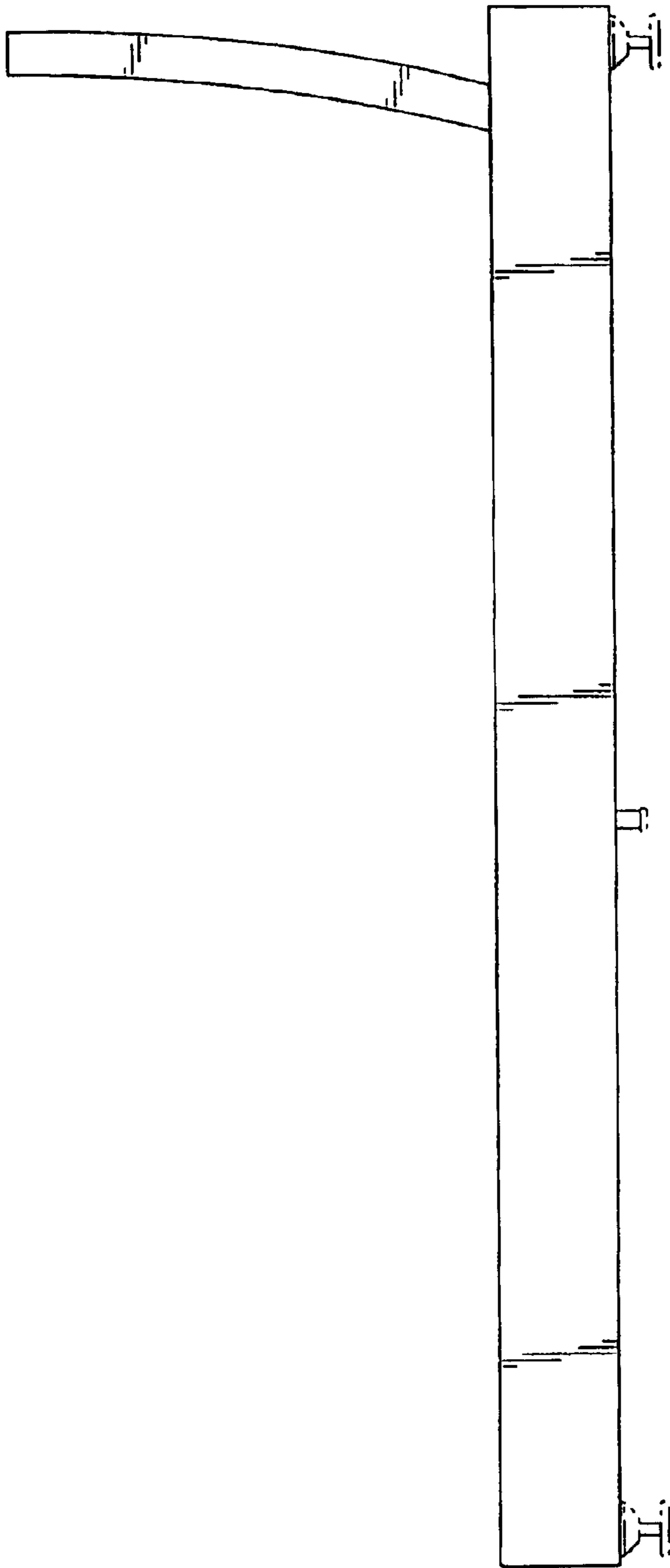
Fig. 2



*Fig. 3*



*Fig. 4*



**Fig. 5**