



US00D541540S

(12) **United States Design Patent** (10) **Patent No.:** **US D541,540 S**
Begin et al. (45) **Date of Patent:** **** May 1, 2007**

(54) **VEHICLE SEAT**

(76) Inventors: **Jason Begin**, 6736 Gran Via Dr. NE., Rockford, MI (US) 49341; **Stephen Geston**, 1340 Colorado Ave. SE., Grand Rapids, MI (US) 49506; **Daniel Sommerfeld**, 10536 W. H Ave., Kalamazoo, MI (US) 49009

(**) Term: **14 Years**

(21) Appl. No.: **29/223,606**

(22) Filed: **Feb. 16, 2005**

(51) **LOC (8) Cl.** **06-01**

(52) **U.S. Cl.** **D6/356**

(58) **Field of Classification Search** D6/356, D6/334-335, 336, 364-367, 374-375, 379, D6/500-502; 297/411.36, 452.21, 452.29, 297/452.3, 452.35, 452.38, 284.4

See application file for complete search history.

(56) **References Cited**

U.S. PATENT DOCUMENTS

D153,850 S	*	5/1949	Brazauski	D6/374
D465,360 S		11/2002	Ratza et al.		
D467,744 S		12/2002	McIntire		
D485,445 S		1/2004	De Maina		
D485,446 S		1/2004	Stulik		
6,966,606 B2	*	11/2005	Coffield	297/452.56

* cited by examiner

Primary Examiner—Robert M. Spear

Assistant Examiner—Katrina A. Kile

(74) *Attorney, Agent, or Firm*—Hanley, Flight & Zimmerman LLC

(57) **CLAIM**

The ornamental design for a vehicle seat, as shown and described.

DESCRIPTION

FIG. 1 is a perspective view of a first embodiment of the vehicle seat;

FIG. 2 is a front elevational view of the seat of FIG. 1;

FIG. 3 is a rear elevational view of the seat of FIG. 1;

FIG. 4 is a side elevational view of the seat of FIG. 1;

FIG. 5 is a perspective view of a second embodiment of the vehicle seat;

FIG. 6 is a front elevational view of the seat of FIG. 5;

FIG. 7 is a rear elevational view of the seat of FIG. 5; and,

FIG. 8 is side elevational view of the seat of FIG. 5.

The broken lines showing the center portions of the back and bottom sections of the seat in the first embodiment and the broken lines showing a button on the side of the seat in both embodiments are for illustrative purposes only and form no part of the claimed design.

1 Claim, 6 Drawing Sheets

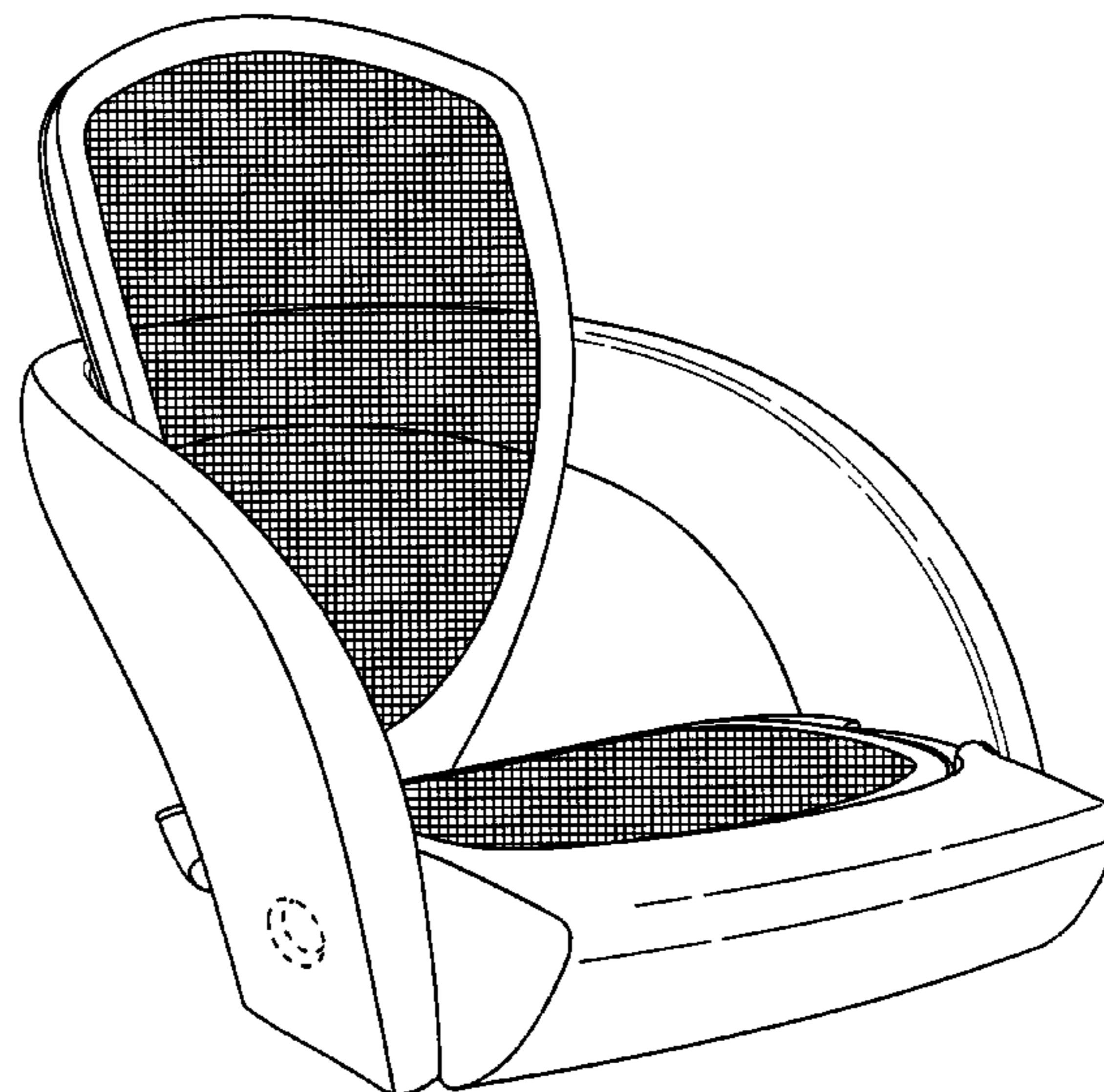
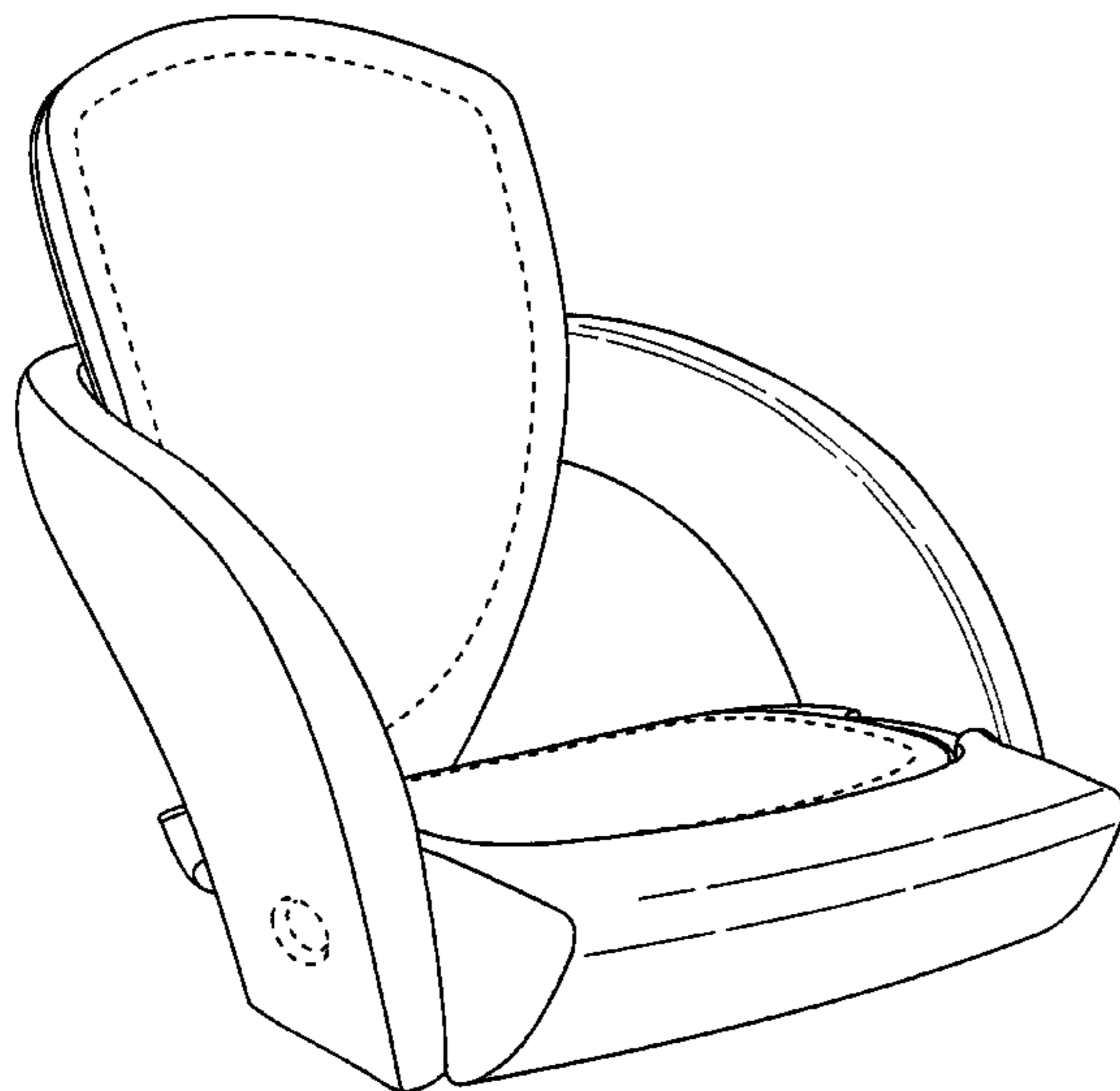


Fig. 1

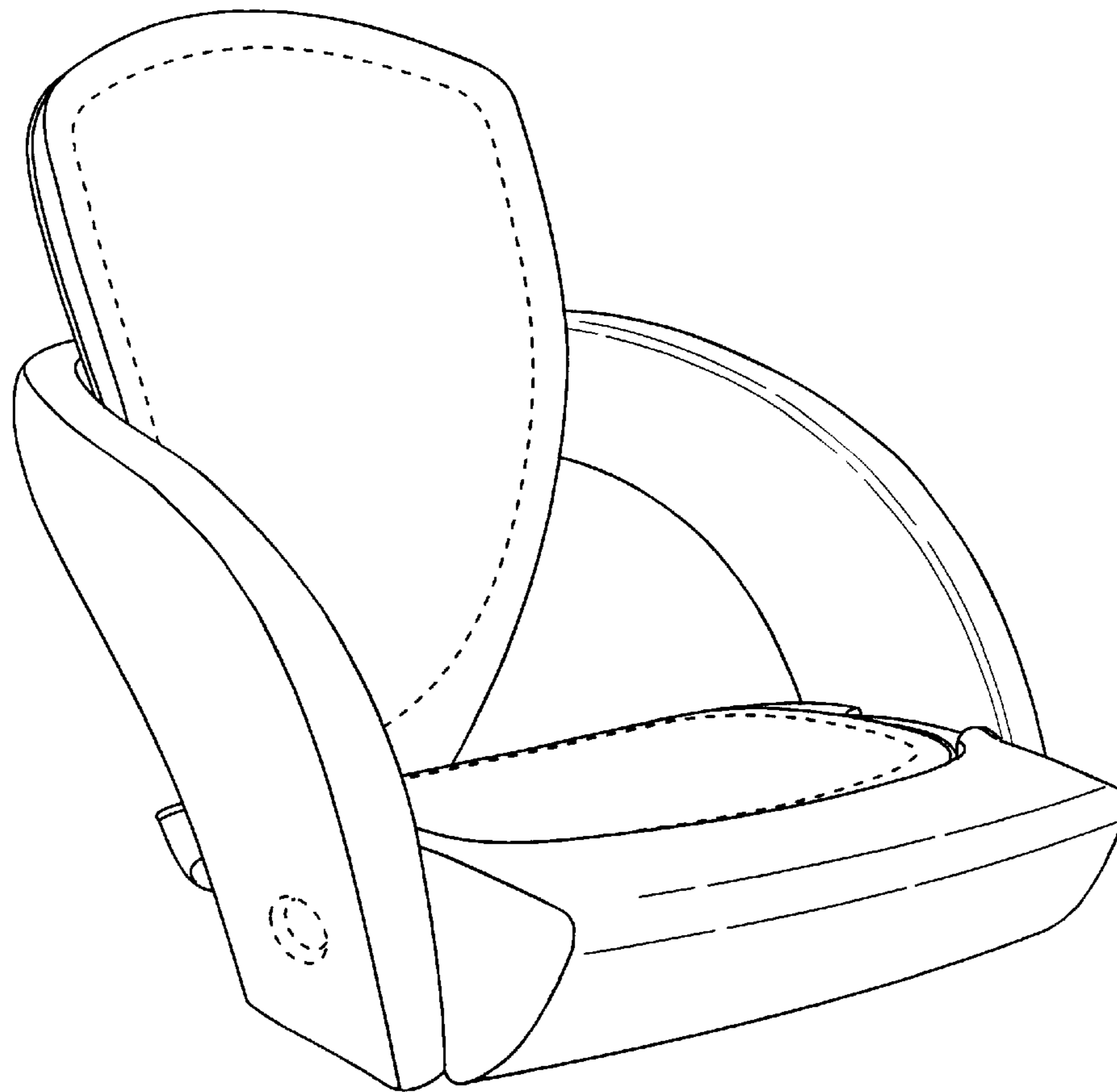


Fig. 2

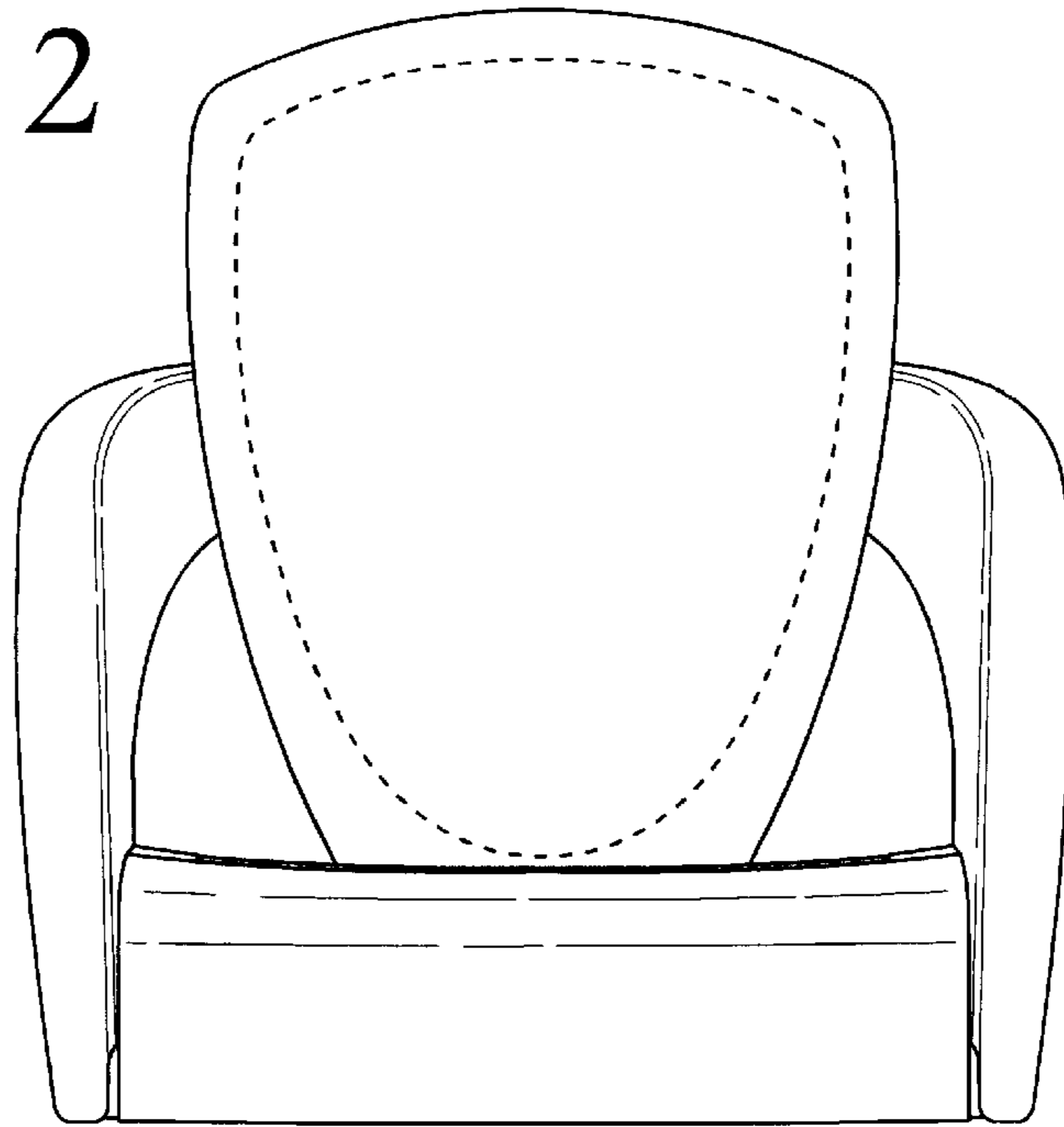


Fig. 3

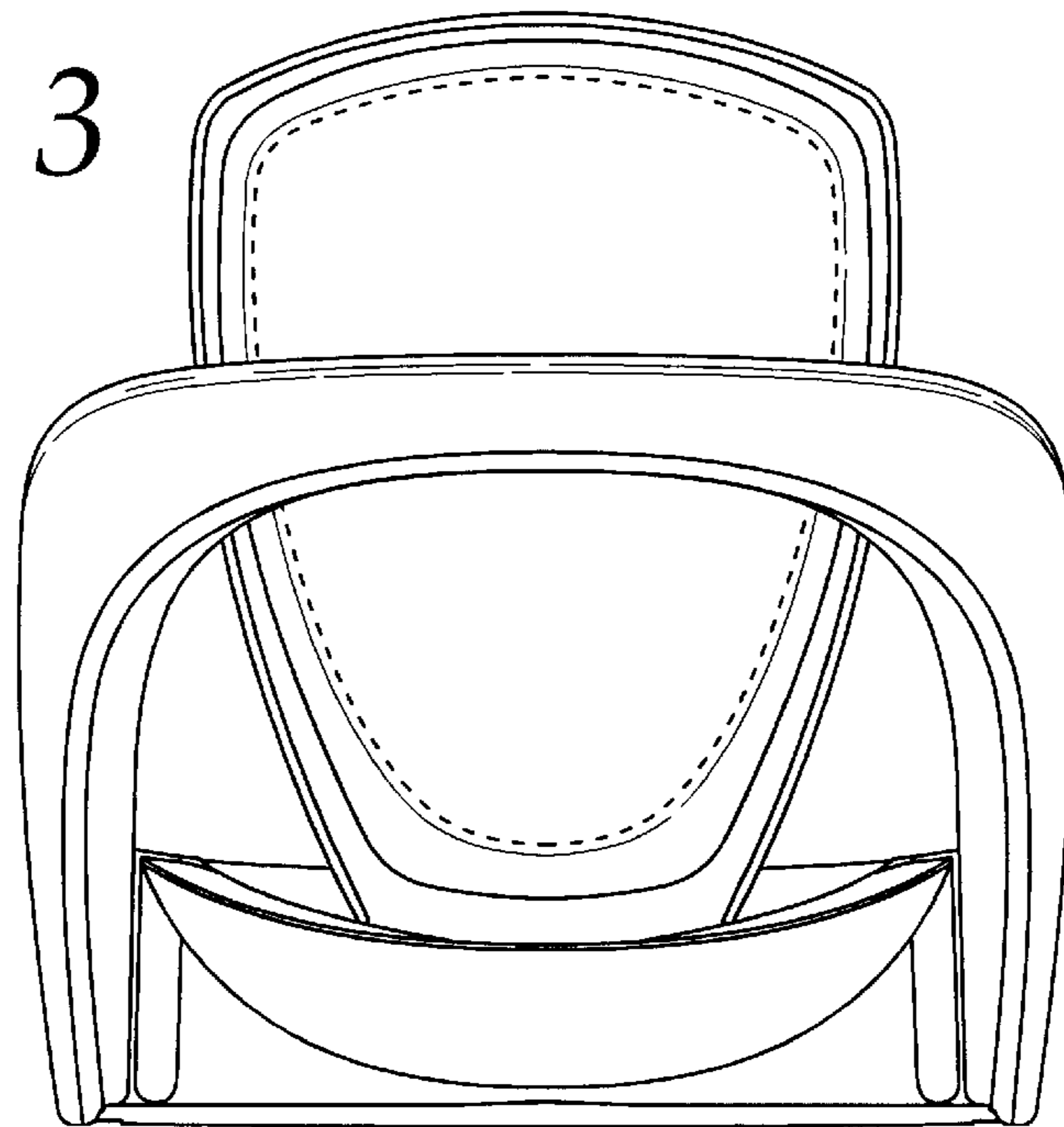


Fig. 4

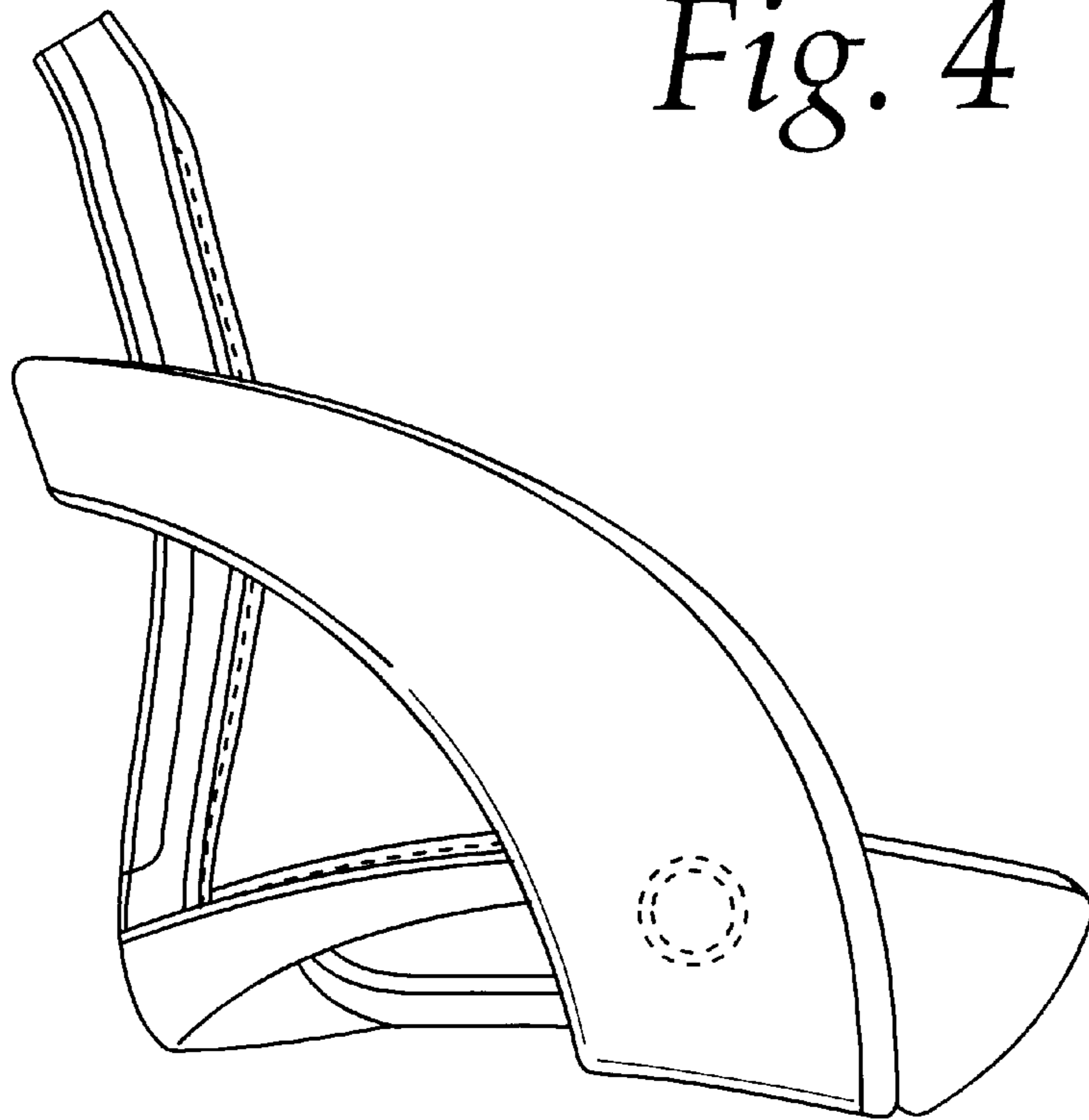


Fig. 5

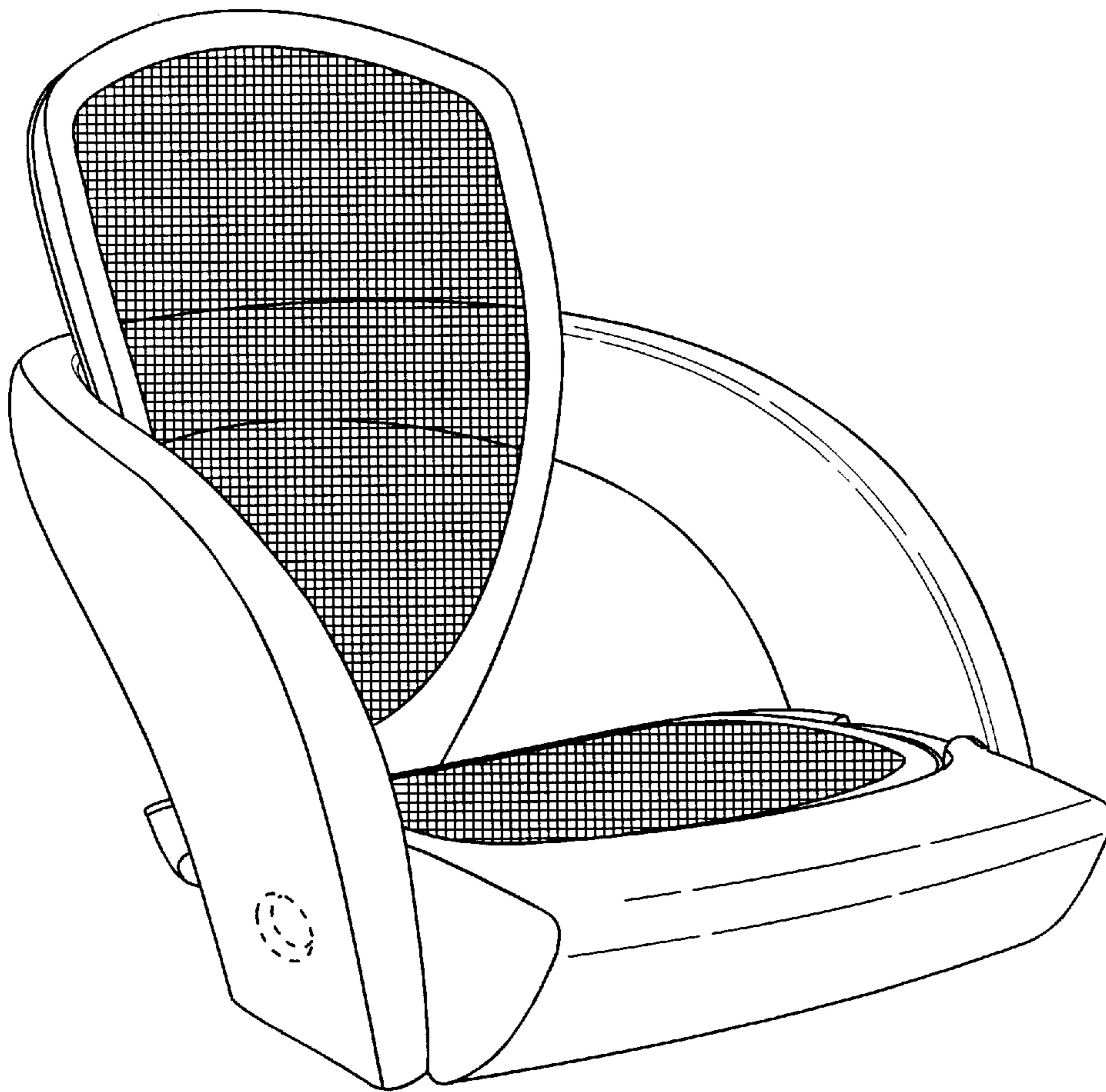


Fig. 6

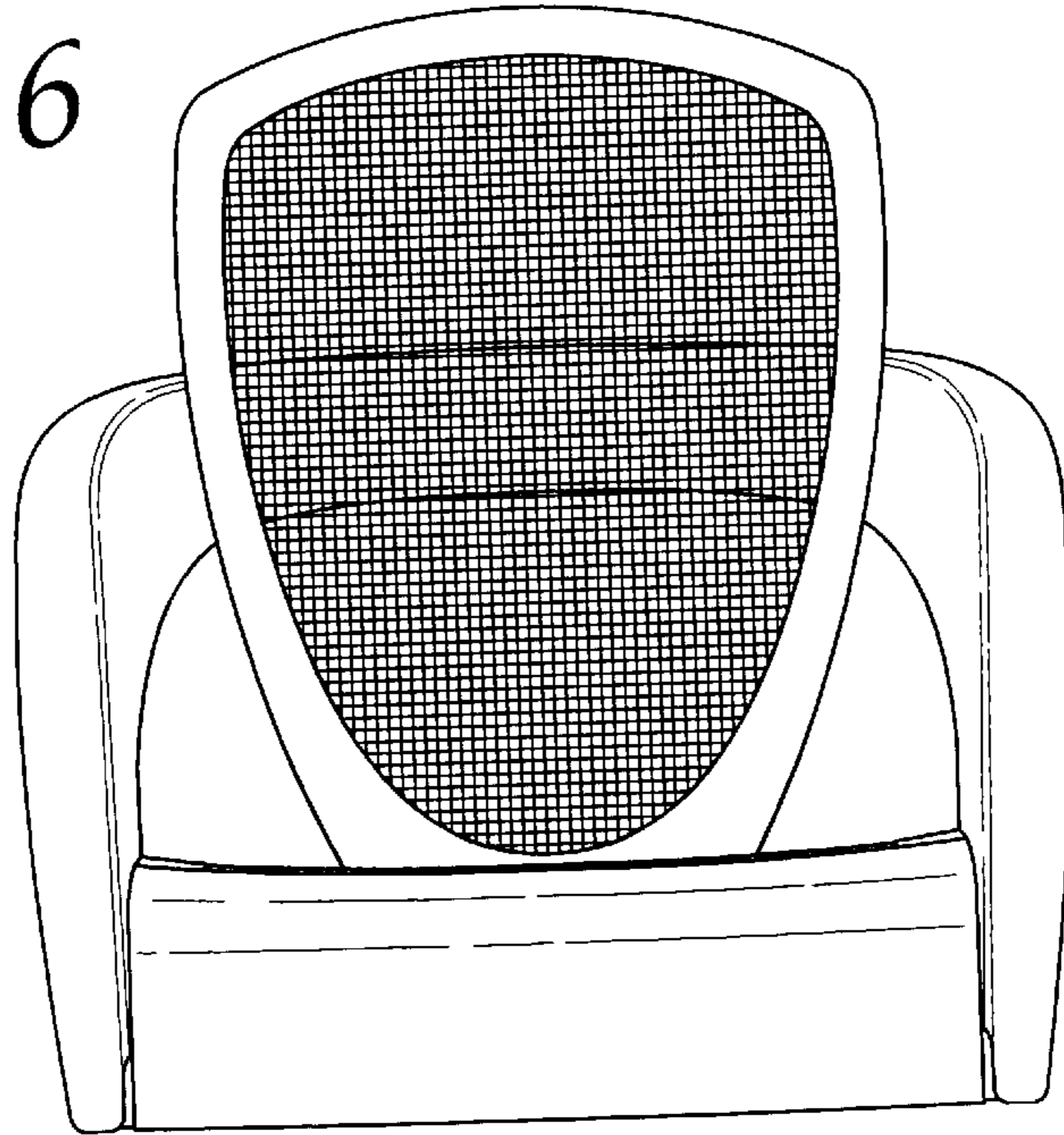


Fig. 7

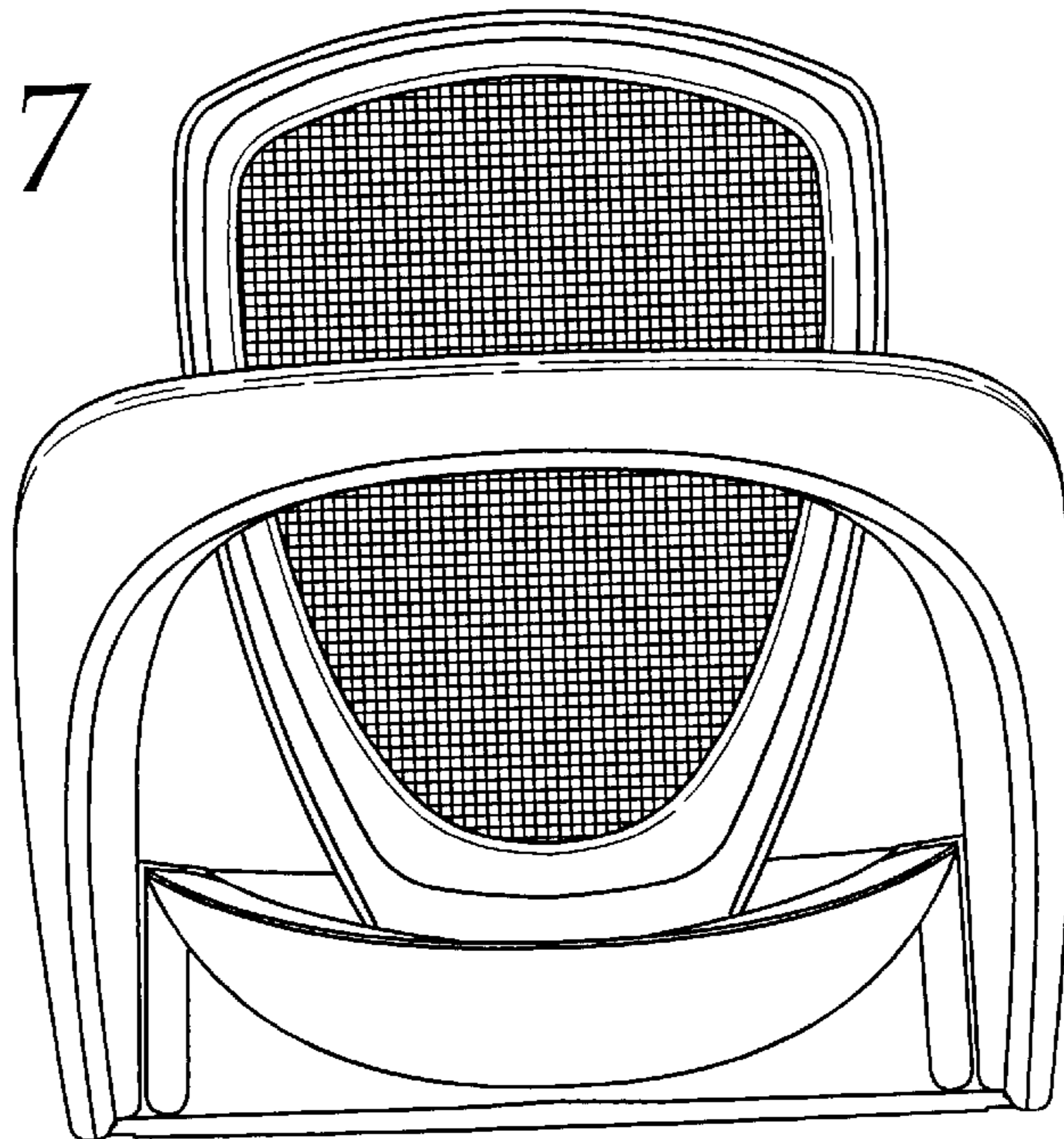
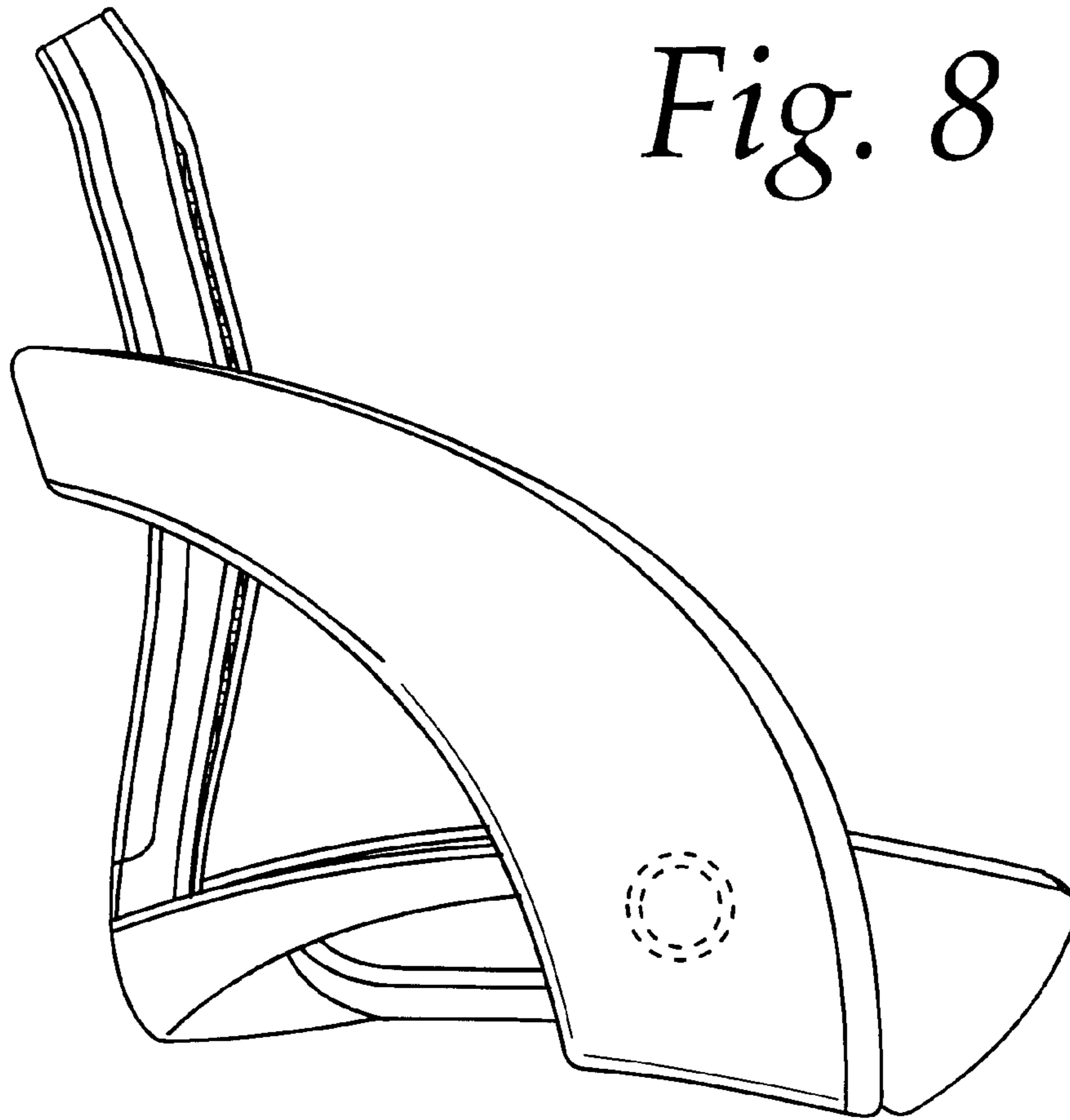


Fig. 8



UNITED STATES PATENT AND TRADEMARK OFFICE
CERTIFICATE OF CORRECTION

PATENT NO. : Des. 541,540 S
APPLICATION NO. : 29/223606
DATED : May 1, 2007
INVENTOR(S) : Begin et al.

Page 1 of 1

It is certified that error appears in the above-identified patent and that said Letters Patent is hereby corrected as shown below:

Title Page; item (73);
The name of the Assignee should read:

Brunswick Corporation, Lake Forest, Illinois (US)

Signed and Sealed this

Thirtieth Day of December, 2008

A handwritten signature in black ink that reads "Jon W. Dudas". The signature is written in a cursive style with a large initial "J" and "D".

JON W. DUDAS

Director of the United States Patent and Trademark Office