



US00D541536S

(12) **United States Design Patent**  
**Christianson**

(10) **Patent No.:** **US D541,536 S**

(45) **Date of Patent:** **\*\* May 1, 2007**

(54) **TIE RACK**

(75) Inventor: **Tristan M. Christianson**, San Francisco, CA (US)

(73) Assignee: **Sharper Image Corporation**, San Francisco, CA (US)

(\*\*) Term: **14 Years**

(21) Appl. No.: **29/211,296**

(22) Filed: **Aug. 13, 2004**

(51) **LOC (8) Cl.** ..... **06-08**

(52) **U.S. Cl.** ..... **D6/315**

(58) **Field of Classification Search** ..... D6/315,  
D6/320, 322, 324, 396, 449, 456, 466, 467,  
D6/473-476; 211/1.51, 1.52, 13.1, 85.3,  
211/156, 162; D14/496; D3/203.4  
See application file for complete search history.

(56) **References Cited**

U.S. PATENT DOCUMENTS

D298,591 S	*	11/1988	Arner et al.	.....	D6/315
D301,524 S	*	6/1989	Trafford	.....	D6/324
D355,770 S	*	2/1995	Taylor et al.	.....	D6/315
5,474,187 A	*	12/1995	Taylor et al.	.....	211/1.56
5,645,173 A	*	7/1997	Taylor et al.	.....	211/1.56

D382,717 S	*	8/1997	Rolnick et al.	.....	D6/315
D383,315 S	*	9/1997	Woodring	.....	D6/315
D411,372 S	*	6/1999	Woodring	.....	D6/315
D422,795 S	*	4/2000	Hollinger	.....	D6/322
D459,987 S	*	7/2002	Christianson	.....	D3/203.4
D522,020 S	*	5/2006	Suckle et al.	.....	D14/496

\* cited by examiner

*Primary Examiner*—Robert M. Spear  
*Assistant Examiner*—Mary Ann Calabrese

(74) *Attorney, Agent, or Firm*—Bell, Boyd & Lloyd, LLP

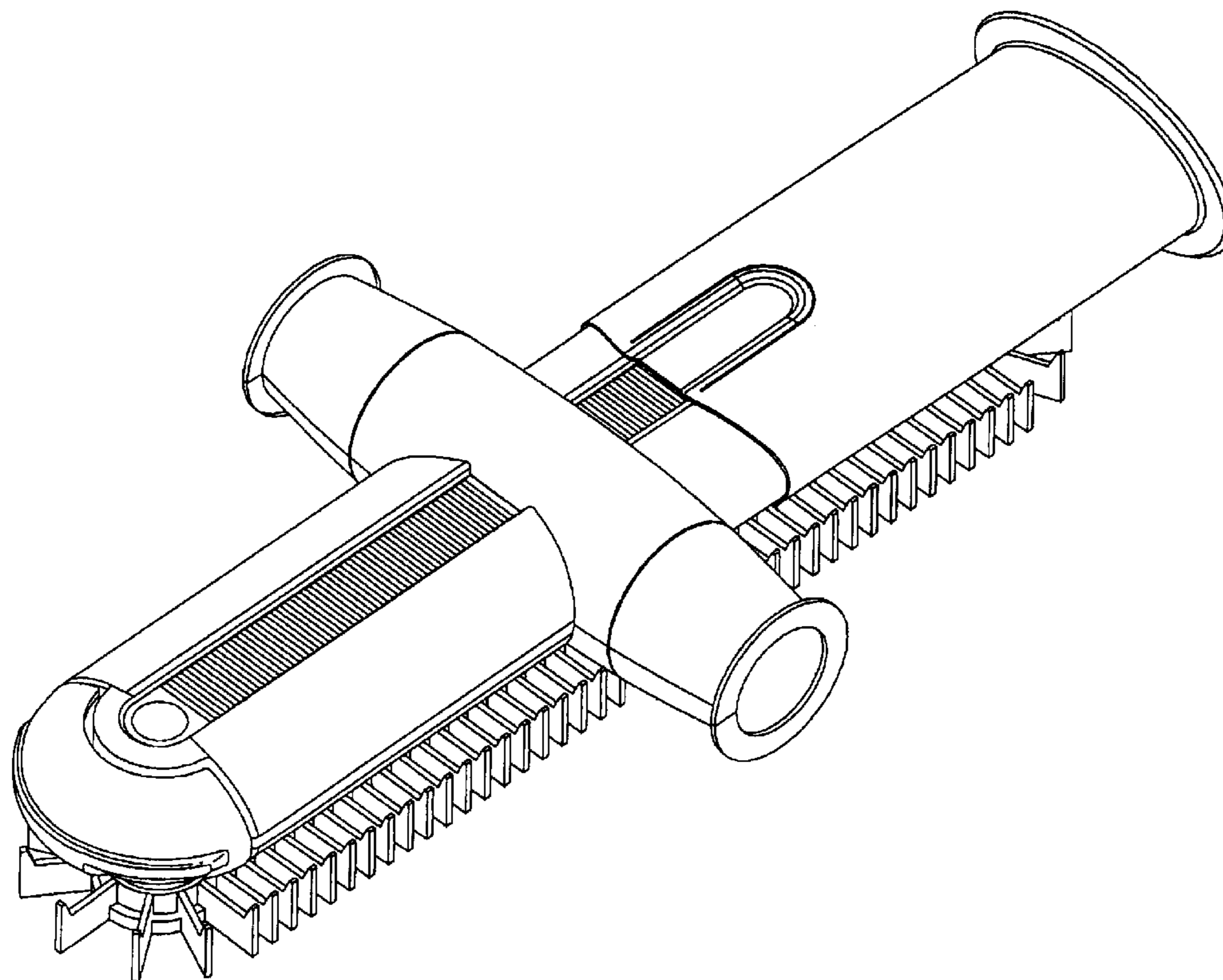
(57) **CLAIM**

The ornamental design for a tie rack, as shown and described.

**DESCRIPTION**

FIG. 1 is a front perspective view of a tie rack, showing my new design;  
FIG. 2 is a rear perspective view thereof;  
FIG. 3 is a top view thereof;  
FIG. 4 is a bottom view thereof;  
FIG. 5 is a right side view thereof; a left side view is a mirror image of the right side view as shown, and thus omitted.  
FIG. 6 is a front view thereof; and,  
FIG. 7 is a rear view thereof.

**1 Claim, 3 Drawing Sheets**



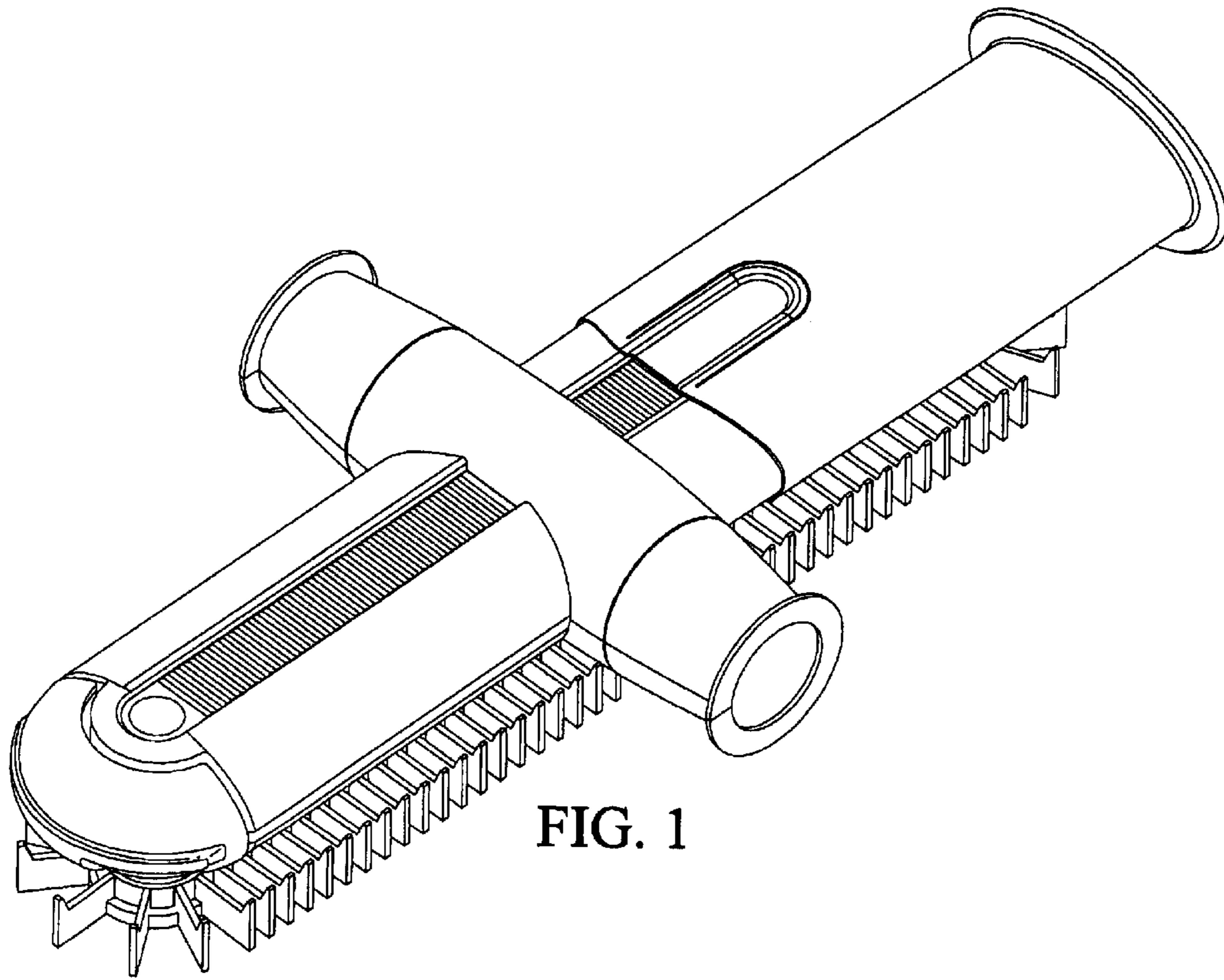


FIG. 1

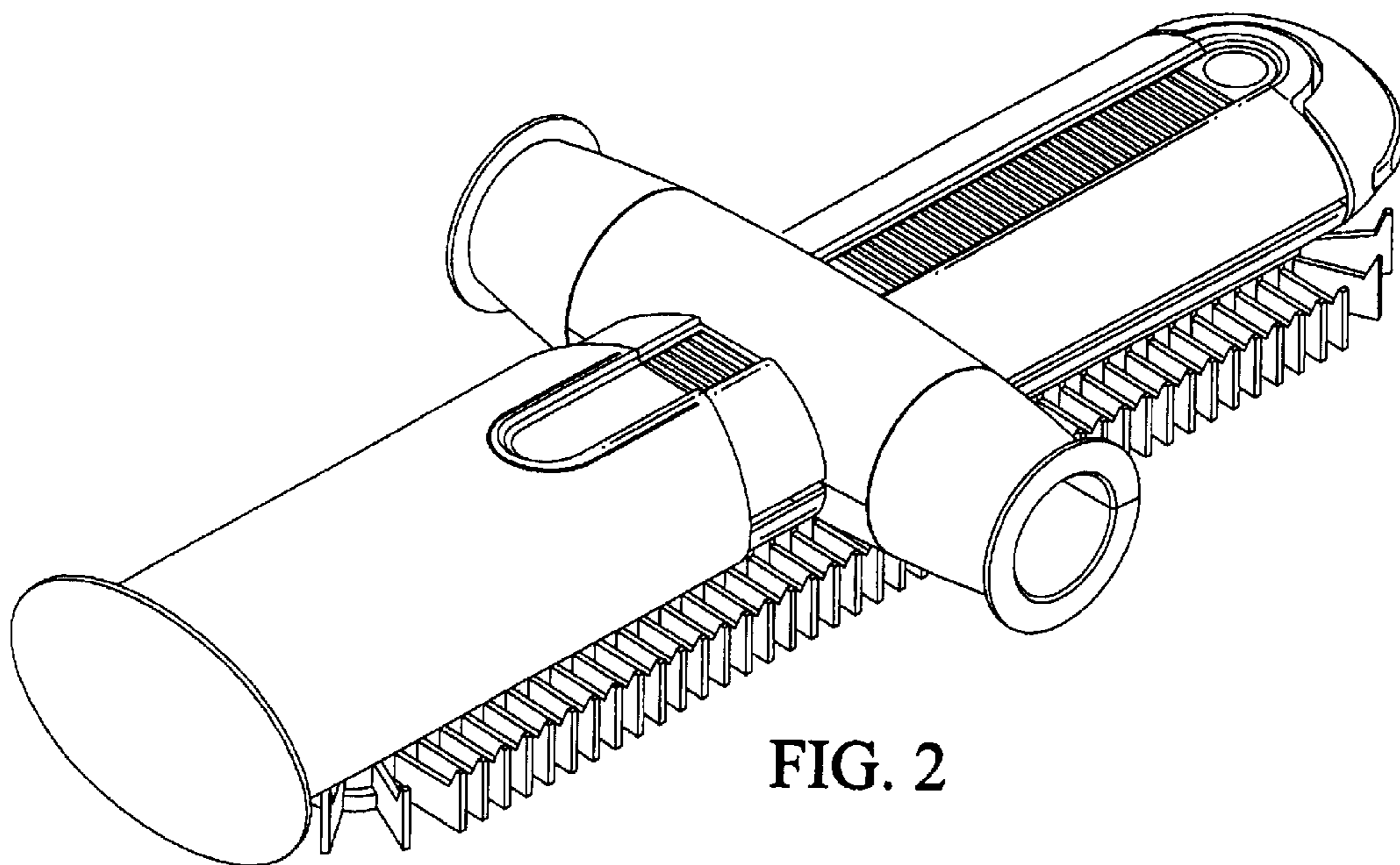
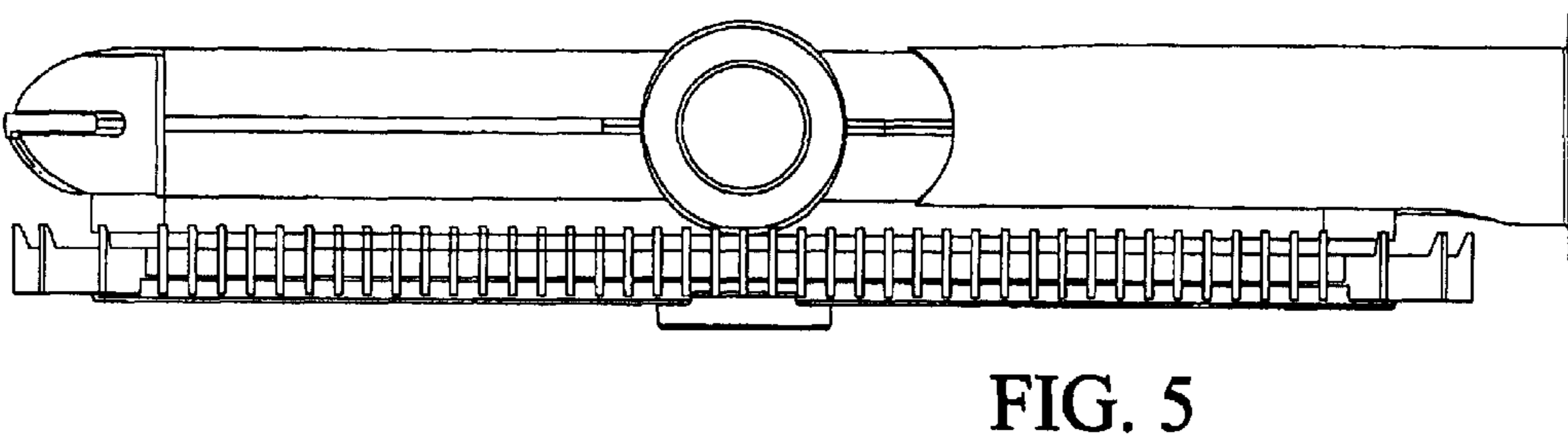
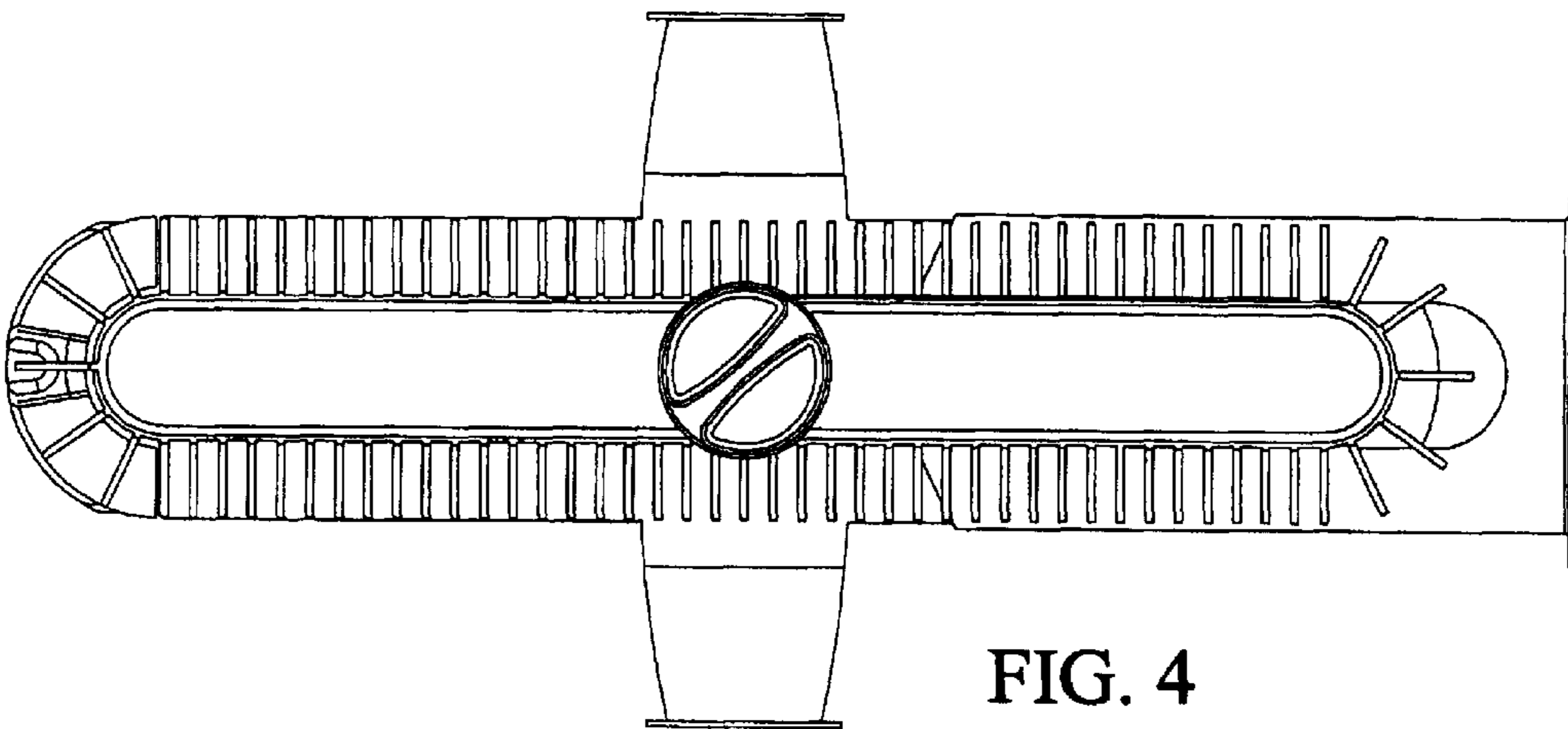
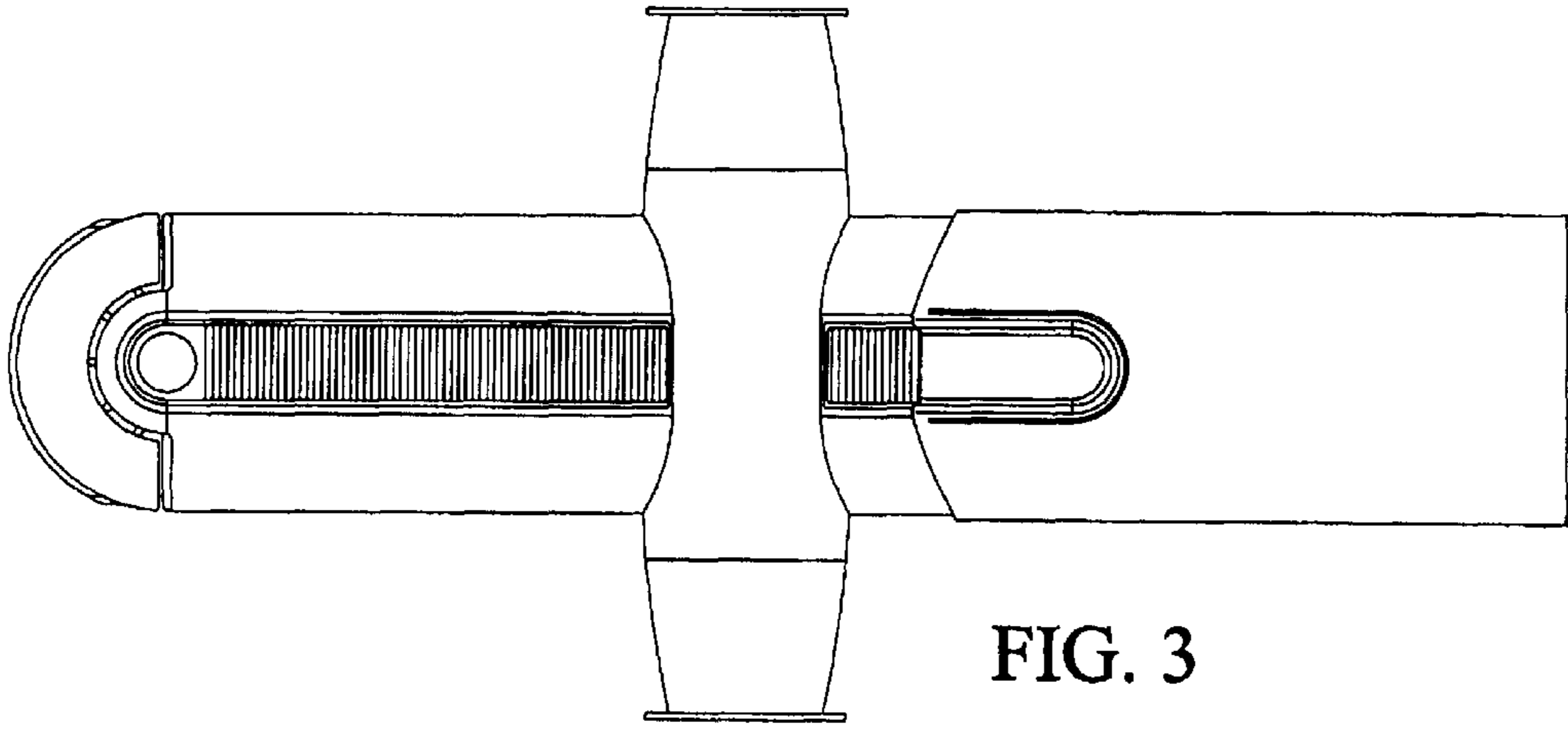


FIG. 2



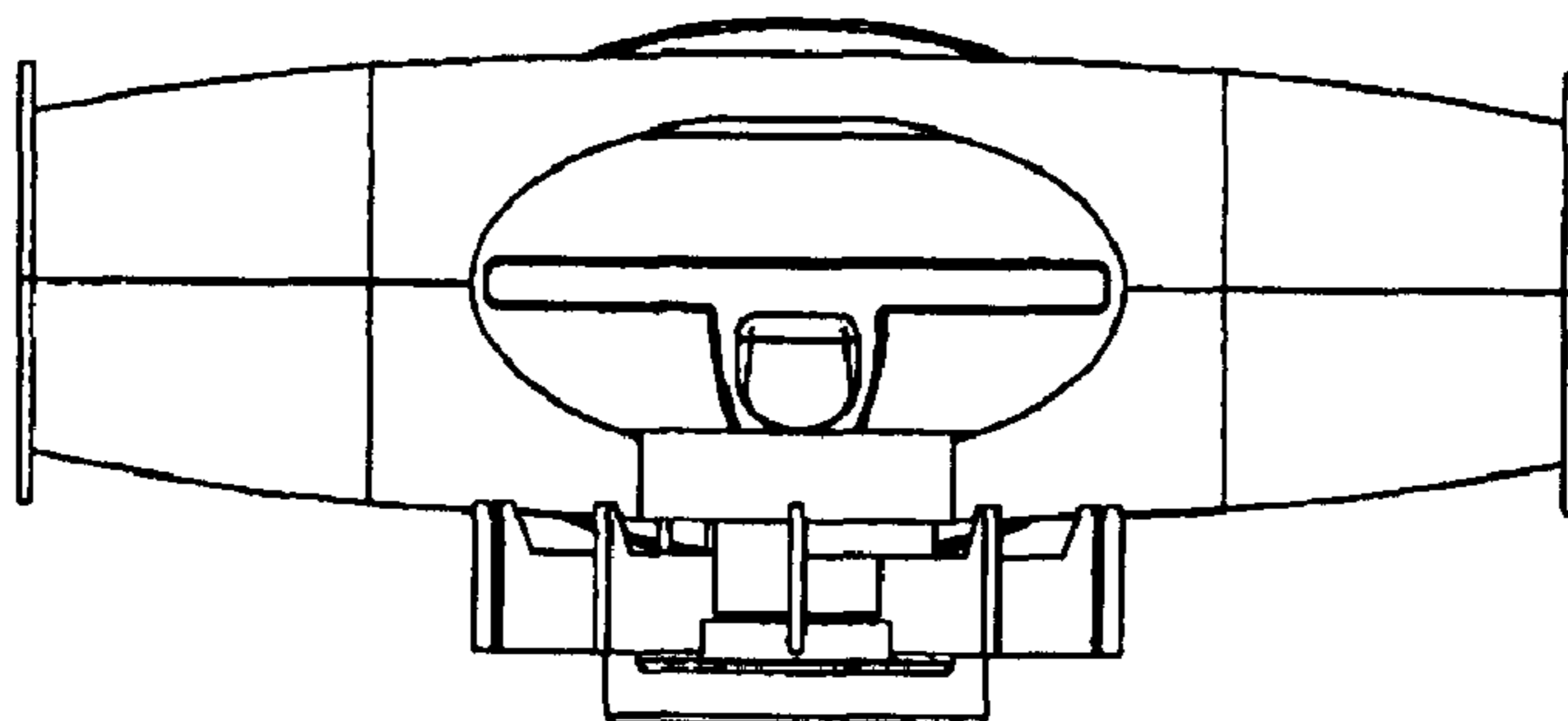


FIG. 6

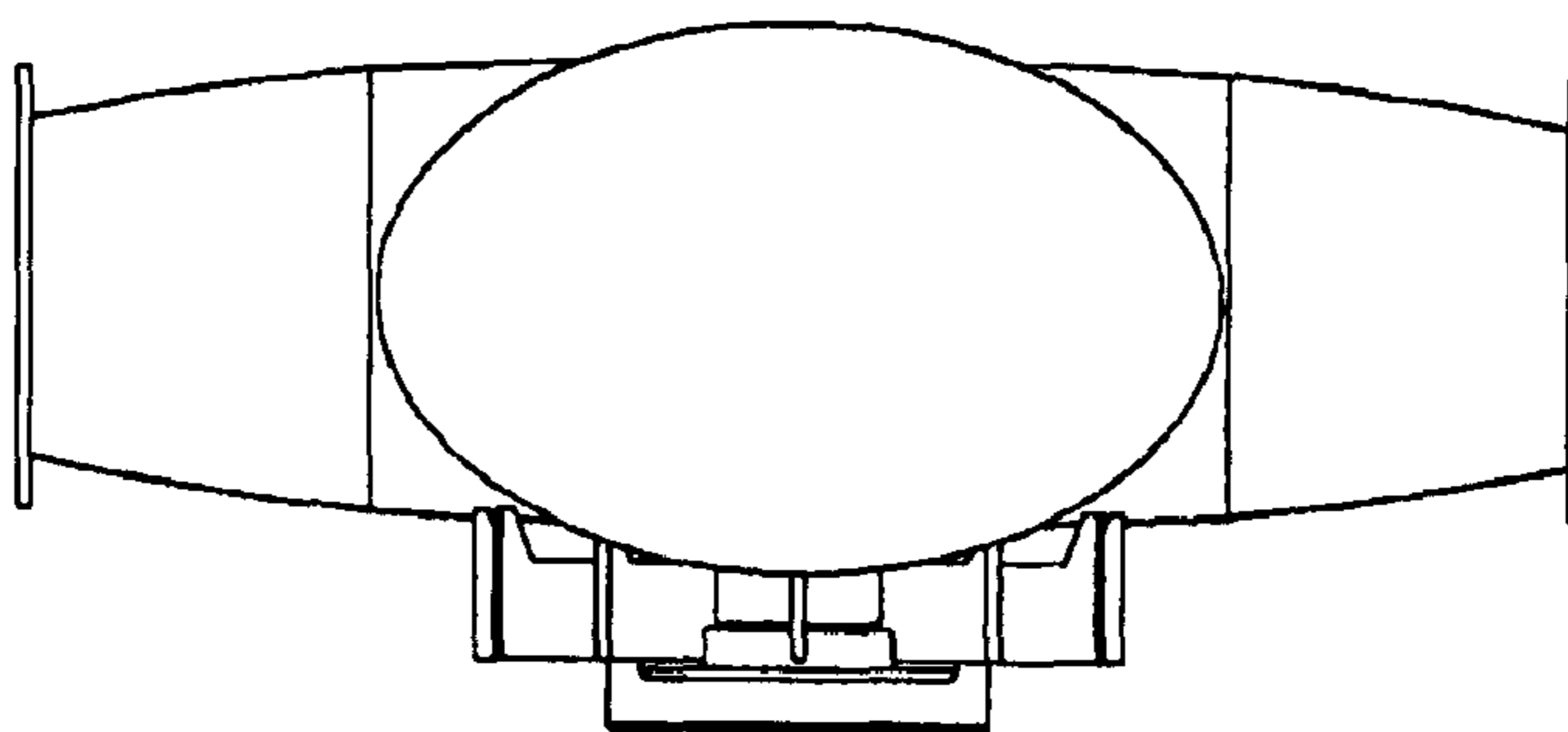


FIG. 7