



US00D541534S

(12) **United States Design Patent**
Leung

(10) **Patent No.:** **US D541,534 S**

(45) **Date of Patent:** **** May 1, 2007**

(54) **HAIR BRUSH**

OTHER PUBLICATIONS

(75) Inventor: **Anthony Kit Lun Leung**, North Point (HK)

WIPO DM/065720 Industrial Design Registration, (Trisa Holding AG) Aug. 13, 2004, [online], [retrieved on Oct. 29, 2006] Retrieved from the Hague Express Database using <URL: <http://www.wipo.int/ipdl>>.*

(73) Assignee: **Conair Corporation**, Stamford, CT (US)

* cited by examiner

(**) Term: **14 Years**

Primary Examiner—Alan P. Douglas
Assistant Examiner—Lavone D. Tabor

(21) Appl. No.: **29/263,849**

(74) *Attorney, Agent, or Firm*—Lawrence Cruz; Steven A. Garner

(22) Filed: **Jul. 31, 2006**

(51) **LOC (8) Cl.** **04-02**

(52) **U.S. Cl.** **D4/133; D4/136**

(58) **Field of Classification Search** D4/132–134, D4/136, 138; D28/10, 28, 35, 37; 15/159.1, 15/160, 186–188, 191.1, 192, 193; 132/120, 132/121, 271, 313

See application file for complete search history.

(57) **CLAIM**

The ornamental design for a hair brush, as shown.

DESCRIPTION

FIG. 1 is a perspective view of a hair brush showing my new design;

FIG. 2 is a front view thereof;

FIG. 3 is a rear view thereof;

FIG. 4 is a right side view thereof;

FIG. 5 is a left side view thereof;

FIG. 6 is a top view thereof; and,

FIG. 7 is a bottom view.

(56) **References Cited**

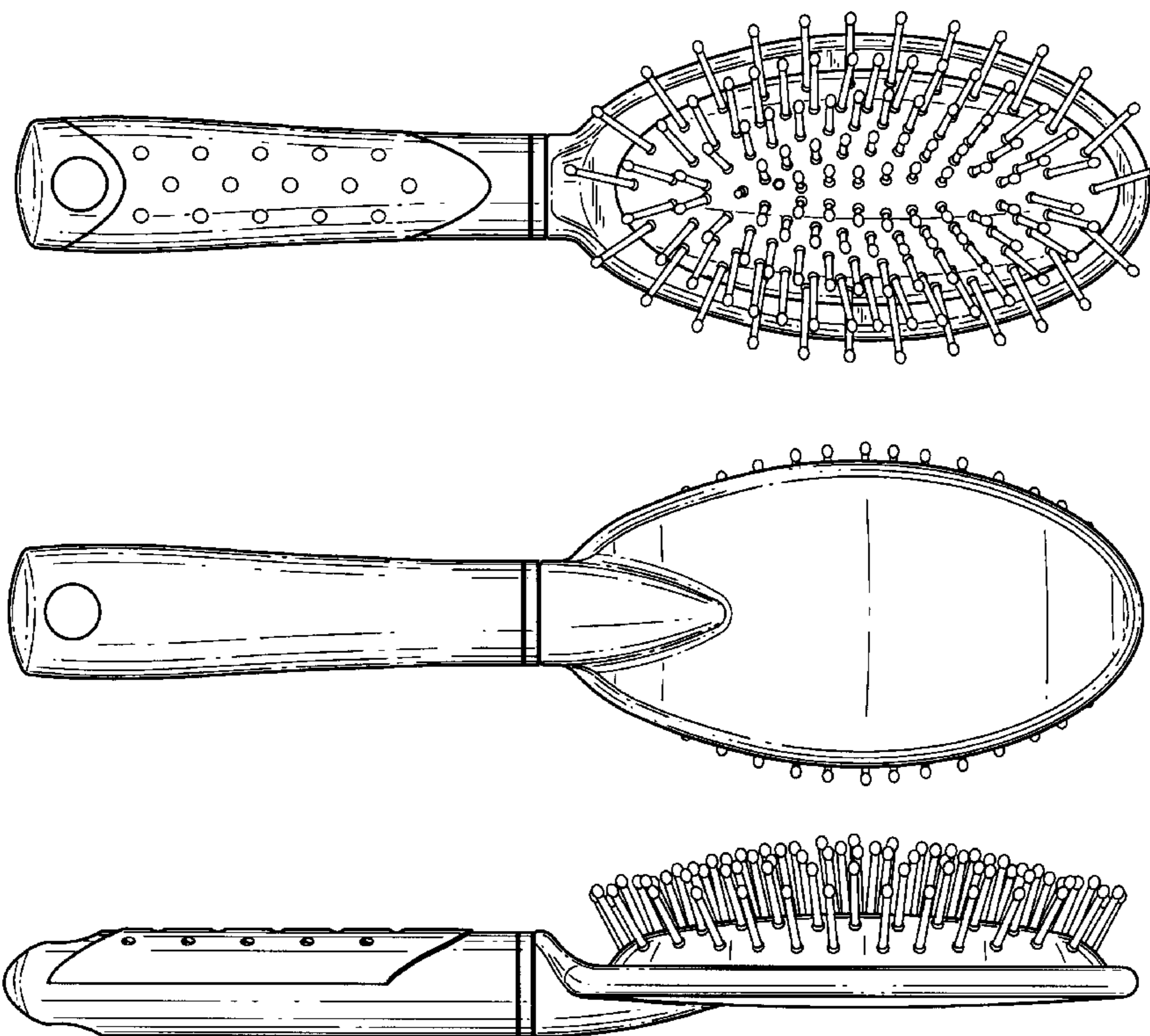
U.S. PATENT DOCUMENTS

D455,905 S	*	4/2002	McCurrach	D4/133
D484,704 S	*	1/2004	Fong	D4/133
D504,234 S	*	4/2005	Kuo et al.	D4/133
D509,363 S	*	9/2005	Kampel et al.	D4/133

FOREIGN PATENT DOCUMENTS

EP 882414 A2 * 12/1998

1 Claim, 2 Drawing Sheets



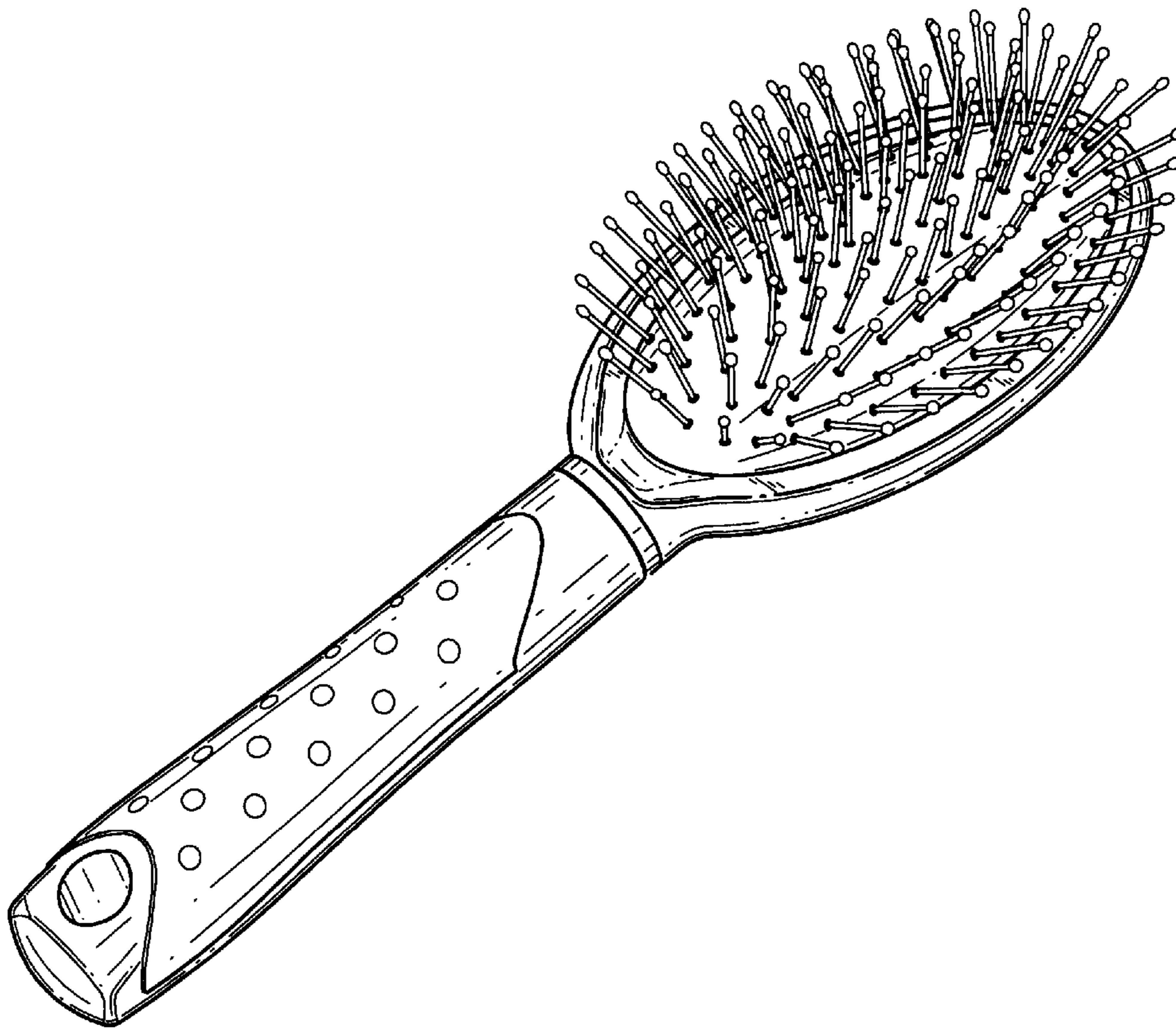


FIG. 1

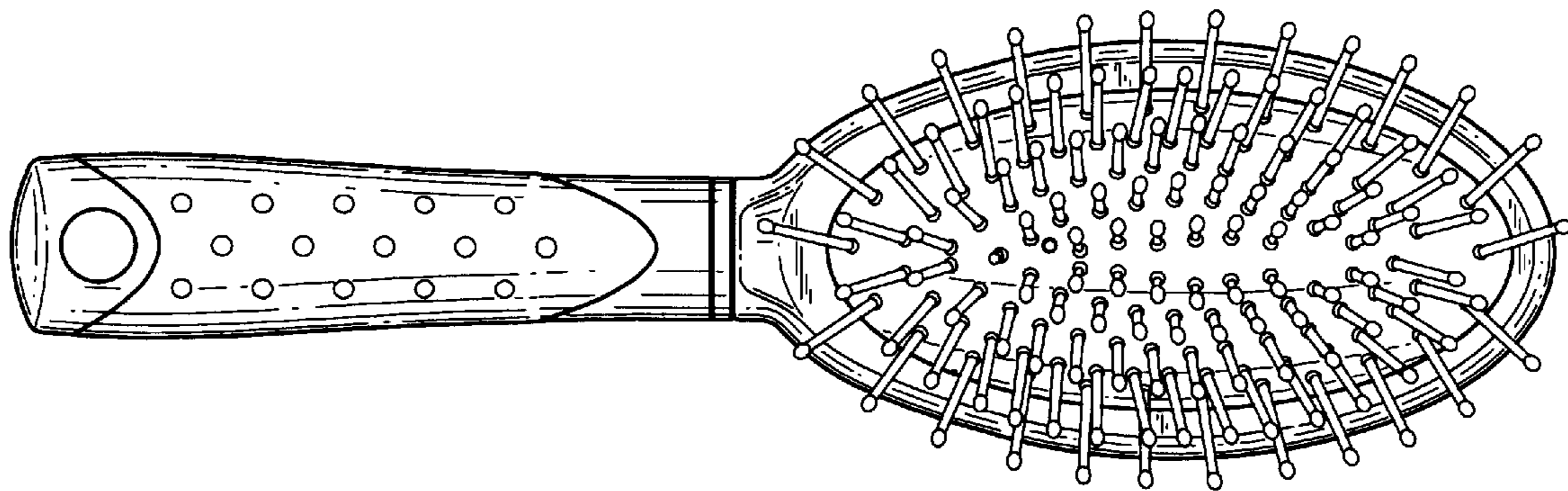


FIG. 2

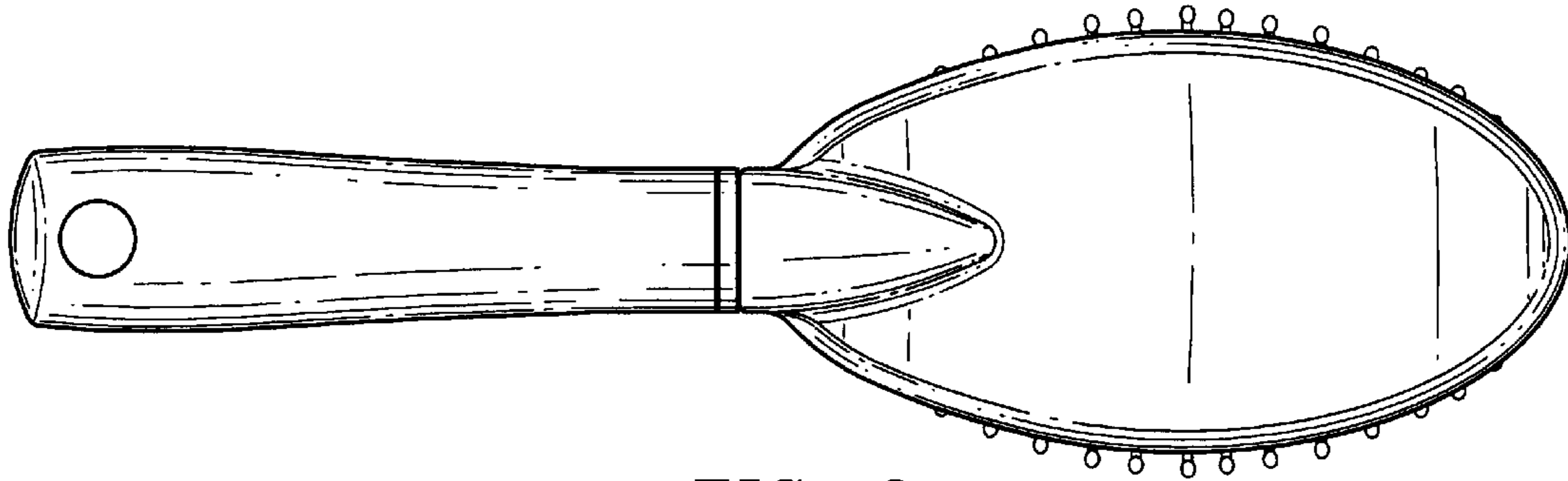


FIG. 3

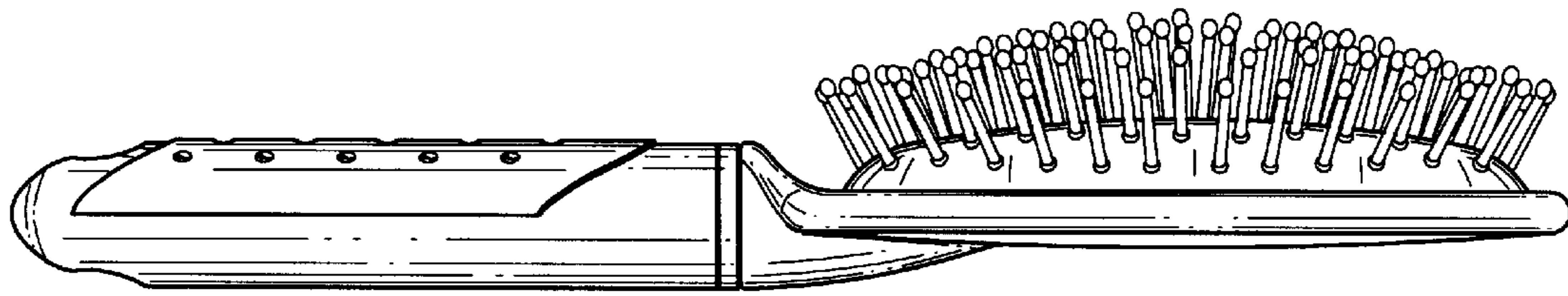


FIG. 4

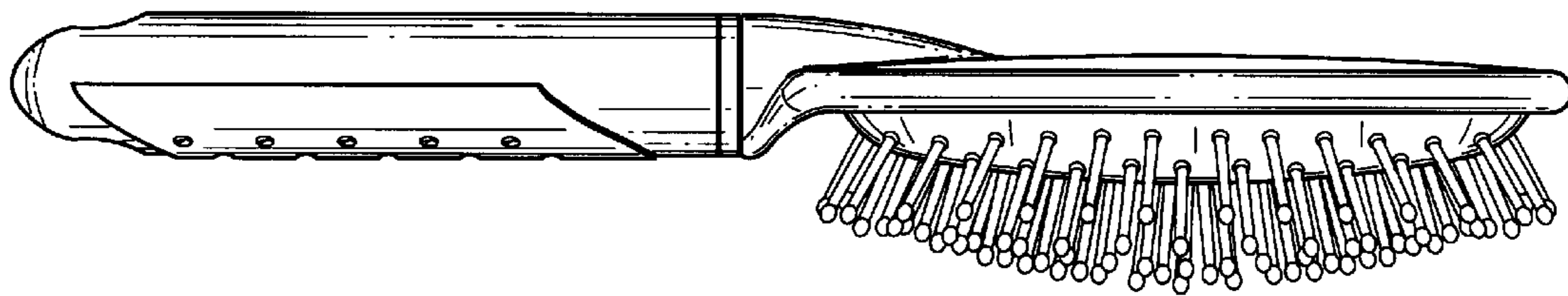


FIG. 5

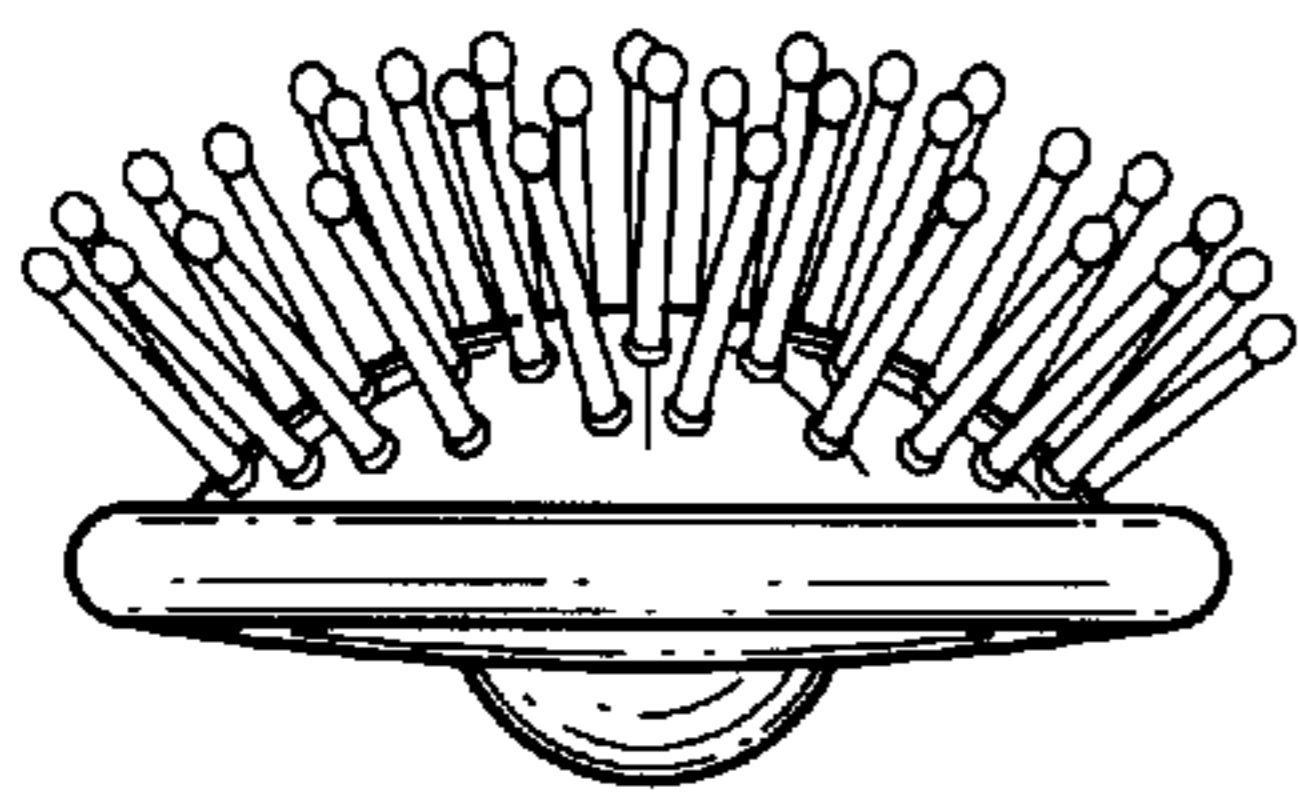


FIG. 6

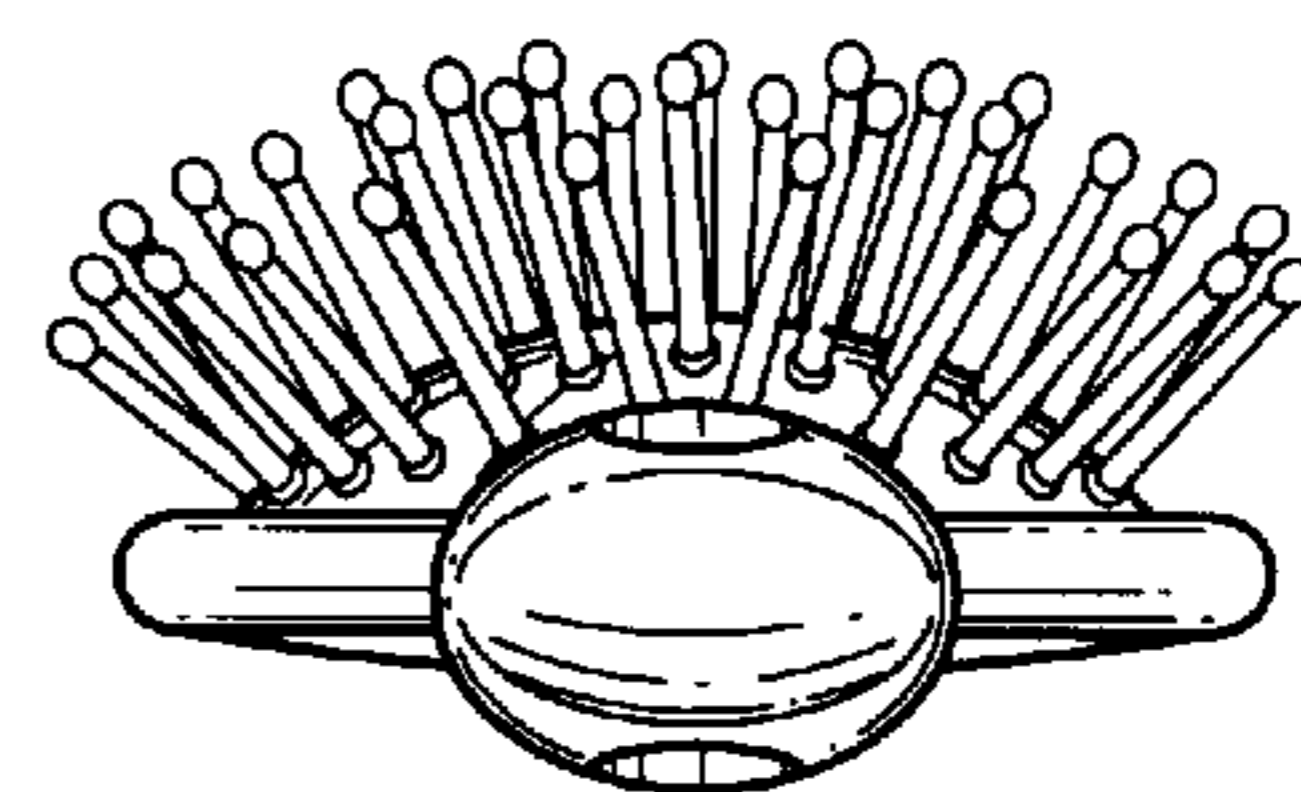


FIG. 7