



US00D541533S

(12) **United States Design Patent**
Huller

(10) **Patent No.:** **US D541,533 S**

(45) **Date of Patent:** **** May 1, 2007**

(54) **BRUSH WITH STRAIGHT HANDLE, AND
BACK SURFACE, HAVING SEVEN DOTS**

(76) Inventor: **Joachim Huller**, Reichenbergstrasse 3,
D-77716 Fischerbach (DE)

(**) Term: **14 Years**

(21) Appl. No.: **29/231,347**

(22) Filed: **Jun. 3, 2005**

(30) **Foreign Application Priority Data**

Dec. 3, 2004 (DE) 4 04 06 880

(51) **LOC (8) Cl.** **04-02**

(52) **U.S. Cl.** **D4/130; D4/134**

(58) **Field of Classification Search** D4/120,
D4/127, 132-134, 136-138, 130; D28/7,
D28/28, 63; 15/143.1, 159.1, 160, 186-188;
132/120, 313; 601/136-138

See application file for complete search history.

(56) **References Cited**

U.S. PATENT DOCUMENTS

- D28,683 S * 5/1898 La Pierre D4/134
- D336,945 S * 6/1993 Tsai D23/213
- D346,698 S * 5/1994 Hinnant D4/114
- D398,156 S * 9/1998 Jovaag D4/124
- 6,547,750 B2 * 4/2003 Huang 601/137
- D510,440 S * 10/2005 Huang D24/211
- 2002/0190952 A1 * 12/2002 Shah 345/163

FOREIGN PATENT DOCUMENTS

EP	0571799	12/1993
FR	2626455	8/1989
WO	9714331	4/1997

* cited by examiner

Primary Examiner—Alan P. Douglas

Assistant Examiner—Lavone D. Tabor

(74) *Attorney, Agent, or Firm*—Horst M. Kasper

(57) **CLAIM**

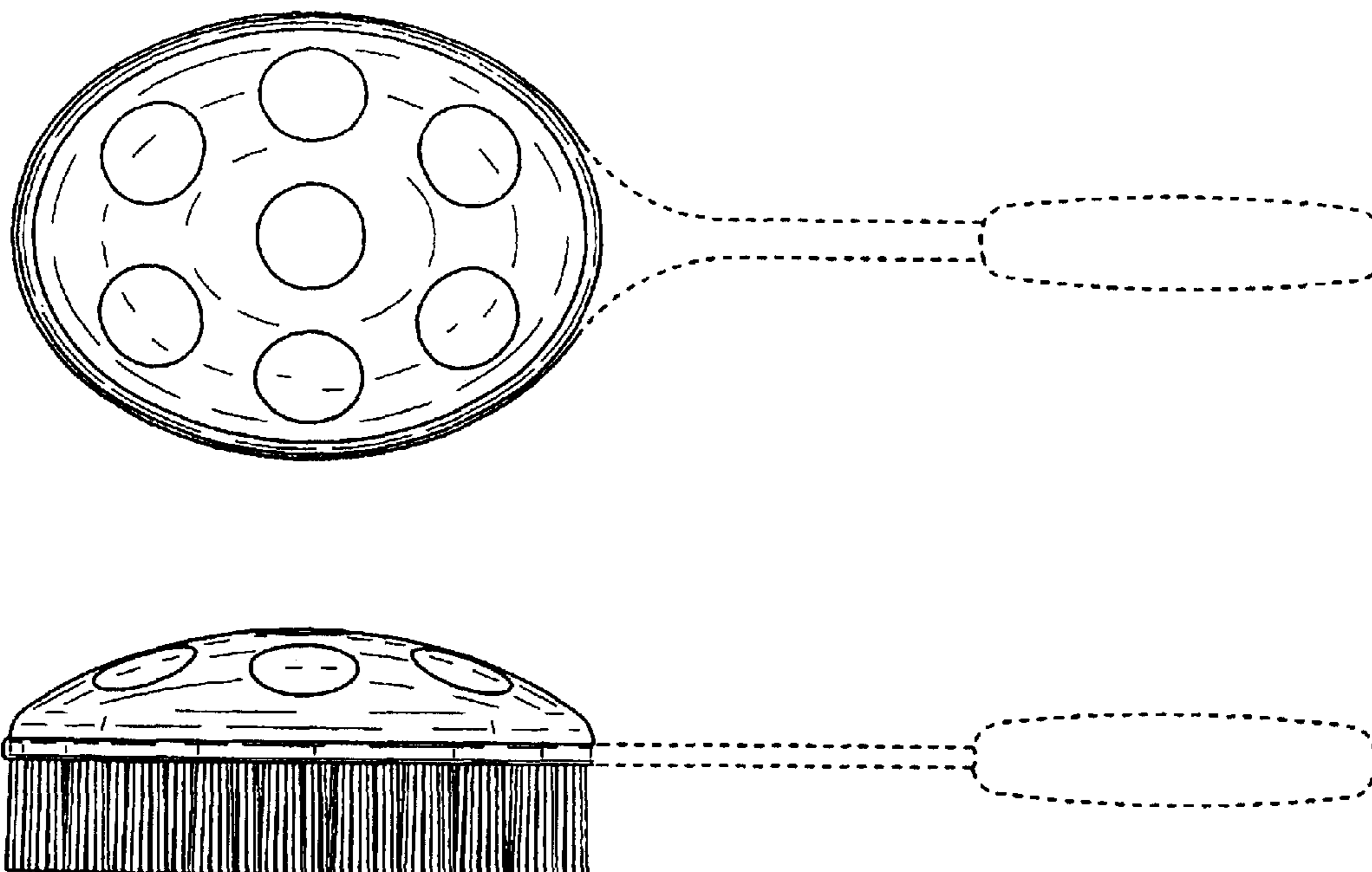
The ornamental design for a brush with straight handle and back surface having seven dots, as shown and described.

DESCRIPTION

FIG. 1 is a top plan view of a brush with straight handle and back surface having seven dots showing my new design; FIG. 2 is a left side elevational view thereof; FIG. 3 is a right side elevational view thereof; FIG. 4 is a front elevational view thereof; FIG. 5 is a rear elevational view thereof; and, FIG. 6 is a perspective view thereof.

The claimed brush with straight handle and back surface having seven dots is used for cleaning shoes and clothing. The broken line showing of a handle is included for the purpose of illustrating a portion of the brush that forms no part of the claimed design.

1 Claim, 2 Drawing Sheets



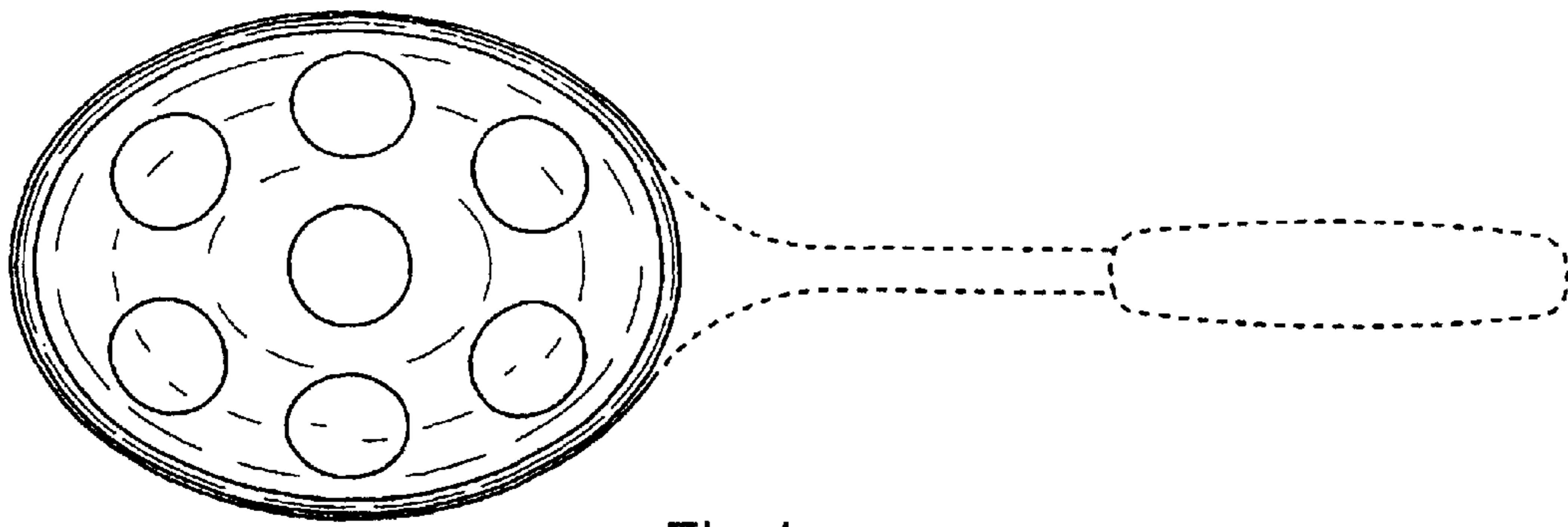


Fig. 1

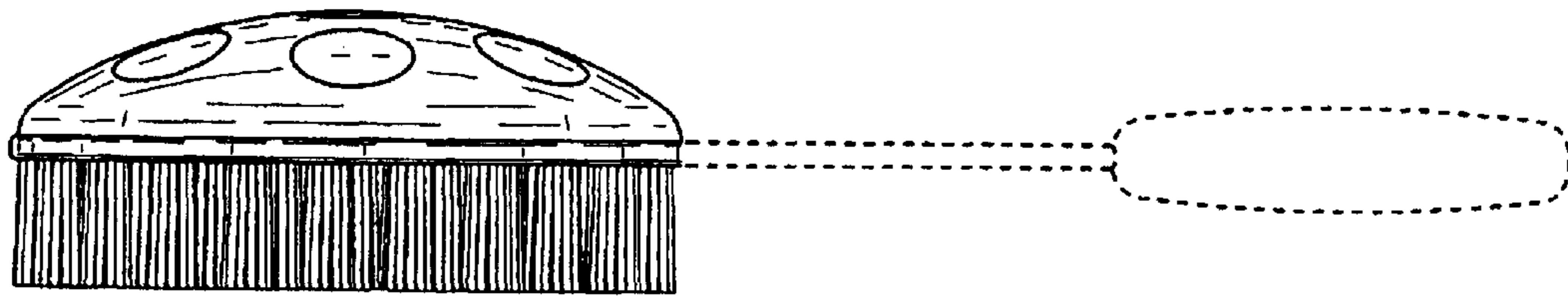


Fig. 2

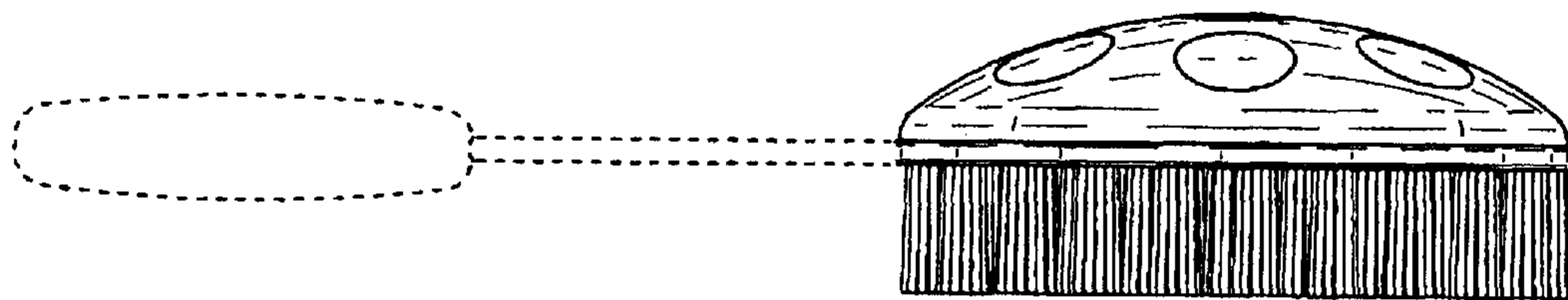


Fig. 3

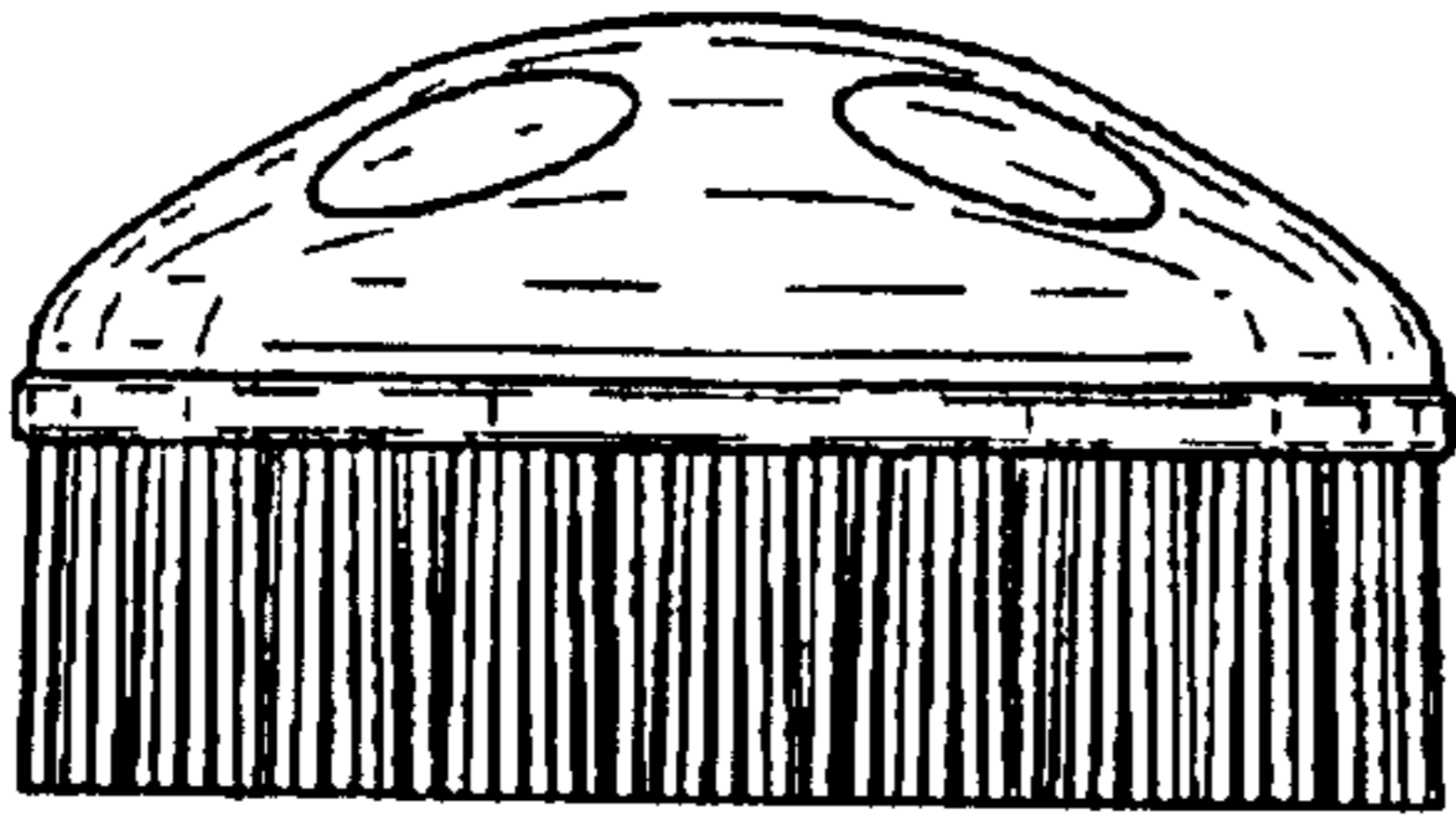


Fig.4

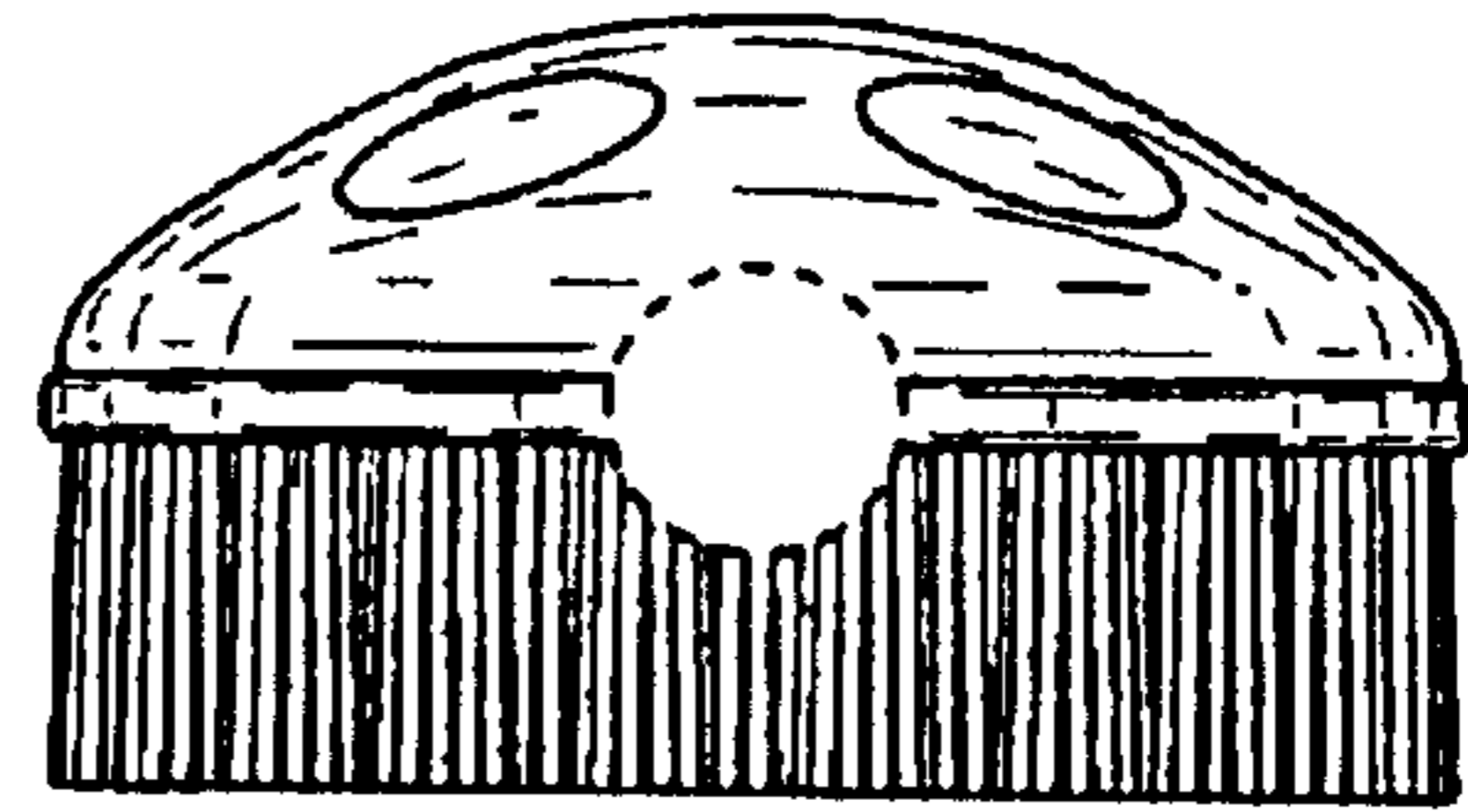


Fig.5

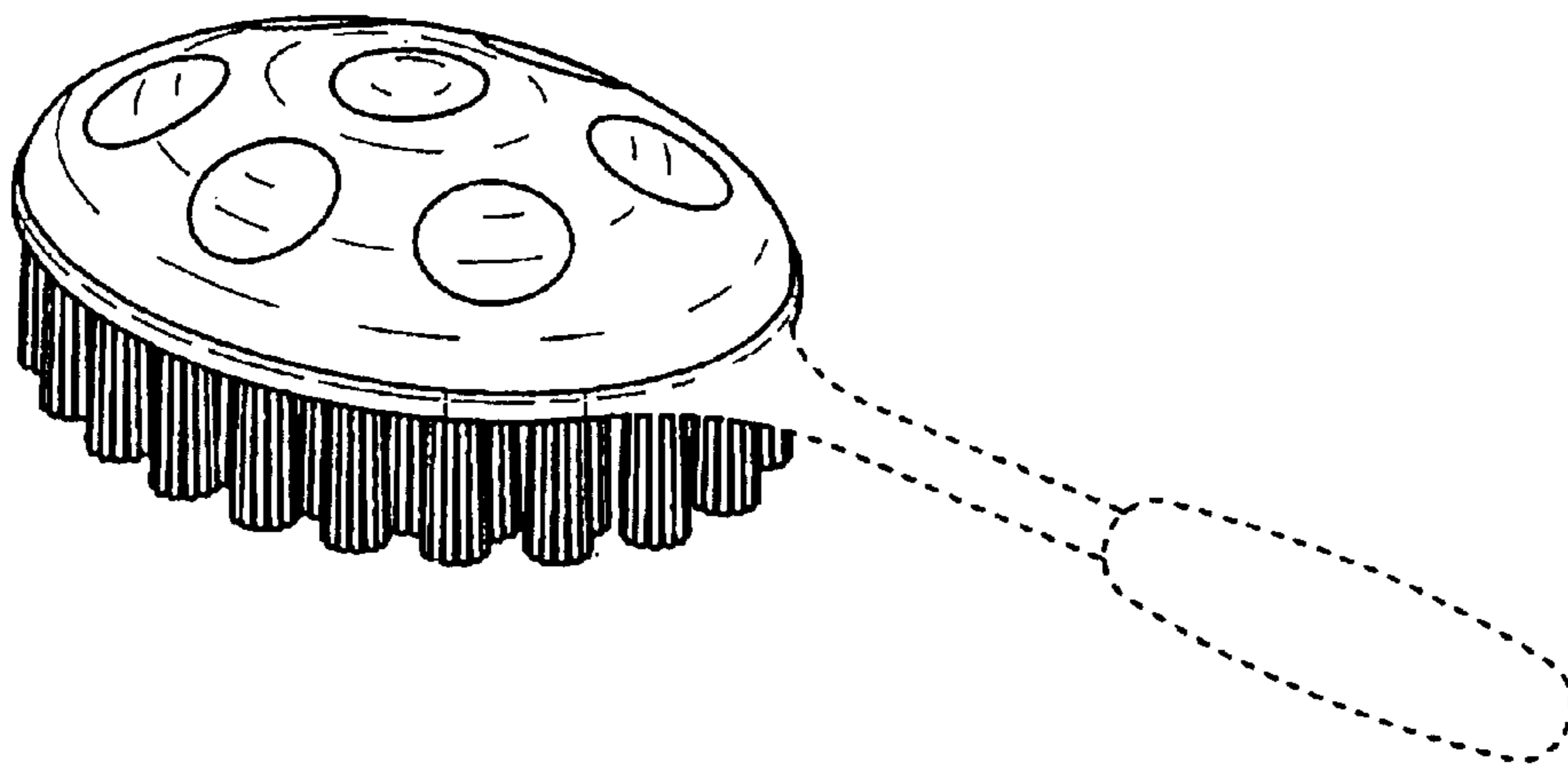


Fig.6