



US00D541532S

(12) **United States Design Patent Grant**

(10) **Patent No.: US D541,532 S**

(45) **Date of Patent: ** May 1, 2007**

(54) **APPLICATOR DEVICE**

(75) Inventor: **Bradford Grant**, Bridgewater, NJ (US)

(73) Assignee: **McNeil-PPC, Inc.**, New Brunswick, NJ (US)

(**) Term: **14 Years**

(21) Appl. No.: **29/242,277**

(22) Filed: **Nov. 8, 2005**

Related U.S. Application Data

(63) Continuation of application No. 29/230,176, filed on May 18, 2005, now abandoned, which is a continuation of application No. 29/203,617, filed on Apr. 16, 2004, now abandoned.

(51) **LOC (8) Cl.** **04-02**

(52) **U.S. Cl.** **D4/108; D4/114**

(58) **Field of Classification Search** D4/104-114, D4/134, 136, 138; D9/718, 723, 724; D24/146, D24/147, 211, 214; D28/7, 20, 23, 63; 15/110, 15/143.1, 167.1, 167.2, 188, 207.2, DIG. 5; 132/308, 311; 401/28, 143, 145, 149, 152, 401/156-158, 162, 183, 184, 186, 268, 270, 401/271, 278, 279, 282, 284, 286, 291; 601/139, 601/141

See application file for complete search history.

(56) **References Cited**

U.S. PATENT DOCUMENTS

D116,162 S * 8/1939 Hall D4/136
3,408,150 A * 10/1968 Figa 132/311 X
3,938,897 A * 2/1976 Craig 401/286 X
4,580,588 A * 4/1986 Swope, Jr. 132/311
5,398,367 A * 3/1995 Lu 15/167.1

D357,809 S * 5/1995 Brown et al. D4/113
D373,250 S * 9/1996 Cavazza D4/104
D495,803 S * 9/2004 Gough et al. D24/211

FOREIGN PATENT DOCUMENTS

GB 2330523 A * 4/1999
JP 2003024140 A * 1/2003
WO WO 9009122 A1 * 8/1990

* cited by examiner

Primary Examiner—Alan P. Douglas
Assistant Examiner—Lavone D. Tabor

(74) *Attorney, Agent, or Firm*—Karen G. Horowitz; Evan J. Federman

(57) **CLAIM**

I claim the ornamental design for an applicator device, as shown and described.

DESCRIPTION

FIG. 1 is a front perspective view of an applicator device; FIG. 2 is a side elevation view of the applicator device shown in FIG. 1;

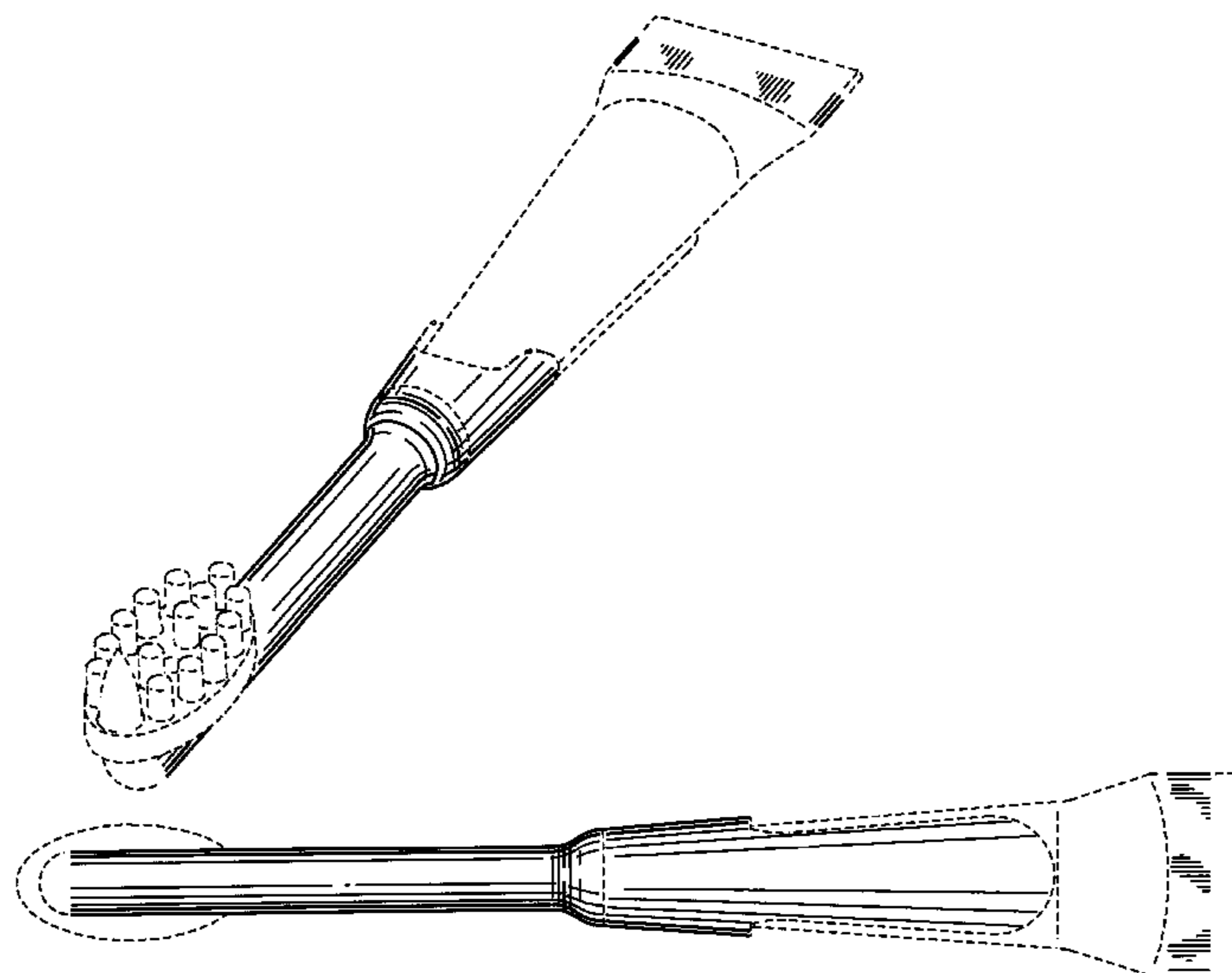
FIG. 3 is a front elevation view of the applicator device shown in FIG. 1;

FIG. 4 is a rear elevation view of the applicator device shown in FIG. 1; and,

FIG. 5 is a top view of the applicator device shown in FIG. 1.

The claim ends along the edges defined by the surface shading on the distal end of the neck and the flattened free end of the handle. The broken lines immediately adjacent the surface shading represent the bounds of the claimed design and all of the other broken lines are for illustrative purposes only. None of the broken lines form part of the claimed design.

1 Claim, 3 Drawing Sheets



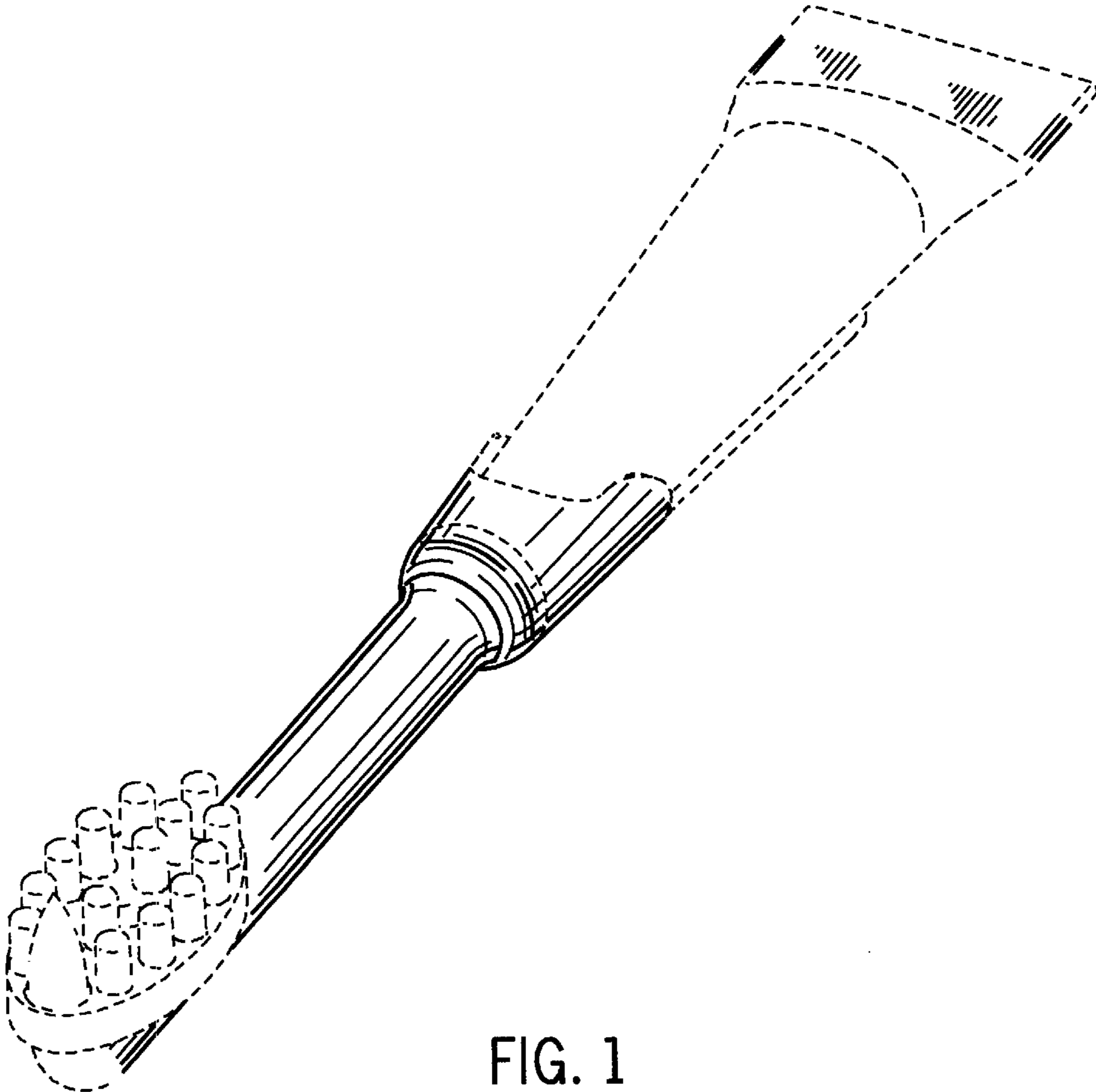


FIG. 1

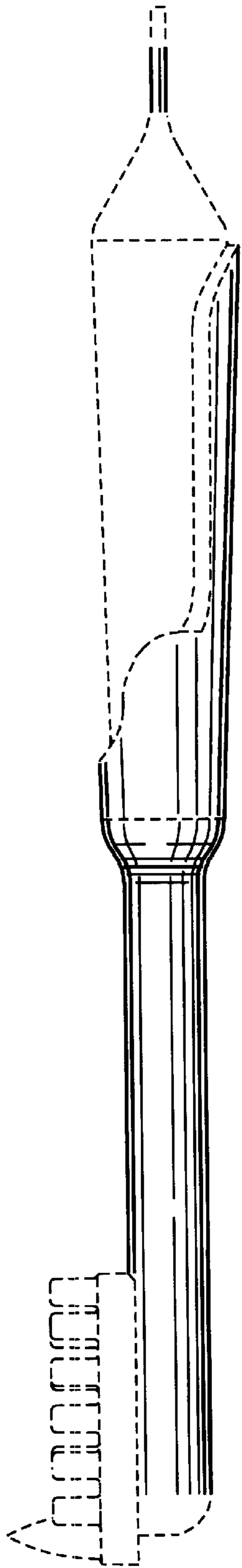


FIG. 2

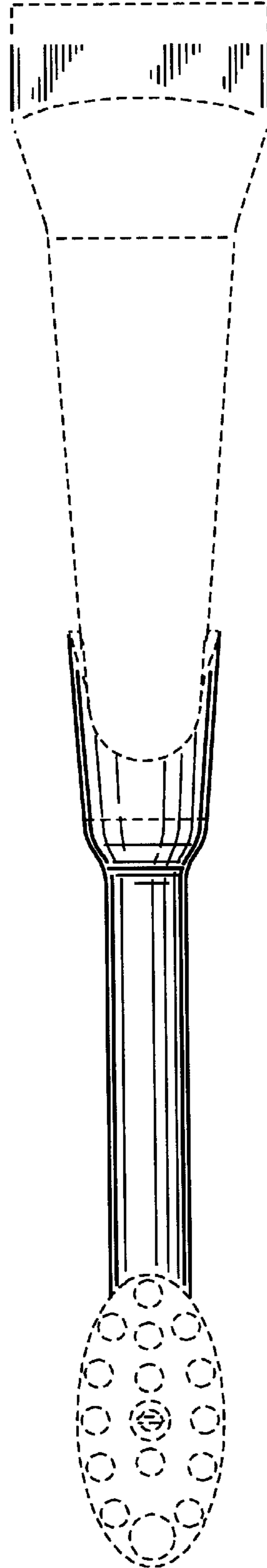


FIG. 3

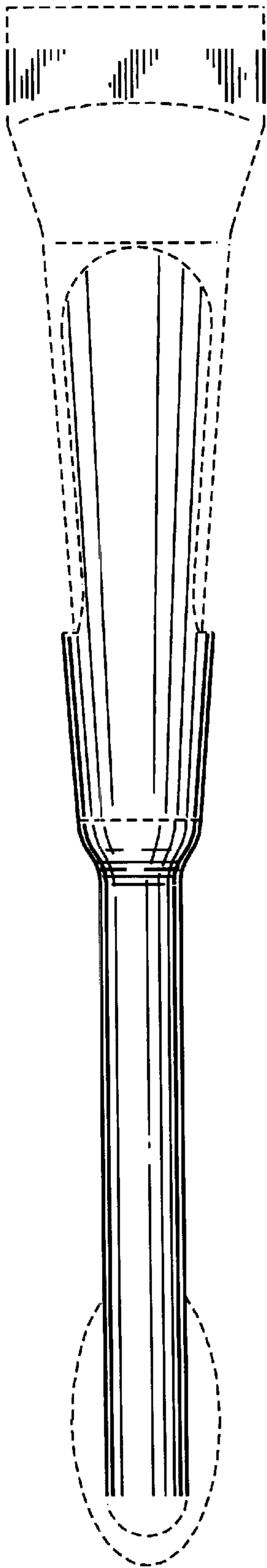


FIG. 4

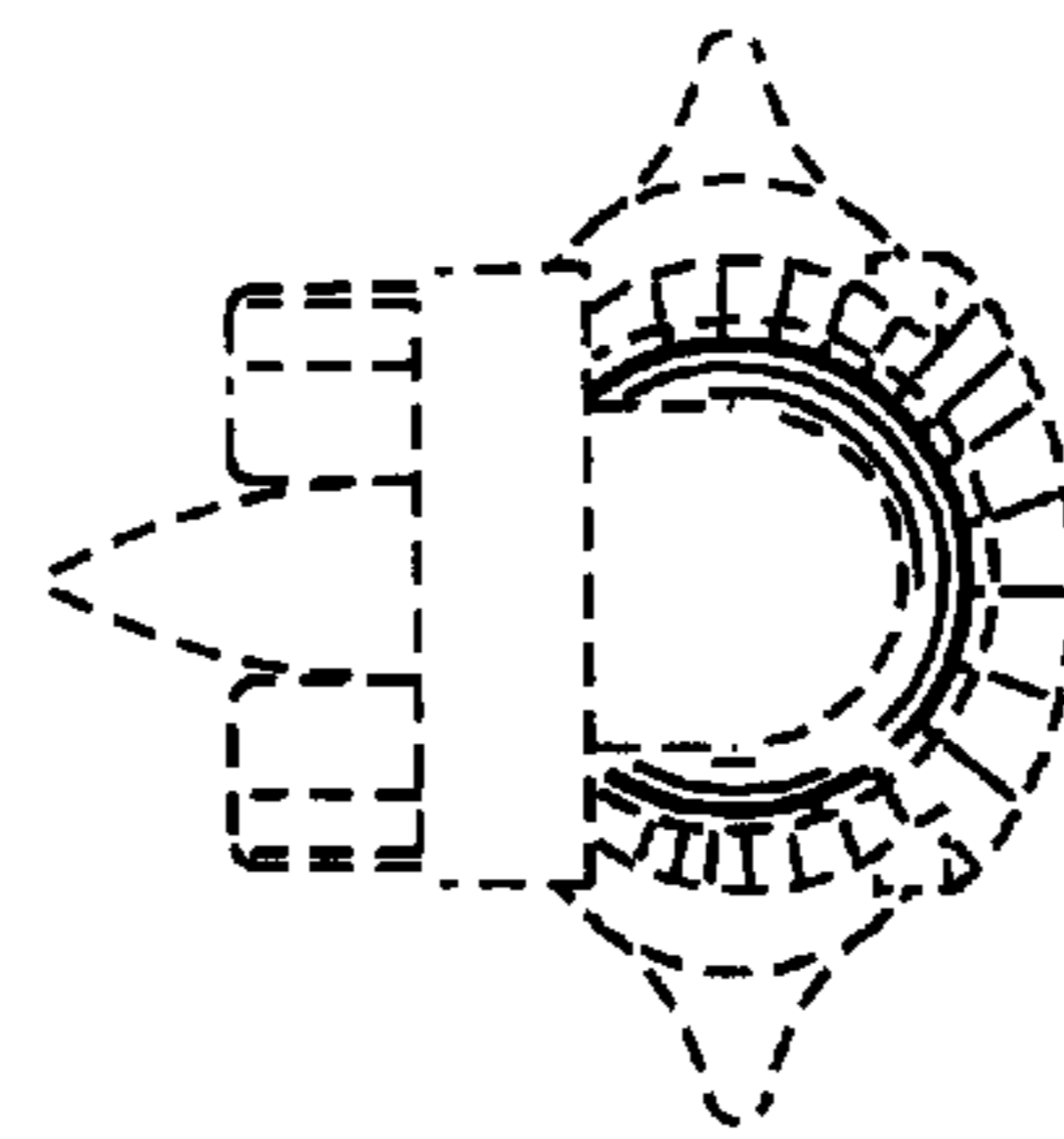


FIG. 5