

US00D541531S

(12) **United States Design Patent** (10) **Patent No.:** **US D541,531 S**  
**Leao** (45) **Date of Patent:** **\*\* May 1, 2007**

(54) **BASKET TOTE**

(75) Inventor: **Flavio De Roma Leao**, Bronx, NY (US)

(73) Assignee: **Casabella Holdings LLC**, Blauvelt, NY (US)

(\*\*) Term: **14 Years**

(21) Appl. No.: **29/263,214**

(22) Filed: **Jul. 19, 2006**

(51) **LOC (8) Cl.** ..... **03-01**

(52) **U.S. Cl.** ..... **D3/308**

(58) **Field of Classification Search** ..... D3/303-305, D3/308, 310, 313, 901, 904; D7/701, 706; D32/53, 53.1, 54; 206/234, 349, 372, 373; 220/500, 505, 506-507, 752, 904; 224/901, 224/904

See application file for complete search history.

(56) **References Cited**

**U.S. PATENT DOCUMENTS**

D142,388 S	9/1945	Bourdus	
2,838,221 A	8/1958	Wilson	
D204,512 S	4/1966	Bromley	
D218,722 S	9/1970	Vaccaro	
3,967,819 A *	7/1976	Lewis	..... 473/485
D252,479 S	7/1979	Goeden	
D265,010 S	6/1982	Wood	
4,792,024 A	12/1988	Morton et al.	
4,923,744 A	5/1990	Peeters	
D314,279 S	2/1991	Hotchkiss	
D320,687 S	10/1991	Perry	
D325,280 S	4/1992	Nelson	
D326,347 S *	5/1992	Ancona et al.	..... D3/308
D327,562 S	6/1992	Brightbill	
D329,135 S	9/1992	Embree	
D330,513 S	10/1992	Gilchrist	
D330,791 S	11/1992	Benjamin	

(Continued)

*Primary Examiner*—Louis S. Zarfes

*Assistant Examiner*—Eric L. Goodman

(74) *Attorney, Agent, or Firm*—Venable LLP; Michael R. Graif; Steven J. Schwarz

(57) **CLAIM**

The ornamental design for a basket tote, as shown and described.

**DESCRIPTION**

FIG. 1 is a perspective view of an embodiment of the basket tote of the claimed design;

FIG. 2 is a front elevational view of the basket tote of FIG. 1;

FIG. 3 is a rear elevational view of the basket tote of FIG. 1;

FIG. 4 is a right side elevational view of the basket tote of FIG. 1;

FIG. 5 is a left side elevational view of the basket tote of FIG. 1;

FIG. 6 is a top plan view of the basket tote of FIG. 1;

FIG. 7 is a bottom plan view of the basket tote of FIG. 1;

FIG. 8 is a perspective view of two of the basket totes of FIG. 1 in a nesting arrangement;

FIG. 9 is a perspective view of another embodiment of the basket tote of the claimed design;

FIG. 10 is a front elevational view of the basket tote of FIG. 9;

FIG. 11 is a rear elevational view of the basket tote of FIG. 9;

FIG. 12 is a right side elevational view of the basket tote of FIG. 9;

FIG. 13 is a left side elevational view of the basket tote of FIG. 9;

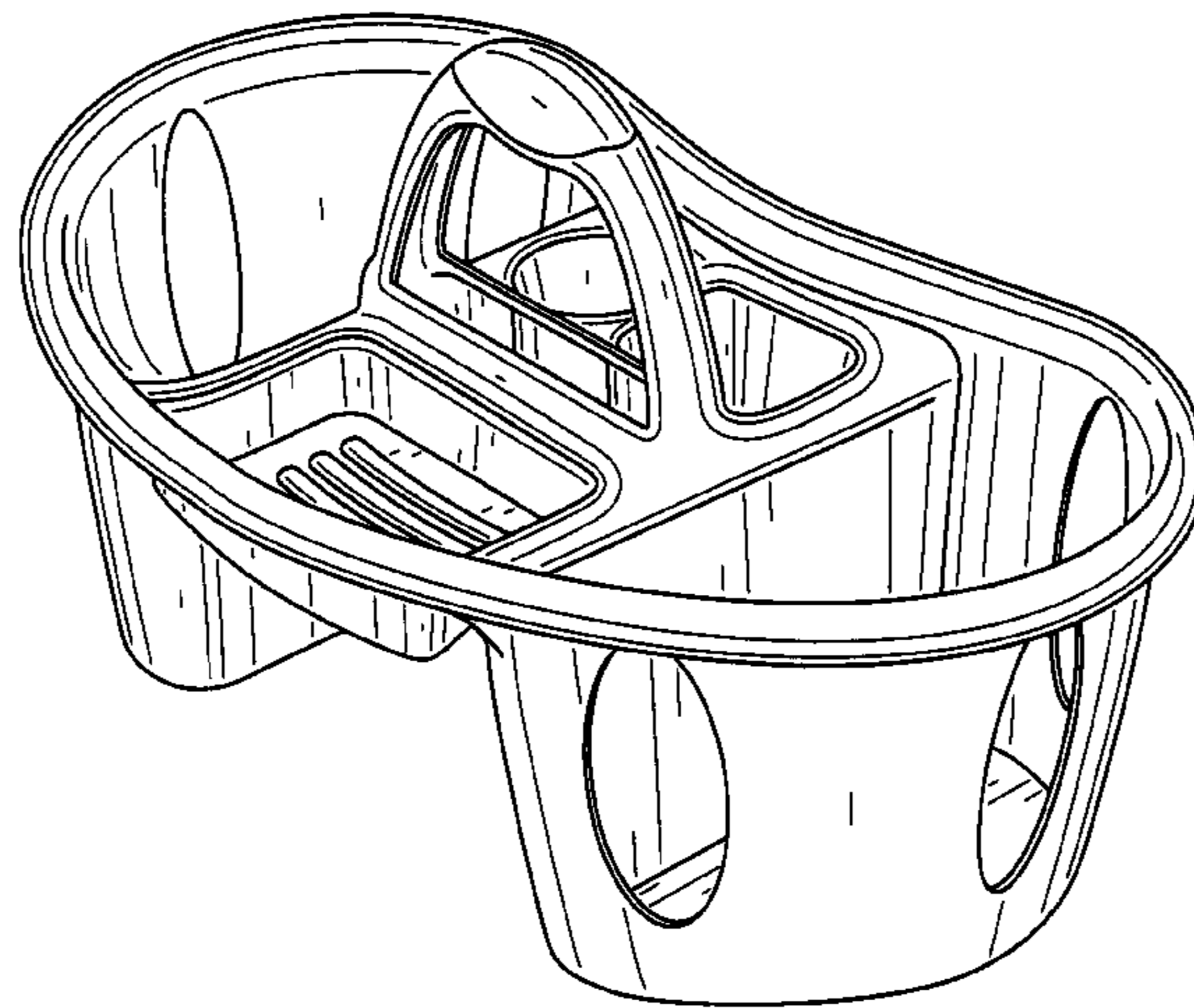
FIG. 14 is a top plan view of the basket tote of FIG. 9;

FIG. 15 is a bottom plan view of the basket tote of FIG. 9; and,

FIG. 16 is a perspective view of two of the basket totes of FIG. 9 in a nesting arrangement.

The features shown in broken lines are environment only and not part of the claimed design.

**1 Claim, 16 Drawing Sheets**



# US D541,531 S

Page 2

---

## U.S. PATENT DOCUMENTS

D341,482 S	11/1993	Ballester		D420,221 S	*	2/2000	Williams et al. ....	D3/315	
D347,942 S	*	6/1994	Gilbert et al. ....	D3/308	6,039,205 A	*	3/2000	Flink .....	220/659
D355,553 S		2/1995	Tiramani		6,062,389 A	*	5/2000	Kent .....	206/518
D357,119 S		4/1995	Calmeise et al.		D444,302 S		7/2001	Jones	
D361,664 S		8/1995	Brown		6,460,697 B1		10/2002	Stevens	
D364,039 S		11/1995	Kruger		D482,555 S		11/2003	Johansson et al.	
D369,242 S	*	4/1996	Tiramani .....	D3/308	D487,825 S		3/2004	Kim et al.	
D381,229 S	*	7/1997	Yemini .....	D6/525	D487,845 S		3/2004	Johansson et al.	
D381,562 S		7/1997	Westcott		6,745,895 B2		6/2004	Silvers	
D382,711 S		8/1997	Wyman		D521,705 S	*	5/2006	Kent .....	D32/54
D386,341 S		11/1997	Walker		D522,751 S	*	6/2006	Irwin et al. ....	D3/315
D386,616 S	*	11/1997	Nimer .....	D3/308	7,080,416 B1		7/2006	Portnell	
5,702,140 A		12/1997	Radja		2006/0027469 A1	*	2/2006	Irwin et al. ....	206/216
D400,712 S	*	11/1998	Hampshire .....	D3/309	2006/0226154 A1	*	10/2006	Lundy et al. ....	220/507

\* cited by examiner

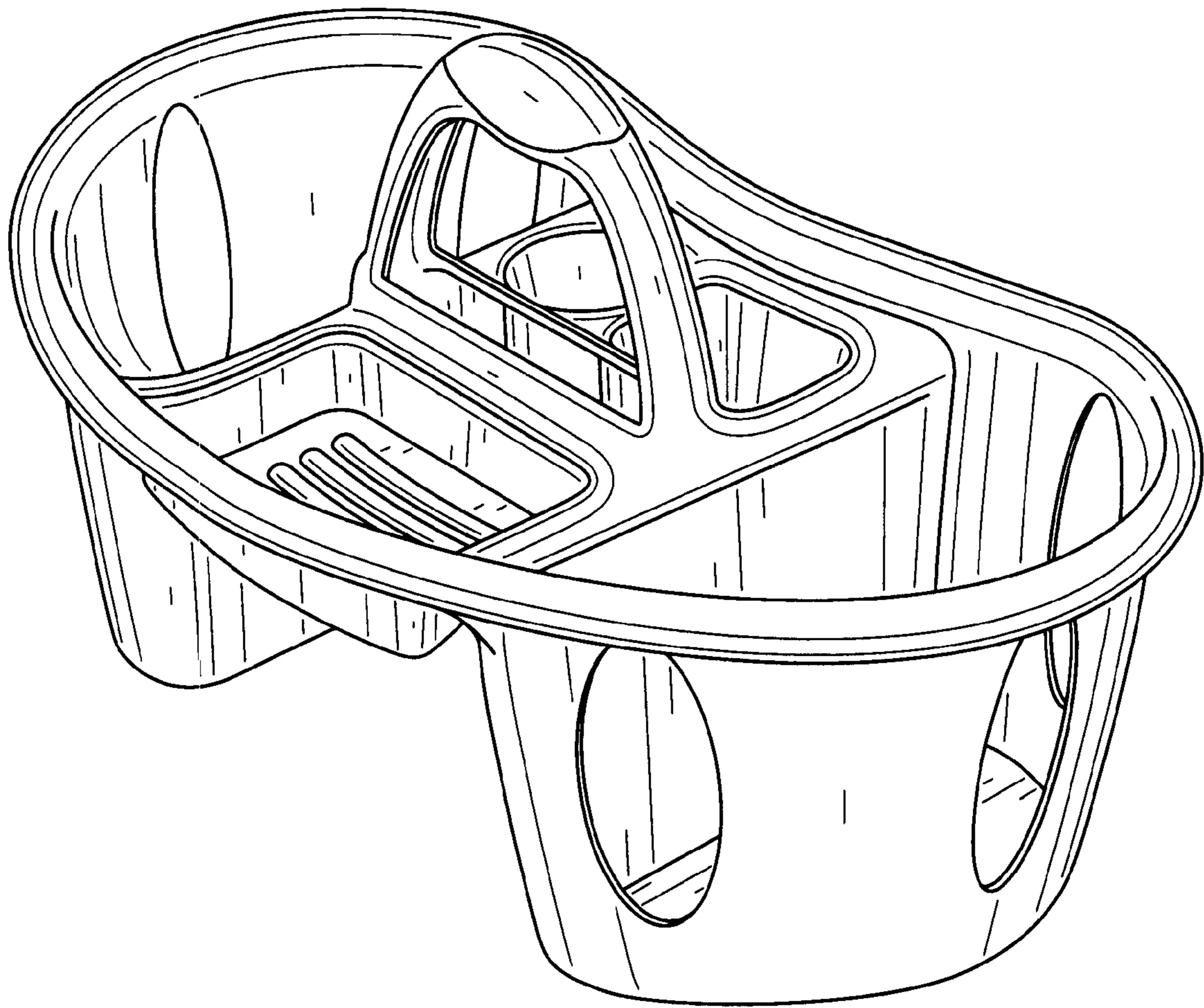


FIG. 1

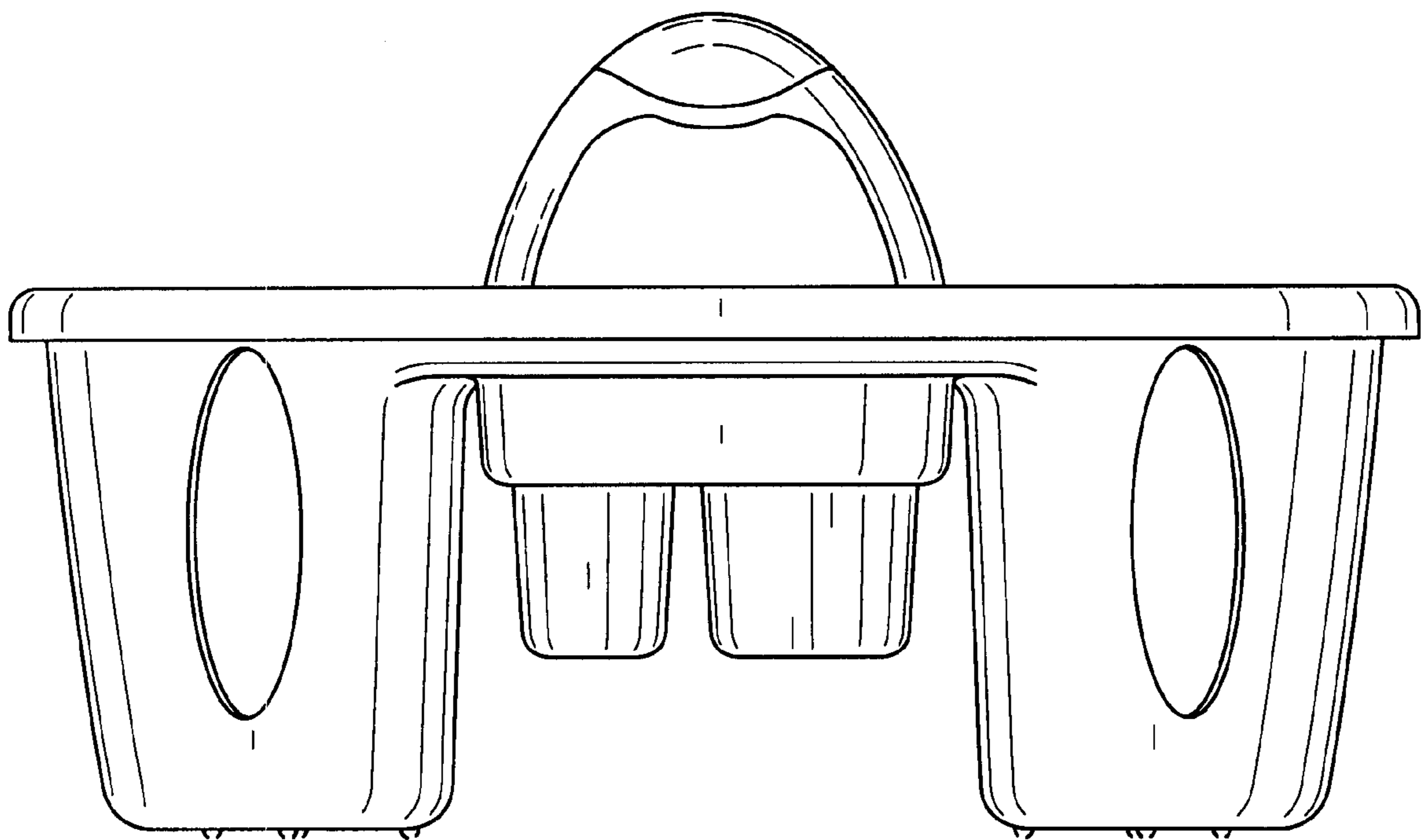


FIG. 2

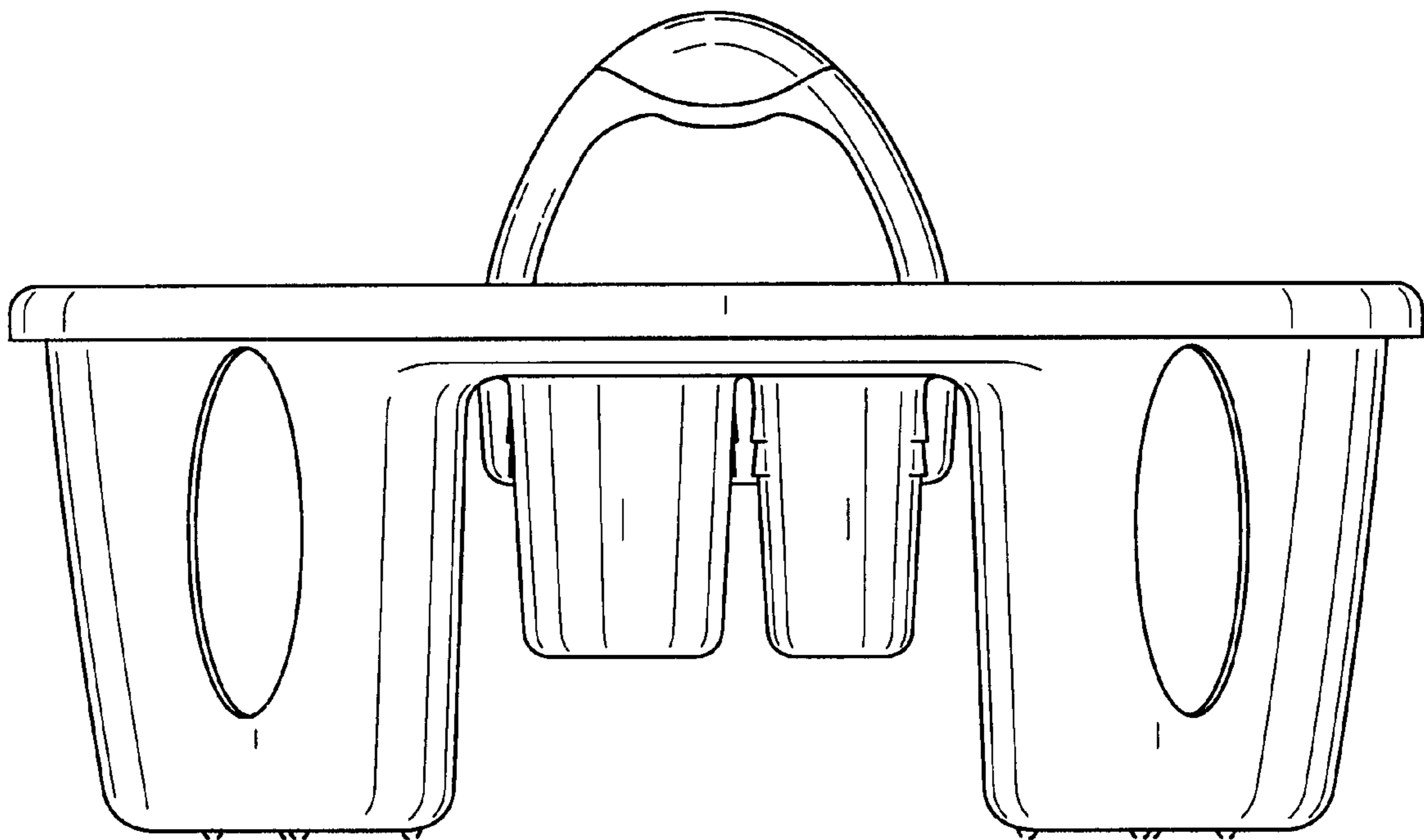


FIG. 3



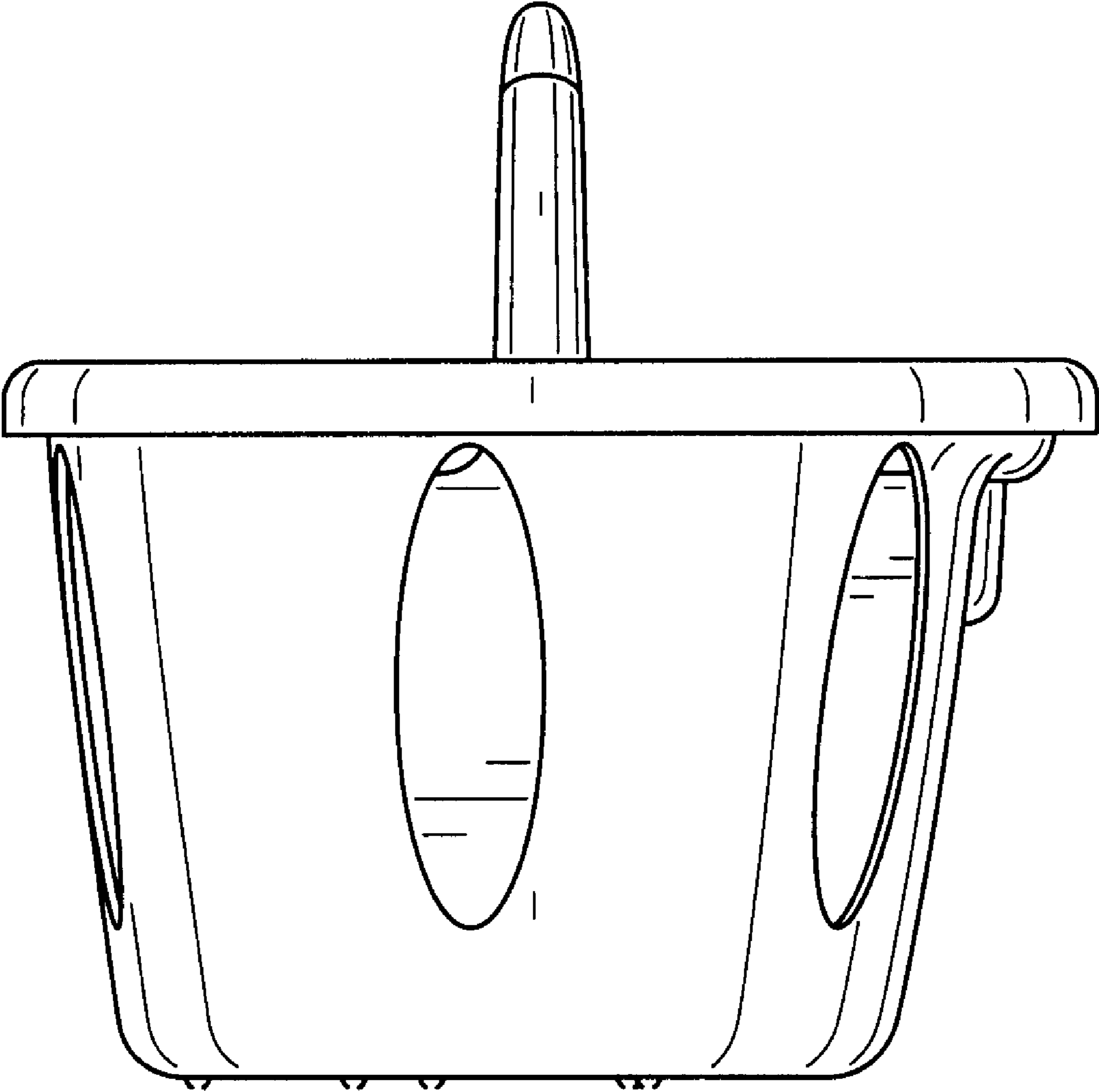


FIG. 4

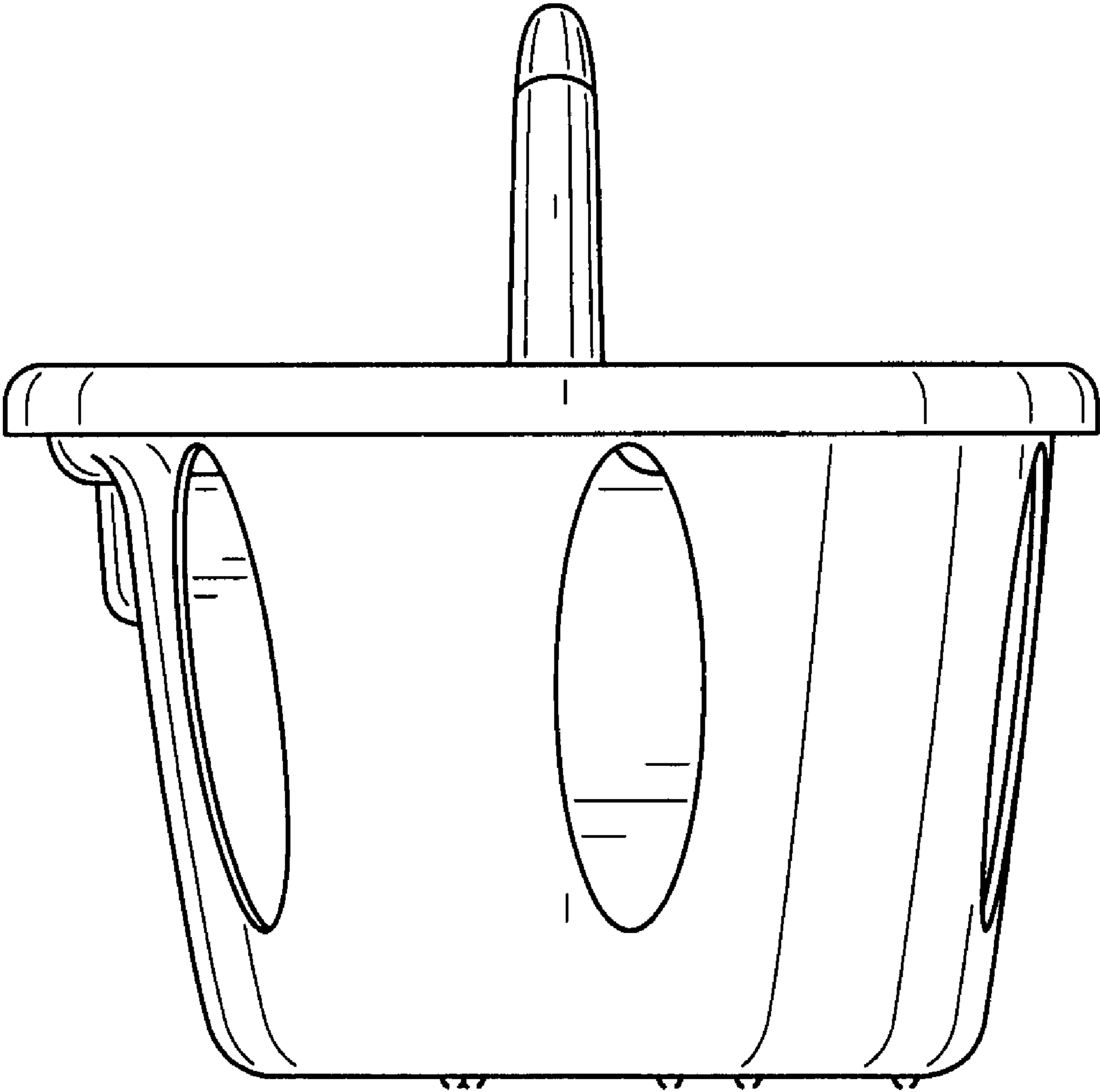


FIG. 5

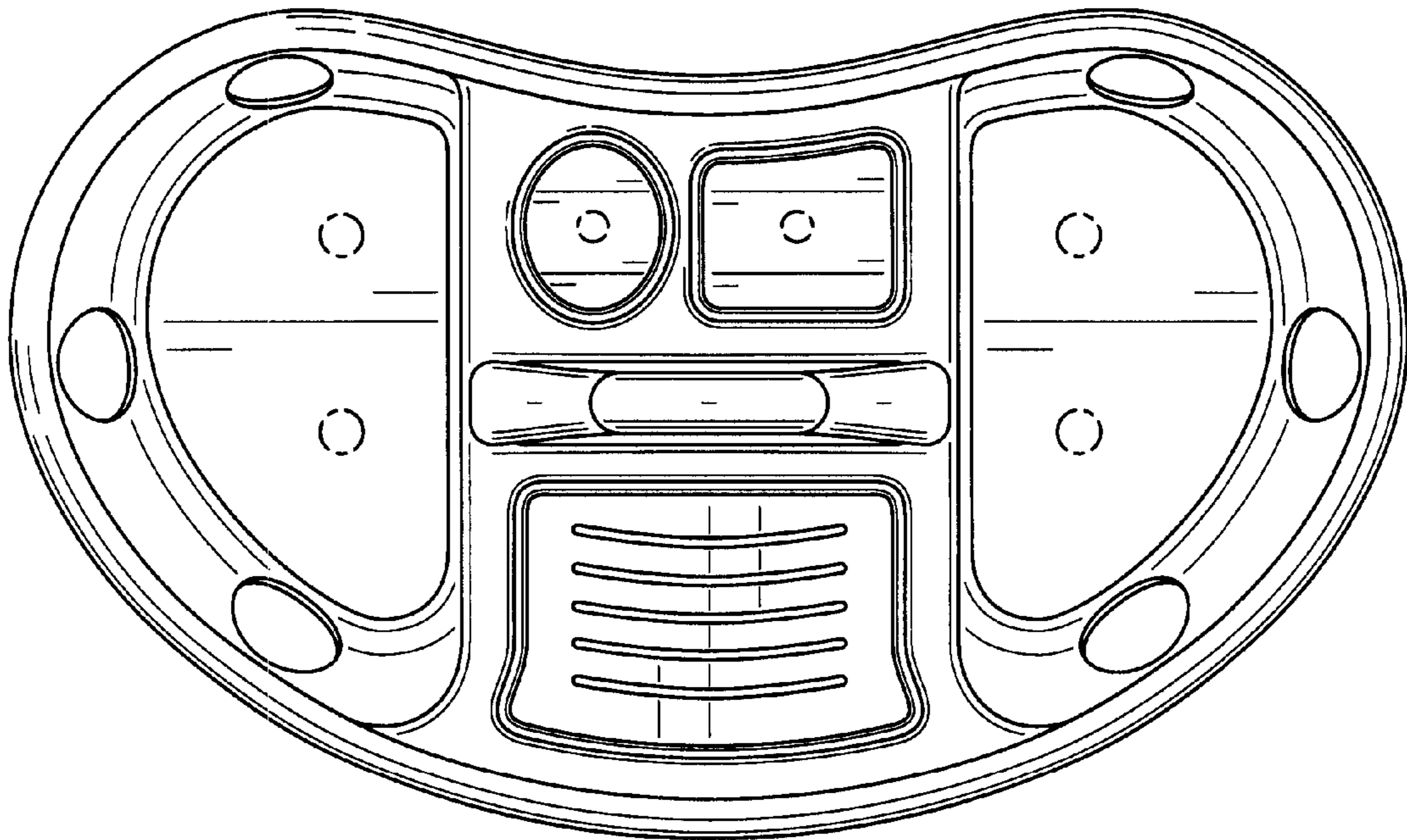


FIG. 6



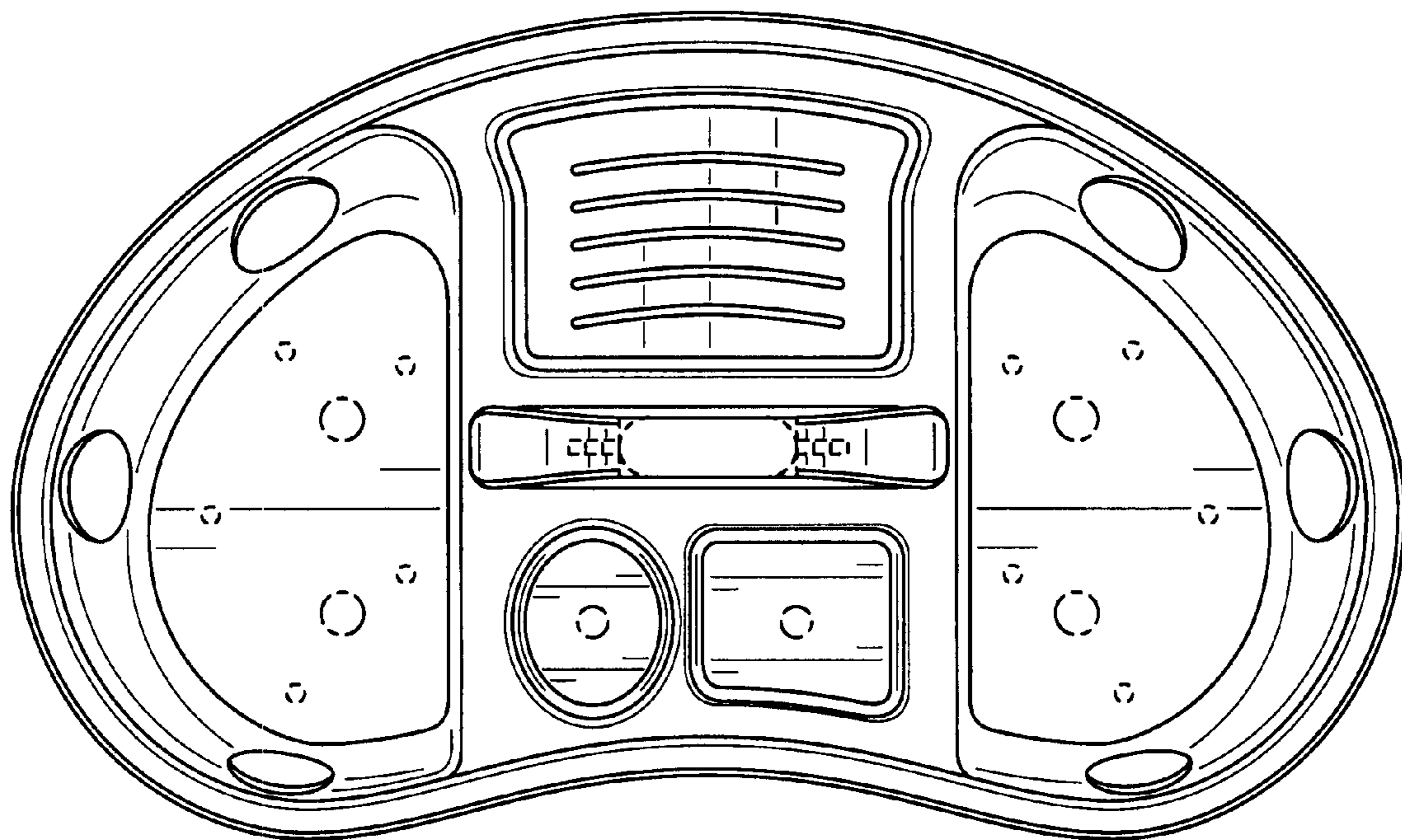


FIG. 7

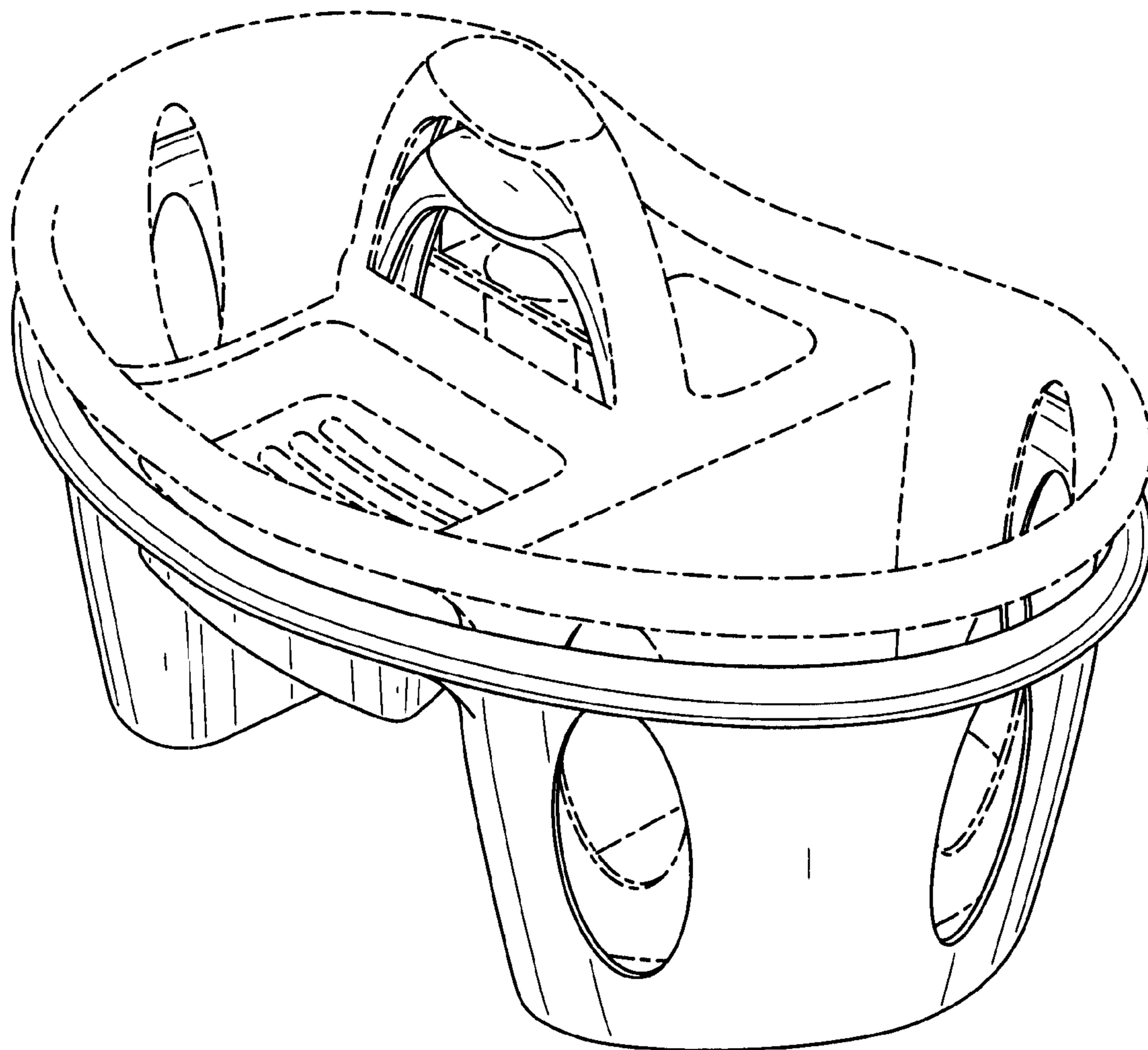


FIG. 8

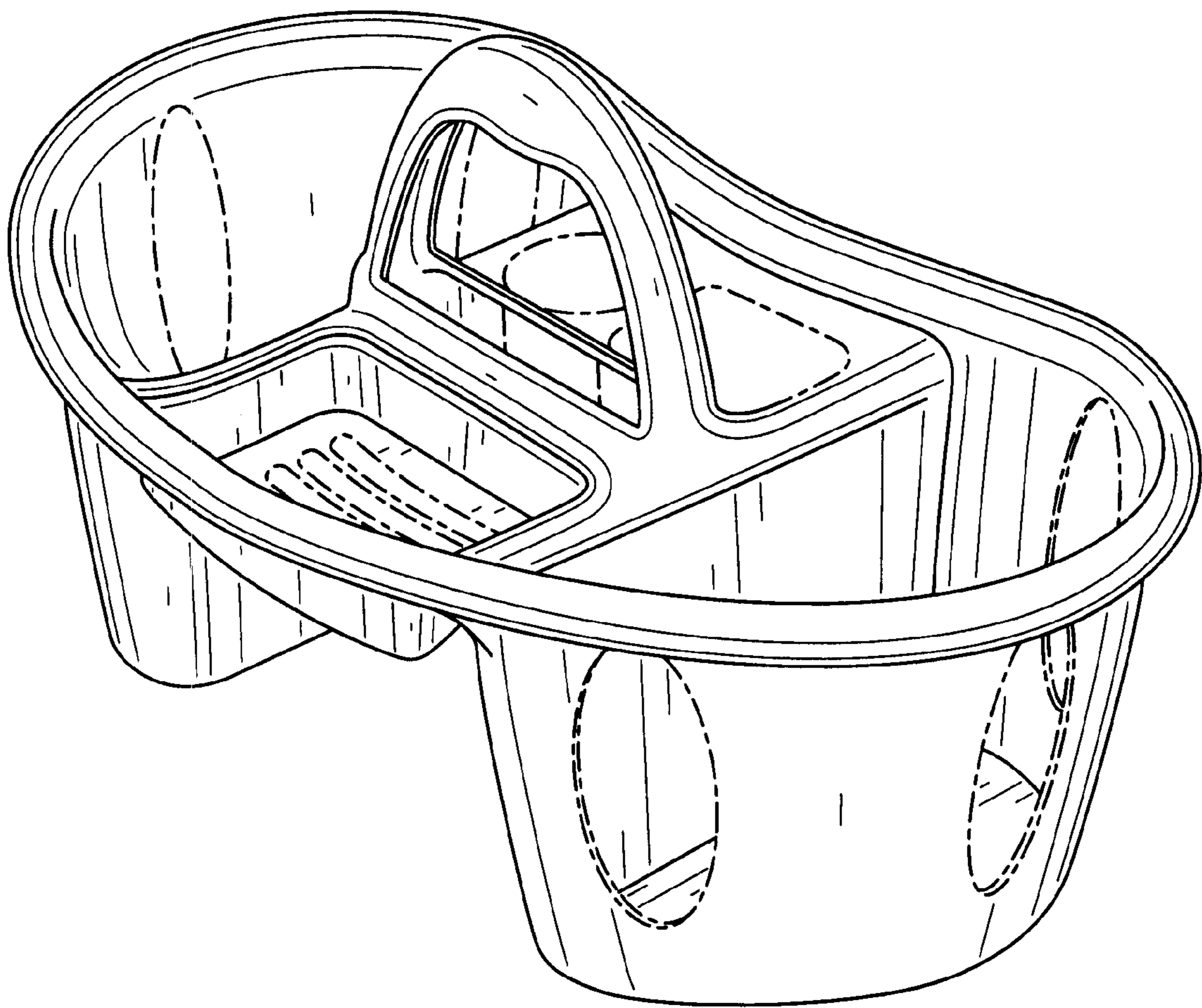


FIG. 9

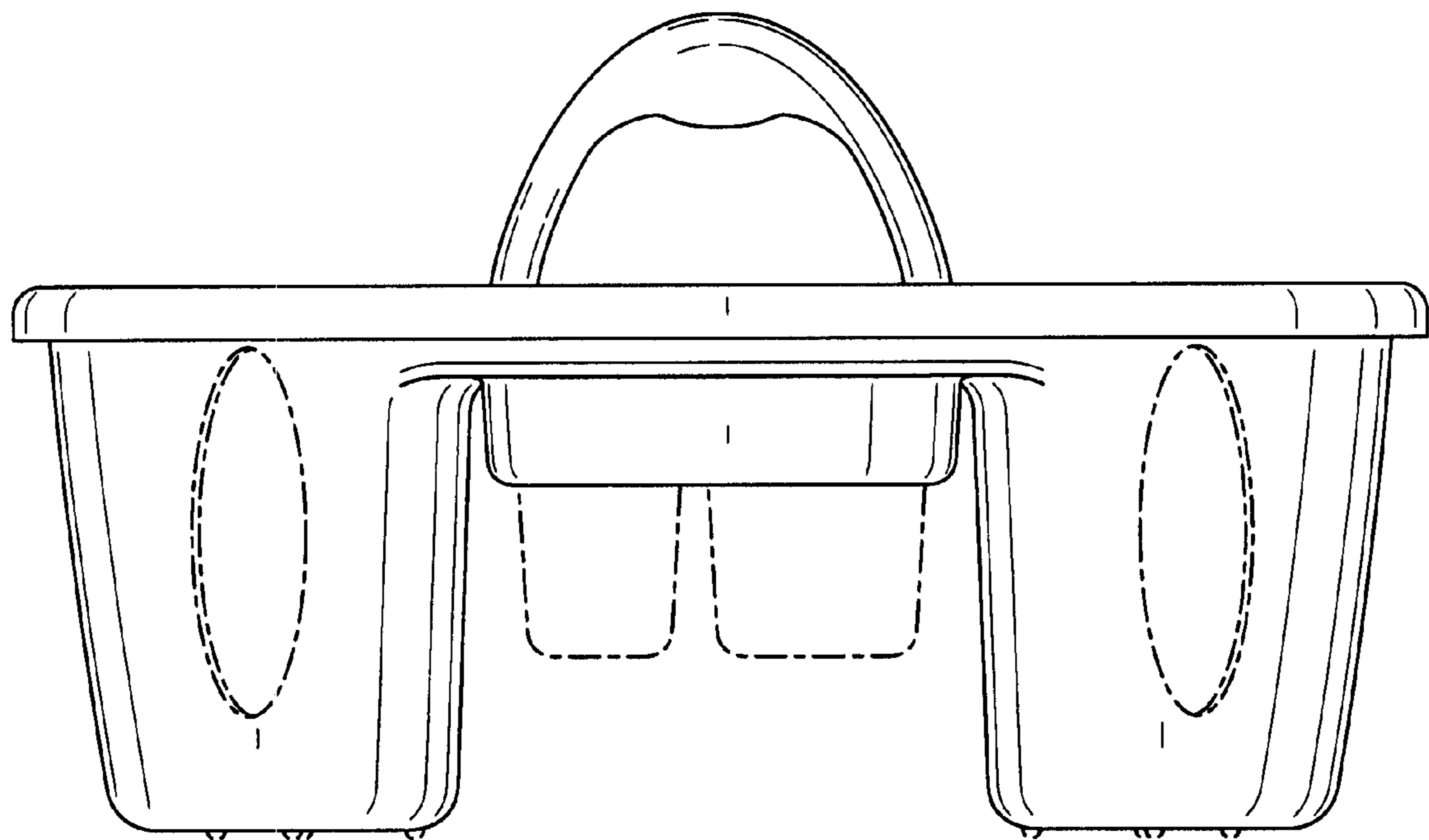


FIG. 10

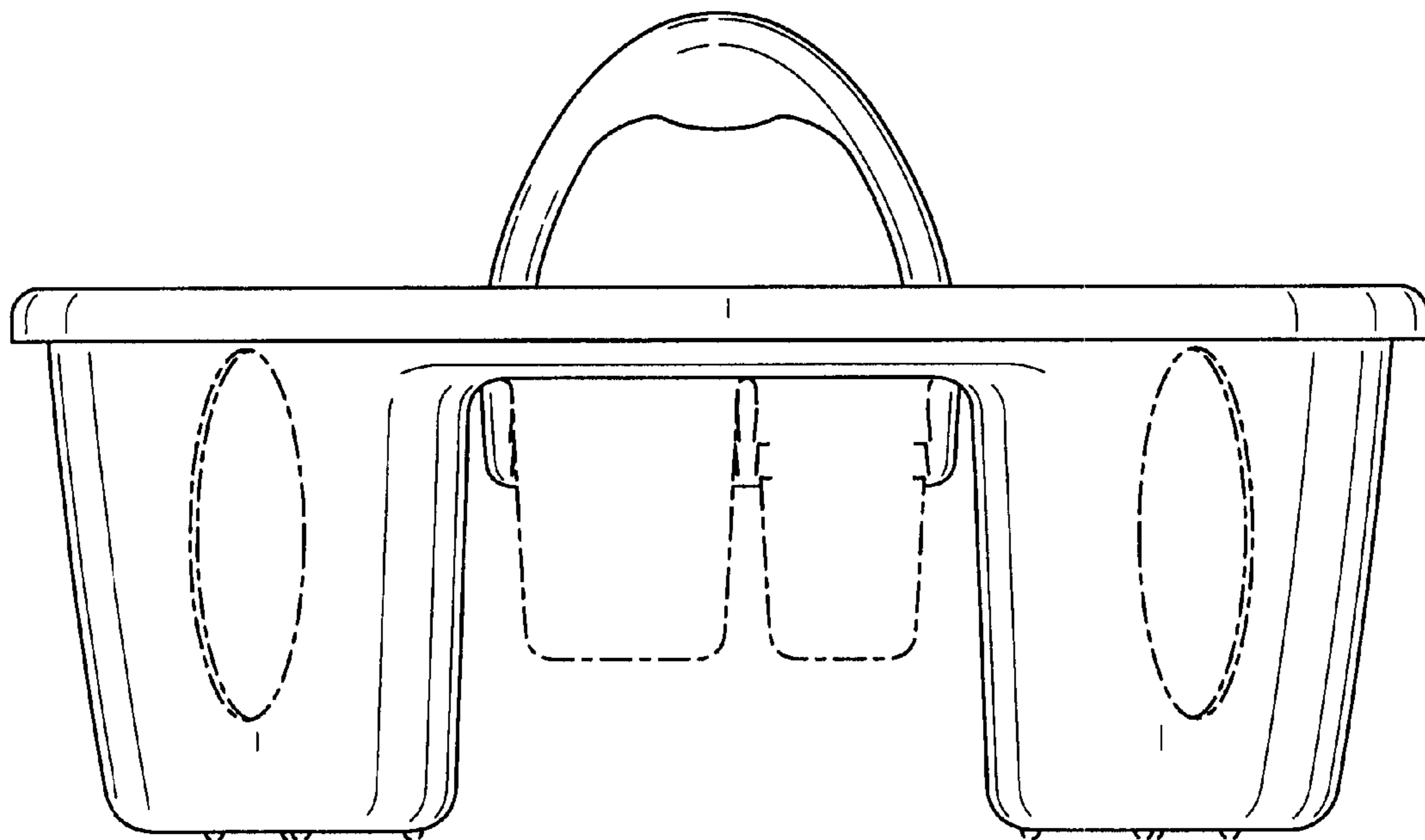


FIG. 11

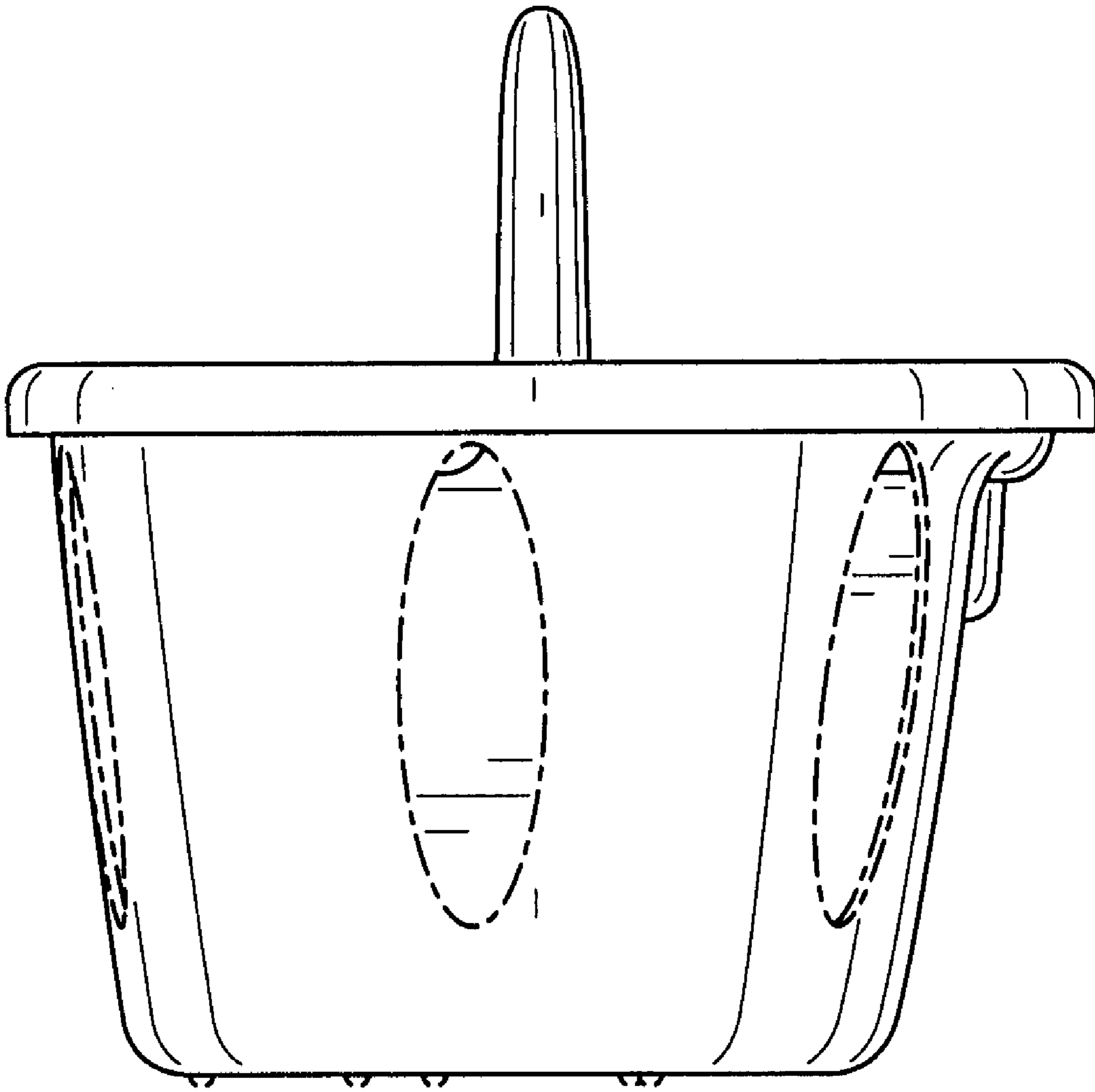


FIG. 12



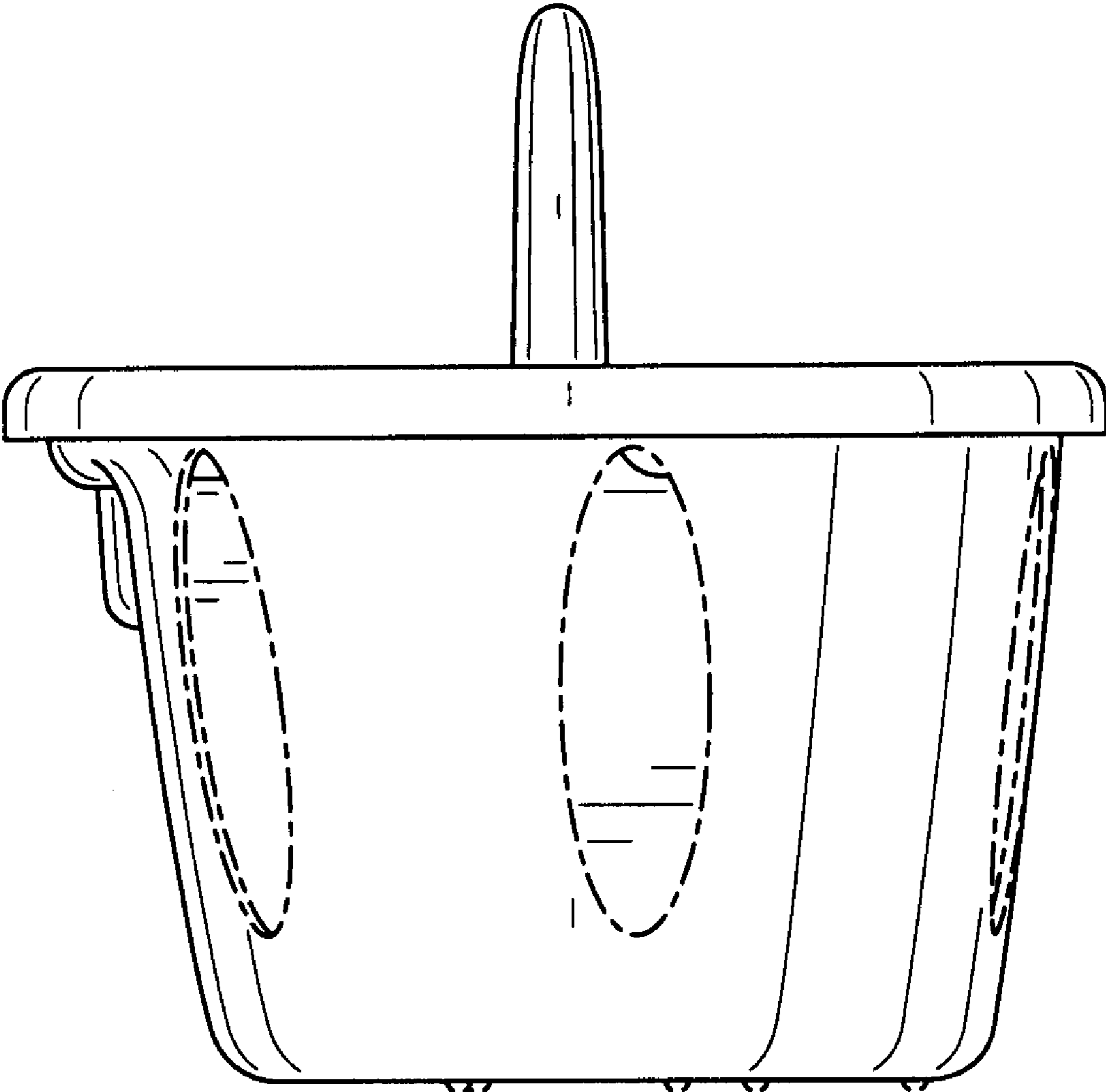


FIG. 13

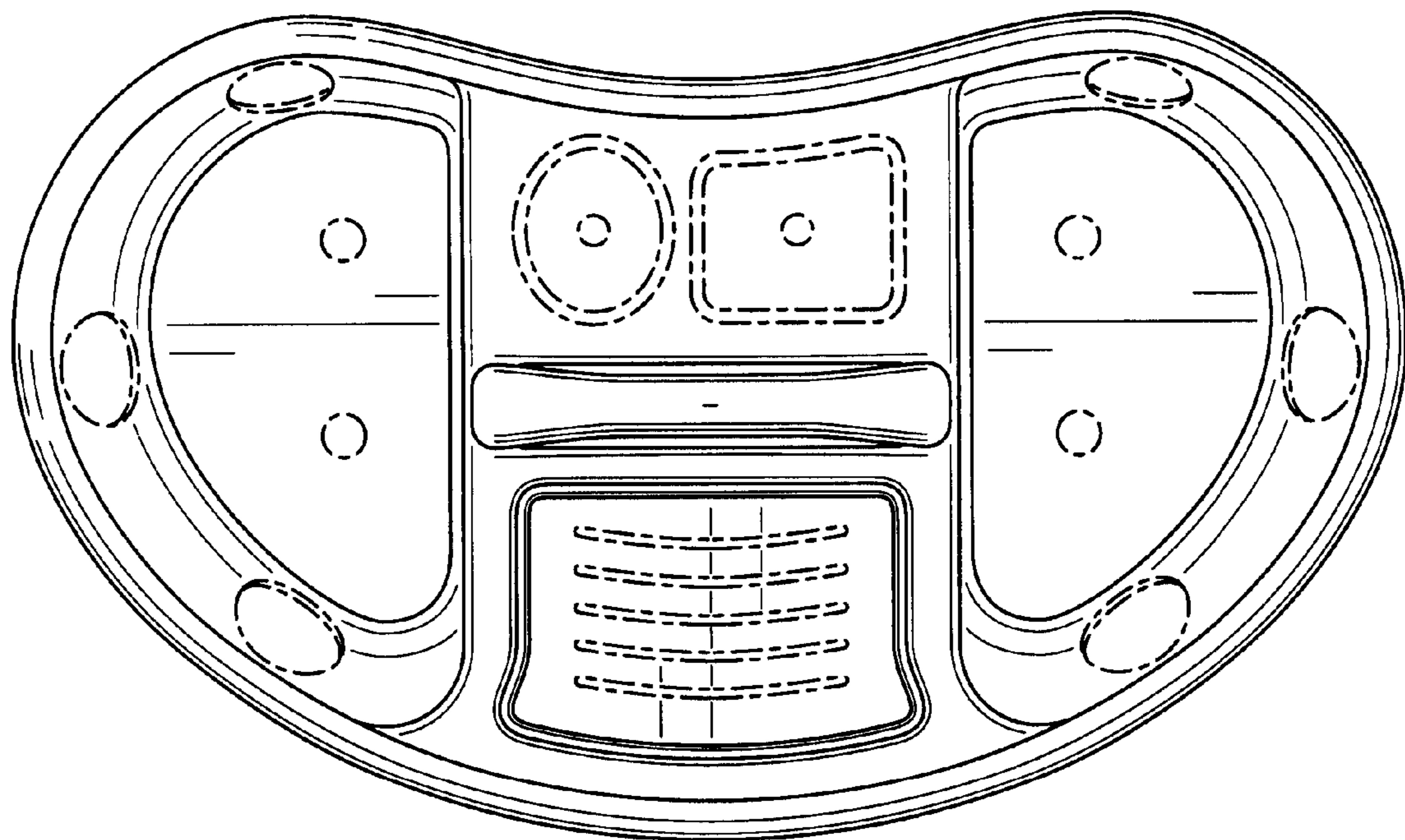


FIG. 14

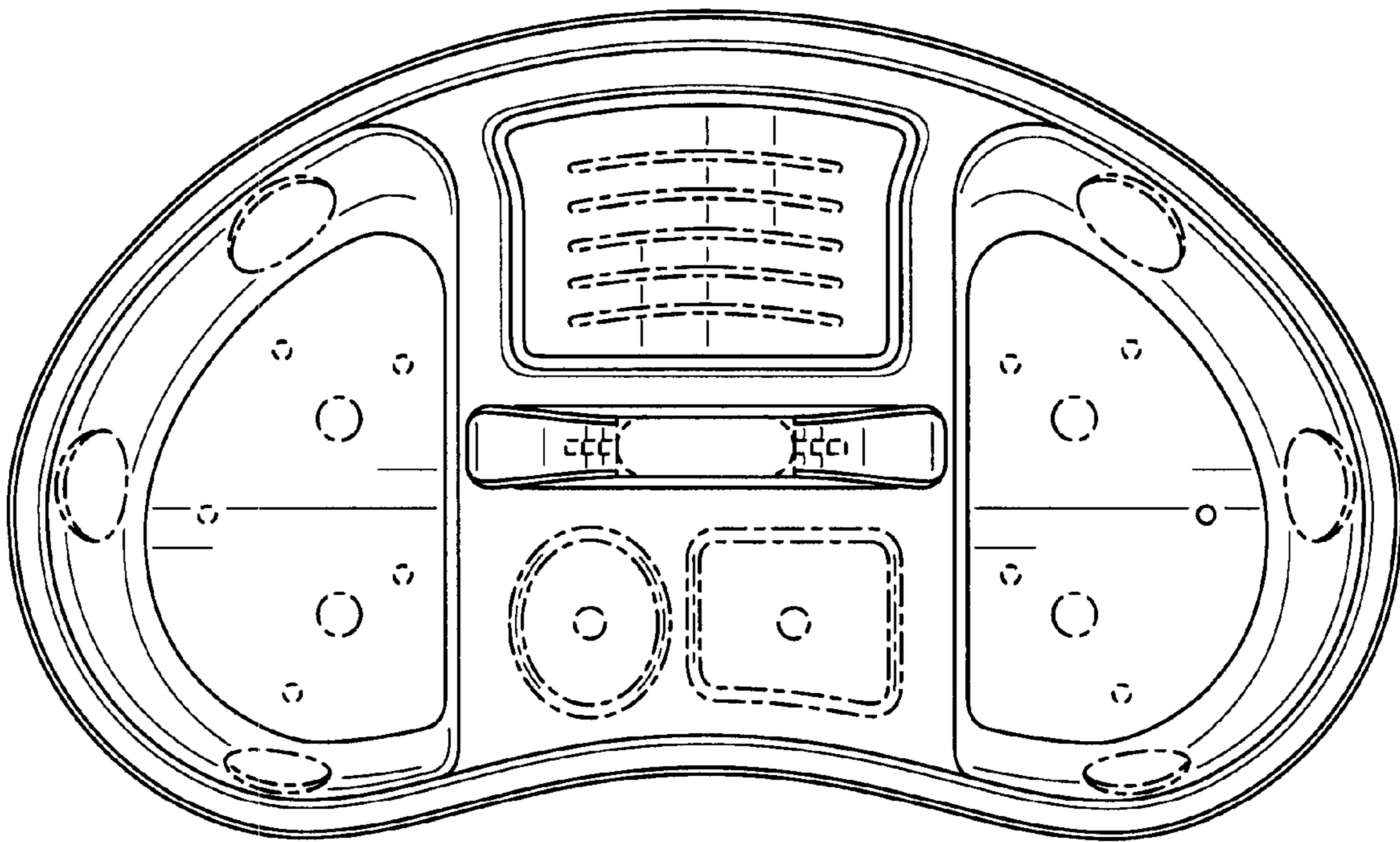


FIG. 15

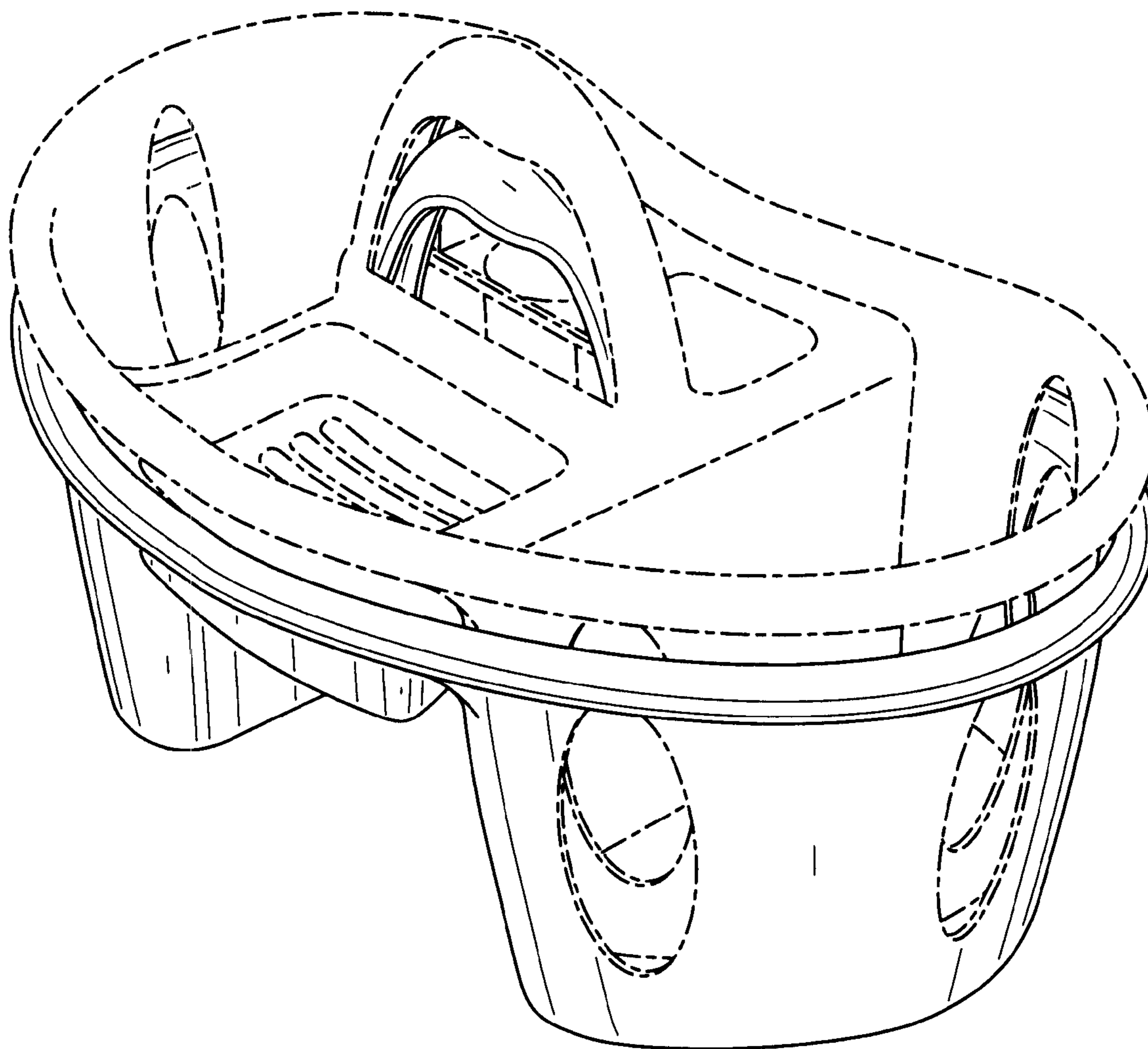


FIG. 16