

US00D541524S

(12) **United States Design Patent**  
**Kha**

(10) **Patent No.:** **US D541,524 S**

(45) **Date of Patent:** **\*\* May 1, 2007**

(54) **HANDCUFF CASE**

(76) **Inventor:** **Yauna Kha**, 5107 Aspen St., Ste. E,  
Schofield, WI (US) 54476

(\*\*) **Term:** **14 Years**

(21) **Appl. No.:** **29/240,323**

(22) **Filed:** **Oct. 12, 2005**

**Related U.S. Application Data**

(63) Continuation-in-part of application No. 10/291,297, filed on  
Nov. 12, 2002, now abandoned.

(51) **LOC (8) Cl.** ..... **03-01**

(52) **U.S. Cl.** ..... **D3/215; D3/226**

(58) **Field of Classification Search** ..... 224/198,  
224/193, 245, 250, 255, 231, 162, 242, 269,  
224/627, 681; D3/222, 226, 229, 230, 201,  
D3/225, 100, 101, 102, 104, 105, 106; D2/630  
See application file for complete search history.

(56) **References Cited**

**U.S. PATENT DOCUMENTS**

1,413,290	A	4/1922	O'Leary	
1,517,588	A	* 12/1924	Sasaki	224/242
D232,025	S	* 7/1974	Hershman	D3/222
3,826,414	A	* 7/1974	Valadez	224/231
3,870,208	A	* 3/1975	Theodore	224/250
D237,428	S	* 11/1975	Baker	D3/226
D238,629	S	* 2/1976	Tibbetts	D3/230
D296,269	S	* 6/1988	Richardson et al.	D3/226
4,750,652	A	* 6/1988	Grant	224/627
4,852,784	A	8/1989	Burton, Jr.	
D331,497	S	* 12/1992	Dixon	D3/222

D338,106	S	8/1993	Elam	
D344,630	S	* 3/1994	Doerksen	D3/230
D364,038	S	11/1995	Stanchin	
5,511,706	A	4/1996	Hendrickson	
5,918,786	A	7/1999	Wise	
2005/0115997	A1	* 6/2005	Nouvel De La Fleche	224/162

\* cited by examiner

*Primary Examiner*—Louis S. Zarfes

*Assistant Examiner*—Anna Dworzecka

(74) *Attorney, Agent, or Firm*—Randal D. Hamburg

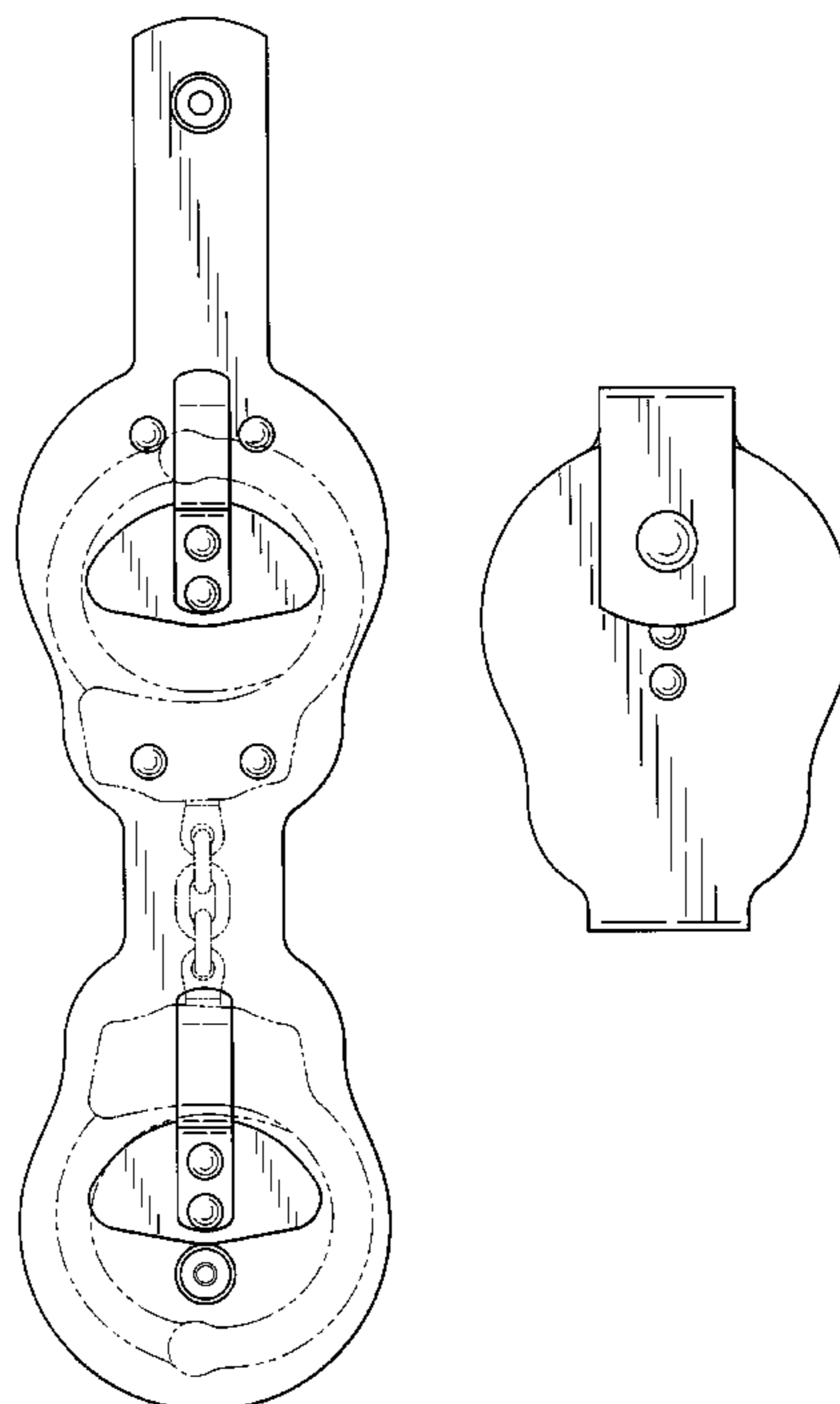
(57) **CLAIM**

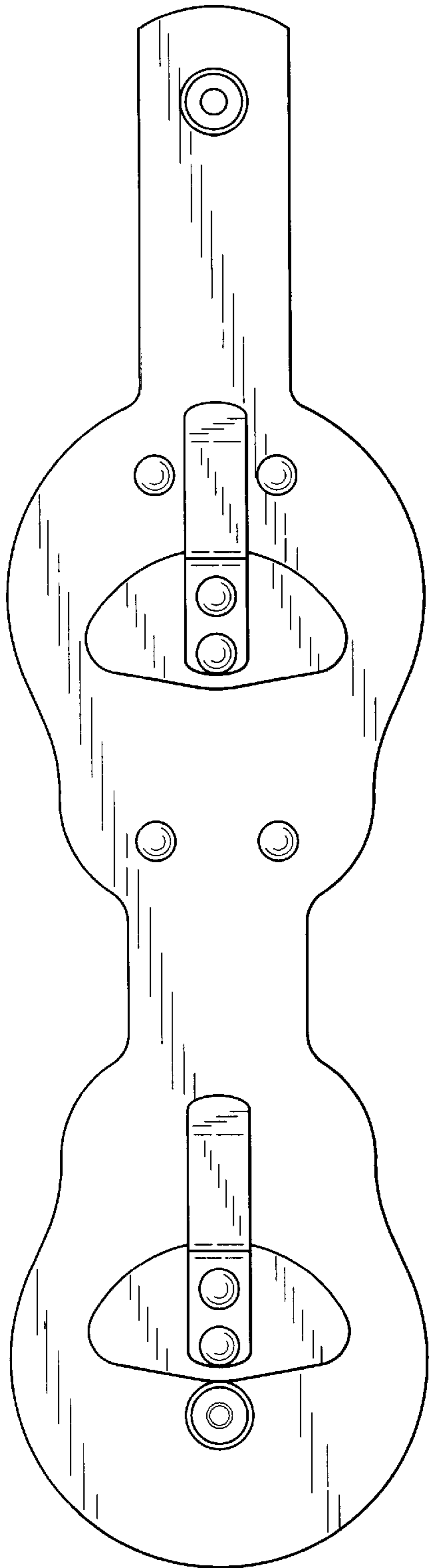
The ornamental design for a handcuff case, as shown and described.

**DESCRIPTION**

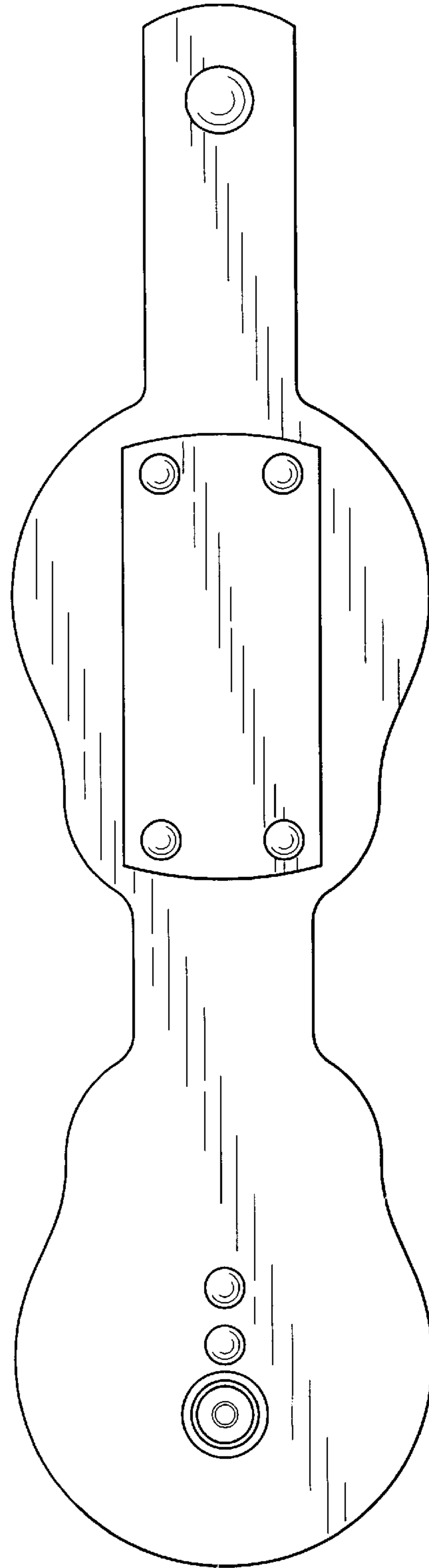
FIG. 1 is a front view of the handcuff case.  
 FIG. 2 is a rear view of the handcuff case.  
 FIG. 3 is a top view of the handcuff case.  
 FIG. 4 is a bottom view of the handcuff case.  
 FIG. 5 is a right side view of the handcuff case.  
 FIG. 6 is a left side view of the handcuff case.  
 FIG. 7 is the front view of the handcuff case with phantom lines indicating a set of handcuffs within the handcuff case for reference only, the handcuffs not being included as part of the disclosed invention.  
 FIG. 8 is a front view of the handcuff case in an alternative position; and,  
 FIG. 9 is a rear view of the handcuff case in an alternative position with phantom lines indicating the handcuff case on a belt, indicating the environment upon which the handcuff case is used, the belt not being included as part of the disclosed invention.

**1 Claim, 3 Drawing Sheets**





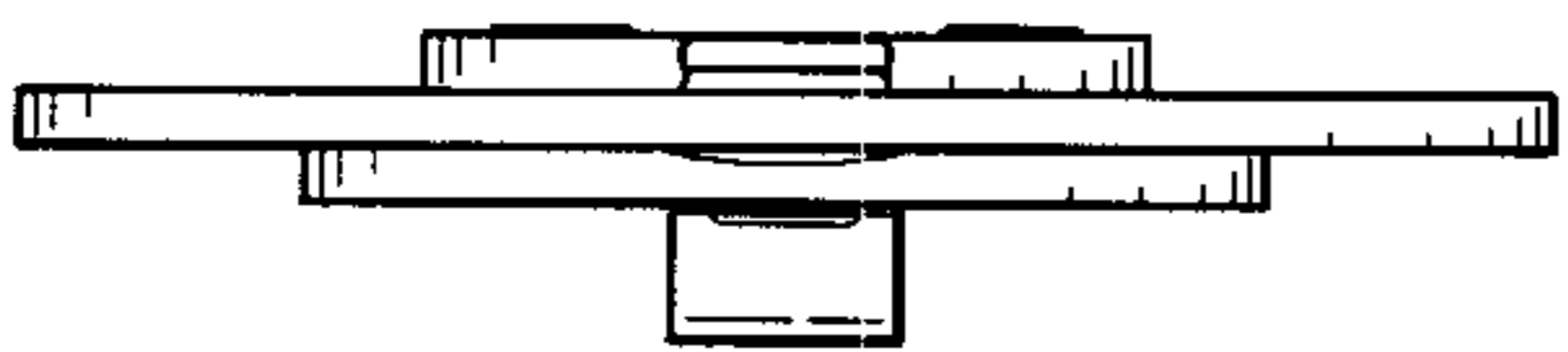
*FIG. 1*



*FIG. 2*



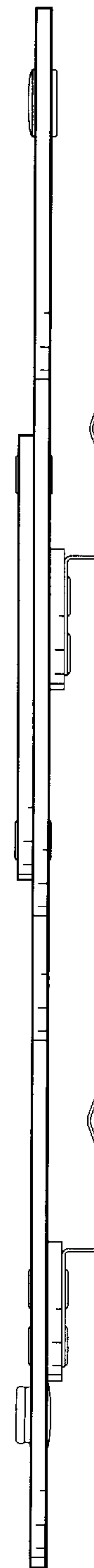
*FIG. 3*



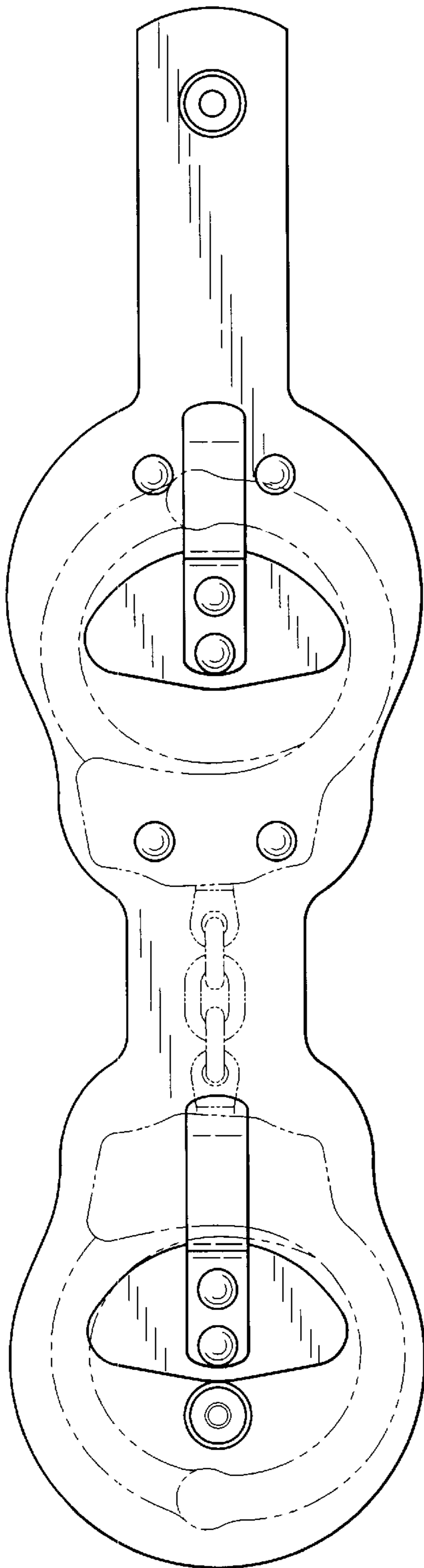
*FIG. 4*



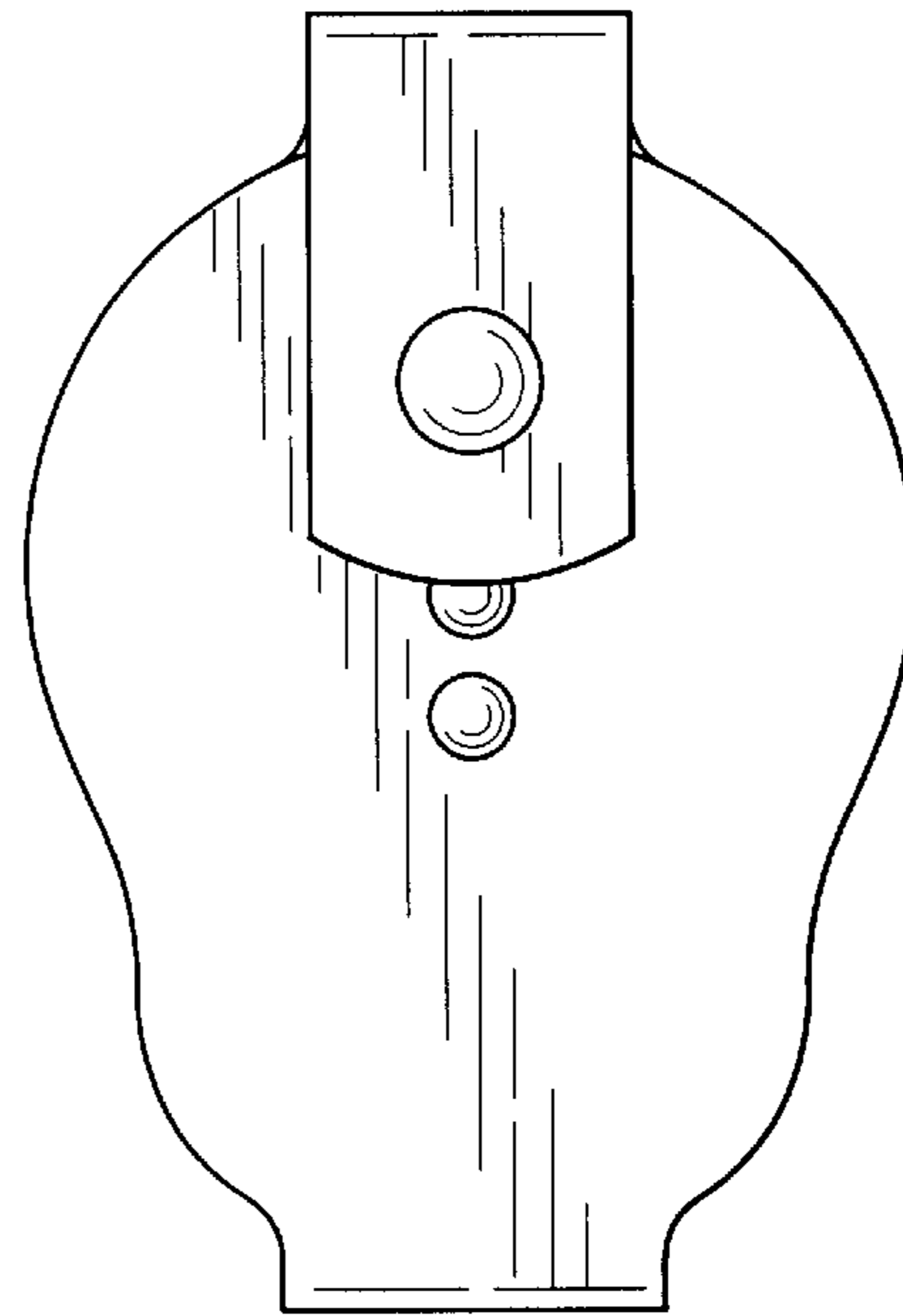
*FIG. 5*



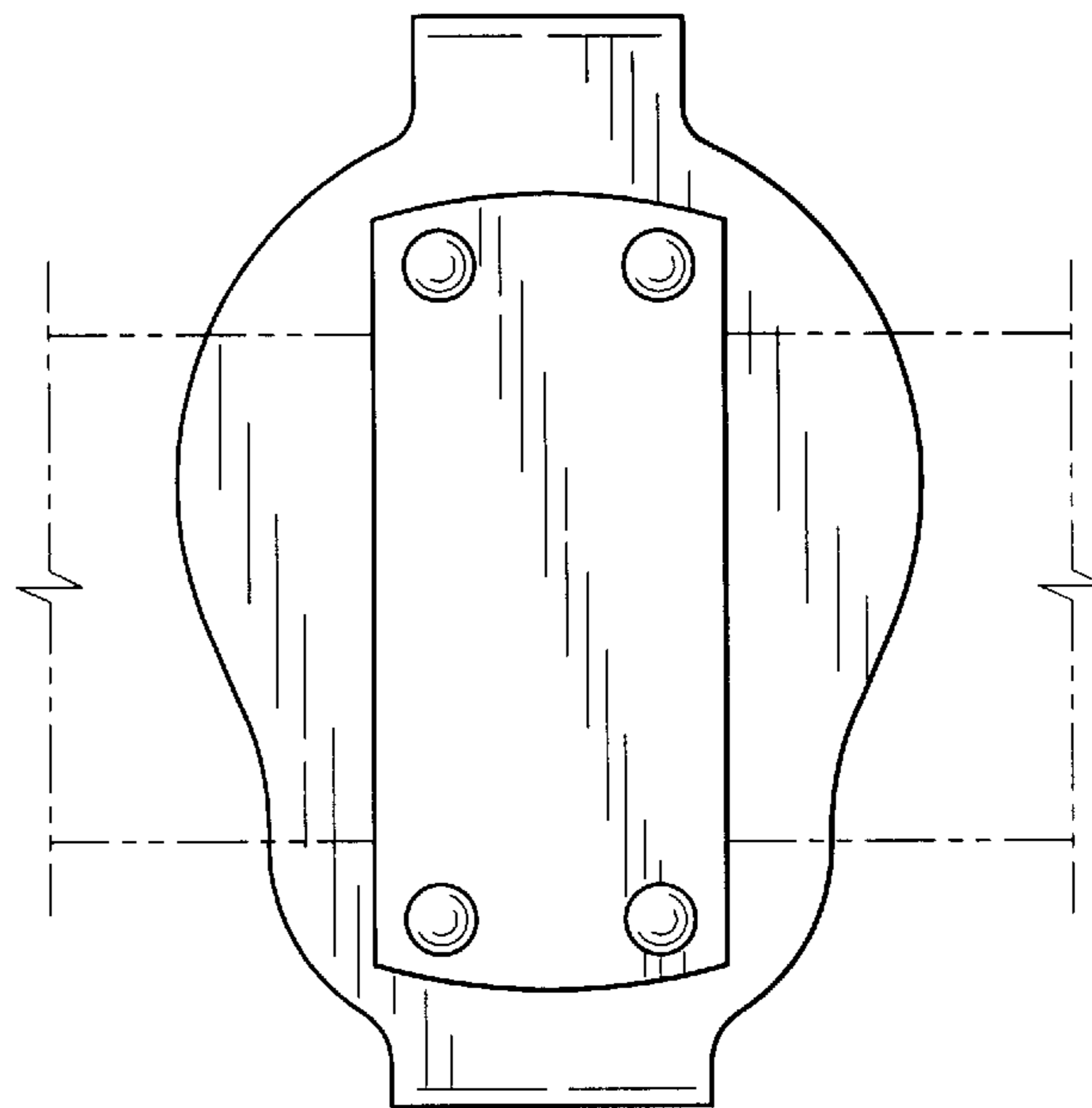
*FIG. 6*



*FIG. 7*



*FIG. 8*



*FIG. 9*