



US00D541507S

(12) **United States Design Patent** (10) **Patent No.:** **US D541,507 S**  
**Lee et al.** (45) **Date of Patent:** **\*\* May 1, 2007**

(54) **DECORATIVE STITCHING FOR A POCKET**

TR 000252630-0001 \* 9/2004

(75) Inventors: **Minsoo Lee**, Haworth, NJ (US); **Nina Miner**, Great Neck, NY (US)

**OTHER PUBLICATIONS**

(73) Assignee: **The Children's Place Services Company, LLC**, Secaucus, NJ (US)

Walmart.com. <http://www.walmart.com/catalog>. Date viewed Aug. 2006. Heart Pocket Jeans, Item A: center of page.\*

(\*\*) Term: **14 Years**

9Months to Grow: Maternity Fashions. [www.9monthstogrow.com/fall2005.f05jeans.htm](http://www.9monthstogrow.com/fall2005.f05jeans.htm). Rhinestone Heart Pocket, Item B: center of page.\*

(21) Appl. No.: **29/267,608**

Nordstrom. [http://images2.nordstrom.com/ImageGallery/store/Product/Medium/1/\\_5199861.jpg](http://images2.nordstrom.com/ImageGallery/store/Product/Medium/1/_5199861.jpg). Date Viewed: Nov. 2006. Juicy Couture heart Pocket Jeans, Item C: center of page.\*

(22) Filed: **Oct. 18, 2006**

Language of Listening. <http://www.languageoflistening.com/swys1.html>. Date viewed: Nov. 2006. Pocket, Item D: center of page.\*

**Related U.S. Application Data**

(62) Division of application No. 29/255,724, filed on Mar. 9, 2006.

\* cited by examiner

(51) **LOC (8) Cl.** ..... **02-02**

*Primary Examiner*—Ian Simmons

(52) **U.S. Cl.** ..... **D2/857**

*Assistant Examiner*—R. Johnson

(58) **Field of Classification Search** ..... D2/857,

(74) *Attorney, Agent, or Firm*—Fross Zelnick Lehrman & Zissu, P.C.; Philip T. Shannon, Esq.

D2/769, 771, 786, 791, 812, 820, 836, 839,

D2/853, 500–502, 764, 766, 772, 976; 2/101,

2/265, 247–254, 244, 272, 274, 275; 112/475.17–18

See application file for complete search history.

(57) **CLAIM**

(56) **References Cited**

The ornamental design for a decorative stitching for a pocket, as shown and described.

**U.S. PATENT DOCUMENTS**

**DESCRIPTION**

2,718,640 A \* 9/1955 Suckle ..... 2/243.1

FIG. 1 is a front elevational view of a decorative stitching for a pocket showing my new design;

2,937,380 A \* 5/1960 Reese ..... 112/440

FIG. 2 is a right side elevational view thereof; and,

4,285,337 A \* 8/1981 Cosentino ..... 602/4

FIG. 3 is a left side elevational view thereof.

D261,320 S \* 10/1981 Heinfling ..... D2/857

The broken line showing of the clothing pocket is for illustrative purposes only and forms no part of the claimed design.

D278,375 S \* 4/1985 Heinfling ..... D2/857

D278,377 S \* 4/1985 Heinfling ..... D2/857

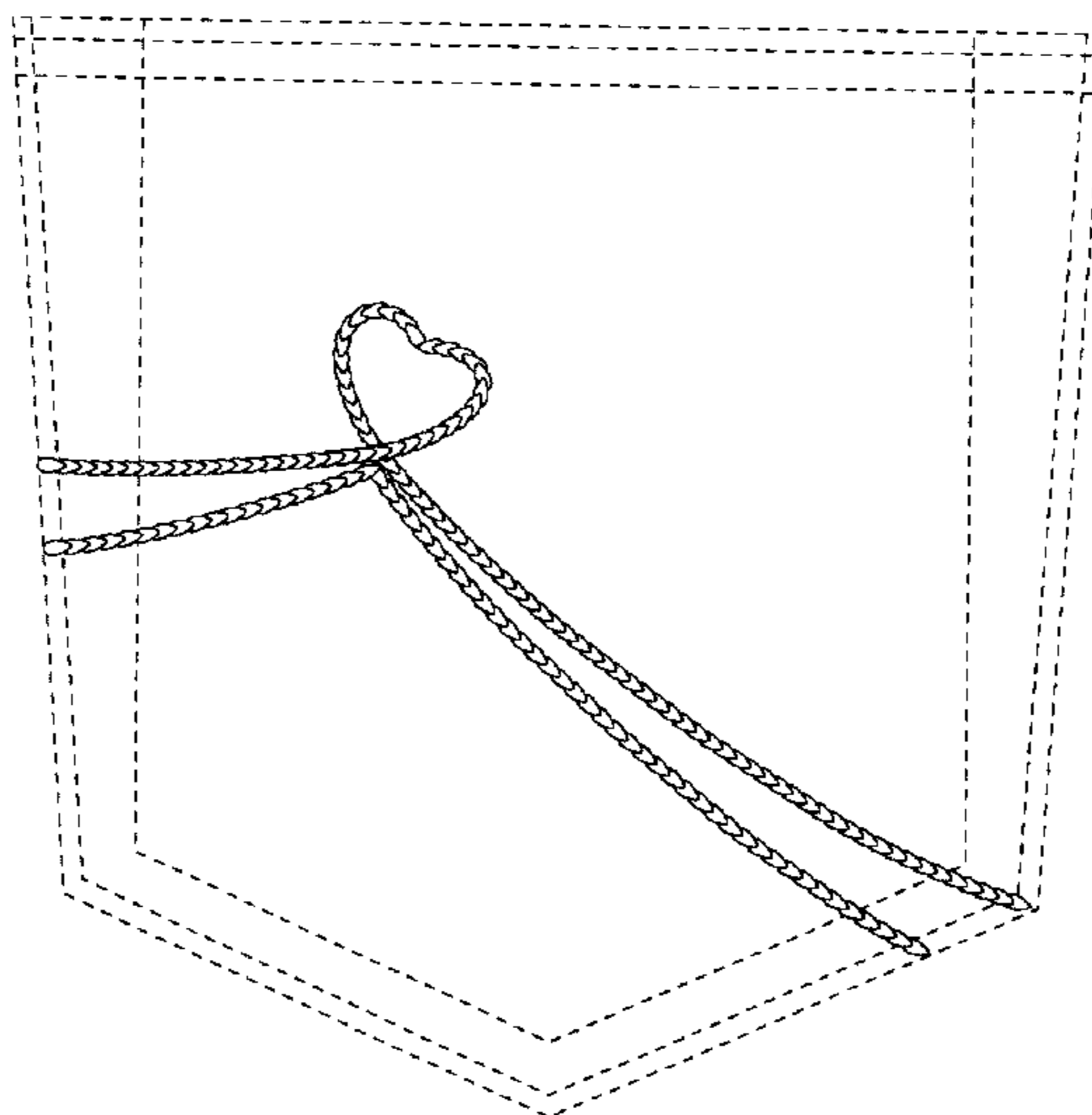
4,792,305 A \* 12/1988 O'Donnell ..... 434/95

5,031,554 A \* 7/1991 Glenn ..... 112/475.18

**FOREIGN PATENT DOCUMENTS**

GB 2045377 \* 6/1995

**1 Claim, 1 Drawing Sheet**



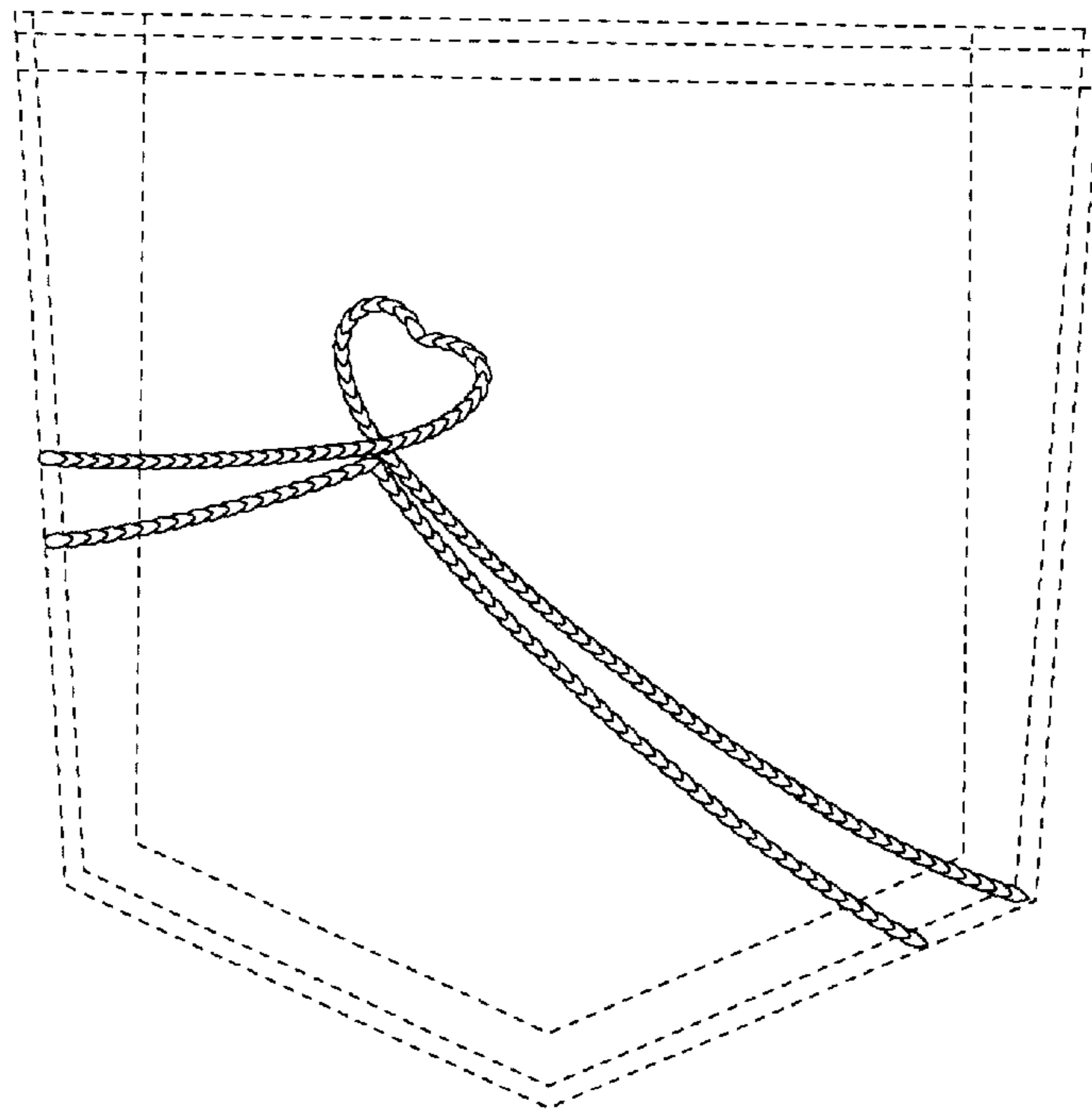


FIG. 1

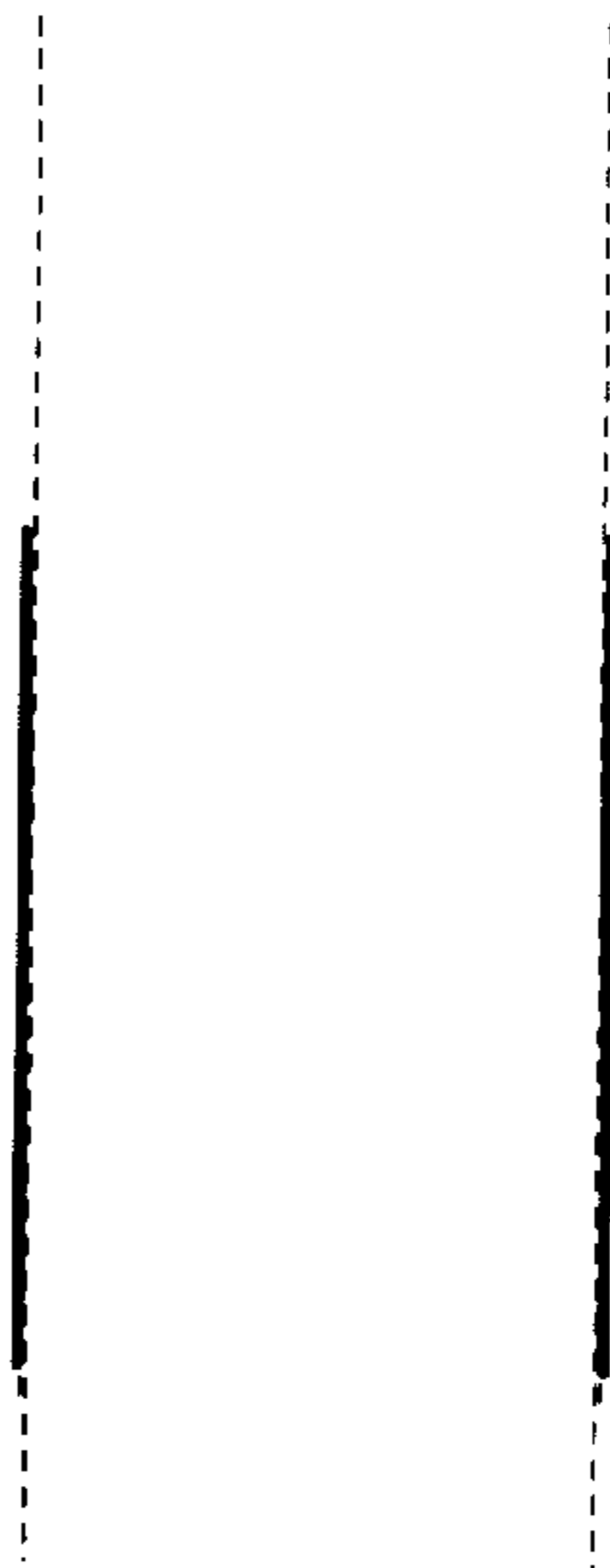


FIG. 2

FIG. 3