



US00D541505S

(12) **United States Design Patent**
Kang et al.

(10) **Patent No.:** **US D541,505 S**

(45) **Date of Patent:** **** Apr. 24, 2007**

(54) **AUTOMATED TELLER MACHINE**

(75) Inventors: **Dong Goo Kang**, Gyeonggi-do (KR);
Dong Chan Lee, Gyeonggi-do (KR)

(73) Assignee: **Nautilus Hyosung Inc.** (KR)

(**) Term: **14 Years**

(21) Appl. No.: **29/246,460**

(22) Filed: **Apr. 13, 2006**

(30) **Foreign Application Priority Data**

Feb. 13, 2006 (KR) 30-2006-0005233

(51) **LOC (8) Cl.** **99-00**

(52) **U.S. Cl.** **D99/28**

(58) **Field of Classification Search** D99/28,
D99/43, 99; D20/1, 4, 5; D18/3.1, 3.3, 4.6;
D6/421, 436, 470; D14/130, 302, 308; 235/379,
235/380, 381; 221/128-130; 453/1-6, 21,
453/58; 194/206, 217, 347, 350

See application file for complete search history.

(56) **References Cited**

U.S. PATENT DOCUMENTS

D388,229 S * 12/1997 Couch D99/28
D405,833 S * 2/1999 Mussett D20/1

D410,129 S * 5/1999 Molander et al. D99/28
5,984,177 A * 11/1999 Do et al. 235/379
D419,277 S * 1/2000 Ishii et al. D99/35
6,029,888 A * 2/2000 Harvey 235/379
6,061,666 A * 5/2000 Do et al. 705/43
D447,164 S * 8/2001 Forslund D18/3.1
D456,587 S * 4/2002 Kit et al. D99/28
6,527,172 B1 * 3/2003 Lewis et al. 235/379
D481,516 S * 10/2003 Magee et al. D99/28
D492,081 S * 6/2004 Magee et al. D99/28
D505,240 S * 5/2005 Swaine et al. D99/28

* cited by examiner

Primary Examiner—Paula A. Greene

(74) *Attorney, Agent, or Firm*—Fish & Richardson P.C.

(57) **CLAIM**

The ornamental design for an Automated Teller Machine, as shown and described.

DESCRIPTION

FIG. 1 is a perspective view.

FIG. 2 is a front view.

FIG. 3 is a rear view.

FIG. 4 is a left side view that is symmetric with a right side view.

FIG. 5 is a top view; and,

FIG. 6 is a bottom view.

1 Claim, 4 Drawing Sheets

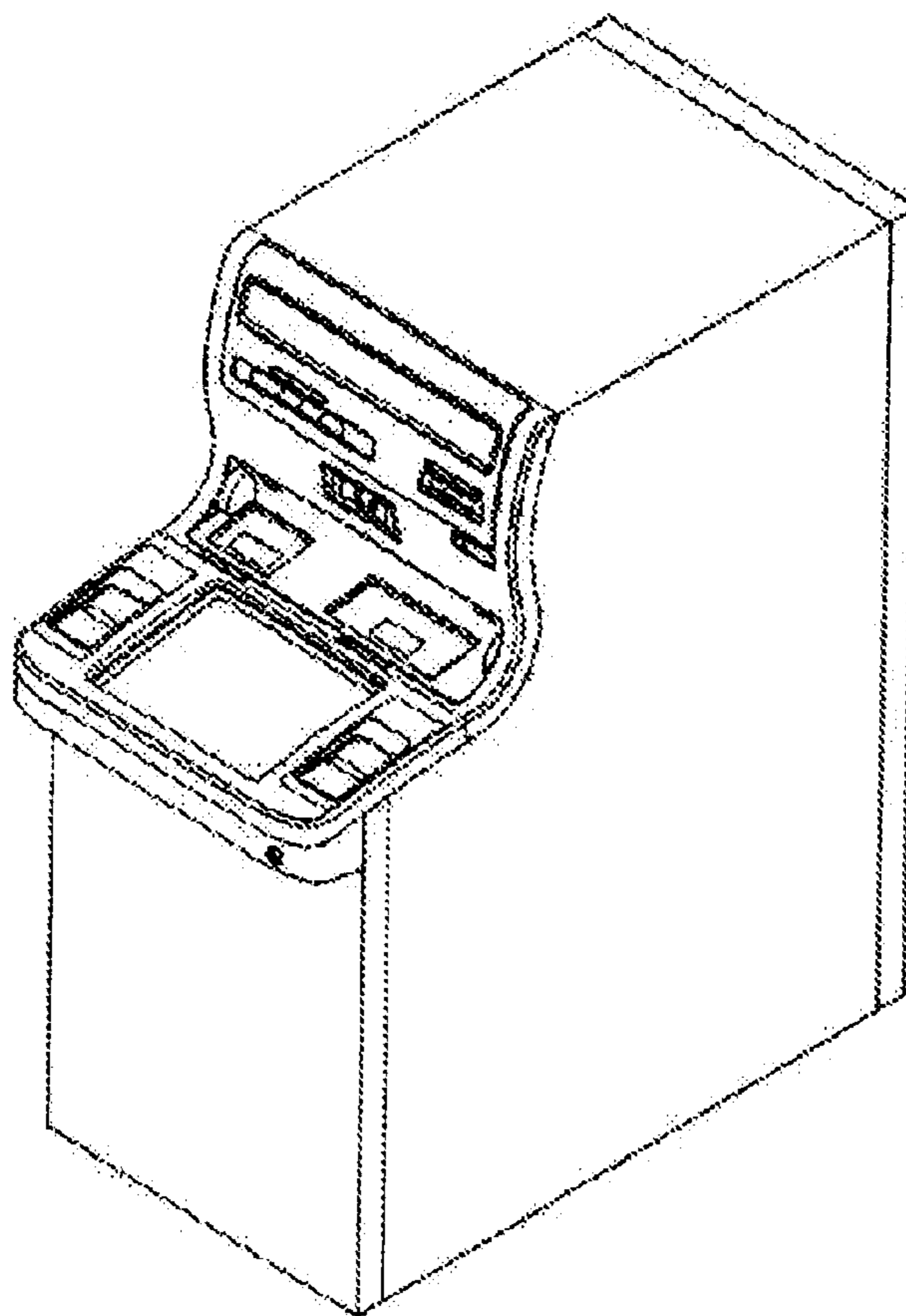


FIG. 1

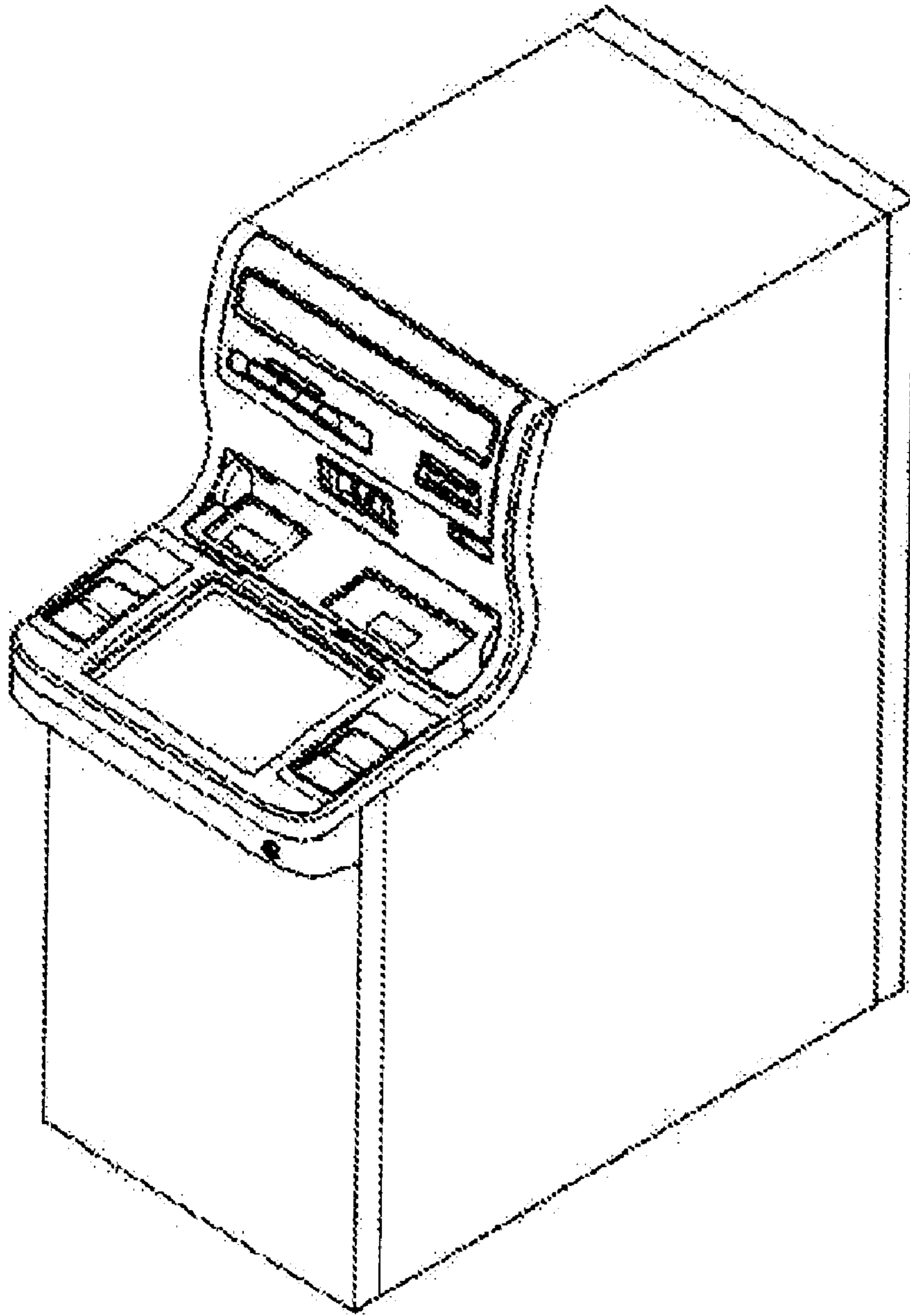


FIG. 2

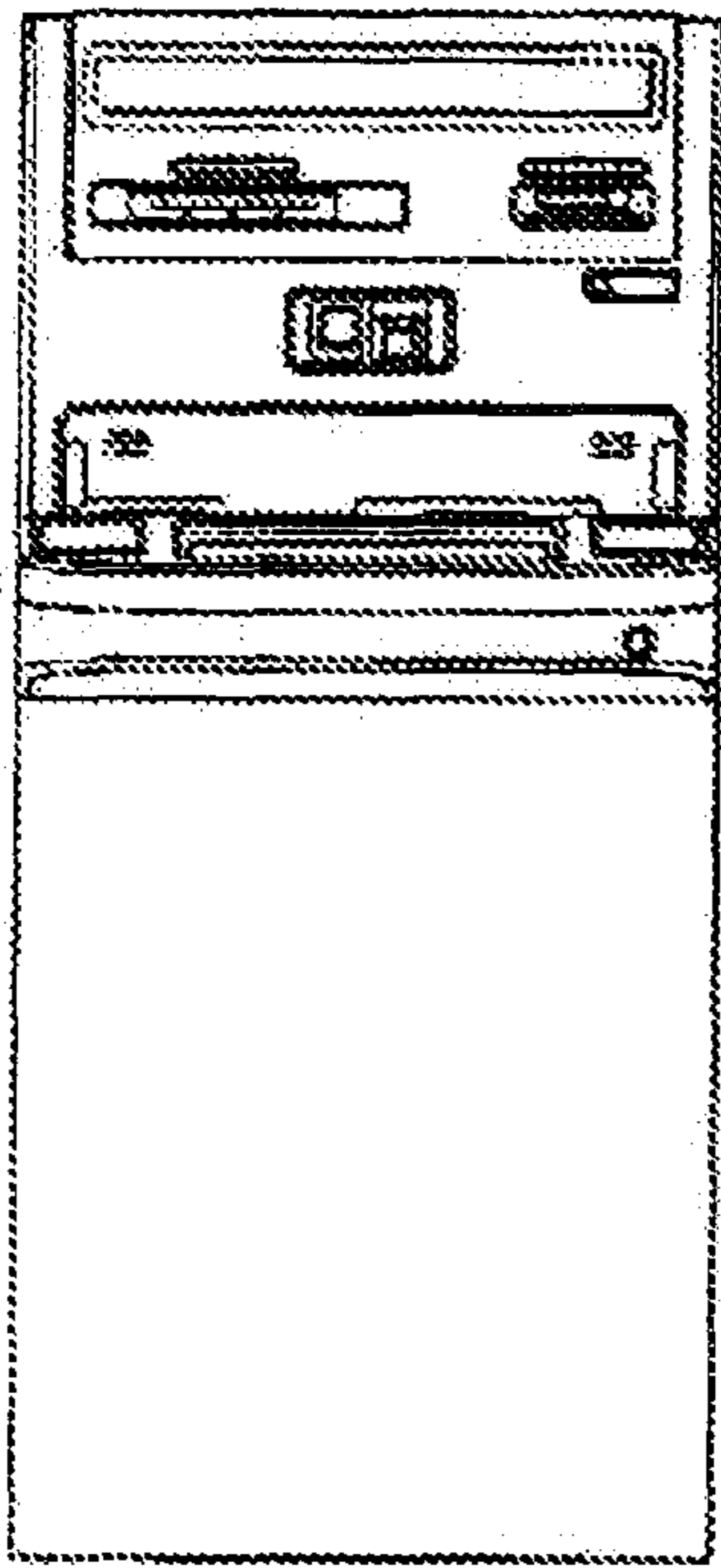


FIG. 3

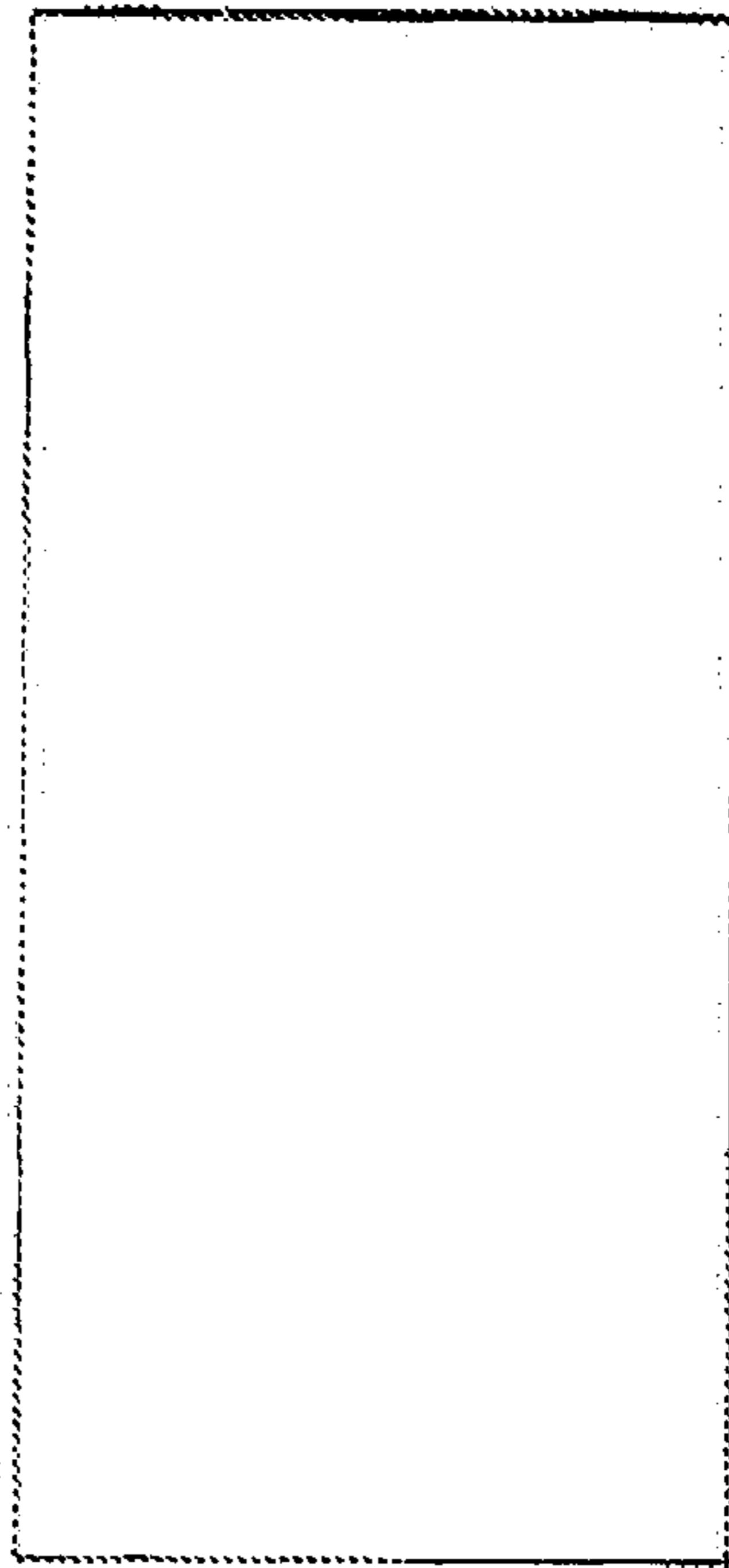


FIG. 4

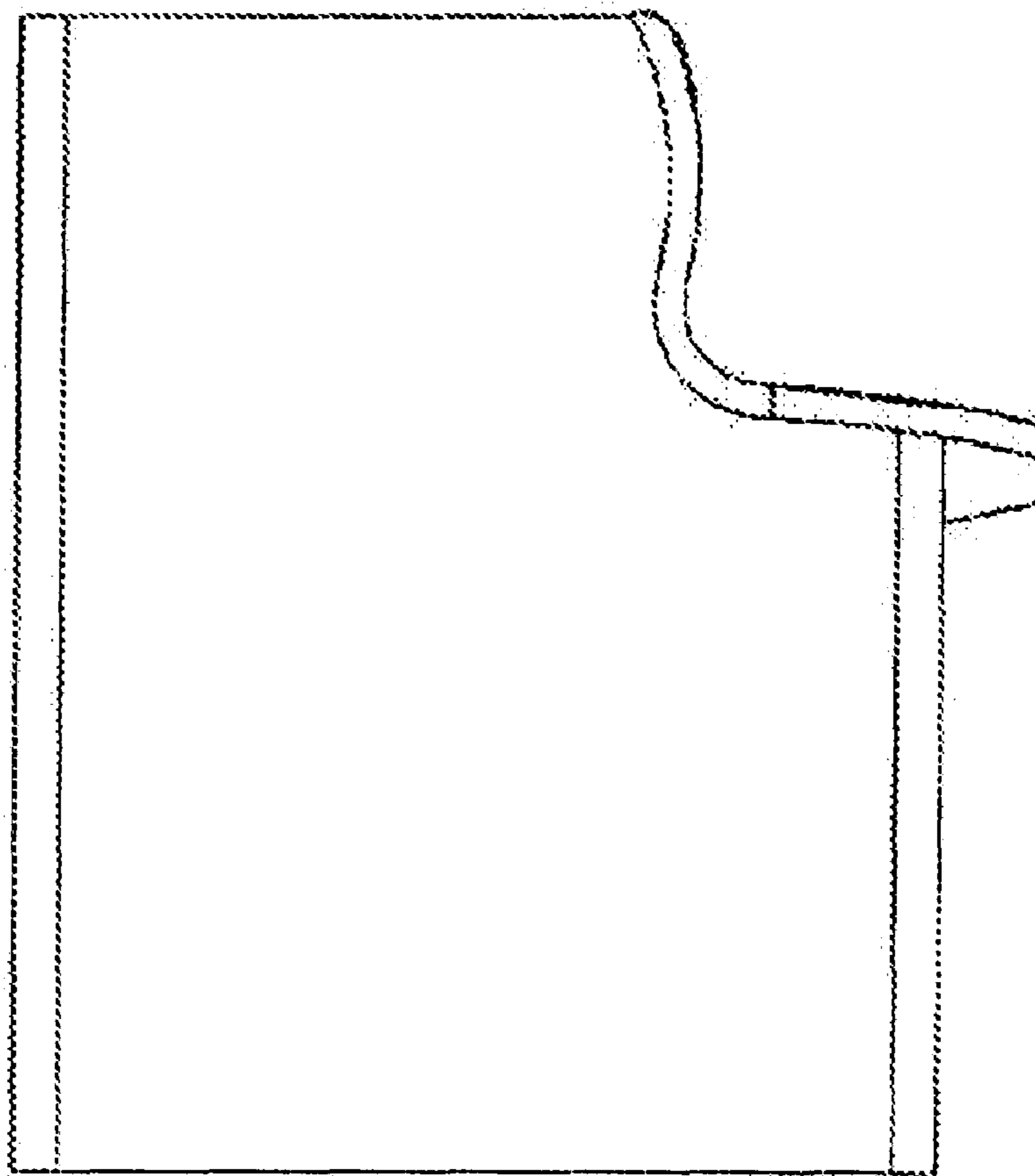


FIG. 5

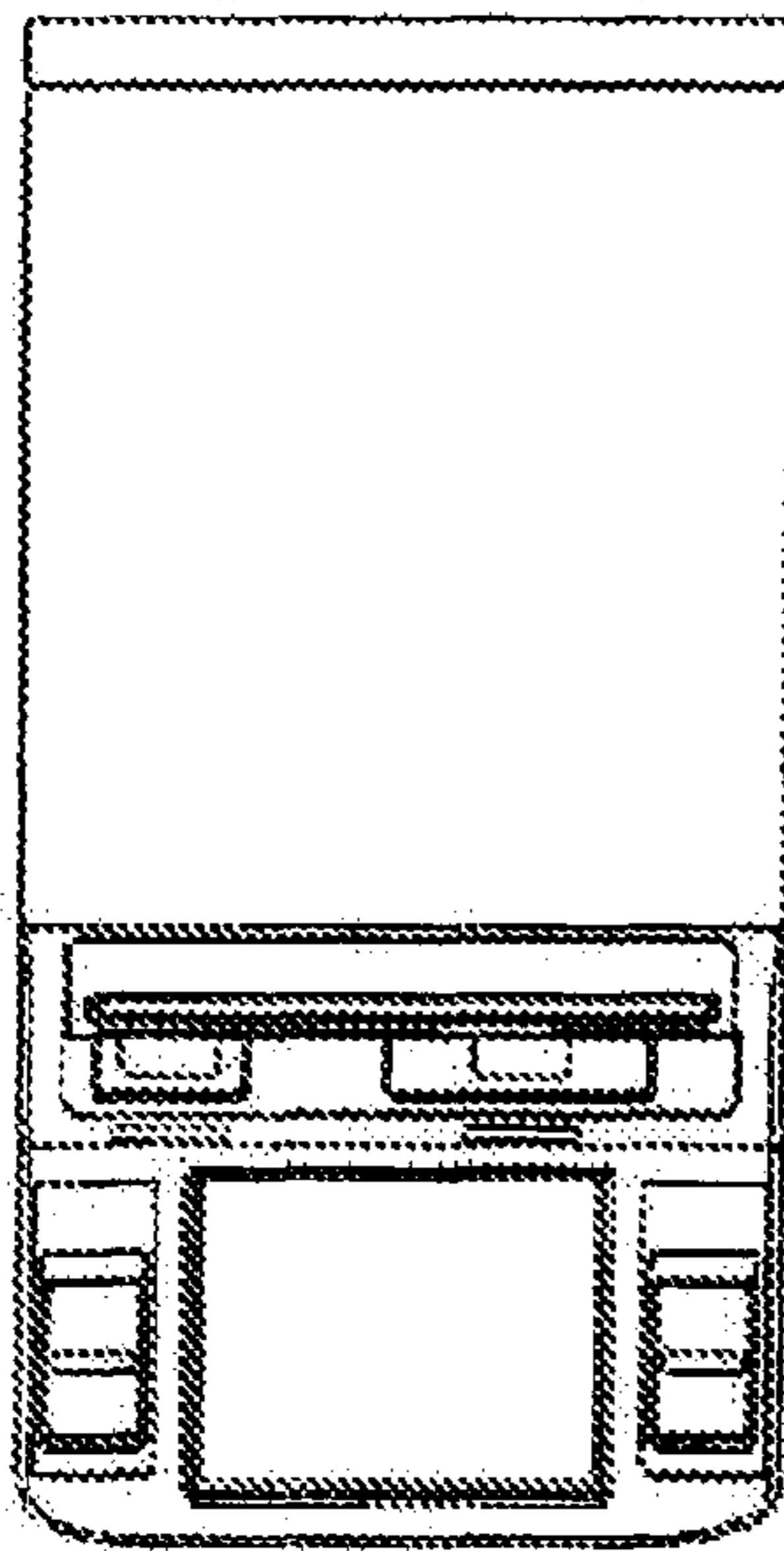


FIG 6

