



US00D541504S

(12) **United States Design Patent**  
**Landsberger et al.**

(10) **Patent No.:** **US D541,504 S**

(45) **Date of Patent:** **\*\* Apr. 24, 2007**

(54) **LABORATORY JACK**

D481,849 S \* 11/2003 Waltz et al. .... D34/31  
6,779,635 B1 \* 8/2004 Anibas ..... 187/269

(75) Inventors: **David Landsberger**, Caldwell, NJ  
(US); **Francis Gomes**, Jersey City, NJ  
(US); **Paul Thom**, Butler, NJ (US);  
**Bruce Feller**, Wayne, NJ (US)

**OTHER PUBLICATIONS**

Bel-Art Products, Inc. catalog, 198 p. 150, published 1998.

\* cited by examiner

(73) Assignee: **Bel-Art Products, Inc.**, Pequannock,  
NJ (US)

*Primary Examiner*—Cynthia E. Ramirez

(74) *Attorney, Agent, or Firm*—Lawrence G. Fridman

(\*\*) Term: **14 Years**

(57) **CLAIM**

(21) Appl. No.: **29/224,004**

The ornamental design for a laboratory jack, as shown and described.

(22) Filed: **Feb. 23, 2005**

**DESCRIPTION**

(51) **LOC (8) Cl.** ..... **12-05**

(52) **U.S. Cl.** ..... **D34/31**

(58) **Field of Classification Search** ..... D34/28,  
D34/31; 187/18; 254/8 B, 84, 11, 93 H, DIG. 3,  
254/126, 122

See application file for complete search history.

FIG. 1 is a top plan view of a laboratory jack of the invention;

FIG. 2 is a front elevational view thereof;

FIG. 3 is a rear elevational view thereof;

FIG. 4 is a bottom plan view thereof;

FIG. 5 is one side elevational view thereof, the other side being a mirror image;

FIG. 6 is a top plan view of the laboratory jack of the invention in the expanded position;

FIG. 7 is a front elevational view thereof;

FIG. 8 is a rear elevational view thereof;

FIG. 9 is a bottom plan view thereof; and,

FIG. 10 is one side elevational view, the other being a mirror image.

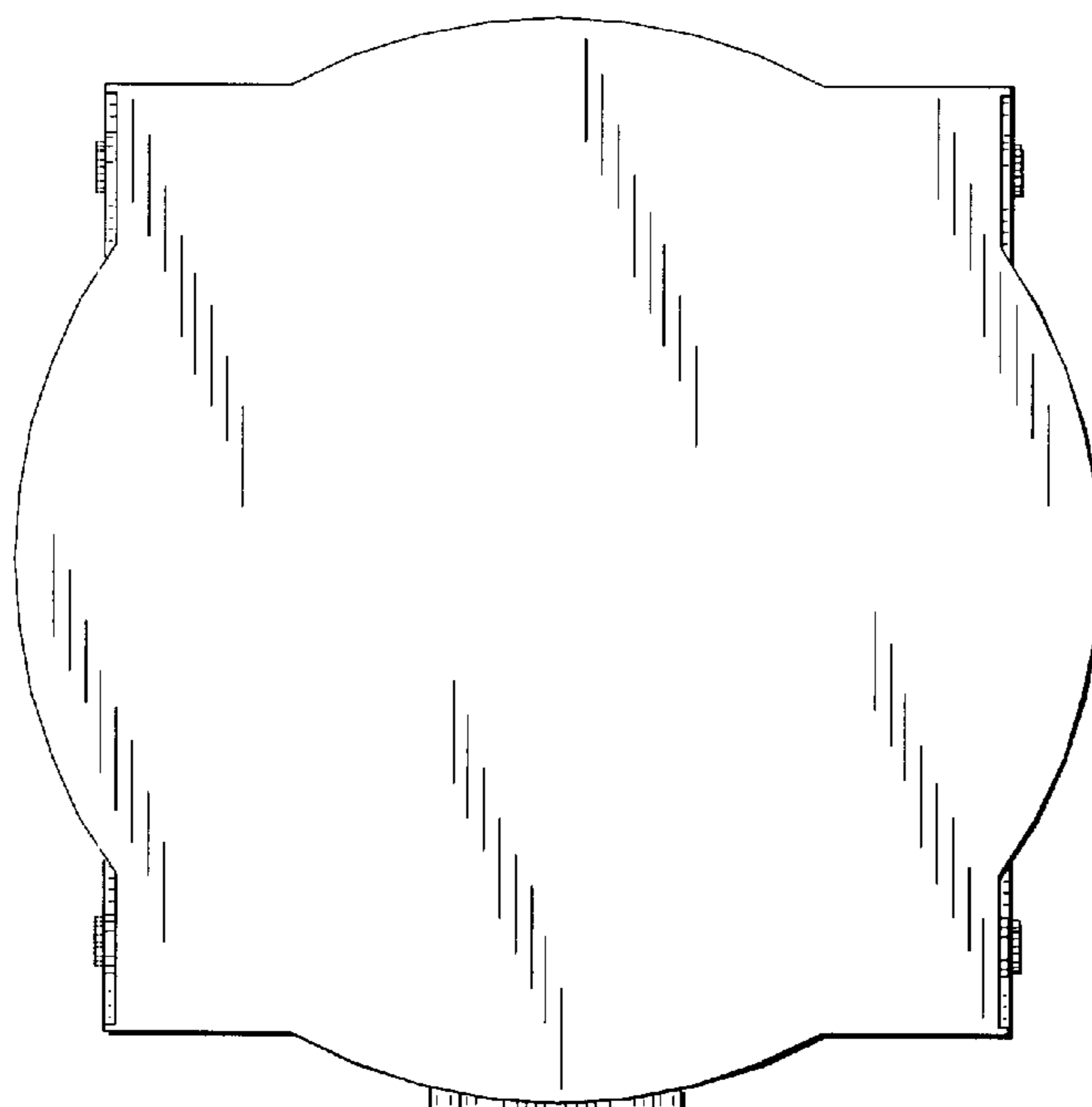
The broken line showing some elements in the figures is for illustrative purposes only and forms no part of the claimed design.

(56) **References Cited**

**U.S. PATENT DOCUMENTS**

2,023,410	A	*	12/1935	Davis et al.	.....	254/9 C
2,071,470	A		2/1937	Marlowe		
2,508,934	A		5/1950	Berg		
4,025,053	A	*	5/1977	Stickle, Jr.	.....	254/122
4,180,252	A	*	12/1979	Cushenbery	.....	269/17
4,695,036	A		9/1987	Yukimoto et al.		
4,765,595	A		8/1988	Alten		
4,848,733	A		7/1989	Yamauchi et al.		
D346,254	S	*	4/1994	Novak	.....	D34/28
6,286,812	B1	*	9/2001	Cherry	.....	254/9 C
6,366,190	B1	*	4/2002	Fujita et al.	.....	335/285

**1 Claim, 7 Drawing Sheets**



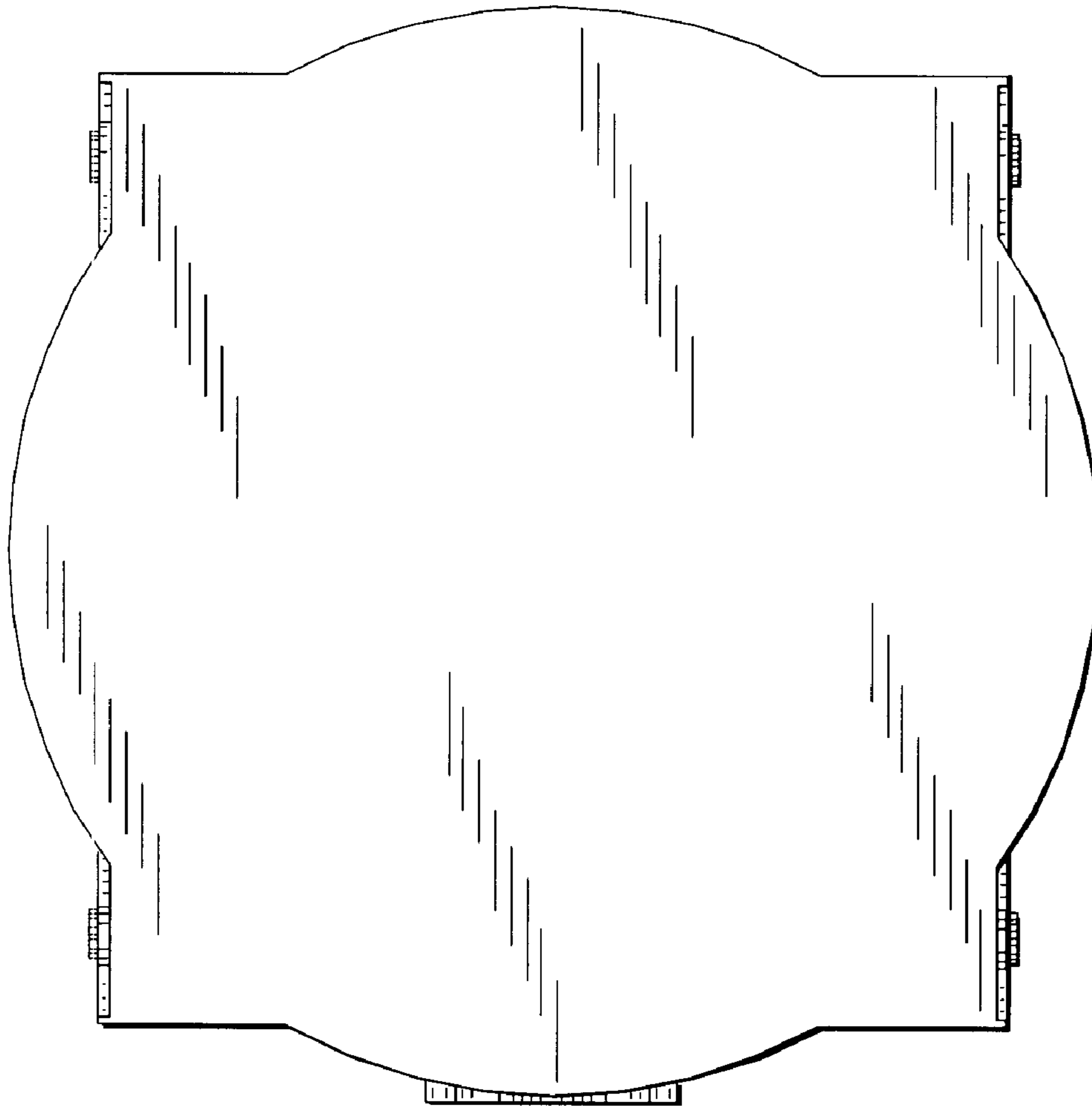


FIG. 1

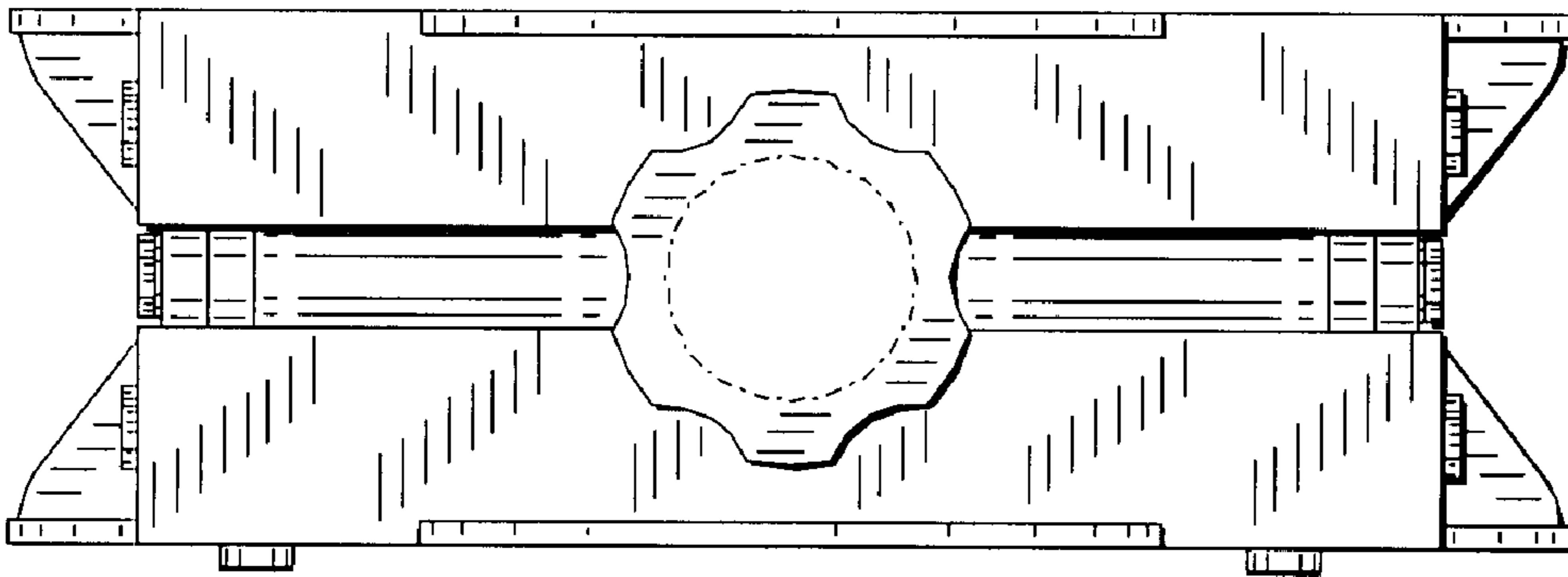


FIG. 2

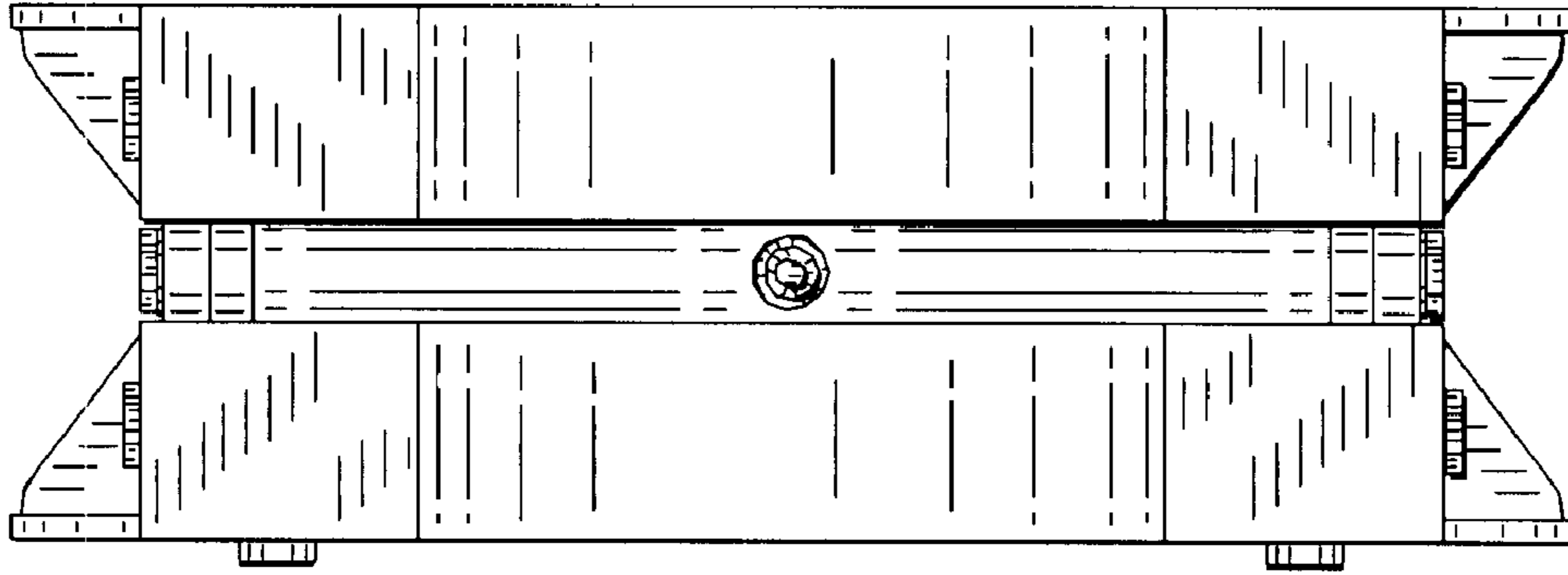


FIG. 3

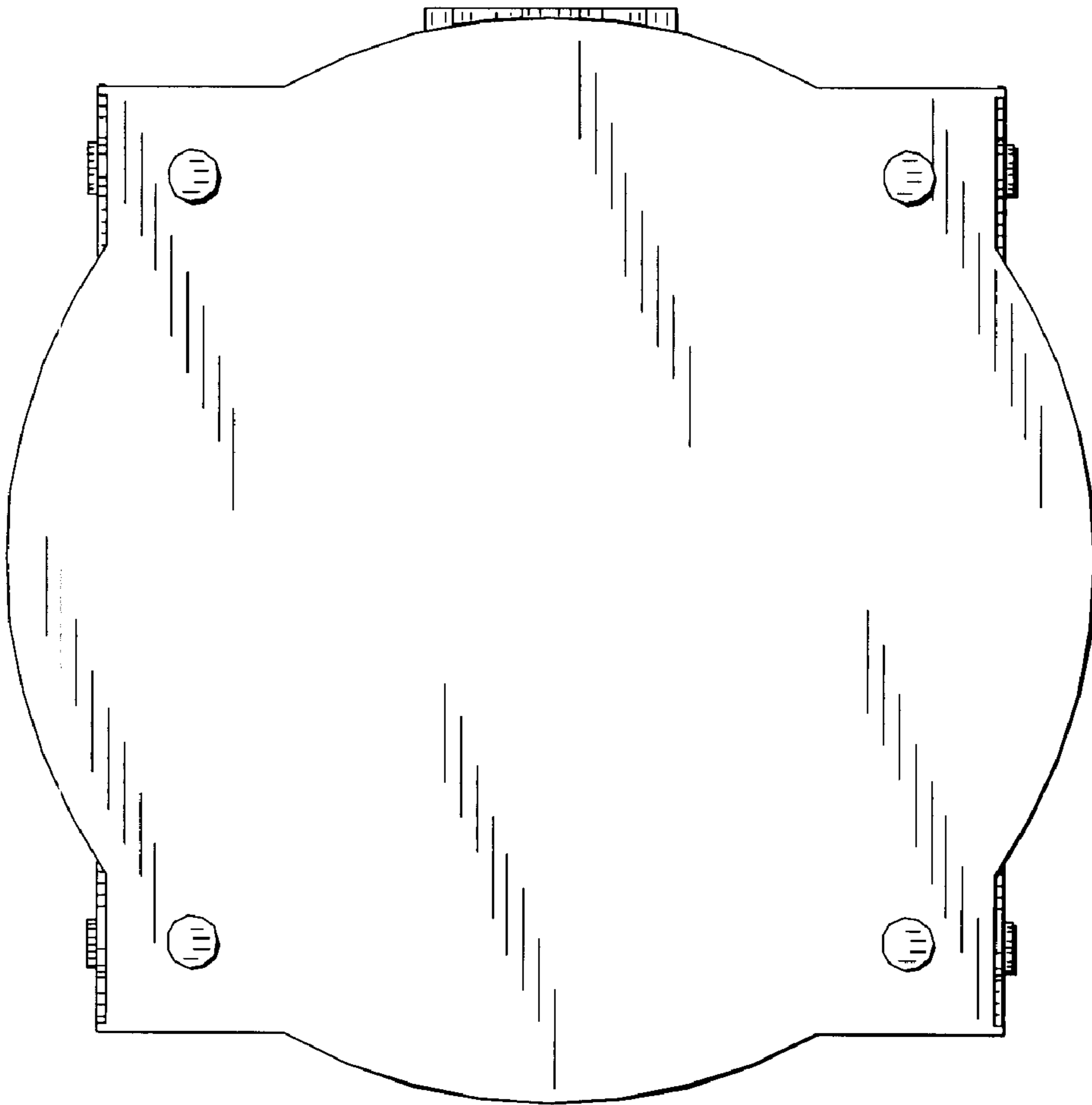


FIG. 4

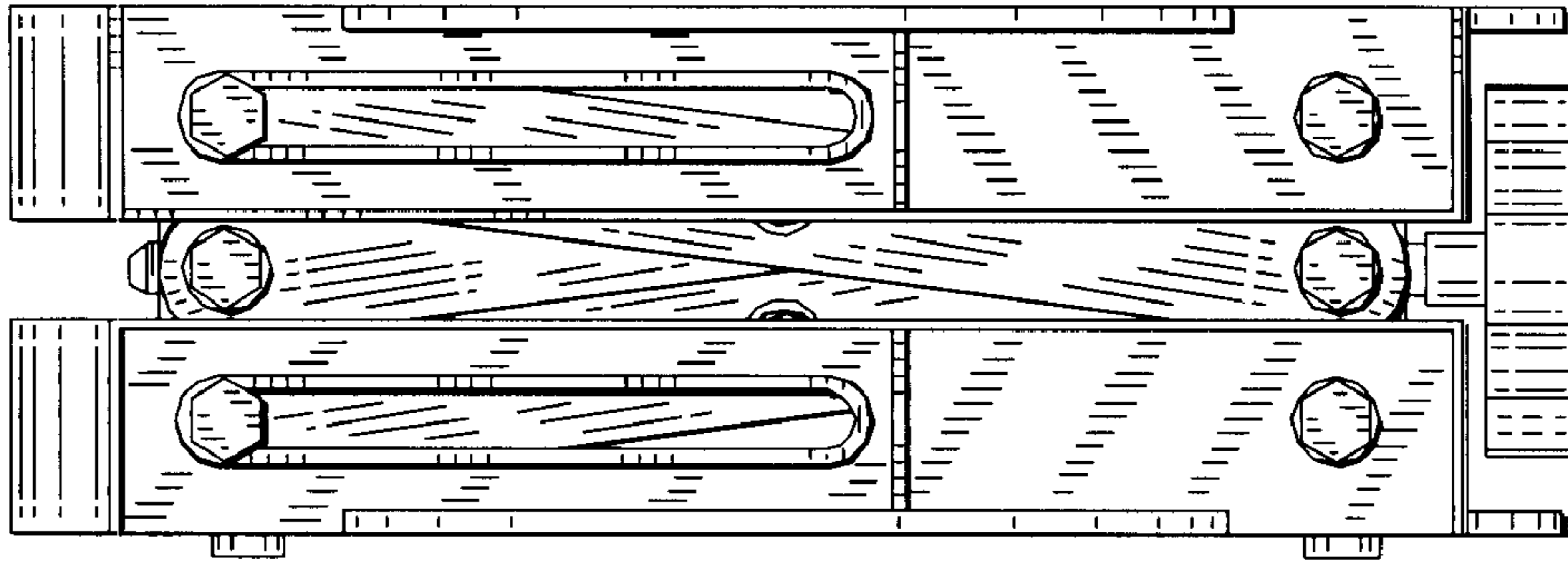


FIG. 5

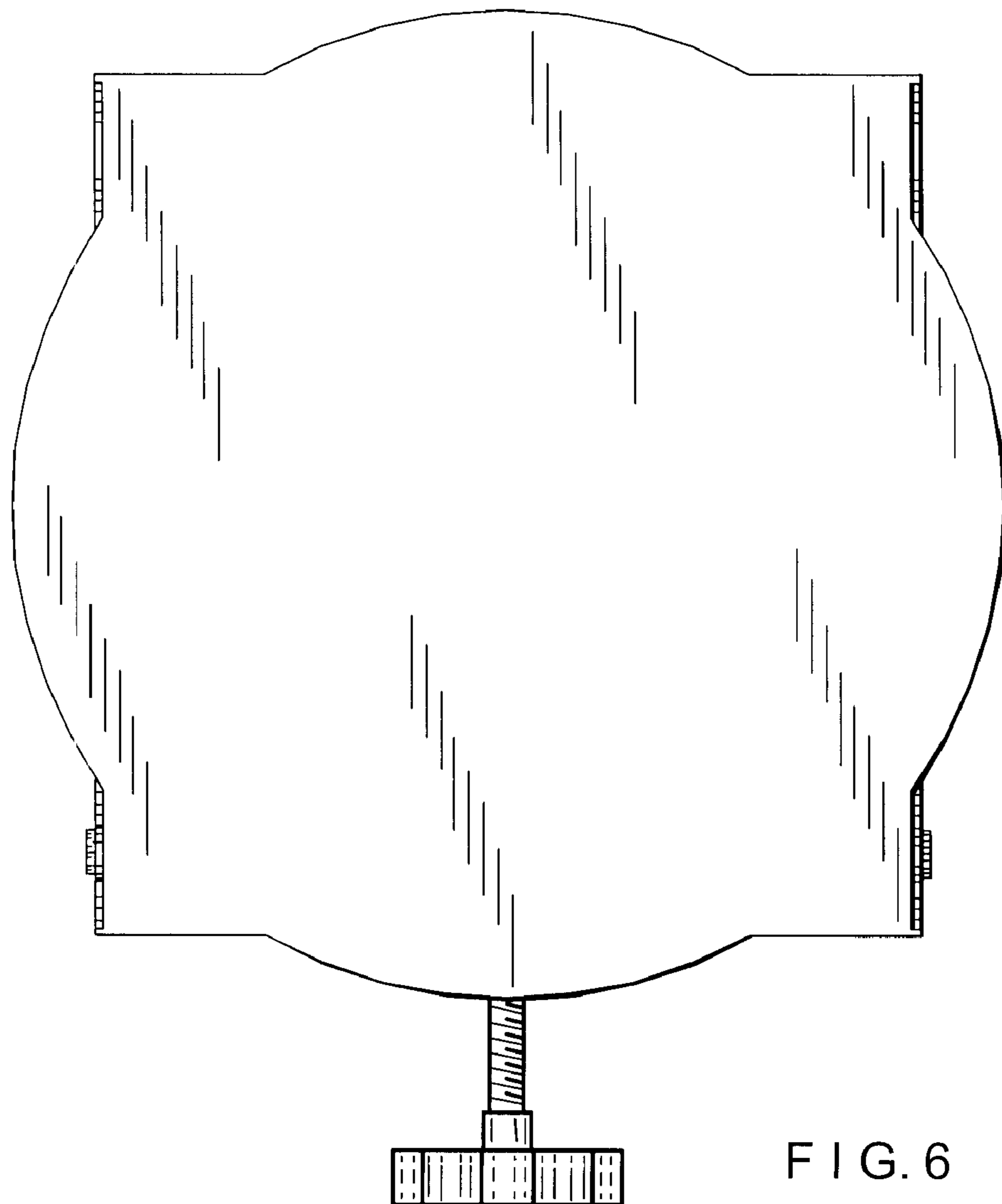


FIG. 6

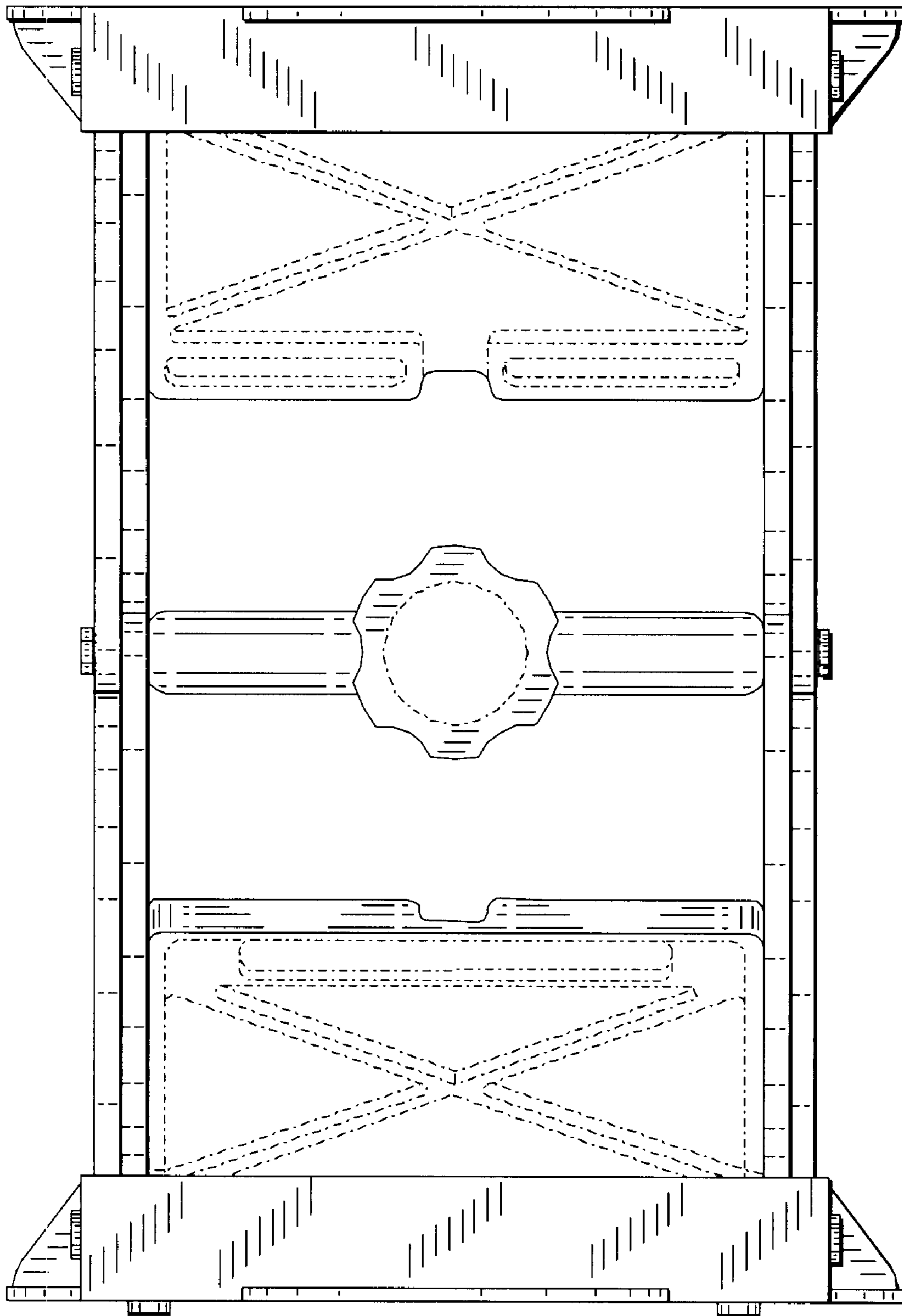


FIG. 7

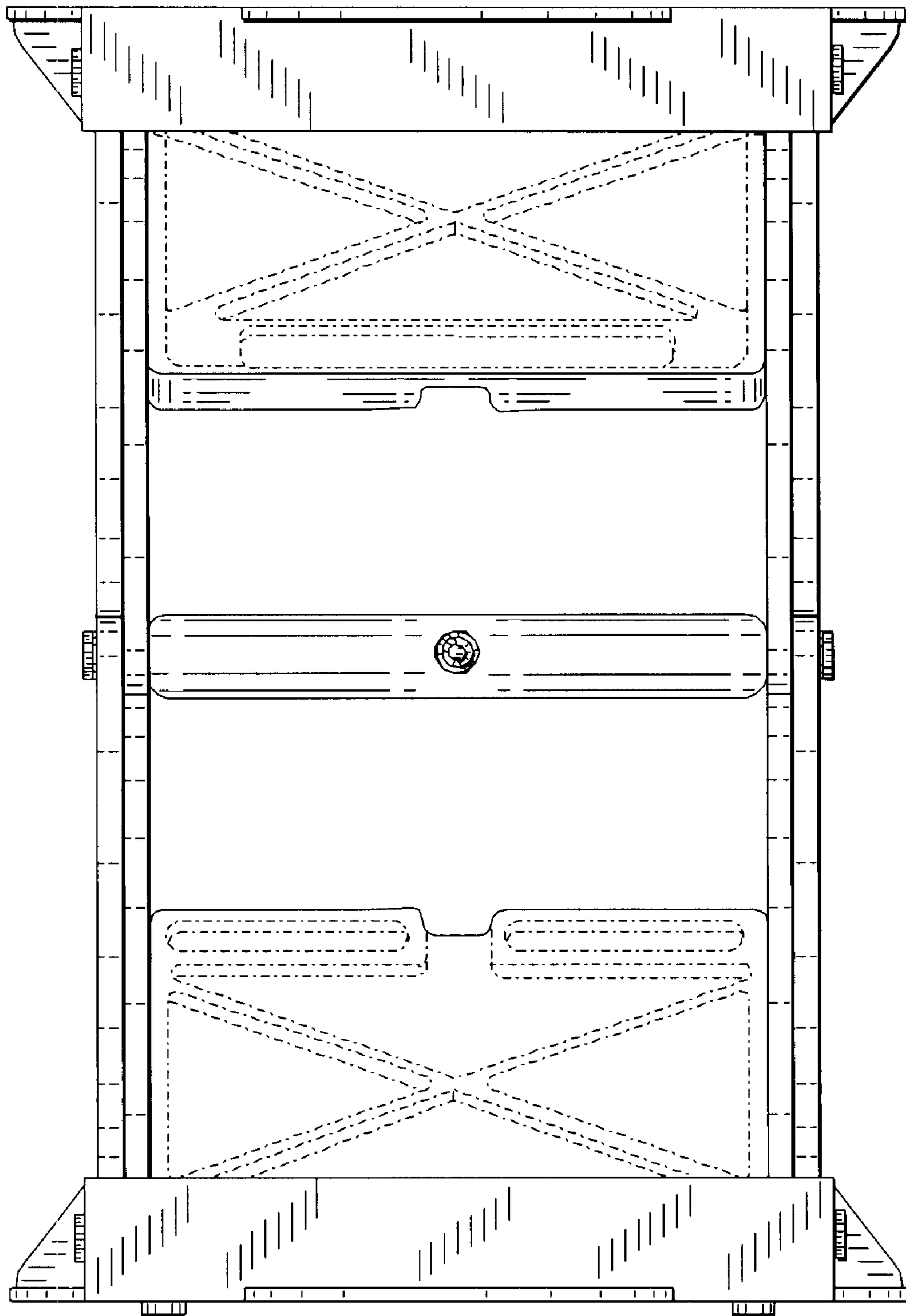


FIG. 8

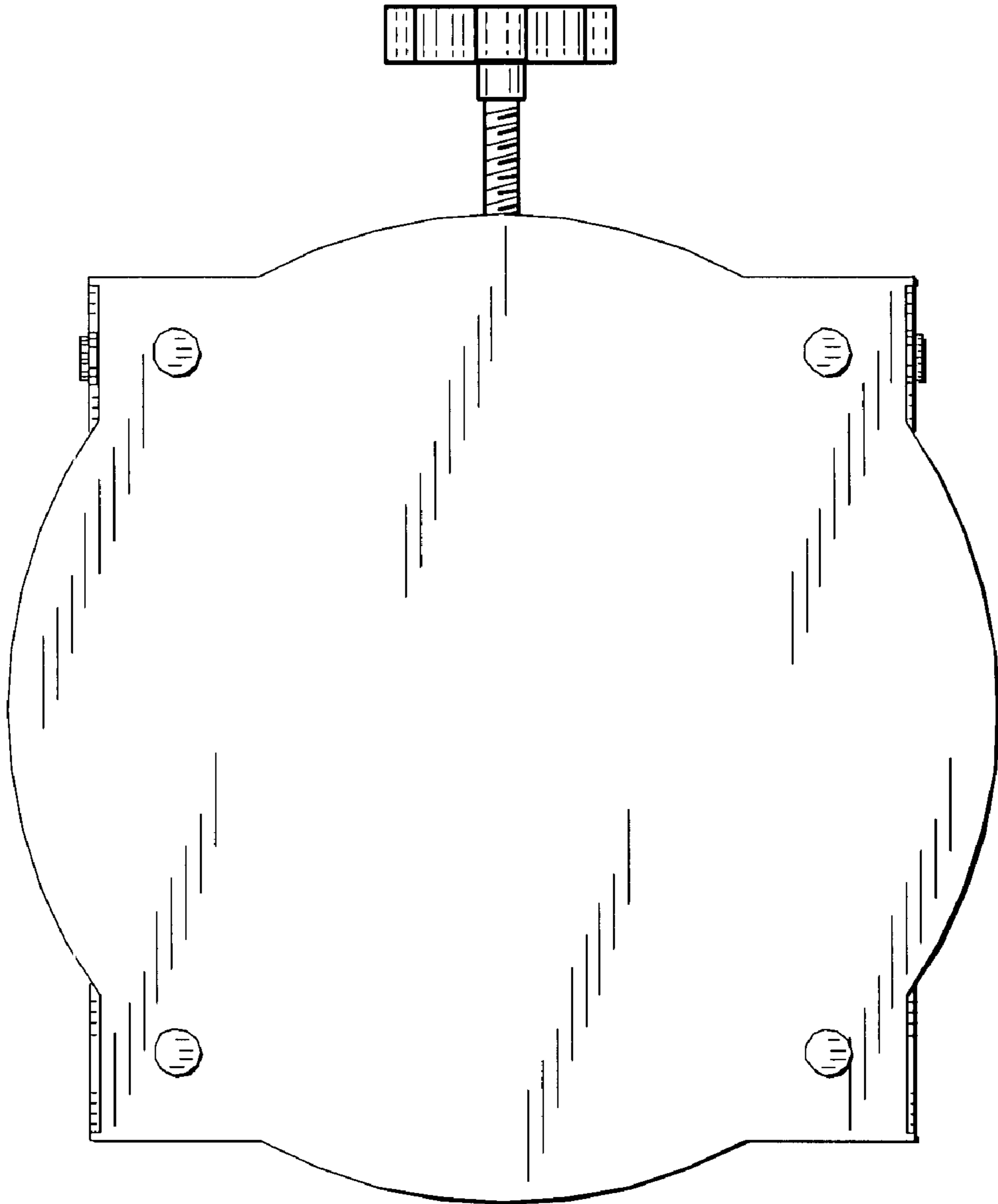


FIG. 9



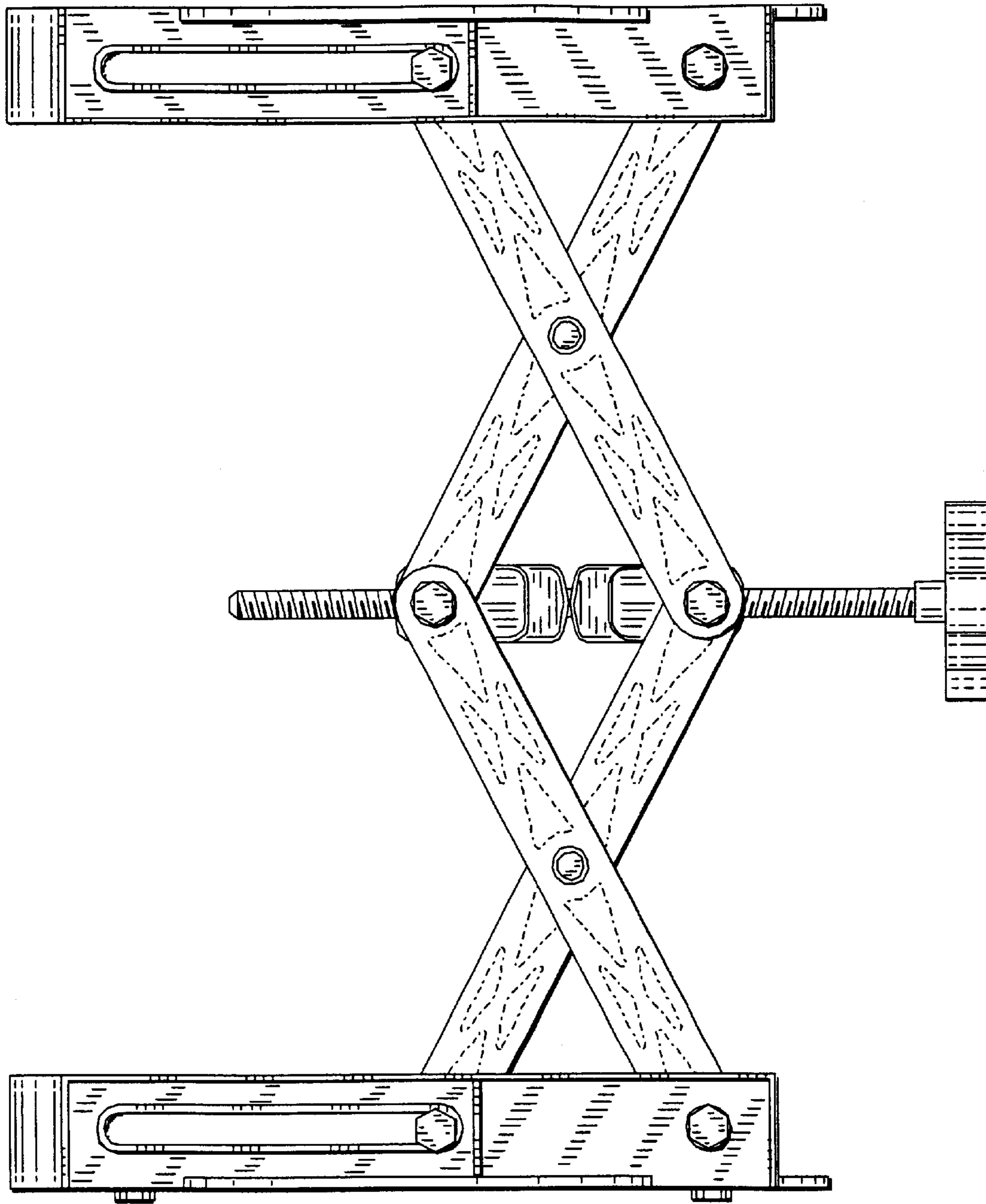


FIG. 10