

US00D541503S

(12) **United States Design Patent**
Lee

(10) **Patent No.:** **US D541,503 S**
(45) **Date of Patent:** **** Apr. 24, 2007**

(54) **ELECTRIC POWERED GOLF CART**

(76) Inventor: **David M. J. Lee**, 1935 Potrero Grande Dr., Apt. 420, Monterey Park, CA (US) 91755

(**) Term: **14 Years**

(21) Appl. No.: **29/253,793**

(22) Filed: **Feb. 13, 2006**

(30) **Foreign Application Priority Data**

Nov. 8, 2005 (CN) 200520067305

(51) **LOC (8) Cl.** **12-02**

(52) **U.S. Cl.** **D34/15**

(58) **Field of Classification Search** D34/12-27;
280/33.991, 47.17, 47.34, 47.24, 47.26; 180/19.1,
180/19.3, 215, 216

See application file for complete search history.

(56) **References Cited**

U.S. PATENT DOCUMENTS

4,289,324 A	*	9/1981	Nemeth	280/38
D280,943 S	*	10/1985	Catford	D34/15
D285,017 S	*	8/1986	Zentis et al.	D34/15
D292,039 S	*	9/1987	Moore	D34/15
D300,577 S	*	4/1989	Pope et al.	D34/15
D321,964 S	*	11/1991	Alterbaum	D34/15

D362,527 S	*	9/1995	Arrigoni	D34/15
D425,447 S	*	5/2000	Hsieh	D12/16
6,152,465 A	*	11/2000	Shieh	280/62
6,435,539 B1	*	8/2002	Wu	280/652
6,715,785 B2	*	4/2004	Shieh	280/651
6,749,214 B2	*	6/2004	Shieh	280/651
D506,300 S	*	6/2005	Lee	D34/15

* cited by examiner

Primary Examiner—Freda S. Nunn
Assistant Examiner—Kevin K. Rudzinski

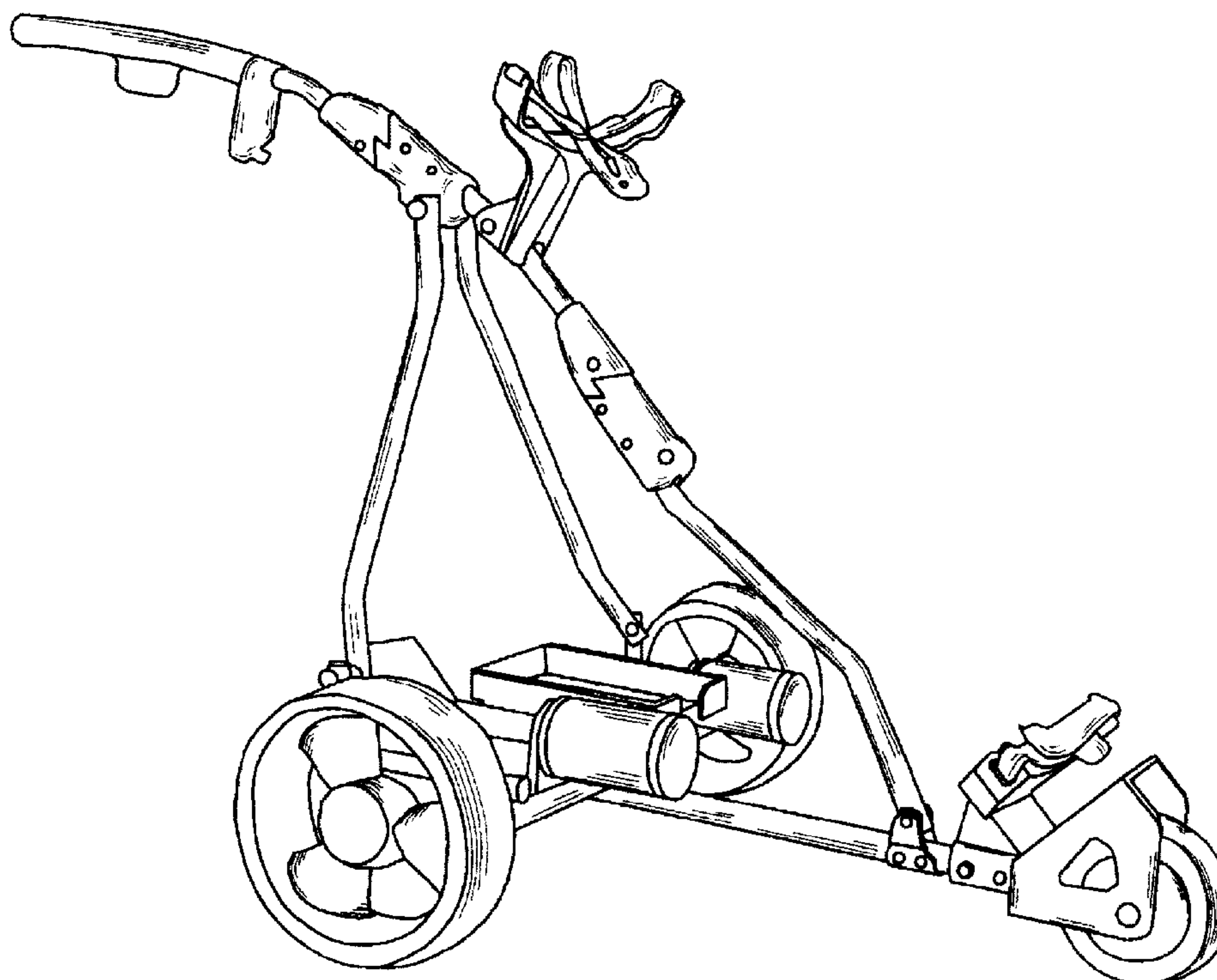
(57) **CLAIM**

The ornamental design for electric powered golf cart, as shown and described.

DESCRIPTION

FIG. 1 is a right perspective view of the preferred embodiment of electric powered golf cart showing my new design; FIG. 2 is a left perspective view of the preferred embodiment of electric powered golf cart; FIG. 3 is a front perspective view of the preferred embodiment of electric powered golf cart showing my new design; FIG. 4 is a rear perspective view of the preferred embodiment of electric powered golf cart; and, FIG. 5 is a bottom view of the preferred embodiment of electric powered golf cart.

1 Claim, 5 Drawing Sheets



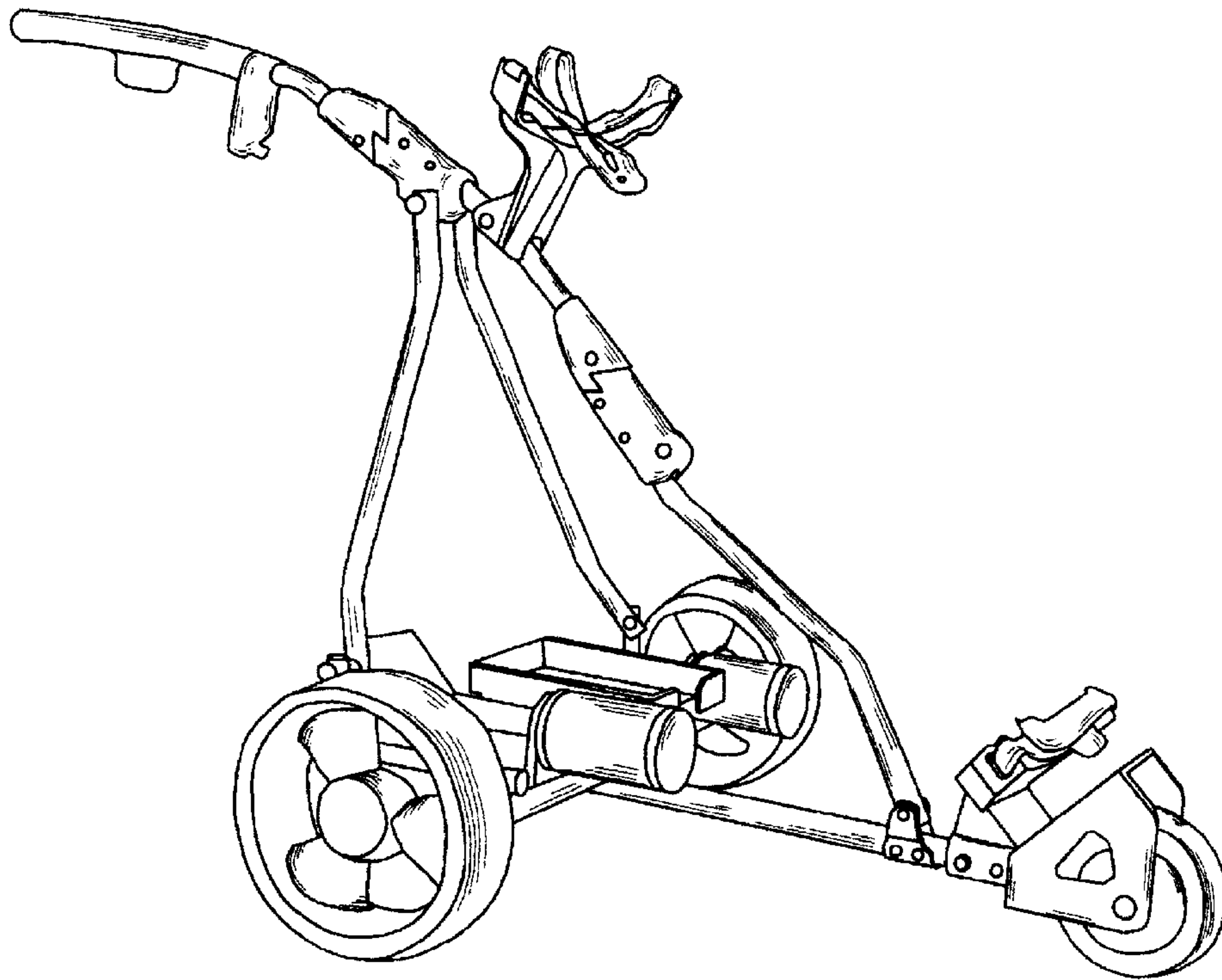


Figure 1

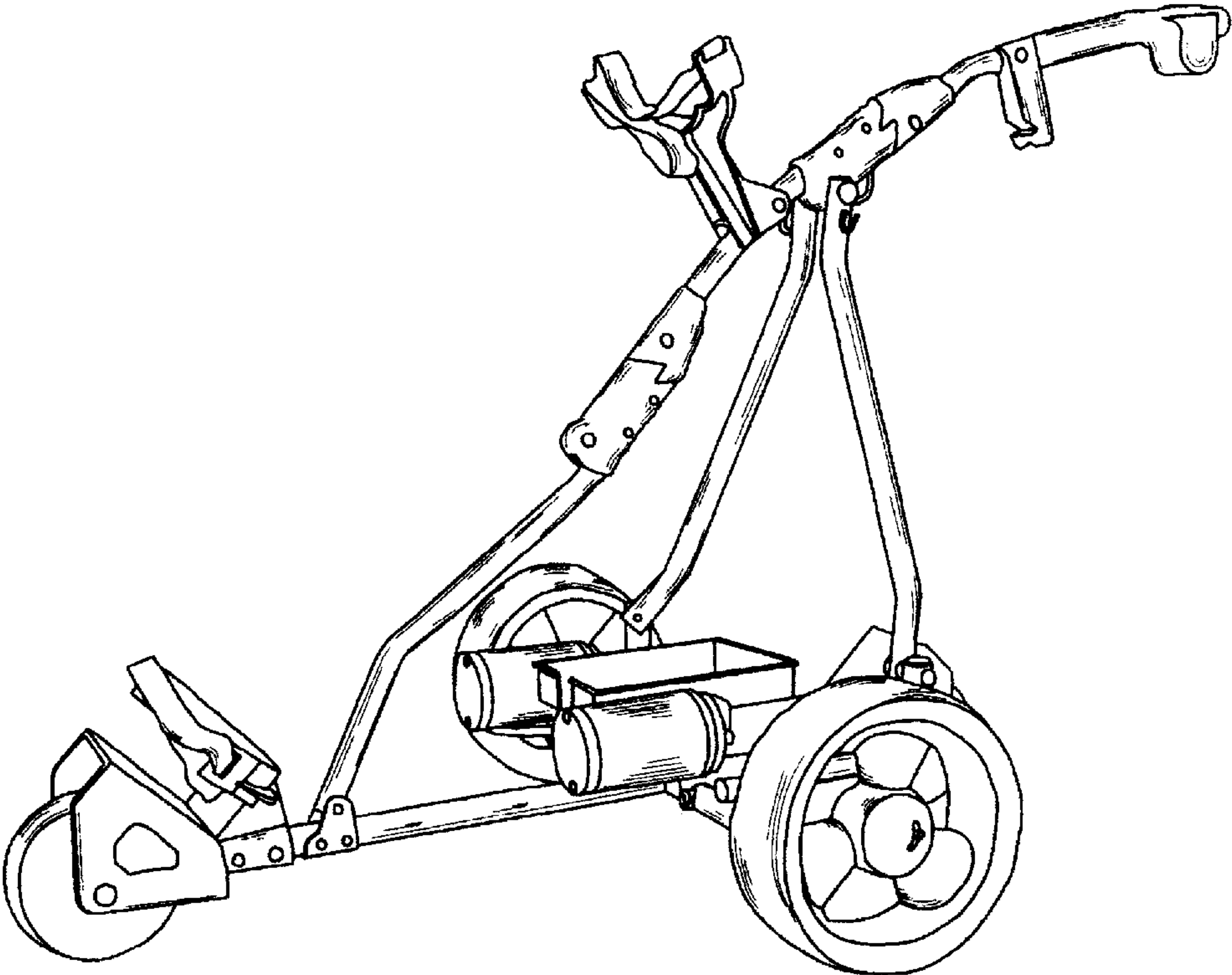


Figure 2

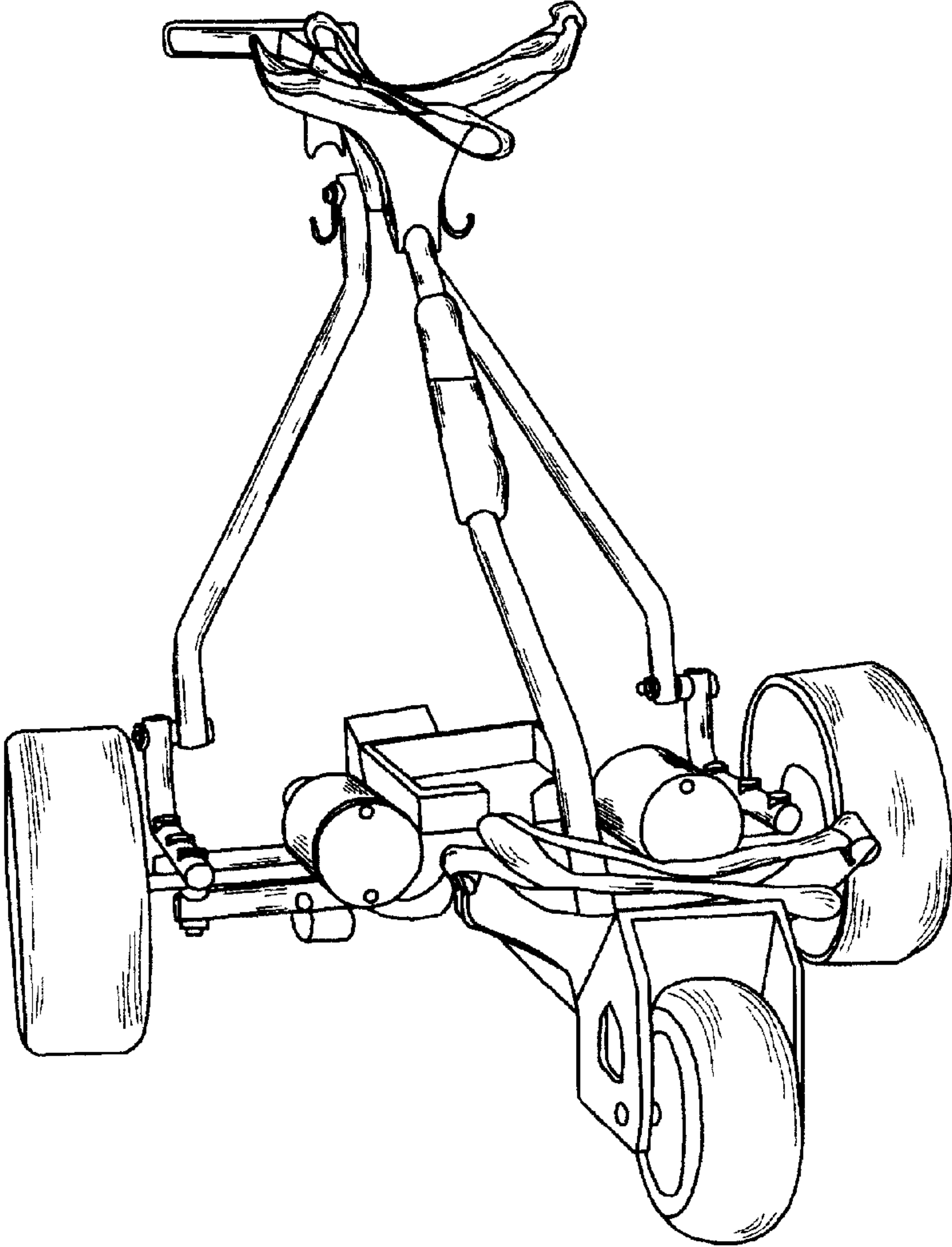


Figure 3

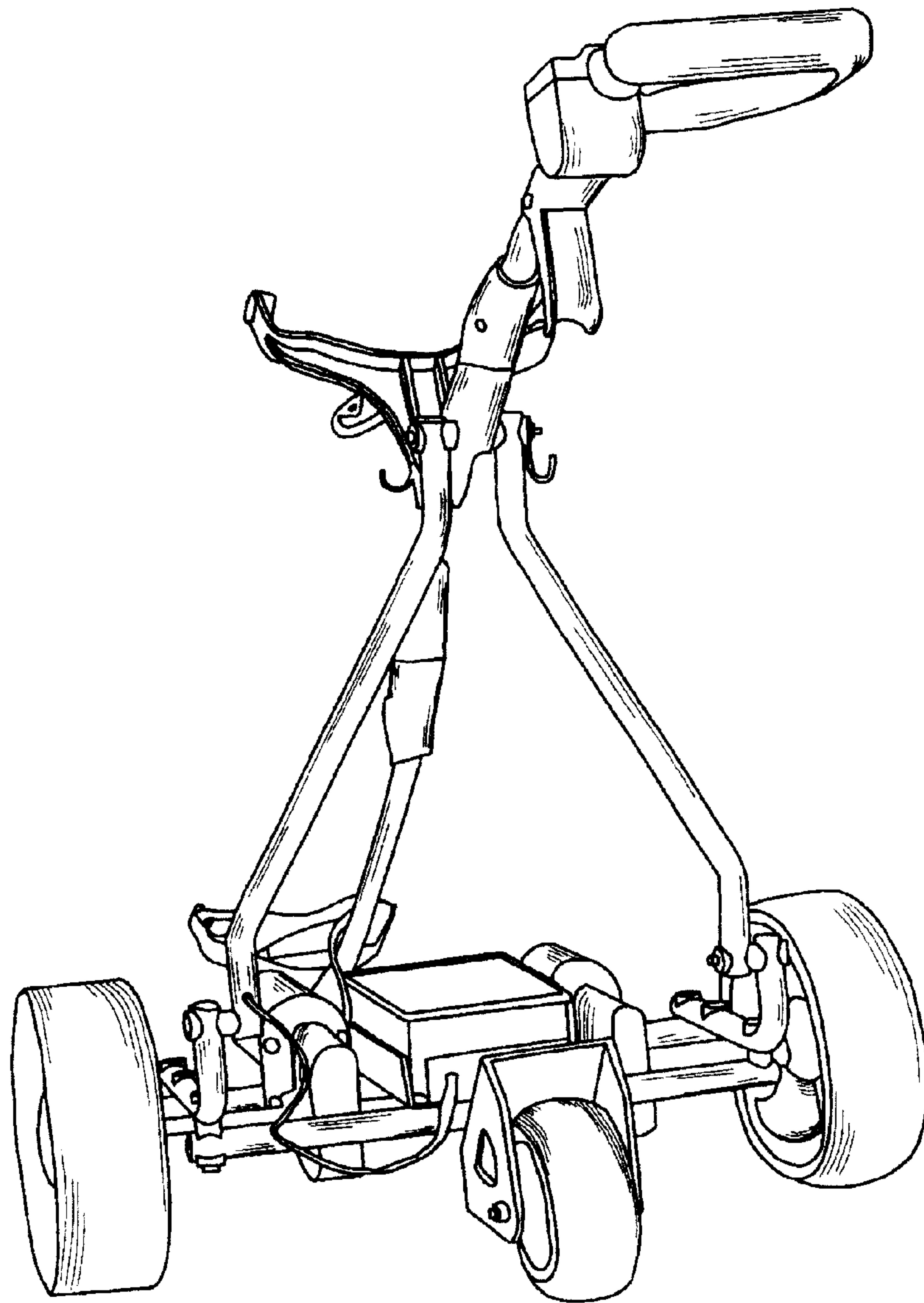


Figure 4

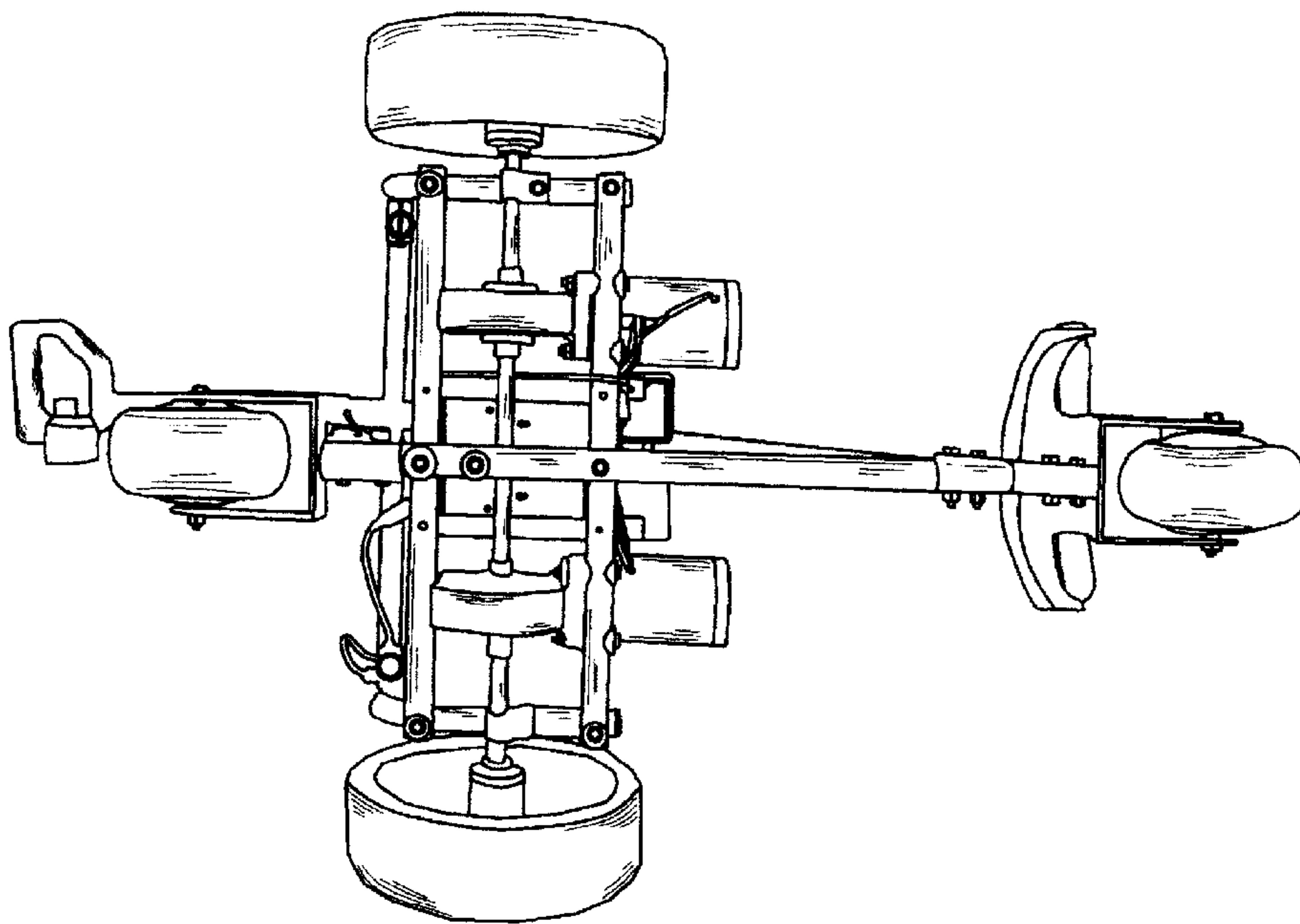


Figure 5