

US00D541502S

(12) **United States Design Patent**
Powell

(10) **Patent No.:** **US D541,502 S**

(45) **Date of Patent:** **** Apr. 24, 2007**

(54) **STEAM IRON**

(75) Inventor: **Dick Powell**, London (GB)

(73) Assignee: **Calor**, Lyons (FR)

(**) Term: **14 Years**

(21) Appl. No.: **29/217,859**

(22) Filed: **Nov. 24, 2004**

(30) **Foreign Application Priority Data**

Jun. 2, 2004 (FR) 04 2719

(51) **LOC (8) Cl.** **07-05**

(52) **U.S. Cl.** **D32/70**

(58) **Field of Classification Search** D32/68-72;
38/69, 74-75, 77.1-77.9, 90-97; 219/245-248
See application file for complete search history.

(56) **References Cited**

U.S. PATENT DOCUMENTS

D315,238 S	*	3/1991	Tien-Lai	D32/70
5,120,934 A	*	6/1992	Nakada et al.	219/247
D353,246 S	*	12/1994	Kameda	D32/70
D361,184 S	*	8/1995	Casuso Fuente	D32/70
D370,104 S	*	5/1996	Gudefin	D32/70
D386,863 S	*	11/1997	Lin	D32/70
D389,622 S	*	1/1998	Dziersk	D32/70
D393,509 S	*	4/1998	Gudefin	D32/70

5,924,224 A	*	7/1999	Demuth et al.	38/77.8
D427,403 S		6/2000	Gudefin		
D433,551 S		11/2000	Powell		
6,276,078 B1	*	8/2001	Beverly et al.	38/90
D455,533 S	*	4/2002	Choi	D32/70
D481,185 S	*	10/2003	Powell	D32/70

FOREIGN PATENT DOCUMENTS

FR	618 473	2/2001
FR	740 698	9/2004

* cited by examiner

Primary Examiner—Pamela J. Burgess
(74) *Attorney, Agent, or Firm*—Browdy and Neimark, PLLC

(57) **CLAIM**

The ornamental design for a steam iron, as shown.

DESCRIPTION

FIG. 1 is a perspective view of a steam iron in accordance with the present design;
FIG. 2 is a right side view thereof;
FIG. 3 is a left side view thereof;
FIG. 4 is a front view thereof;
FIG. 5 is a rear view thereof;
FIG. 6 is a top plan view thereof; and,
FIG. 7 is a bottom plan view thereof.

1 Claim, 7 Drawing Sheets

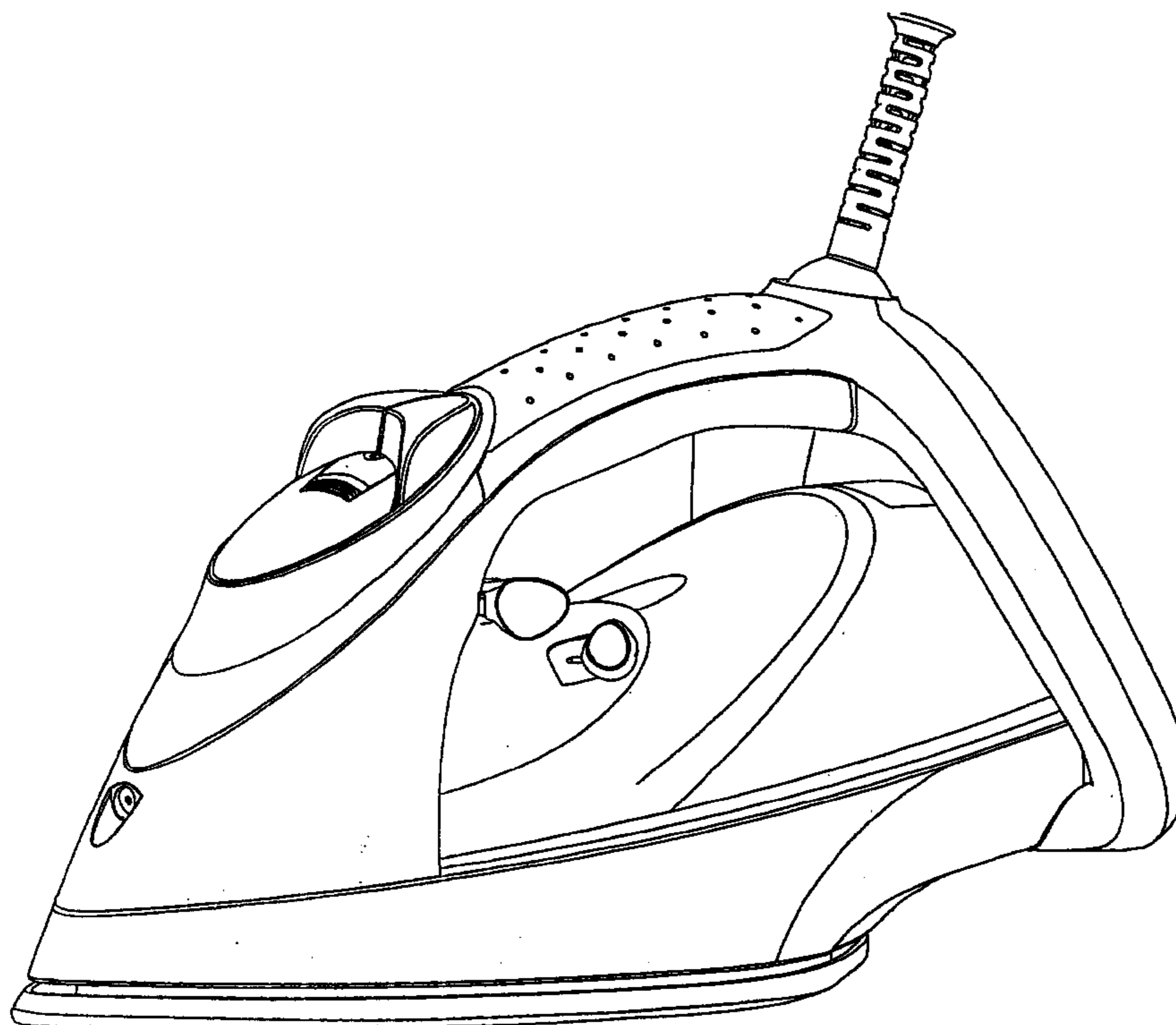


Figure 1

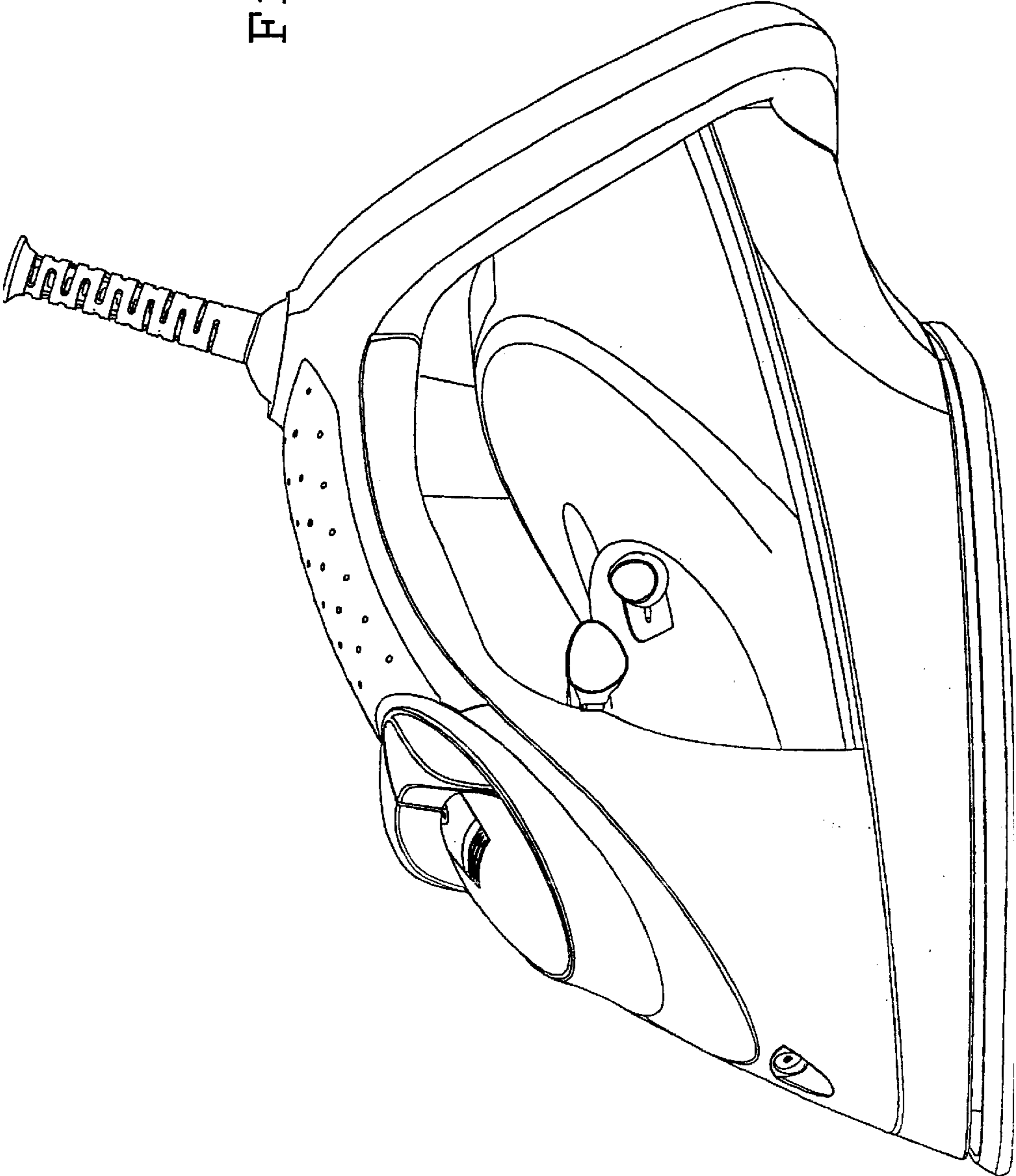
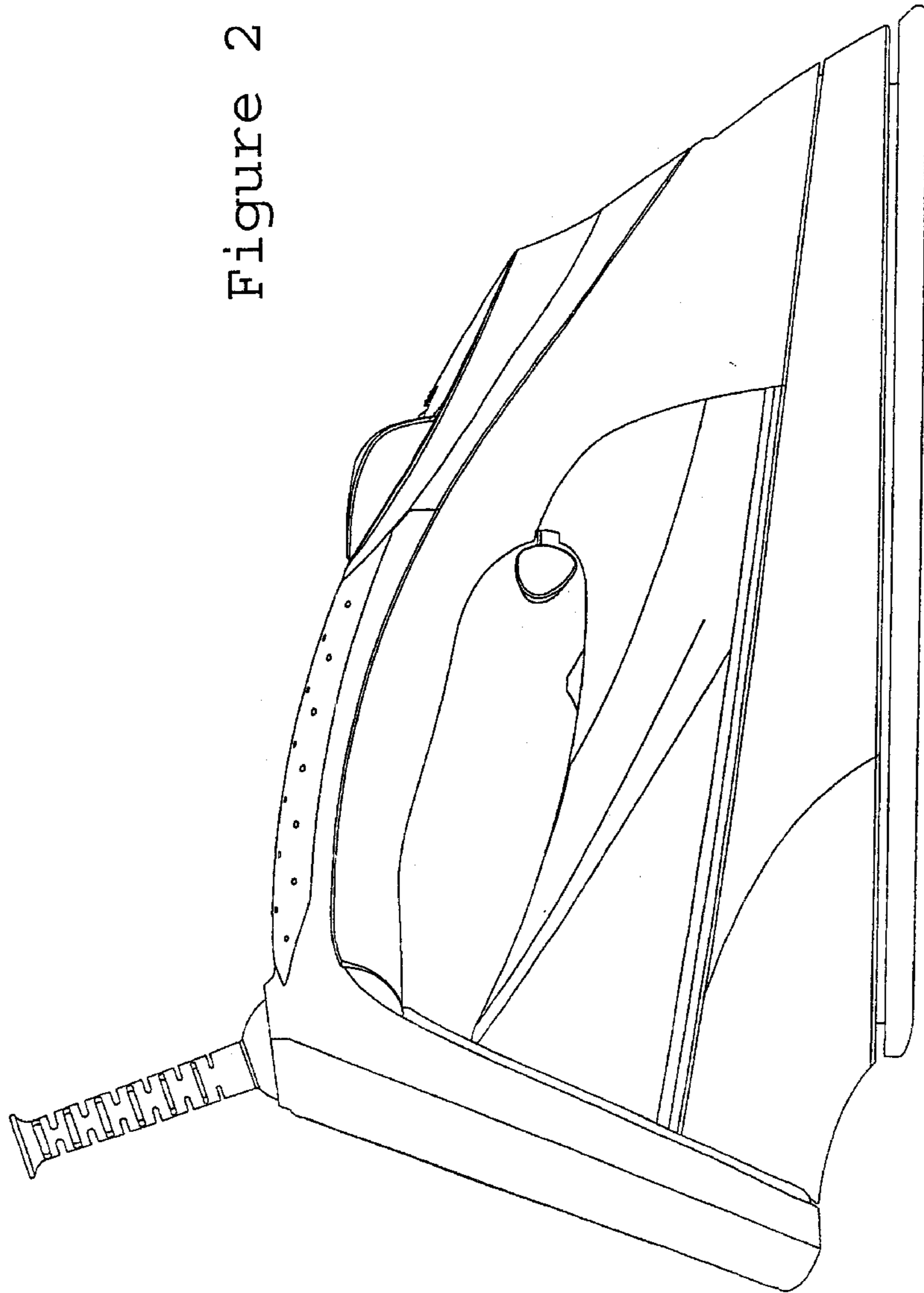


Figure 2



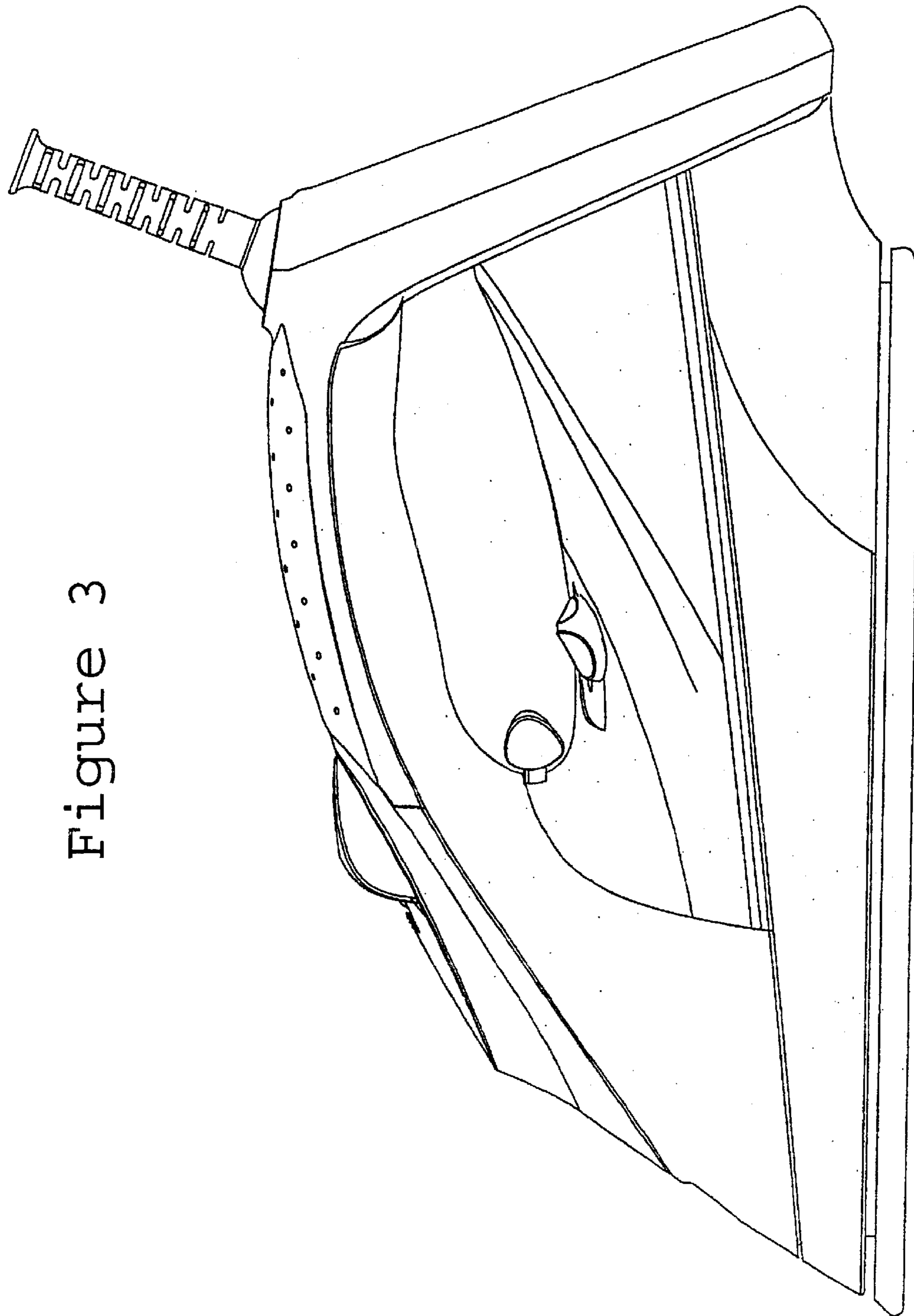


Figure 3

Figure 4

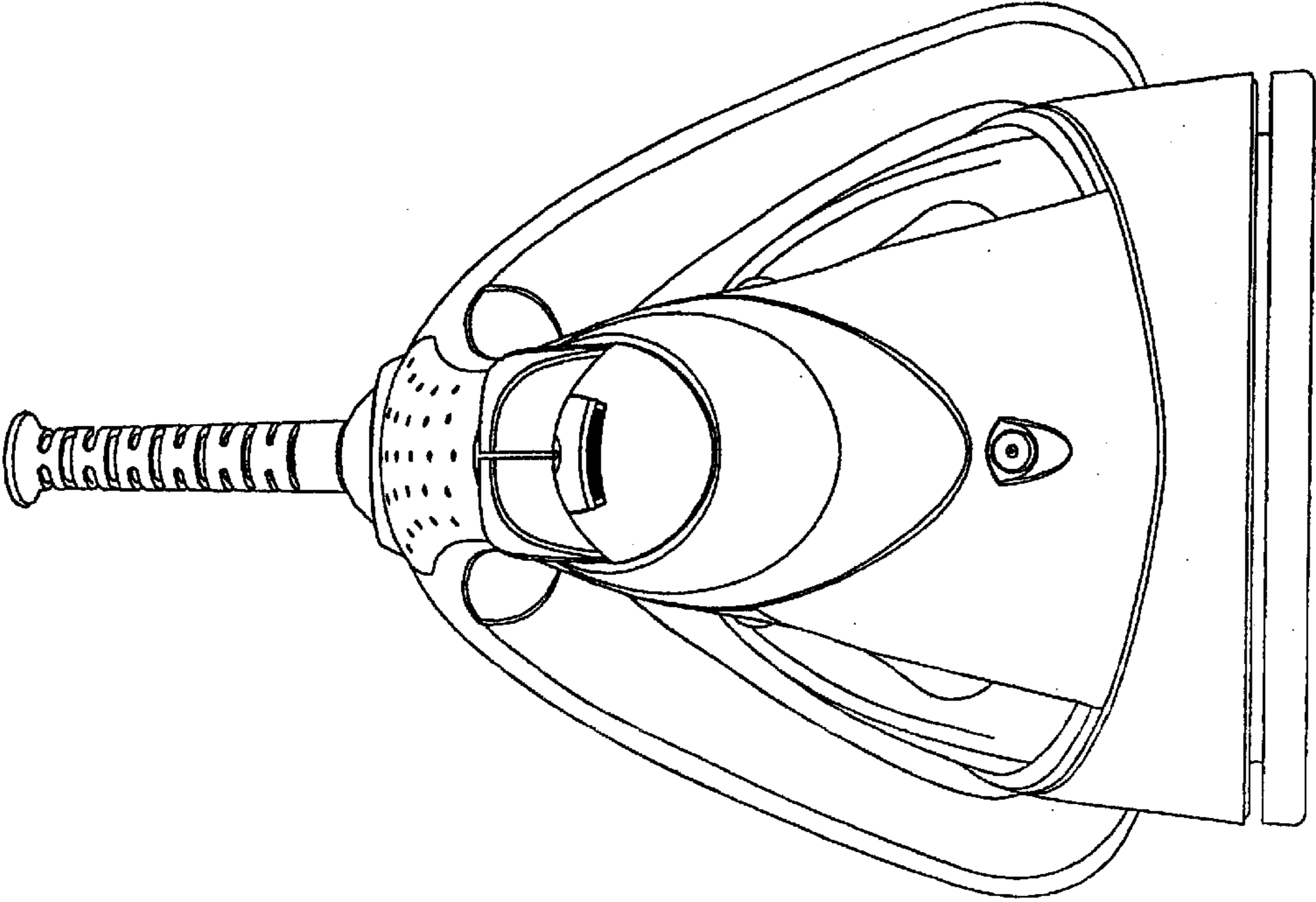
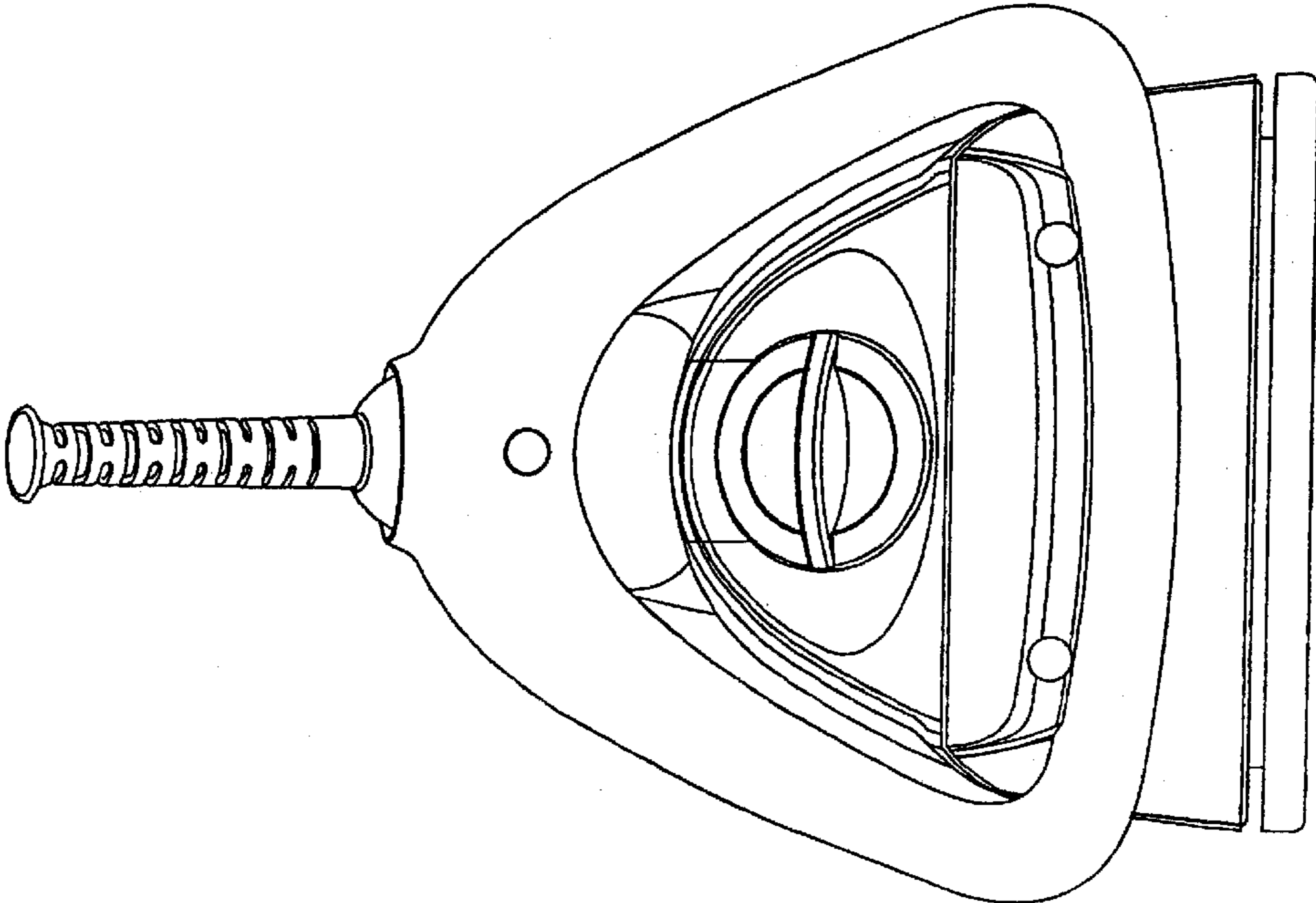


Figure 5



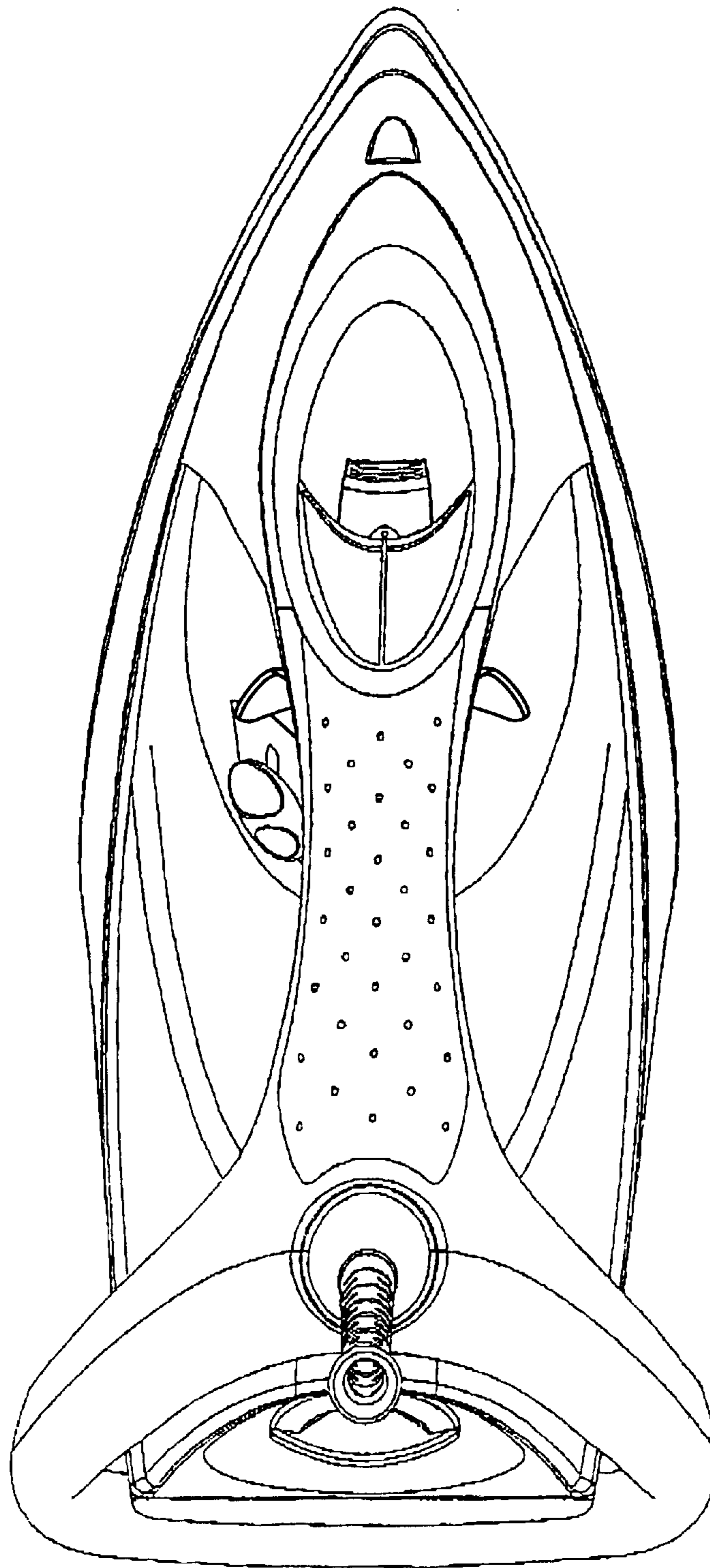


Figure 6

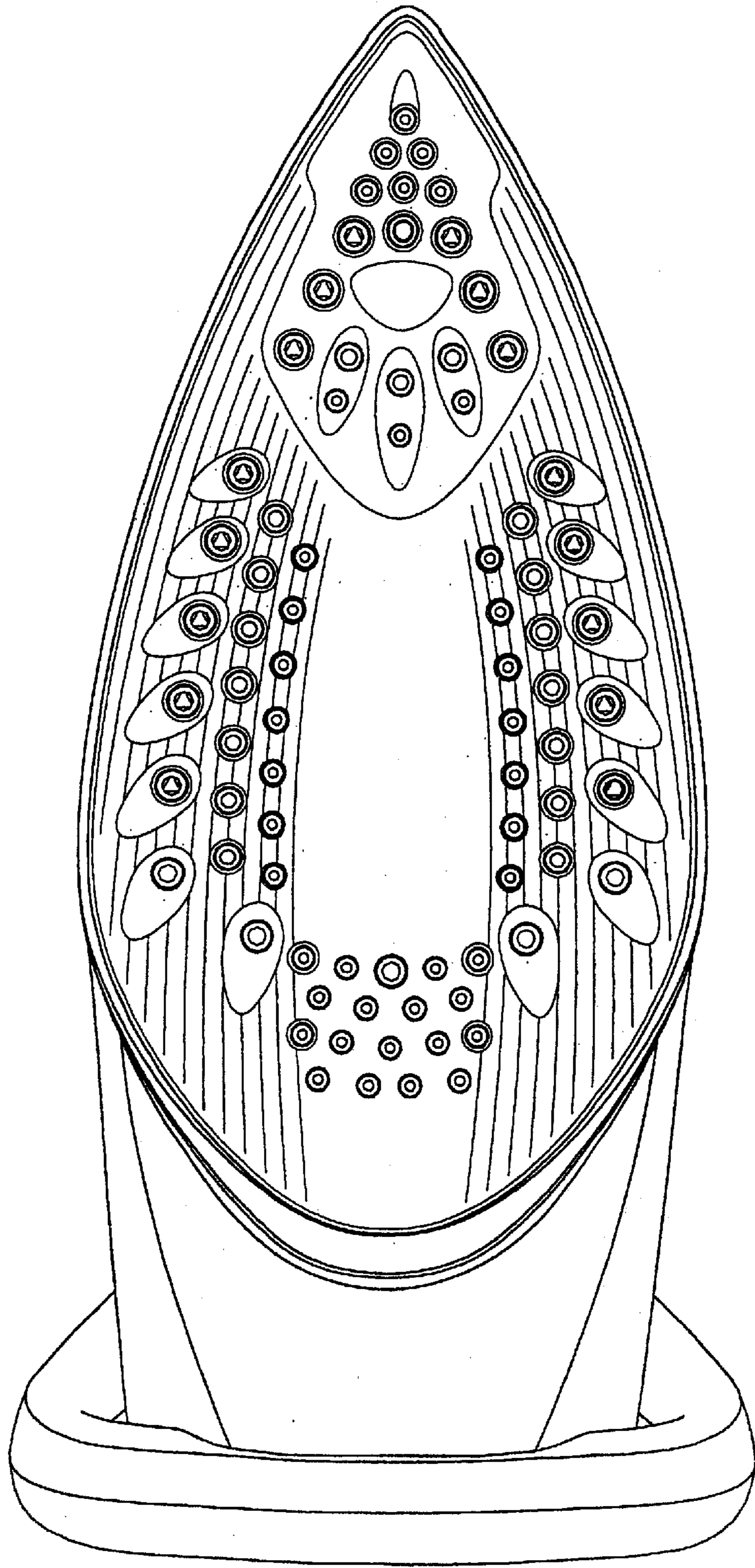


Figure 7