



US00D541500S

(12) **United States Design Patent**
Leung

(10) **Patent No.:** **US D541,500 S**

(45) **Date of Patent:** **** Apr. 24, 2007**

- (54) **STEAM IRON**
- (75) Inventor: **Albert Yat Cheong Leung**, Kowloon (HK)
- (73) Assignee: **Tunbow Electrical Limited**, Kwun Tong Kowloon (HK)
- (**) Term: **14 Years**
- (21) Appl. No.: **29/193,676**
- (22) Filed: **Nov. 12, 2003**
- (51) **LOC (8) Cl.** **07-05**
- (52) **U.S. Cl.** **D32/35; D32/69**
- (58) **Field of Classification Search** D32/35, D32/68-72; 38/68-94; 68/222; 219/245-248; 392/402-405
See application file for complete search history.

- D373,870 S 9/1996 Reibl
- D373,872 S 9/1996 Sham
- D376,455 S 12/1996 Loomis
- D381,153 S 7/1997 Loomis
- D388,574 S 12/1997 Clouet
- D388,575 S 12/1997 Naft
- D389,622 S 1/1998 Dziersk

(Continued)

Primary Examiner—Pamela Burgess
(74) *Attorney, Agent, or Firm*—Brinks Hofer Gilson and Lione

(57) **CLAIM**

The ornamental design for a steam iron, as shown and described.

DESCRIPTION

FIG. 1 is a perspective view of a first embodiment of a steam iron showing my design.
 FIG. 2 is a top view of the embodiment of FIG. 1;
 FIG. 3 is a left-side elevational view of the embodiment of FIG. 1;
 FIG. 4 is a bottom view, showing the side opposite that in FIG. 2;
 FIG. 5 is a right-side elevational view, showing the side opposite that in FIG. 3;
 FIG. 6 is a rear view of the embodiment of FIG. 1;
 FIG. 7 is a front view, showing the side opposite that in FIG. 6;
 FIG. 8 is a perspective view of a second embodiment of a steam iron showing my new design;
 FIG. 9 is a top view of the embodiment of FIG. 8;
 FIG. 10 is a left-side elevational view of the embodiment of FIG. 8;
 FIG. 11 is a bottom view, showing the side opposite that in FIG. 9;
 FIG. 12 is a right-side elevational view, showing the side opposite that in FIG. 10;
 FIG. 13 is a rear view of the embodiment of FIG. 8; and,
 FIG. 14 is a front view, showing the side opposite that in FIG. 13.

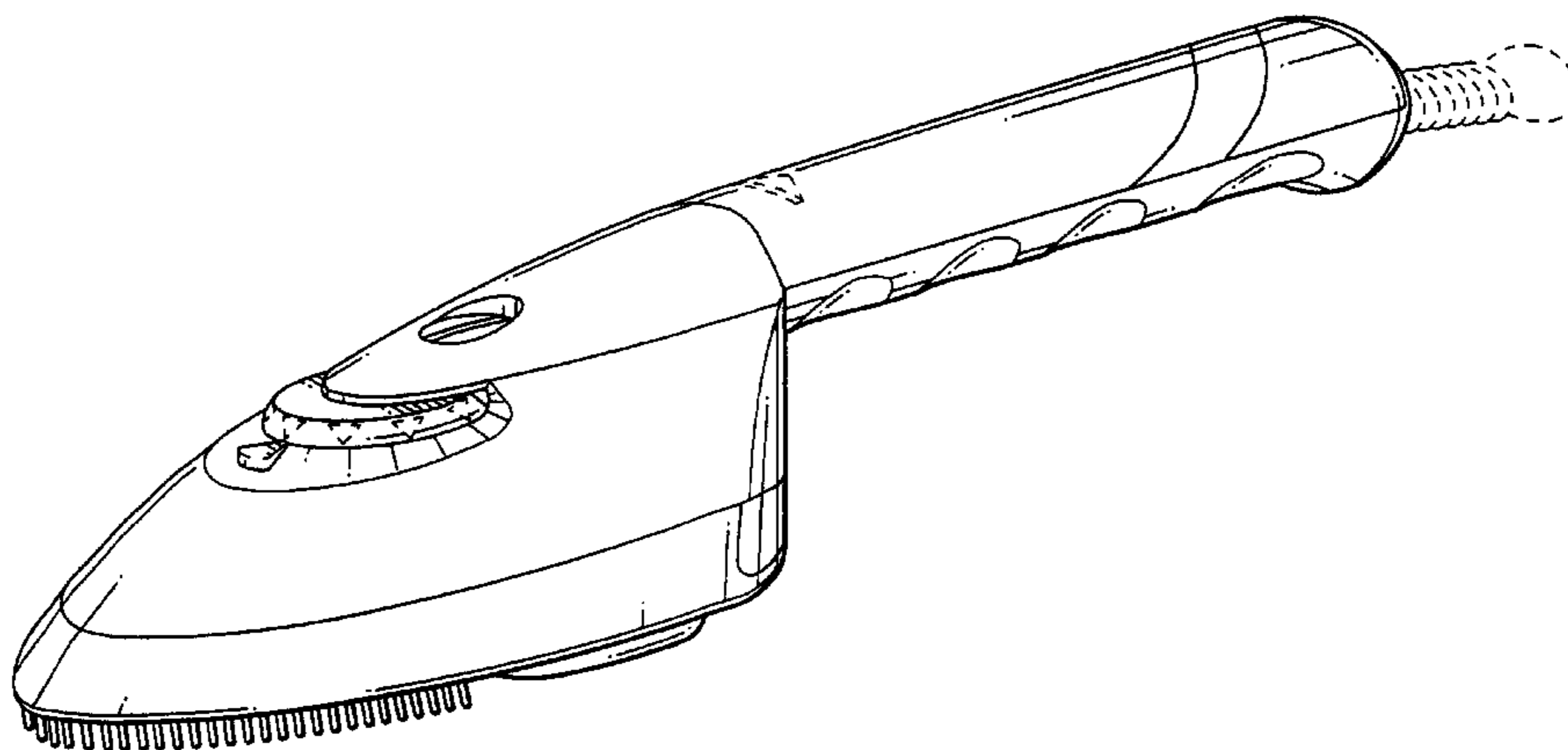
The broken lines shown in the drawings are for illustrative purposes only and form no part of the claimed design.

1 Claim, 12 Drawing Sheets

(56) **References Cited**

U.S. PATENT DOCUMENTS

D85,676 S	*	12/1931	Varady	D32/69
D230,458 S	*	2/1974	Hall	D32/69
3,811,208 A	*	5/1974	Vieceli et al.	38/77.8
4,206,340 A	*	6/1980	Osrow et al.	392/334
4,496,826 A	*	1/1985	Osrow	392/335
D327,151 S		6/1992	Rohner et al.		
D340,329 S		10/1993	Barrault		
D340,330 S		10/1993	Seguljic		
D342,814 S		12/1993	Bergeron		
D344,829 S		3/1994	Levin		
D349,377 S		8/1994	Stützer et al.		
D360,509 S		7/1995	Maeda et al.		
D364,019 S		11/1995	Reibl		
D364,950 S		12/1995	Classen		
D365,899 S		1/1996	Wai		
D368,348 S		3/1996	Loomis et al.		
D369,004 S		4/1996	Reibl		
D369,005 S		4/1996	Stützer et al.		
D369,890 S		5/1996	Reibl		
D370,102 S		5/1996	Muller		
D370,103 S		5/1996	Gudefin		
D371,878 S		7/1996	Muller		
D373,869 S		9/1996	Stützer et al.		



US D541,500 S

Page 2

U.S. PATENT DOCUMENTS

D389,627 S	1/1998	Stützer et al.		D464,779 S	10/2002	Garman	
D389,968 S	1/1998	Sham		D464,780 S	10/2002	Schupp	
D406,933 S	3/1999	Leverrier		D465,626 S	11/2002	Edmonds	
D408,107 S	4/1999	Clouet		D466,260 S	11/2002	Wu	
D415,865 S	* 10/1999	Littmann et al. D32/70	D466,663 S	12/2002	Wendt	
D416,656 S	11/1999	Sadler		D468,505 S	1/2003	Fujita et al.	
D418,649 S	1/2000	Stützer et al.		D470,286 S	2/2003	Hada	
D428,228 S	7/2000	Saltet		D470,287 S	2/2003	Hada	
D429,048 S	8/2000	Brady		D470,635 S	2/2003	Choi	
D430,371 S	8/2000	Brady et al.		D470,636 S	2/2003	Bas	
D431,338 S	9/2000	Zanardo		D472,354 S	3/2003	Figur et al.	
D431,339 S	9/2000	Stützer et al.		D473,987 S	* 4/2003	Foersterling D32/35
D435,157 S	12/2000	Naft et al.		D476,124 S	6/2003	Garman	
D435,325 S	12/2000	Stützer et al.		D476,453 S	6/2003	Garman	
D436,704 S	1/2001	Stützer et al.		D478,401 S	8/2003	Lee	
D441,158 S	4/2001	Stützer et al.		D480,192 S	9/2003	Wendt	
D442,752 S	5/2001	Choi		D480,524 S	10/2003	Wendt	
D455,879 S	4/2002	Choi		D480,525 S	10/2003	Wendt	
D456,104 S	4/2002	Saltet		D481,503 S	10/2003	Choi	
D457,996 S	5/2002	Figur et al.		D511,232 S	* 11/2005	Barquin Santillan	
D459,045 S	6/2002	Figur et al.				et al. D32/35
D459,562 S	6/2002	Page et al.					

* cited by examiner

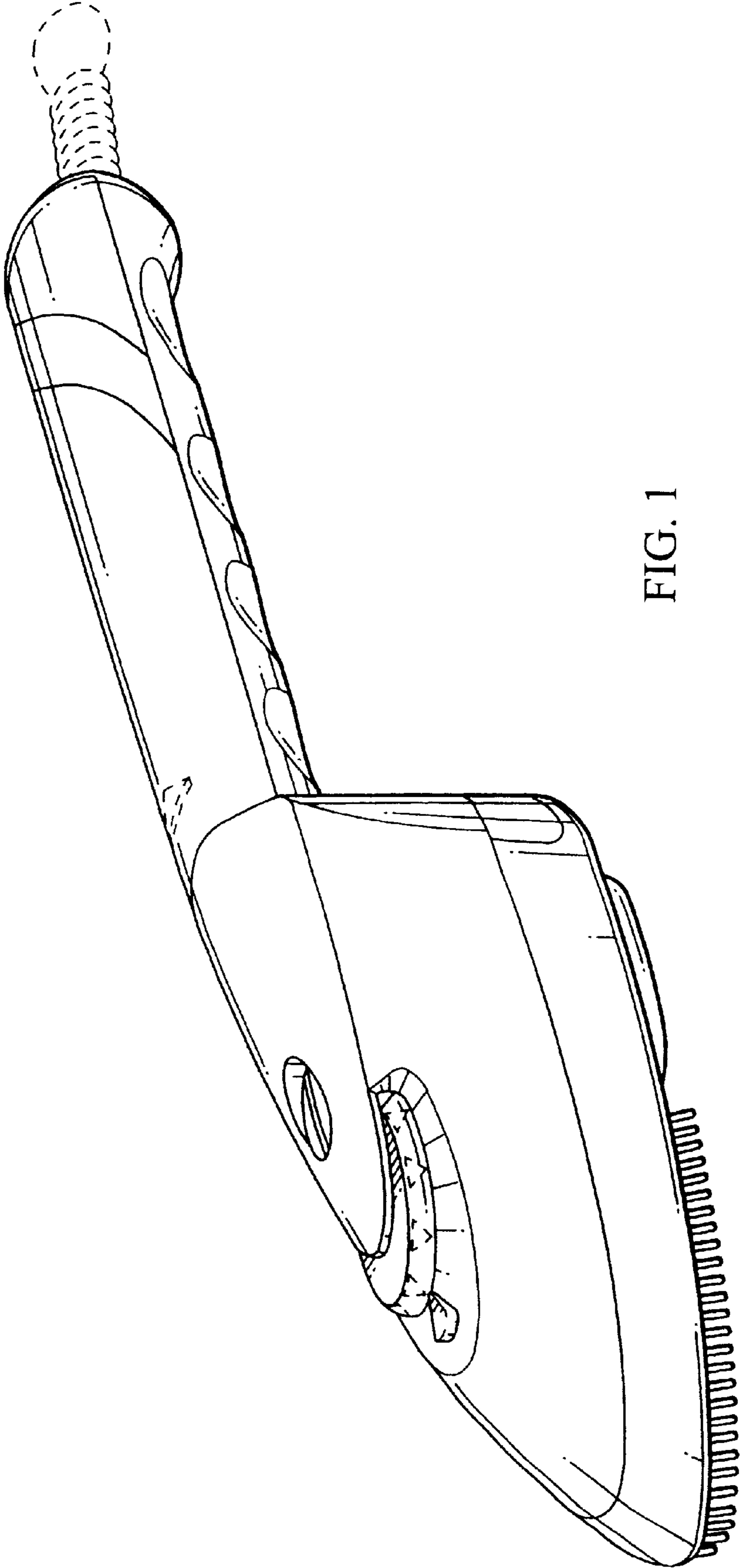


FIG. 1

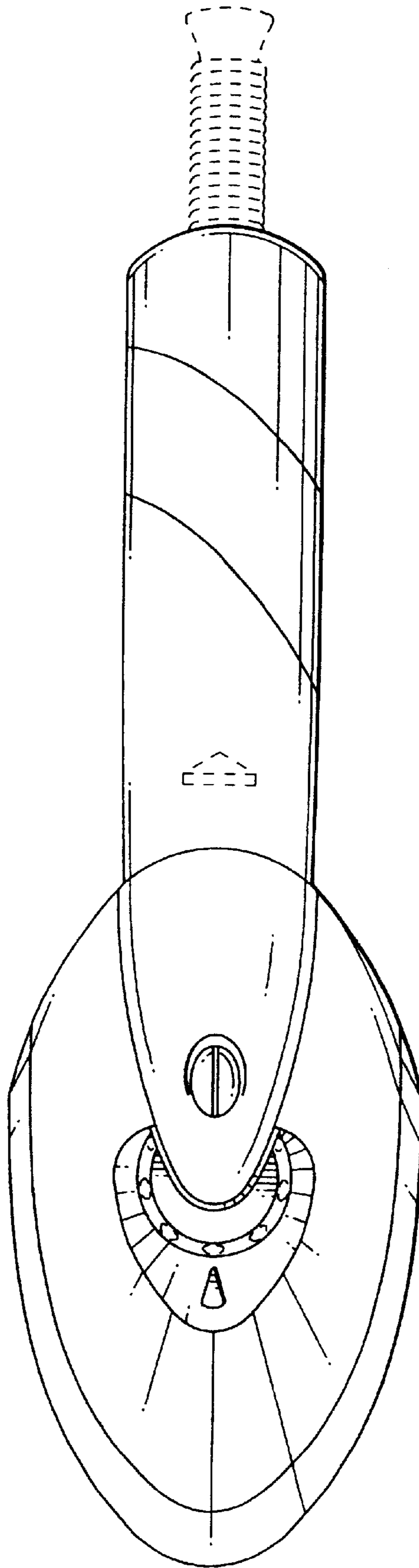


FIG. 2

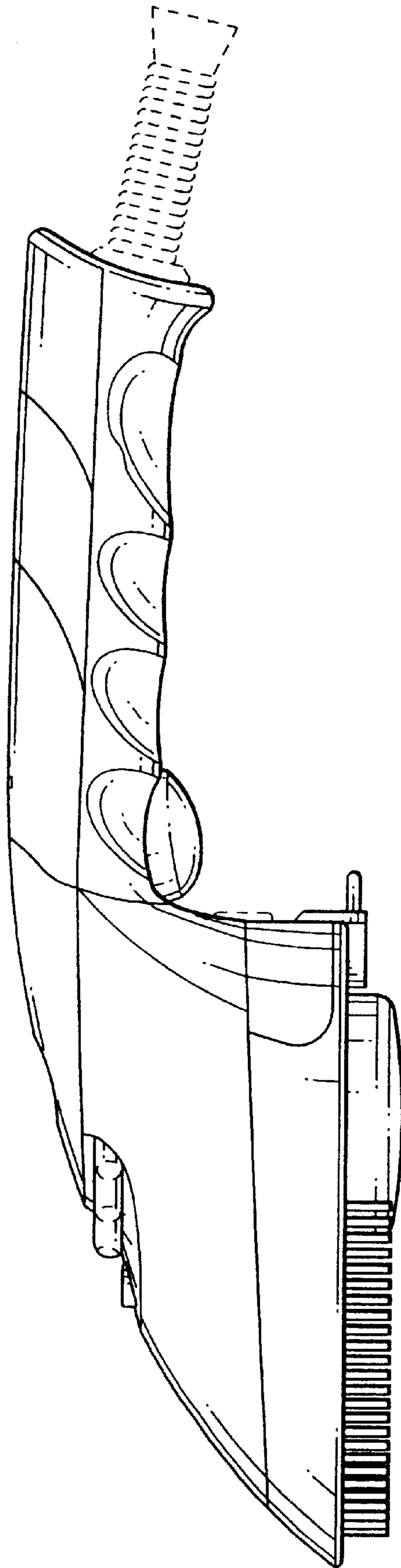


FIG. 3

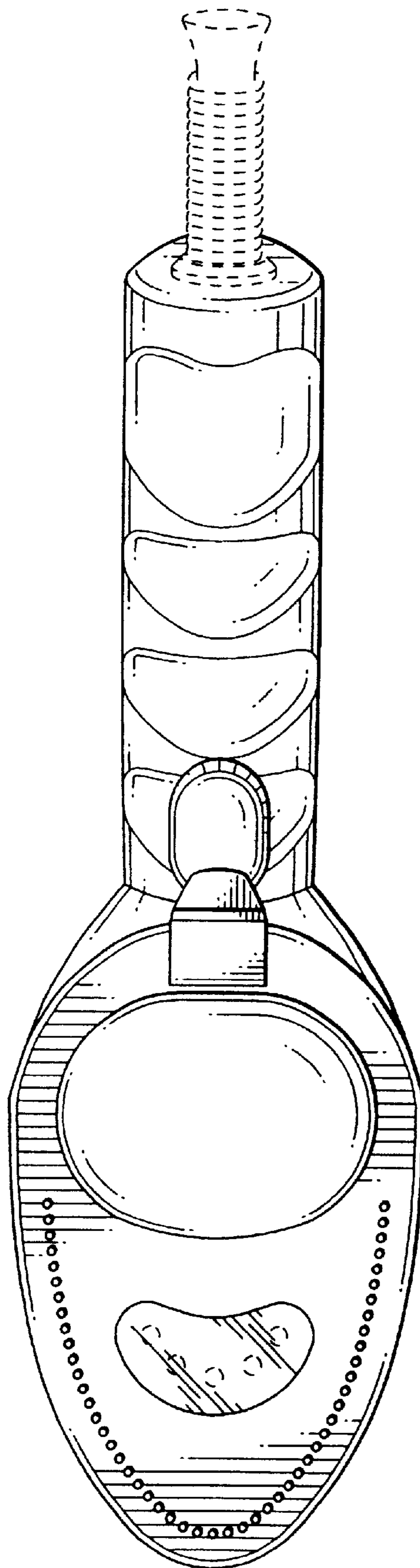


FIG. 4

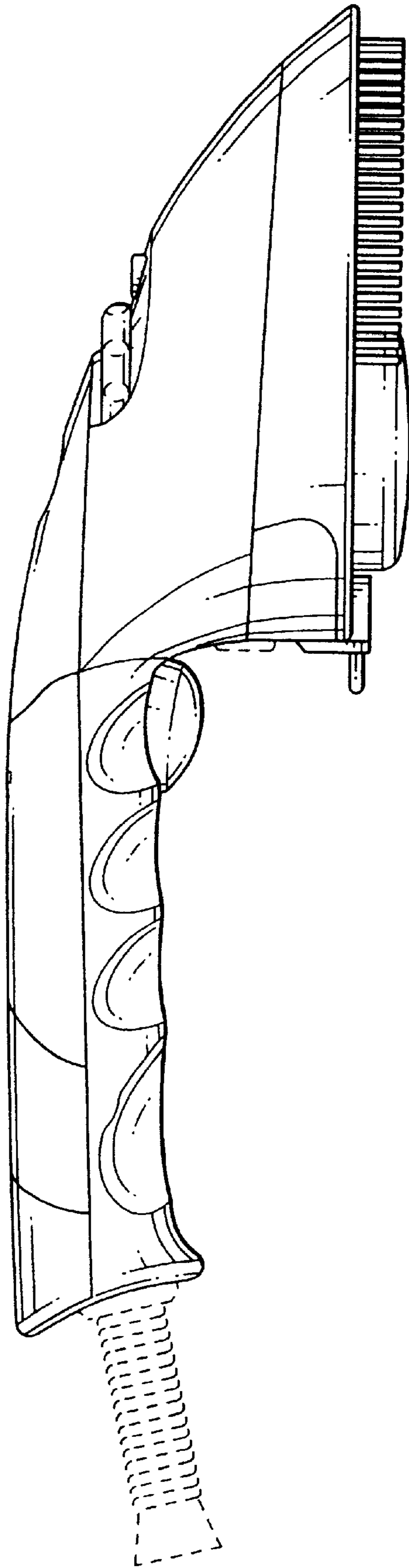


FIG. 5

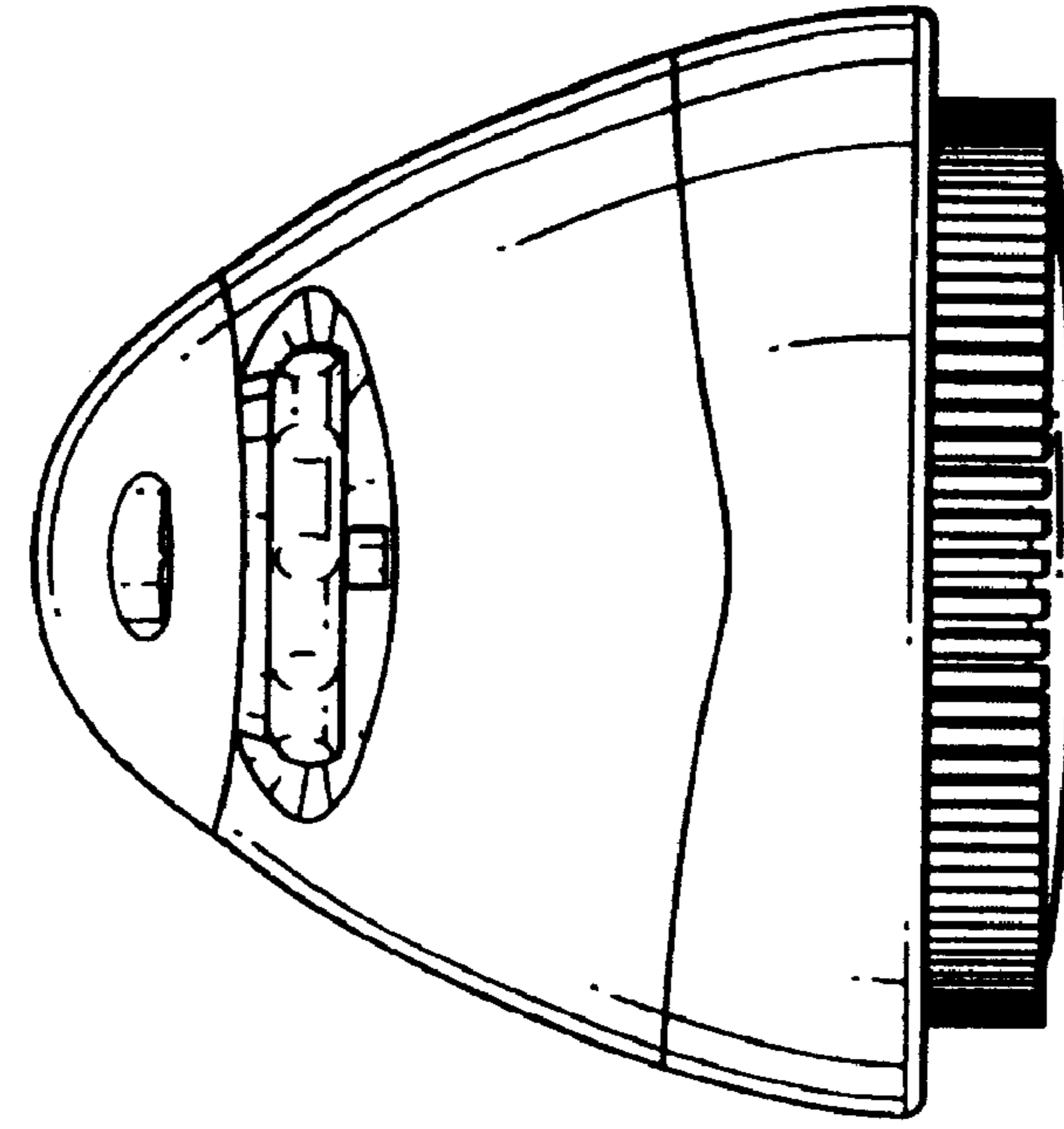


FIG. 6

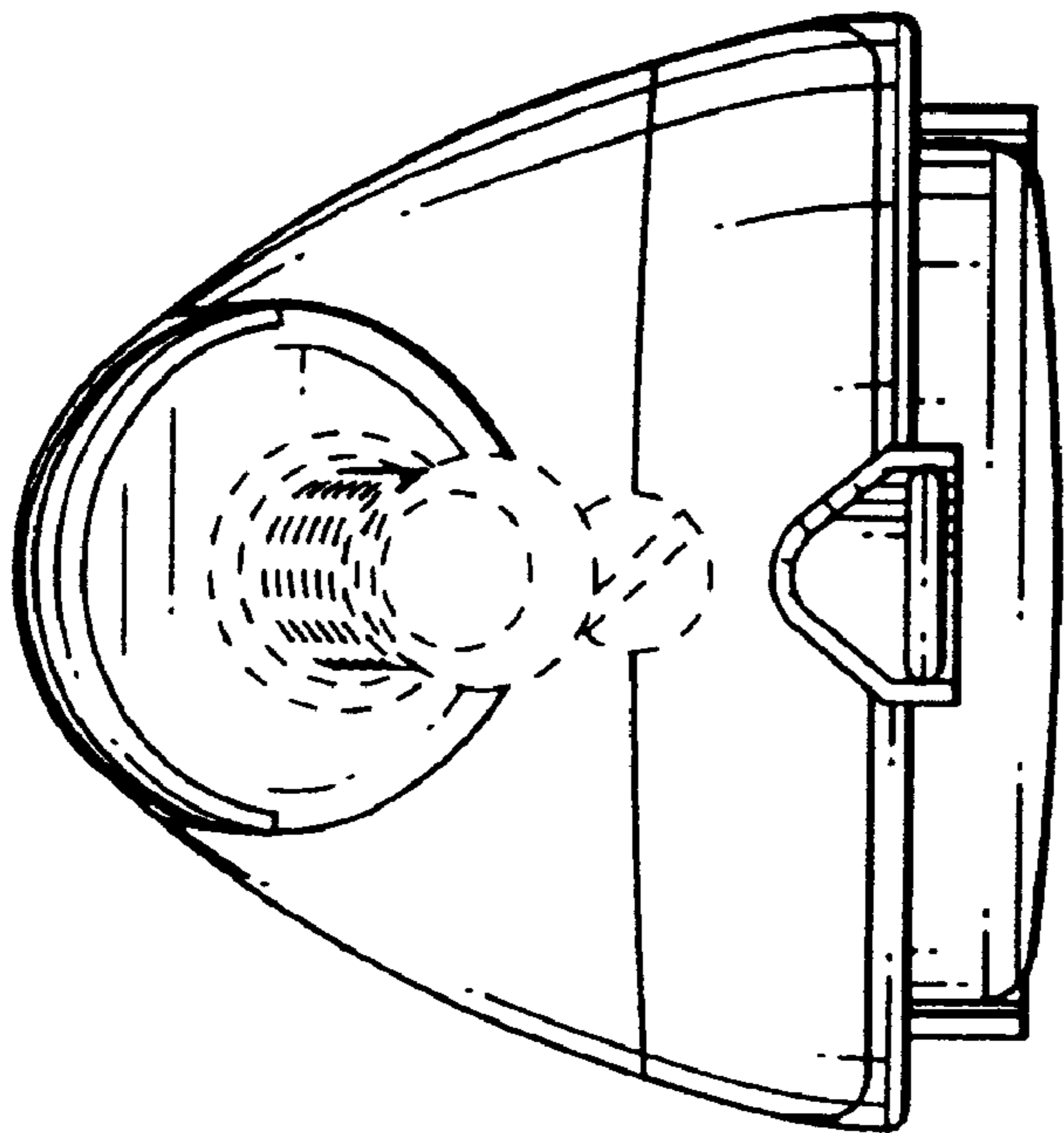


FIG. 7

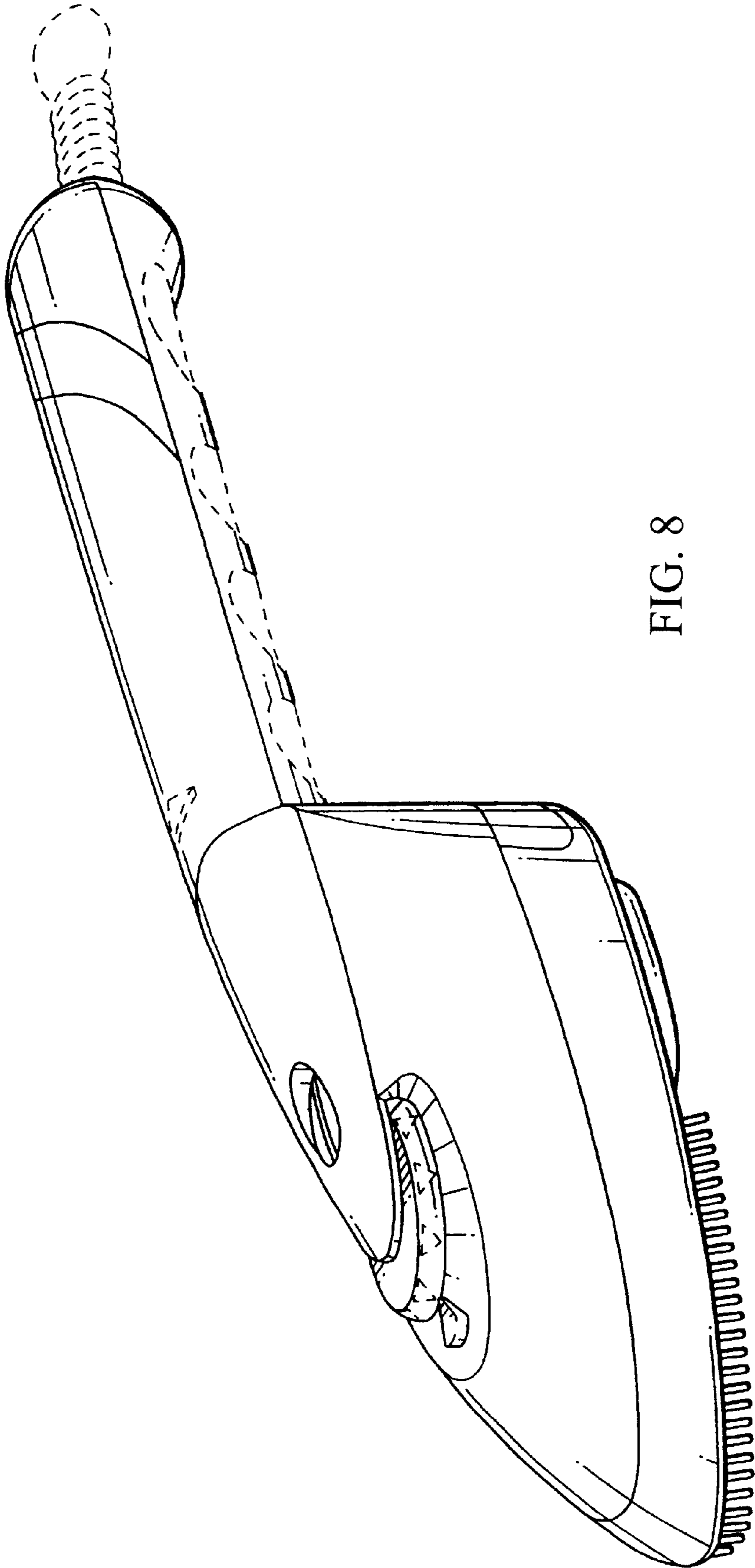


FIG. 8

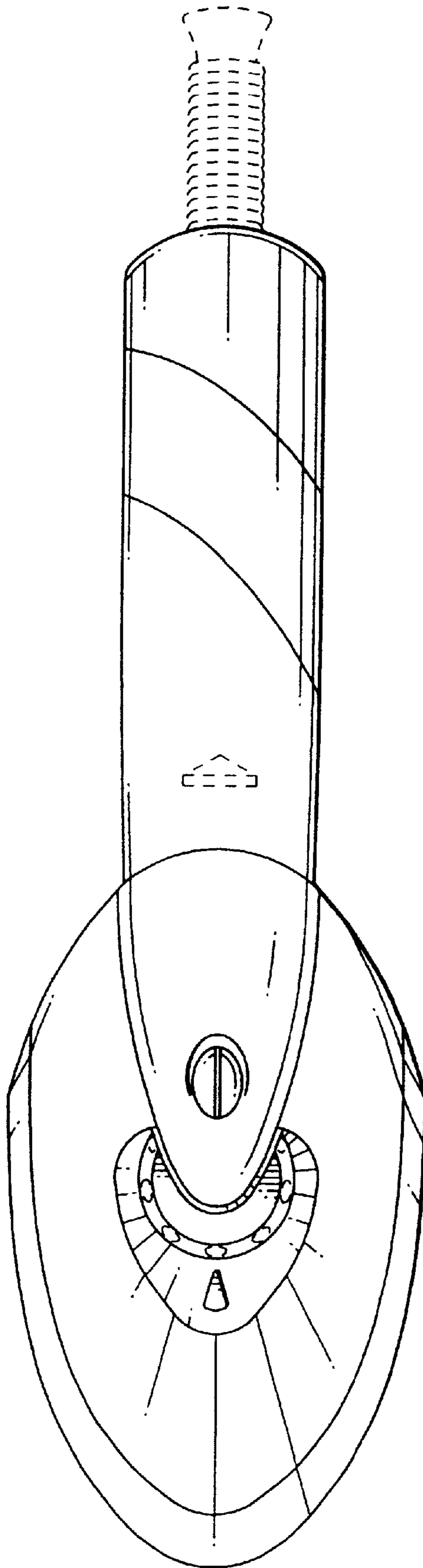


FIG. 9

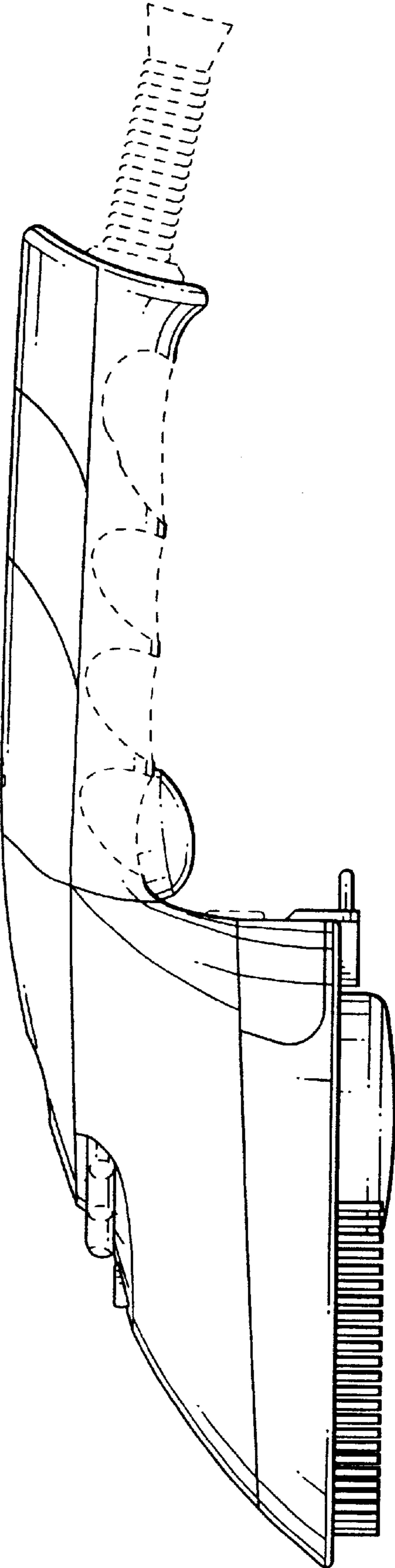


FIG. 10

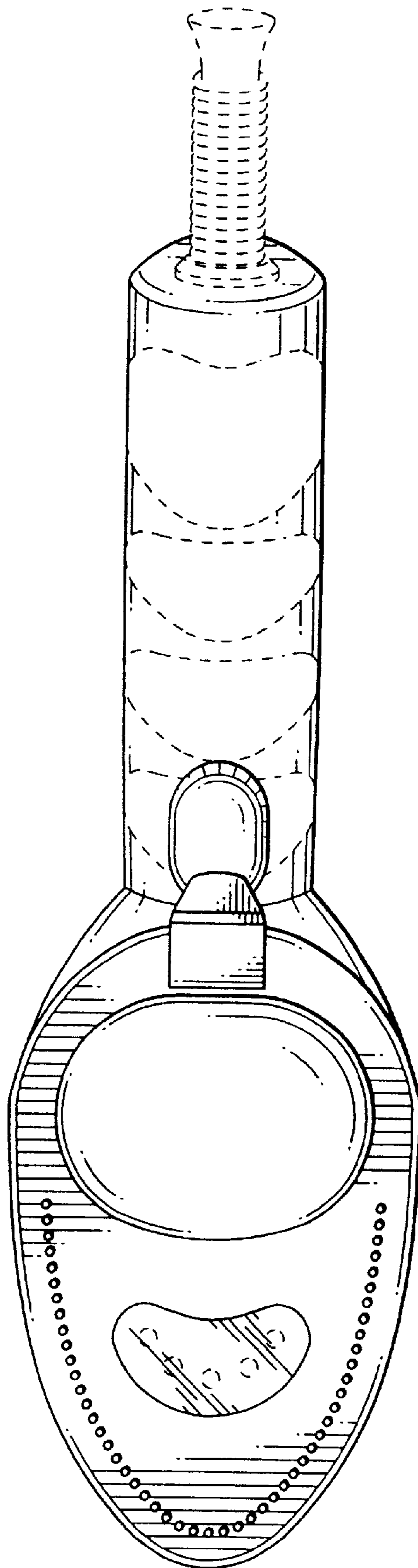


FIG. 11

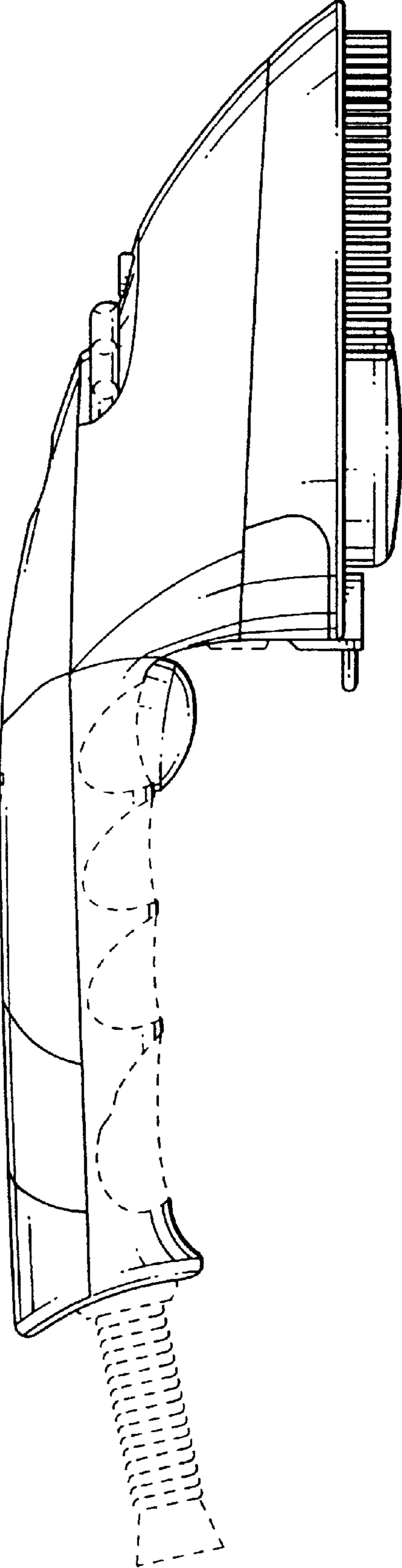


FIG. 12

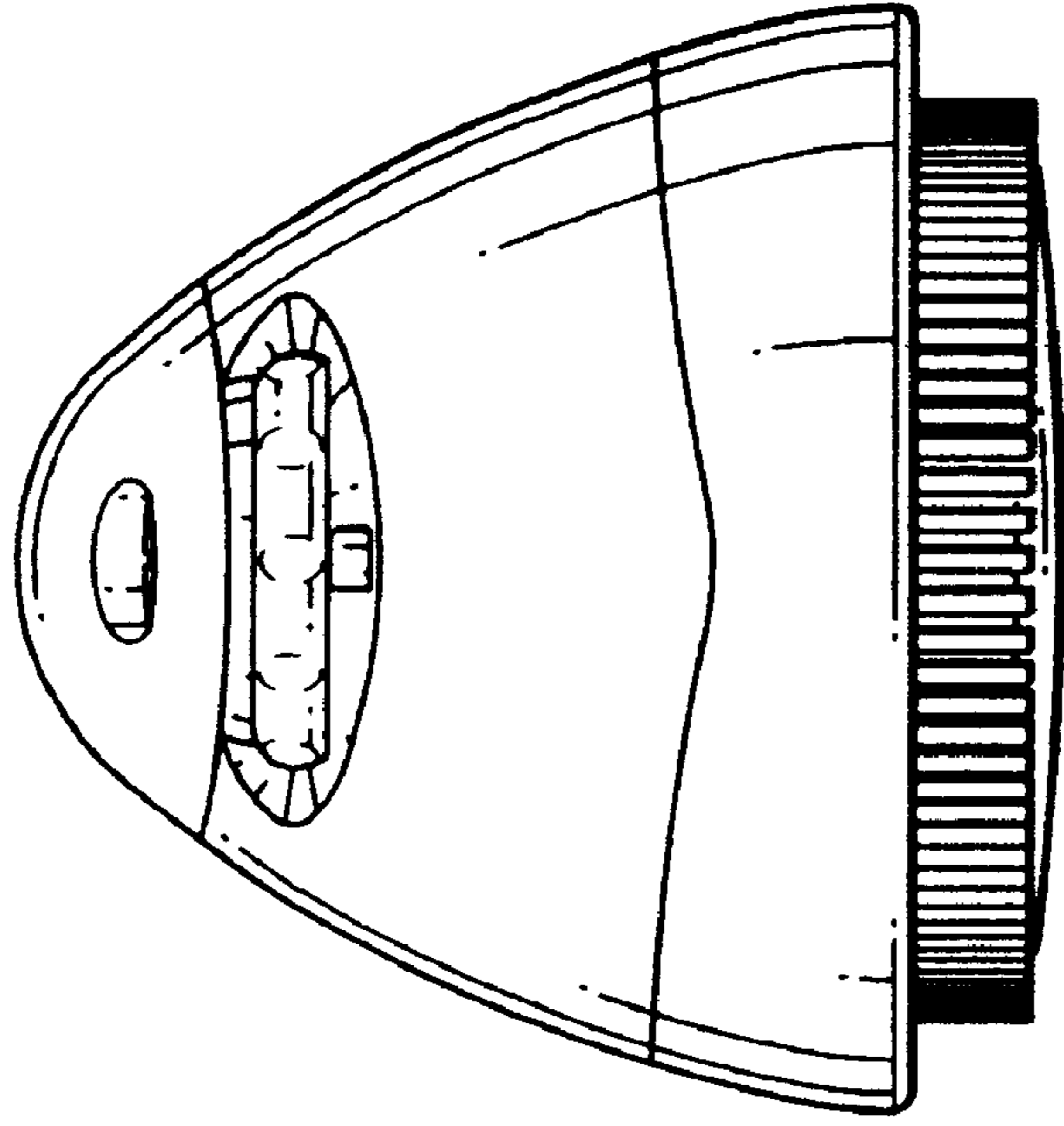


FIG. 13

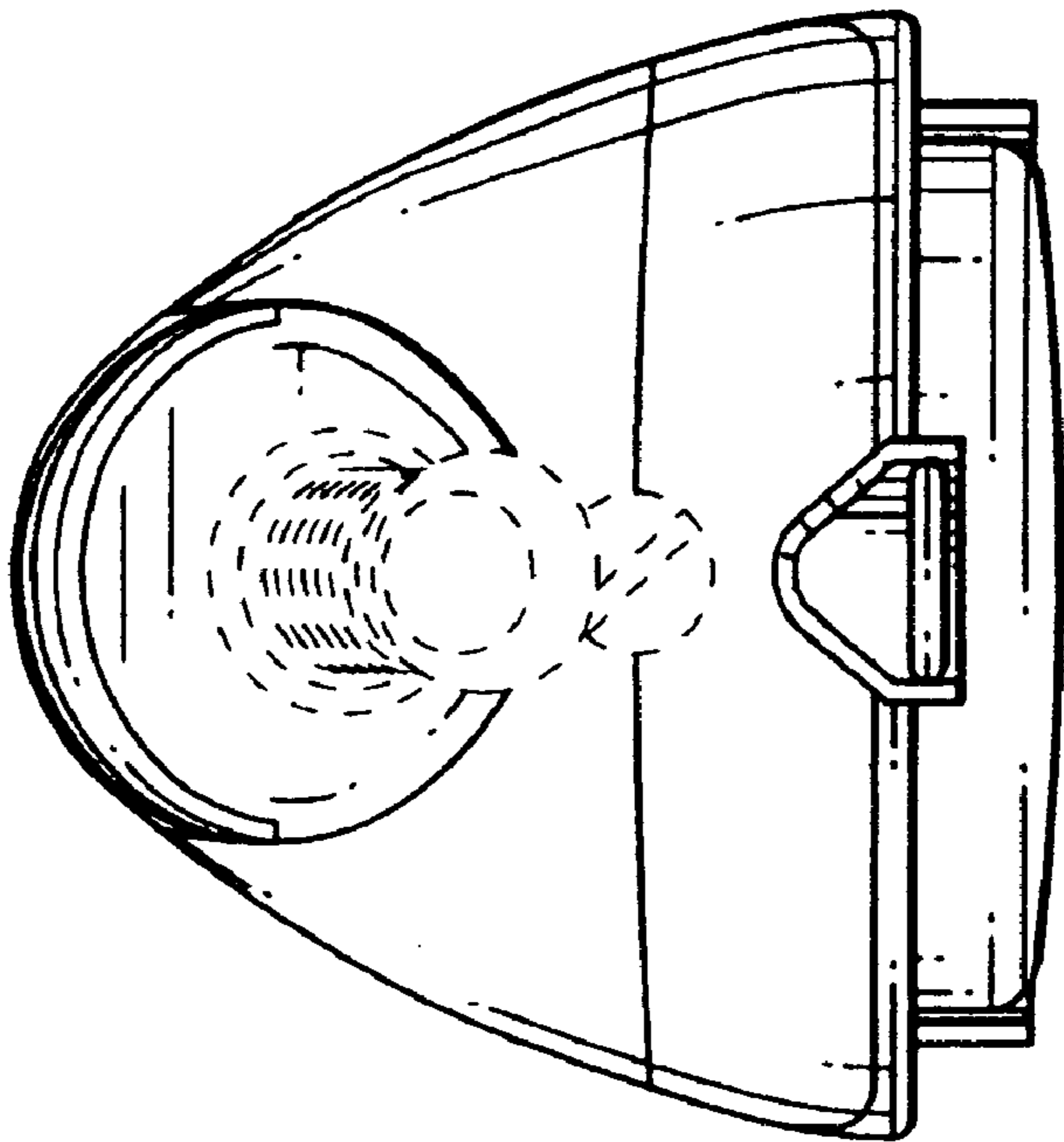


FIG. 14