

US00D541499S

(12) **United States Design Patent** (10) **Patent No.:** **US D541,499 S**  
**Proud et al.** (45) **Date of Patent:** **\*\* Apr. 24, 2007**

(54) **TURBO BRUSH**

(75) Inventors: **Reuben Proud**, Worcester (GB); **Bengt Ivar Anders Ivarsson**, Ma Wan (HK)

(73) Assignee: **Vax Limited**, Worcestershire (GB)

(\*\*) Term: **14 Years**

(21) Appl. No.: **29/240,116**

(22) Filed: **Oct. 7, 2005**

(30) **Foreign Application Priority Data**

Apr. 8, 2005 (EM) ..... 000323787-0004

(51) **LOC (8) Cl.** ..... **15-05**

(52) **U.S. Cl.** ..... **D32/32**

(58) **Field of Classification Search** ..... D32/31-33;  
15/355, 320-322, 339, 350, 352, 361, 398,  
15/327.1, 327.6, 327.7, 414, 415.1-422,  
15/422.1

See application file for complete search history.

(56) **References Cited**

**U.S. PATENT DOCUMENTS**

- D312,904 S \* 12/1990 Worwag ..... D32/32
- D326,938 S \* 6/1992 Burns ..... D32/32
- 5,125,127 A 6/1992 Bach et al.
- 5,135,552 A 8/1992 Weistra
- 5,351,362 A 10/1994 Kramer et al.
- 5,500,979 A 3/1996 Wörwag
- 5,960,514 A 10/1999 Miller et al.
- 6,350,292 B1 2/2002 Lee et al.
- D456,967 S \* 5/2002 Santiago ..... D32/32
- 6,572,668 B1 6/2003 An et al.
- D487,827 S \* 3/2004 Iike et al. .... D32/32
- D487,828 S \* 3/2004 Iike et al. .... D32/32
- D507,854 S \* 7/2005 Kim ..... D32/32
- D518,932 S \* 4/2006 Maruyama et al. .... D32/32
- D524,002 S \* 6/2006 Worwag ..... D32/32
- 2002/0011053 A1 1/2002 Oh
- 2002/0062632 A1 5/2002 Oh
- 2002/0088078 A1 7/2002 Oh et al.

- 2002/0120998 A1 9/2002 Dubos et al.
- 2002/0124538 A1 9/2002 Oh et al.
- 2003/0106182 A1 6/2003 Lee
- 2003/0106183 A1 6/2003 Frederick et al.
- 2003/0145427 A1 \* 8/2003 Murphy et al. .... 15/415.1

**FOREIGN PATENT DOCUMENTS**

- DE 38 34 686 C1 12/1989
- DE 94 20 797.6 U1 7/1995
- DE 299 00 460 U1 8/2000
- DE 199 14 574 C1 11/2000
- DE 101 10 771 A1 9/2002
- EP 1 386 573 A2 2/2004
- FR 2 425 227 12/1979
- WO WO 98/35602 A1 8/1998
- WO WO 2004/049887 A1 6/2004
- WO WO 2004/049890 A1 6/2004
- WO WO 2004/052166 A1 6/2004

\* cited by examiner

*Primary Examiner*—Ruth McInroy

(74) *Attorney, Agent, or Firm*—Brinks Hofer Gilson & Lione

(57) **CLAIM**

We claim the ornamental design for a turbo brush, as shown and described.

**DESCRIPTION**

FIG. 1 is a perspective view of a turbo brush of the present invention.

FIG. 2 is a right side view thereof. The left side view is a mirror image of FIG. 2.

FIG. 3 is a front side view thereof.

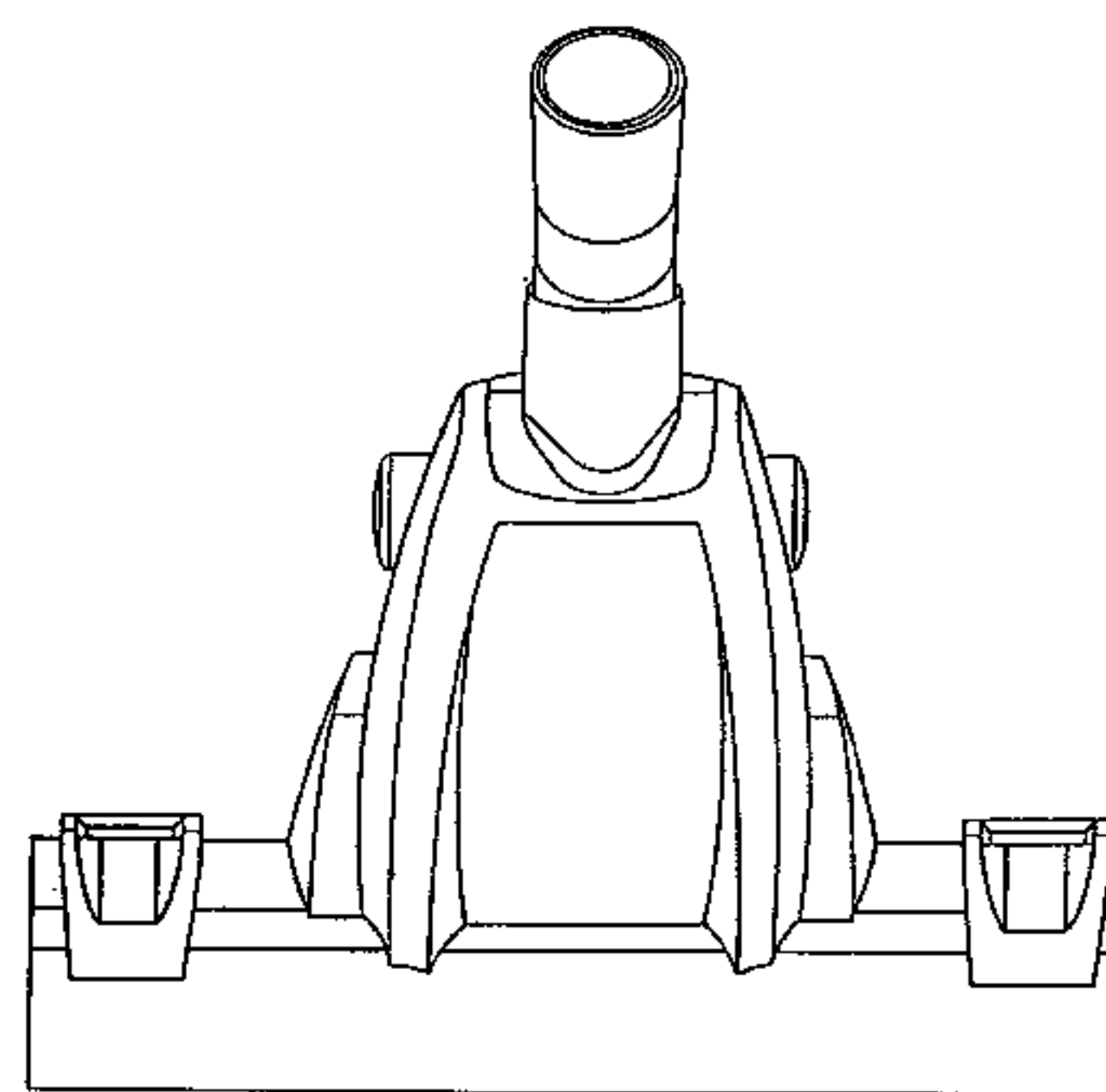
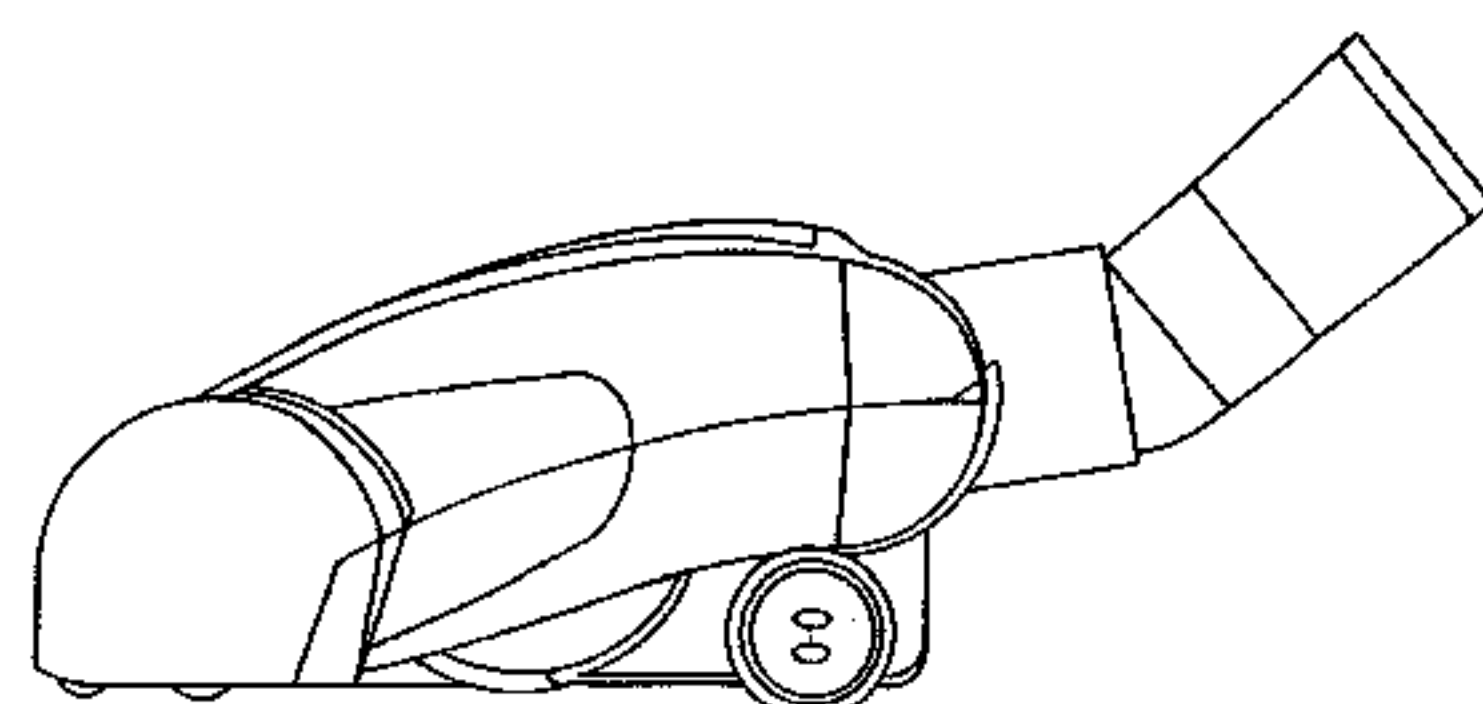
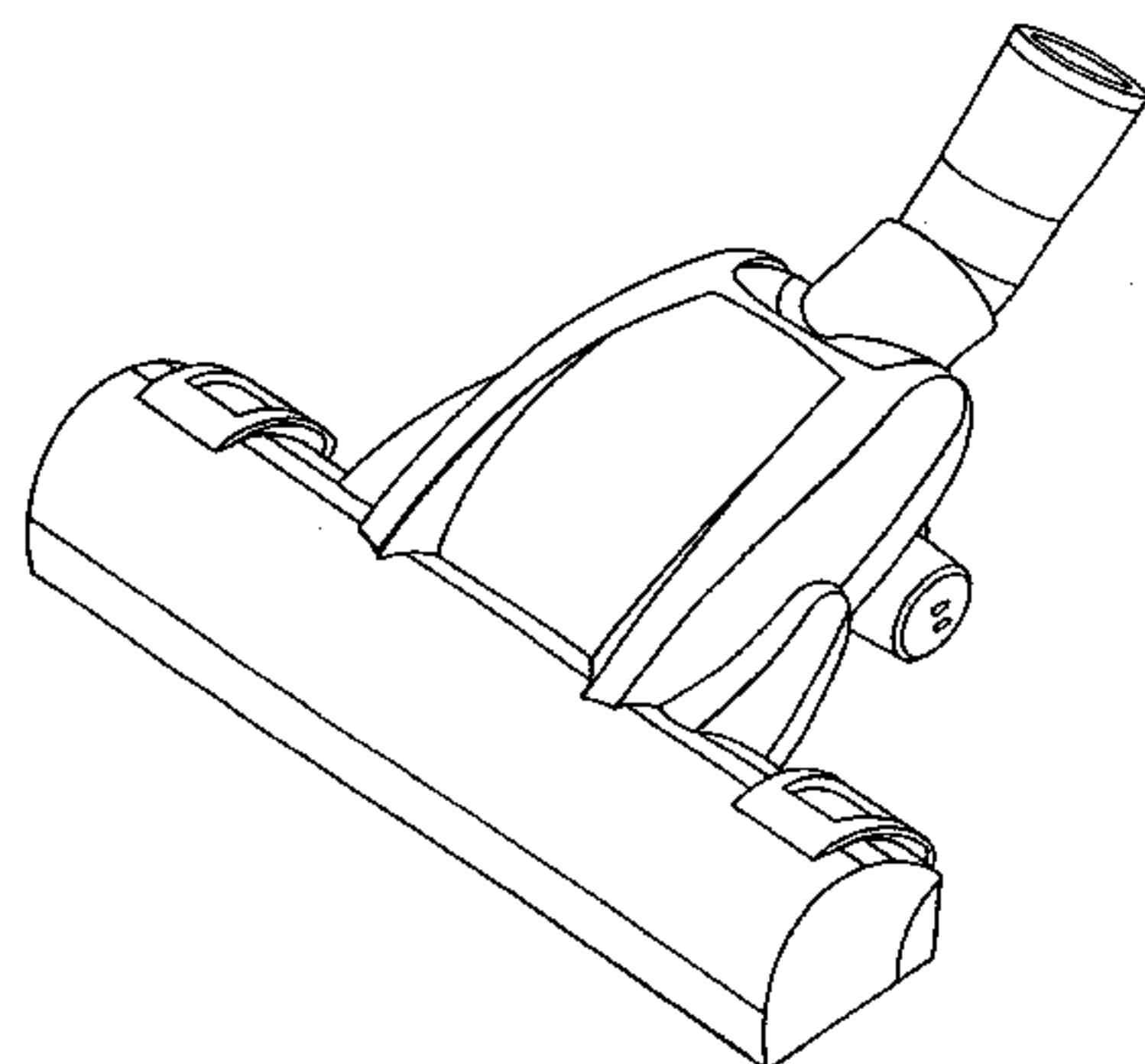
FIG. 4 is a back side view thereof.

FIG. 5 is a bottom view thereof; and,

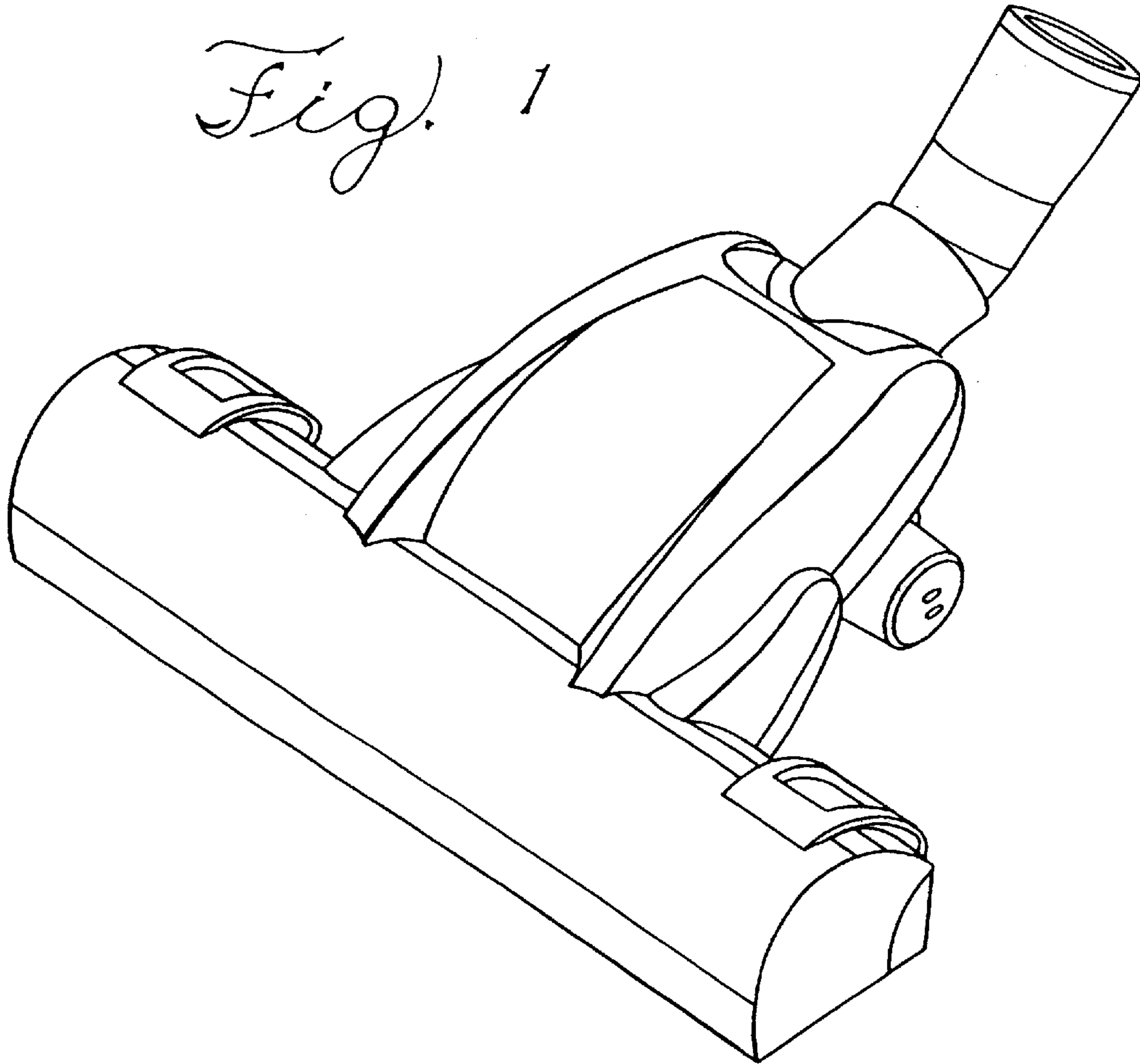
FIG. 6 is a top view thereof.

The ornamental design which is claimed is shown in solid lines in the drawings. Any broken lines in the drawings are for illustrative purposes only and form no part of the claimed design.

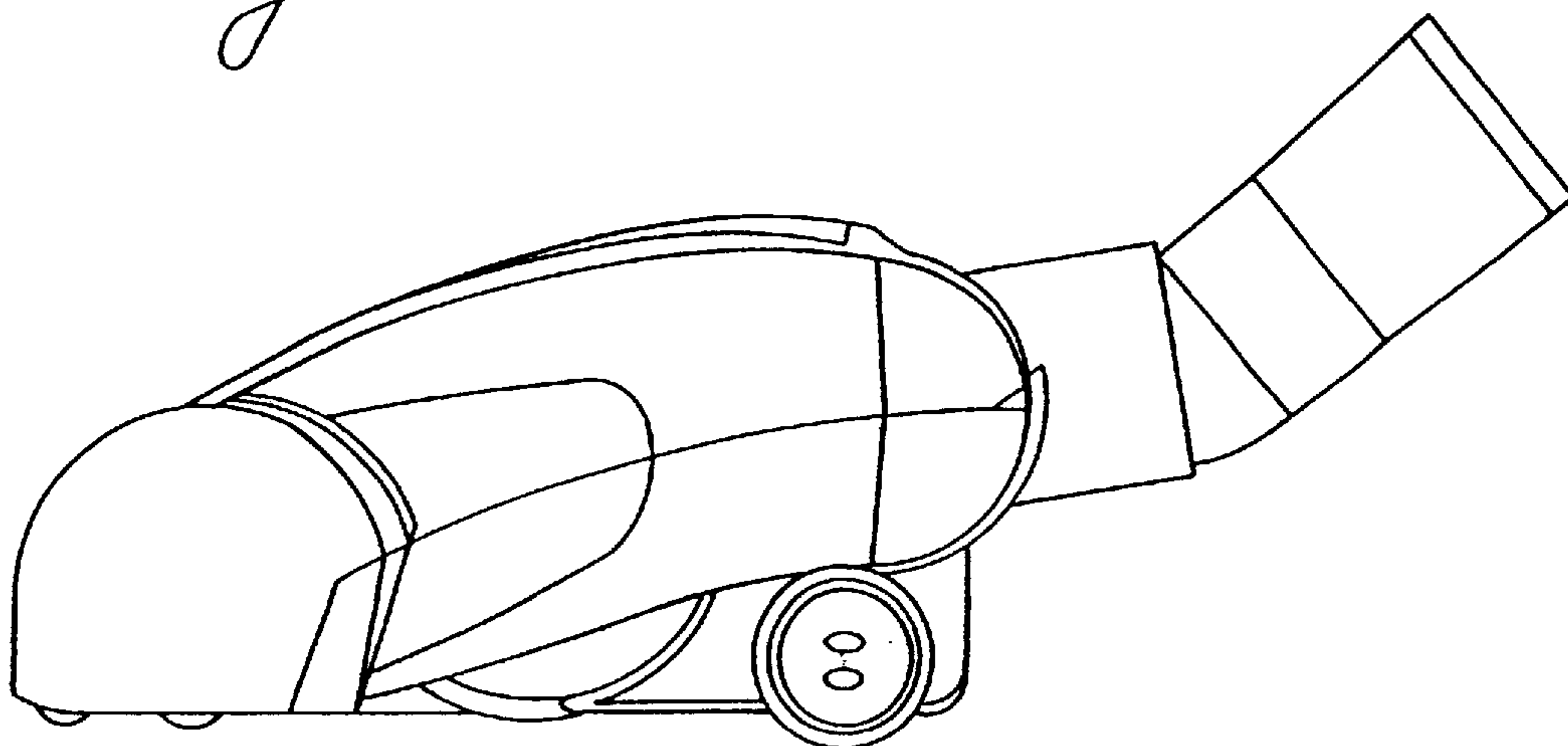
**1 Claim, 3 Drawing Sheets**

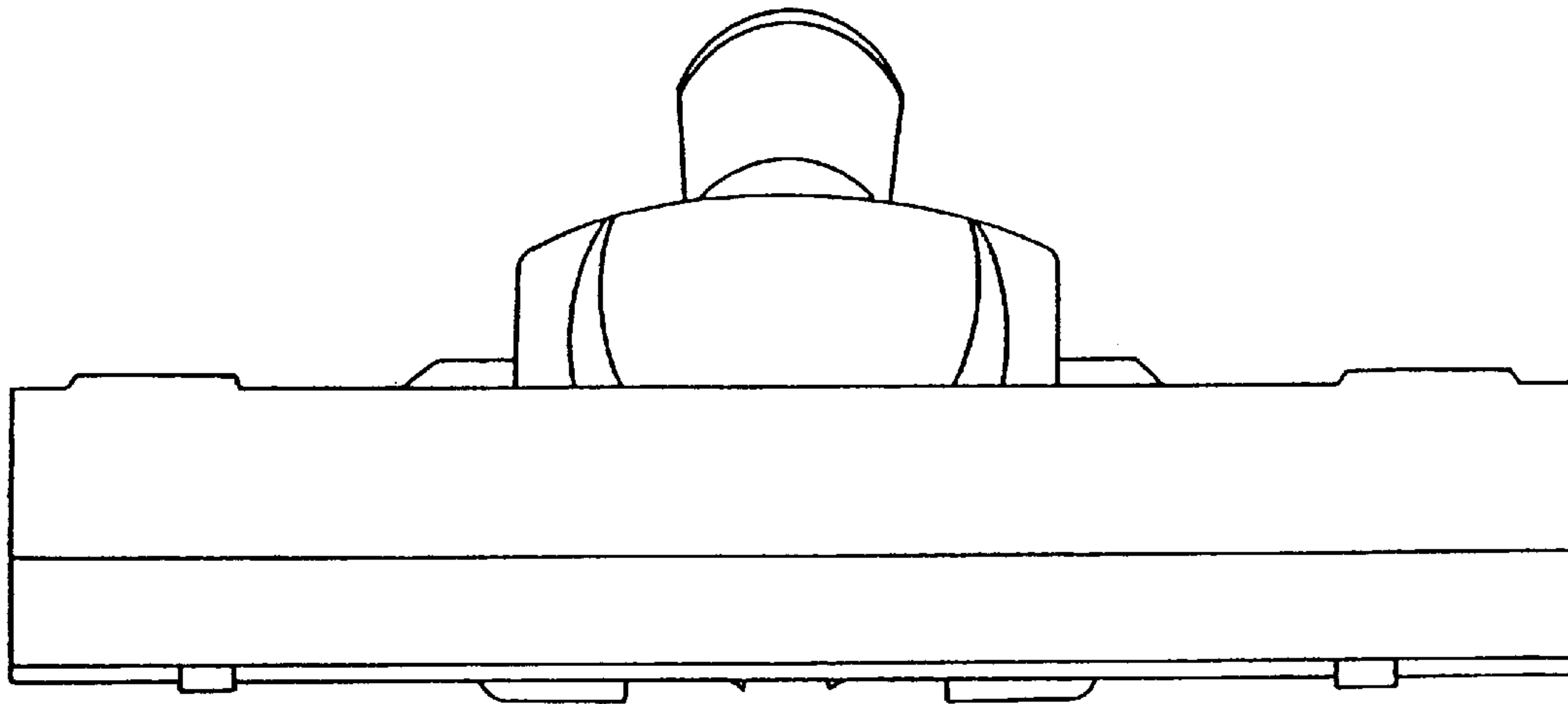


*Fig. 1*

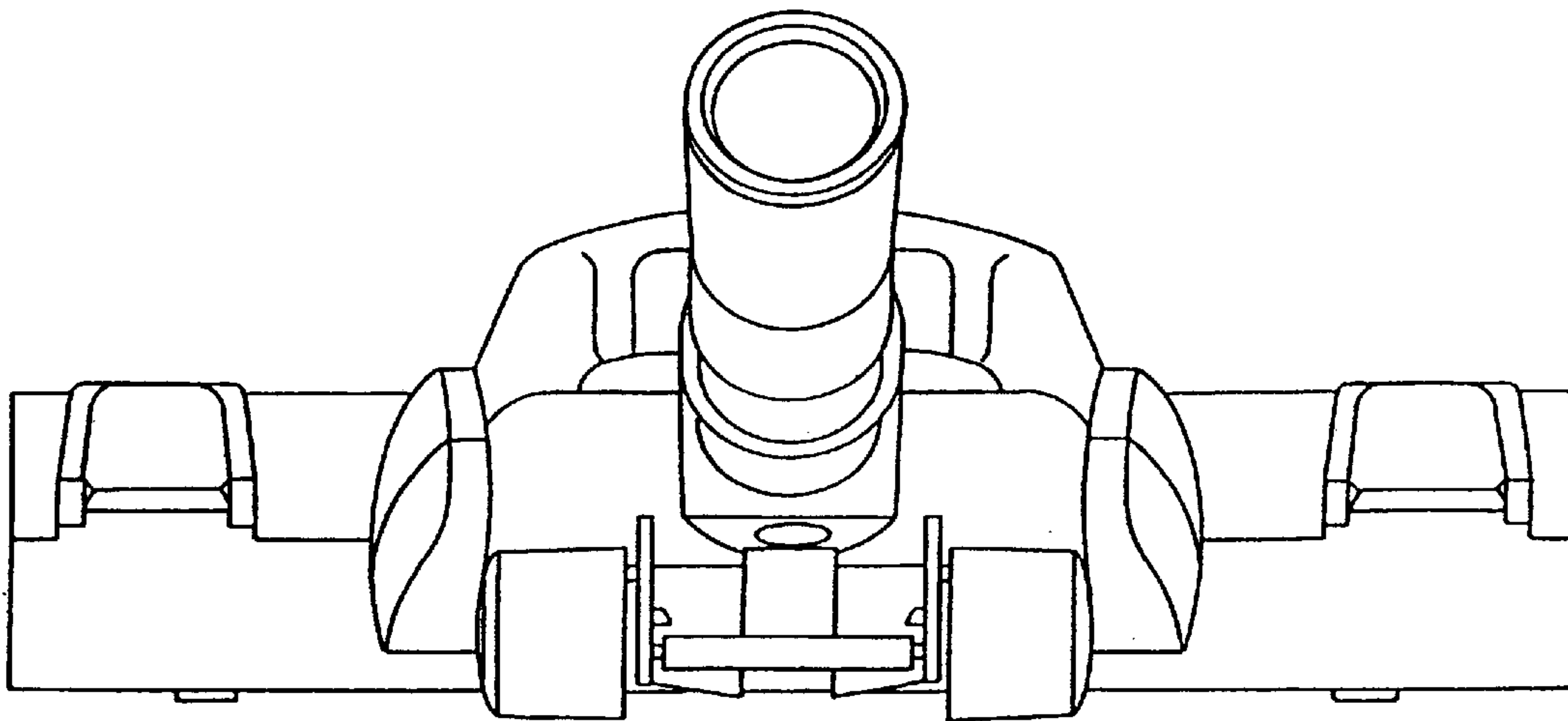


*Fig. 2*



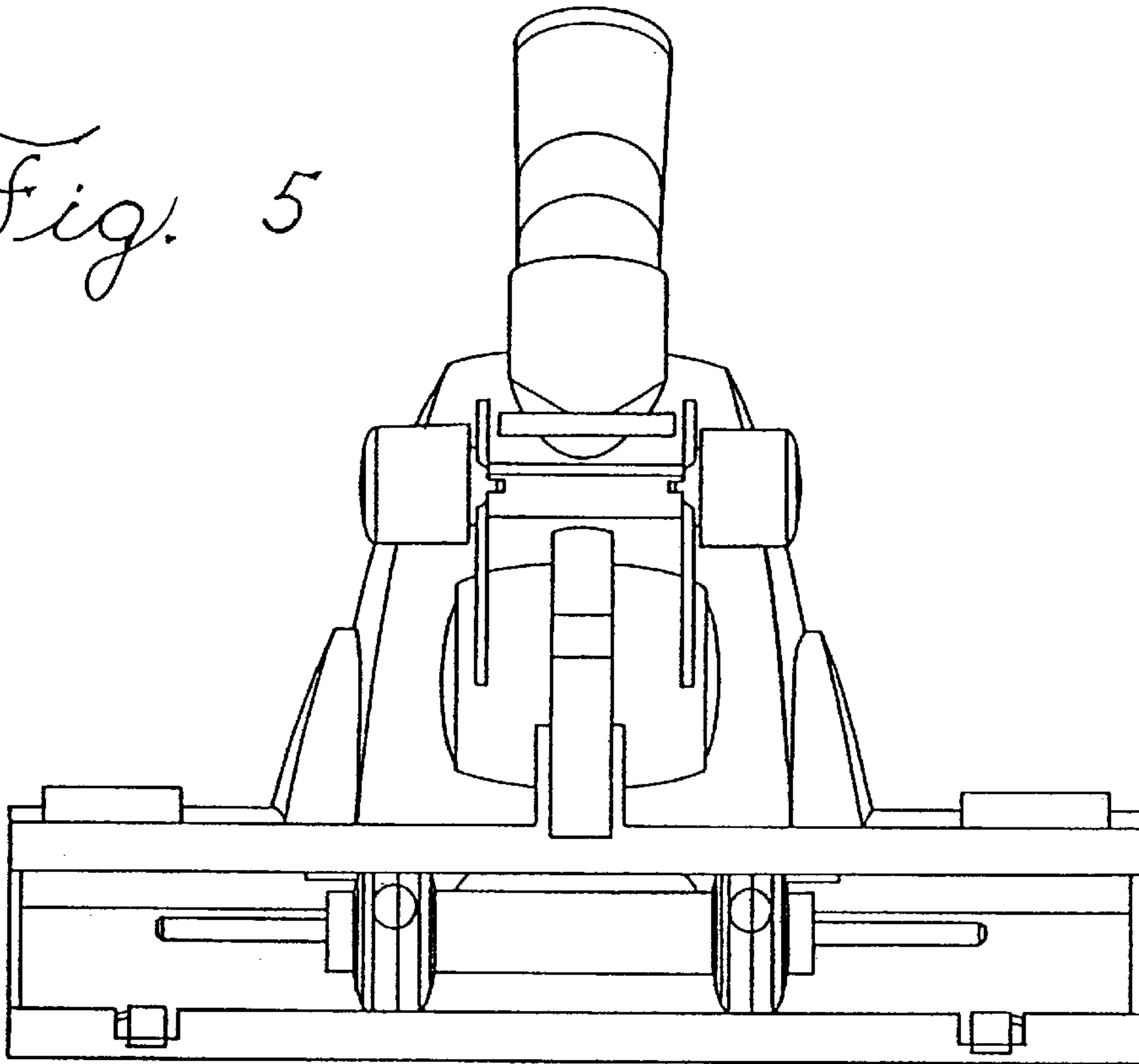


*Fig. 3*



*Fig. 4*

*Fig. 5*



*Fig. 6*

