

US00D541496S

(12) **United States Design Patent**
Bakker

(10) **Patent No.:** **US D541,496 S**

(45) **Date of Patent:** **** Apr. 24, 2007**

(54) **HAND POLISHER**

(75) Inventor: **Rients Mathijs Bakker**, Shanghai (CN)

(73) Assignee: **Jinding Group Co., Ltd.**, Shanghai (CN)

(**) Term: **14 Years**

(21) Appl. No.: **29/199,393**

(22) Filed: **Feb. 13, 2004**

(51) **LOC (8) Cl.** **15-05**

(52) **U.S. Cl.** **D32/19**

(58) **Field of Classification Search** D32/1,
D32/15, 16, 19, 20, 25; 15/23, 28, 32, 34,
15/21.1, 21.2, 22.2, 97.1; D4/102, 100, 127,
D4/129; D8/61, 62, 67, 69, 70; 451/353,
451/357, 358, 359

See application file for complete search history.

(56) **References Cited**

U.S. PATENT DOCUMENTS

D312,714 S	12/1990	Simonelli et al.	
D332,734 S	1/1993	Fushiya et al.	
D336,229 S	6/1993	Bunyea	
D345,089 S	* 3/1994	Kikuchi et al.	D8/62
5,496,207 A	3/1996	Hornung et al.	
5,564,969 A	10/1996	Tsang	
D379,749 S	6/1997	Gildersleeve et al.	
D380,069 S	6/1997	McCracken	
D380,950 S	7/1997	Gildersleeve et al.	
D386,376 S	* 11/1997	Kaneko et al.	D8/62
D387,515 S	12/1997	Nottingham et al.	
5,709,596 A	1/1998	Alexander et al.	
5,713,758 A	* 2/1998	Goodin et al.	439/459
D392,778 S	3/1998	McCracken	
D392,861 S	* 3/1998	Gildersleeve et al.	D8/62
D411,424 S	6/1999	Saito	
D414,666 S	10/1999	Cortes	
D416,112 S	11/1999	Holliday et al.	
D418,263 S	12/1999	Rees	
D418,264 S	12/1999	Rees	
D418,642 S	1/2000	Rees	

6,120,362 A	9/2000	Etter et al.
D431,437 S	10/2000	Niwa et al.
D432,744 S	10/2000	Schuda et al.
D434,296 S	11/2000	Ogasawara
D447,397 S	9/2001	Netzler
6,386,961 B1	5/2002	Cureton
6,394,884 B1	5/2002	Wuensch
6,454,640 B1	9/2002	Siedler et al.
D465,074 S	10/2002	McCracken et al.
D466,776 S	12/2002	Hsiao

(Continued)

OTHER PUBLICATIONS

www.eastwoodco.com.
www.brookstone.com.
www.topoftheline.com.
www.canadiantire.ca.

Primary Examiner—Louis S. Zarfaz
Assistant Examiner—Kathleen Sims
(74) *Attorney, Agent, or Firm*—Alston & Bird LLP

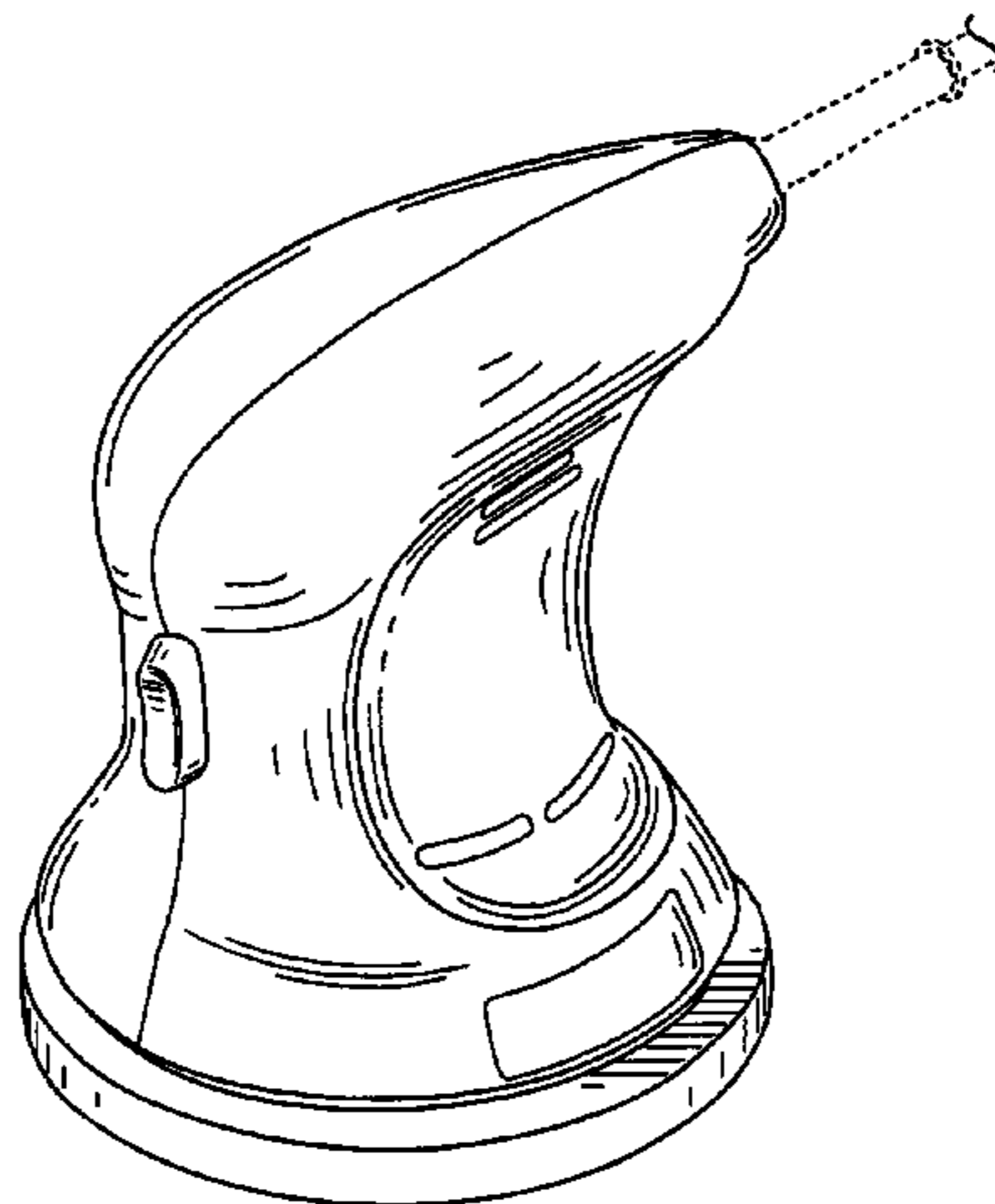
(57) **CLAIM**

The ornamental design for a hand polisher, as shown and described.

DESCRIPTION

FIG. 1 is a perspective view of a hand polisher according to the present design;
FIG. 2 is a left side elevation view of the hand polisher shown in FIG. 1;
FIG. 3 is a front elevation view of the hand polisher shown in FIG. 1;
FIG. 4 is a rear elevation view of the hand polisher shown in FIG. 1;
FIG. 5 is a top plan view of the hand polisher shown in FIG. 1; and,
FIG. 6 is a bottom plan view of the hand polisher shown in FIG. 1.
The broken lines shown herein are for illustrative purposes only and form no part of the claimed design.

1 Claim, 6 Drawing Sheets



US D541,496 S

Page 2

U.S. PATENT DOCUMENTS

D468,177 S	1/2003	Goto		D475,908 S	6/2003	Boyer	
D468,178 S	*	1/2003	Wright et al. D8/62	D476,119 S	6/2003	Boyer et al.	
D468,179 S		1/2003	Hayakawa et al.	D478,488 S	8/2003	Bruno et al.	
D468,609 S		1/2003	Goto	D479,452 S	9/2003	Cho	
D469,933 S		2/2003	Liang-Ming	D479,969 S	9/2003	Robson et al.	
D470,278 S		2/2003	Liang-Ming	D489,151 S	*	4/2004	Krieger et al. D32/15
D471,681 S		3/2003	Krieger et al.	D509,417 S	*	9/2005	Wikle et al. D8/62
D475,263 S		6/2003	Andriolo	2004/0198202 A1	*	10/2004	Leonard 451/357
D475,818 S		6/2003	Krieger et al.	2005/0153637 A1	*	7/2005	Janson 451/359

* cited by examiner

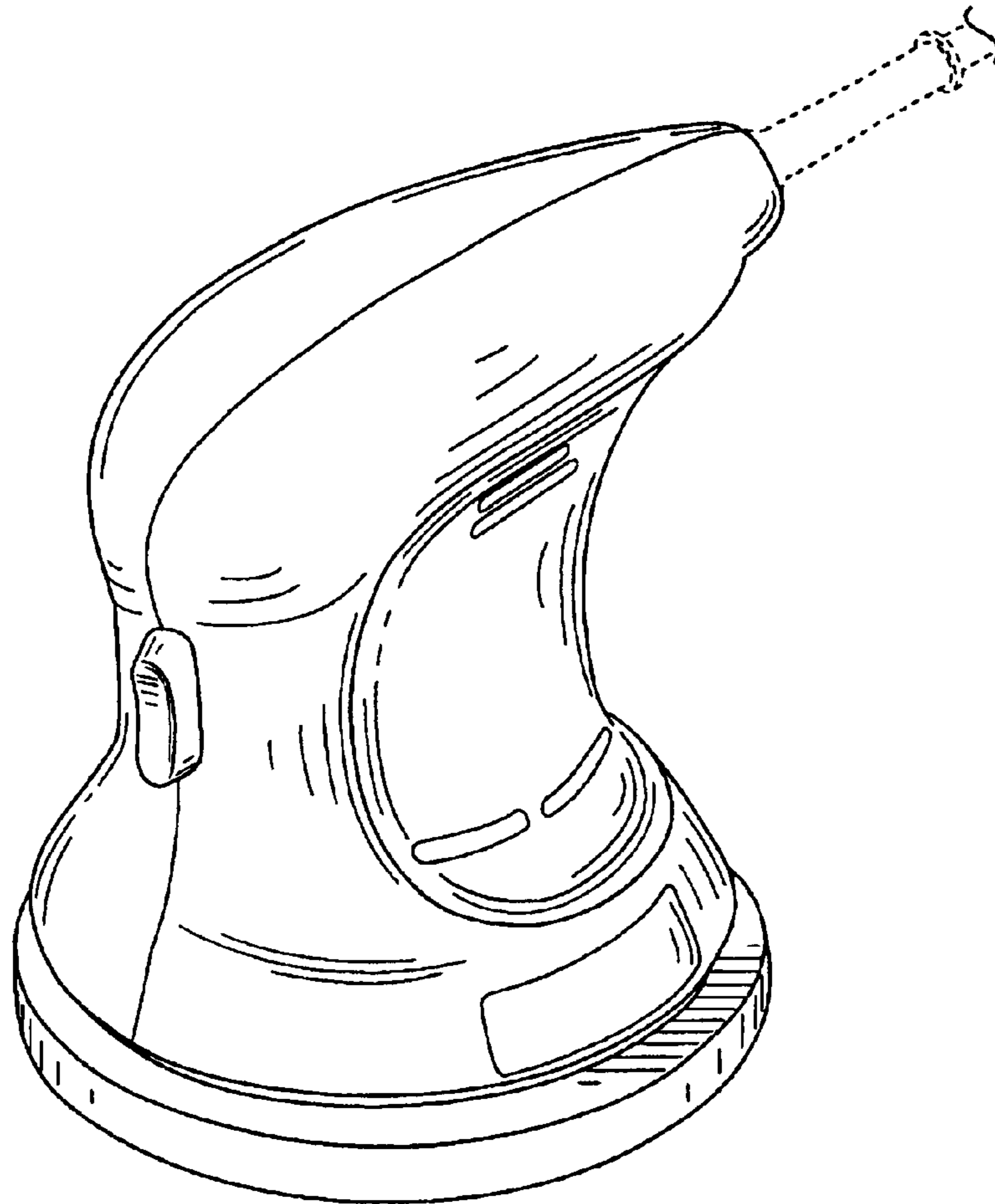


FIG. 1

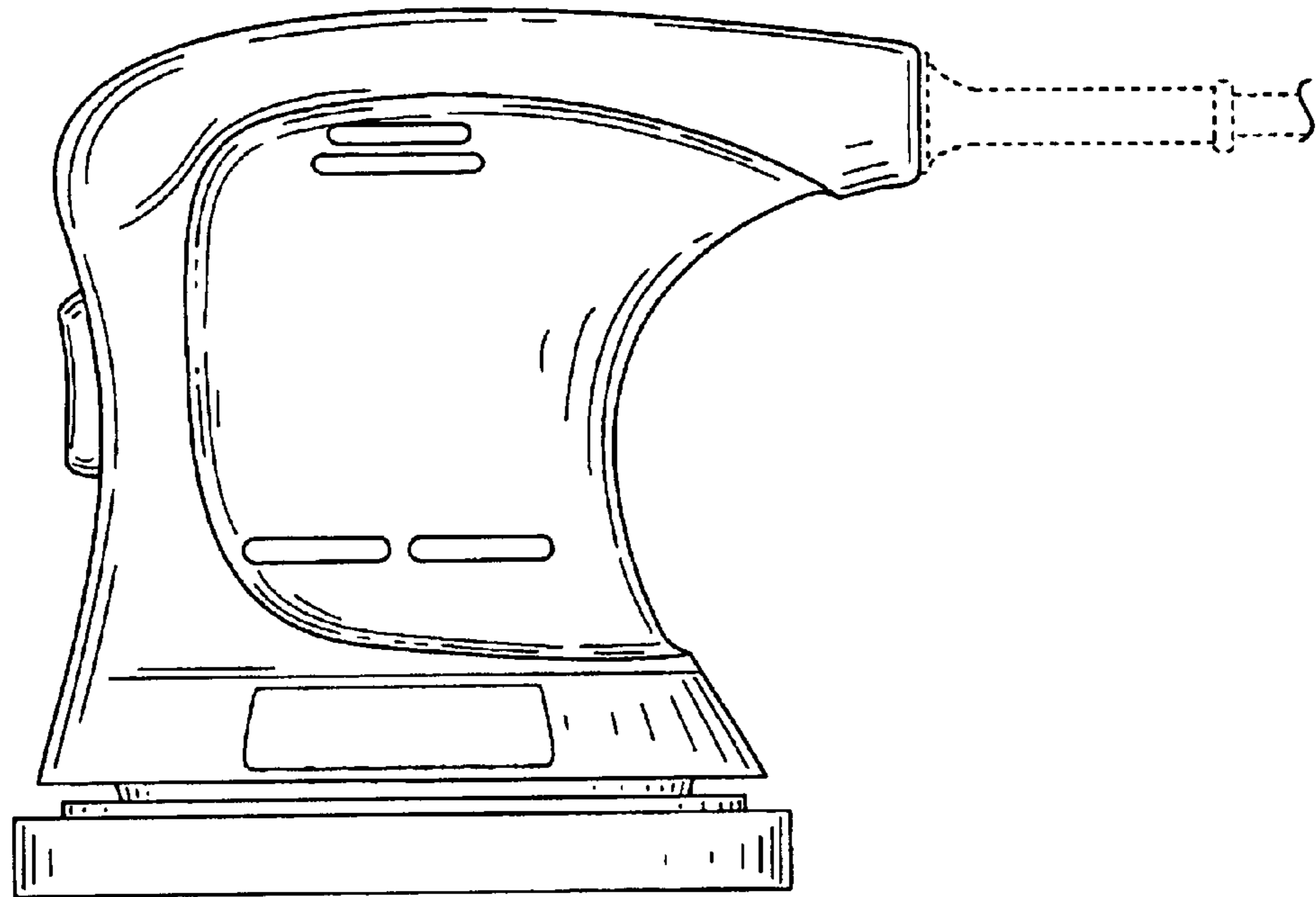


FIG. 2

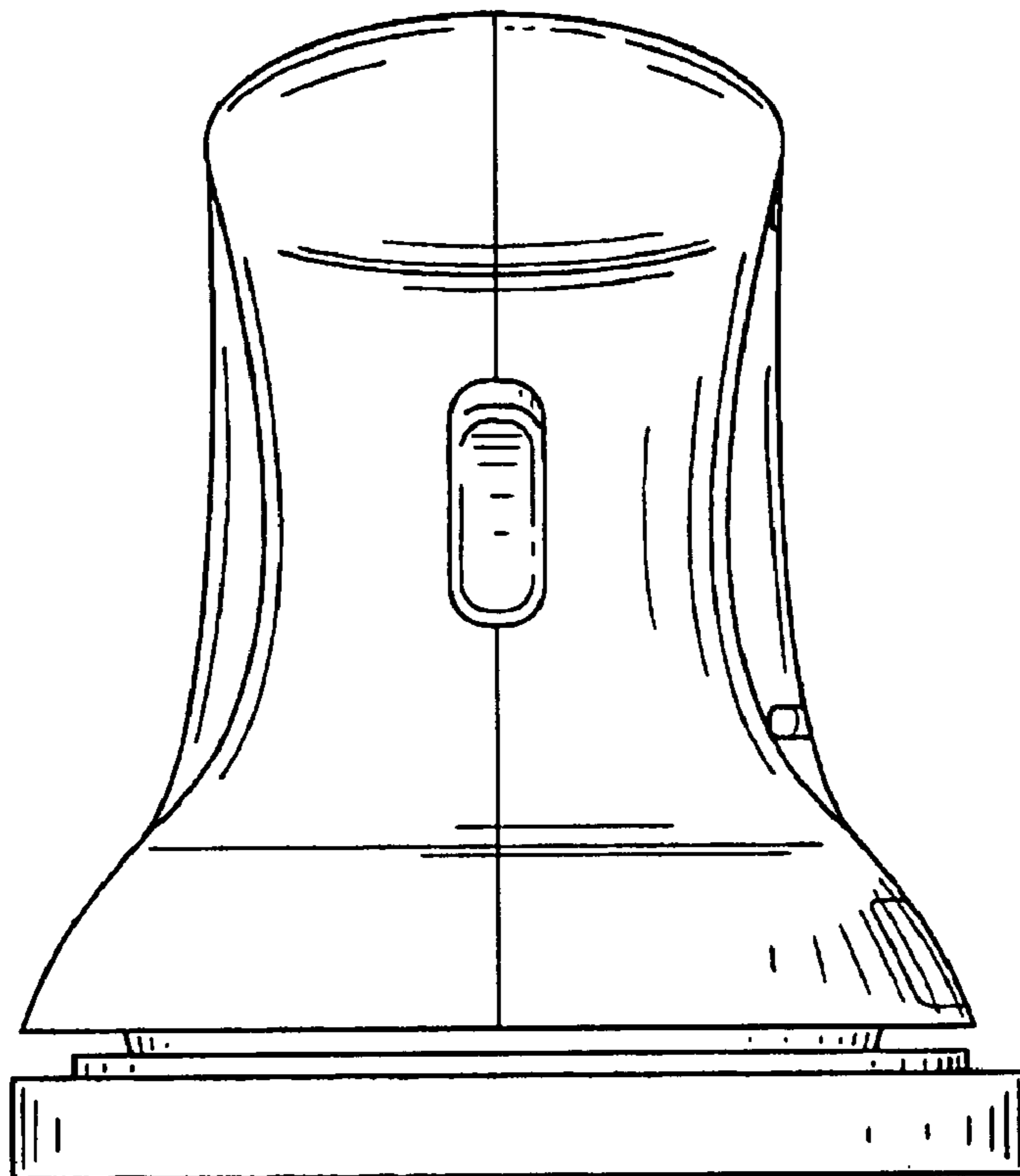


FIG. 3

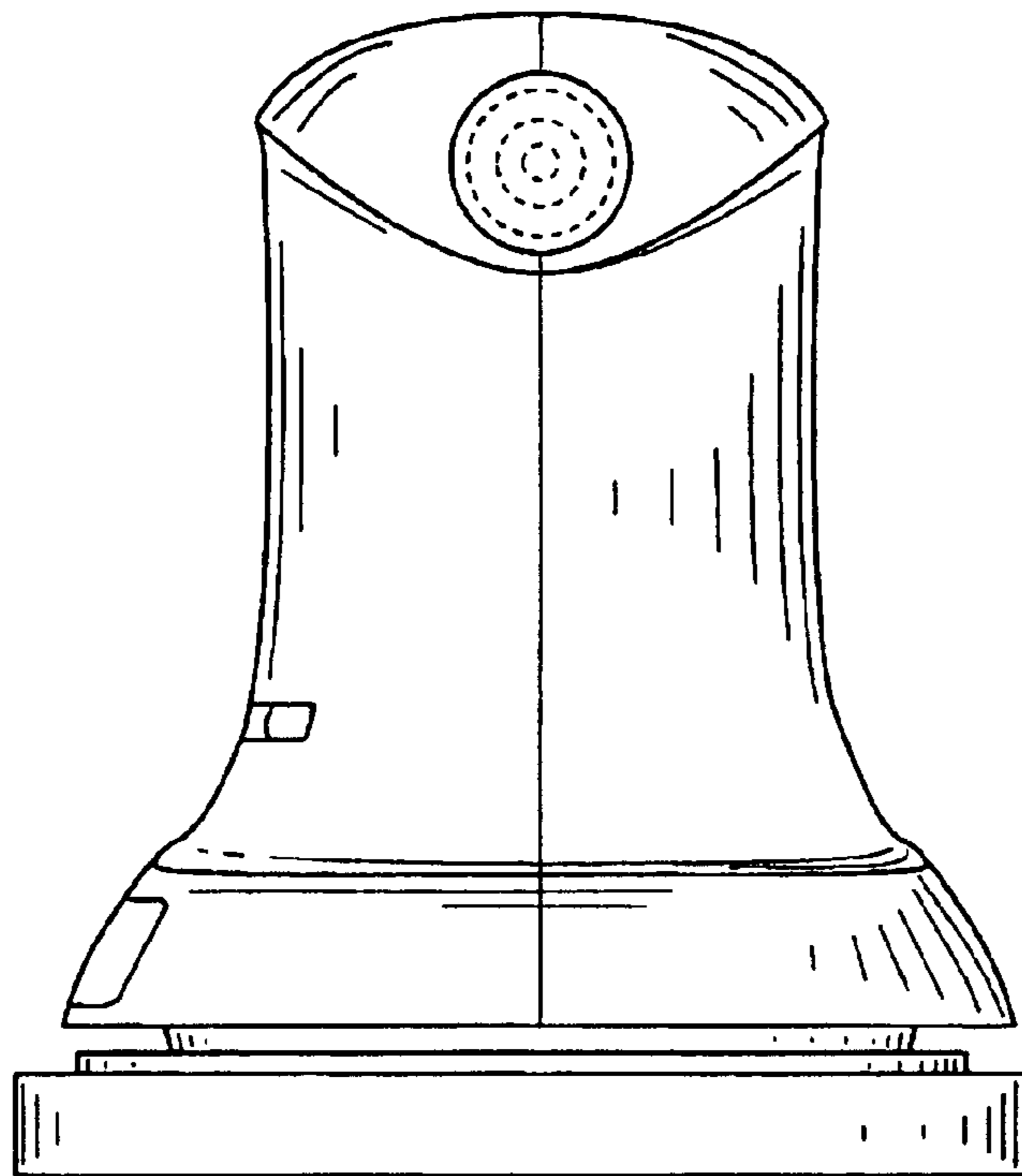


FIG. 4

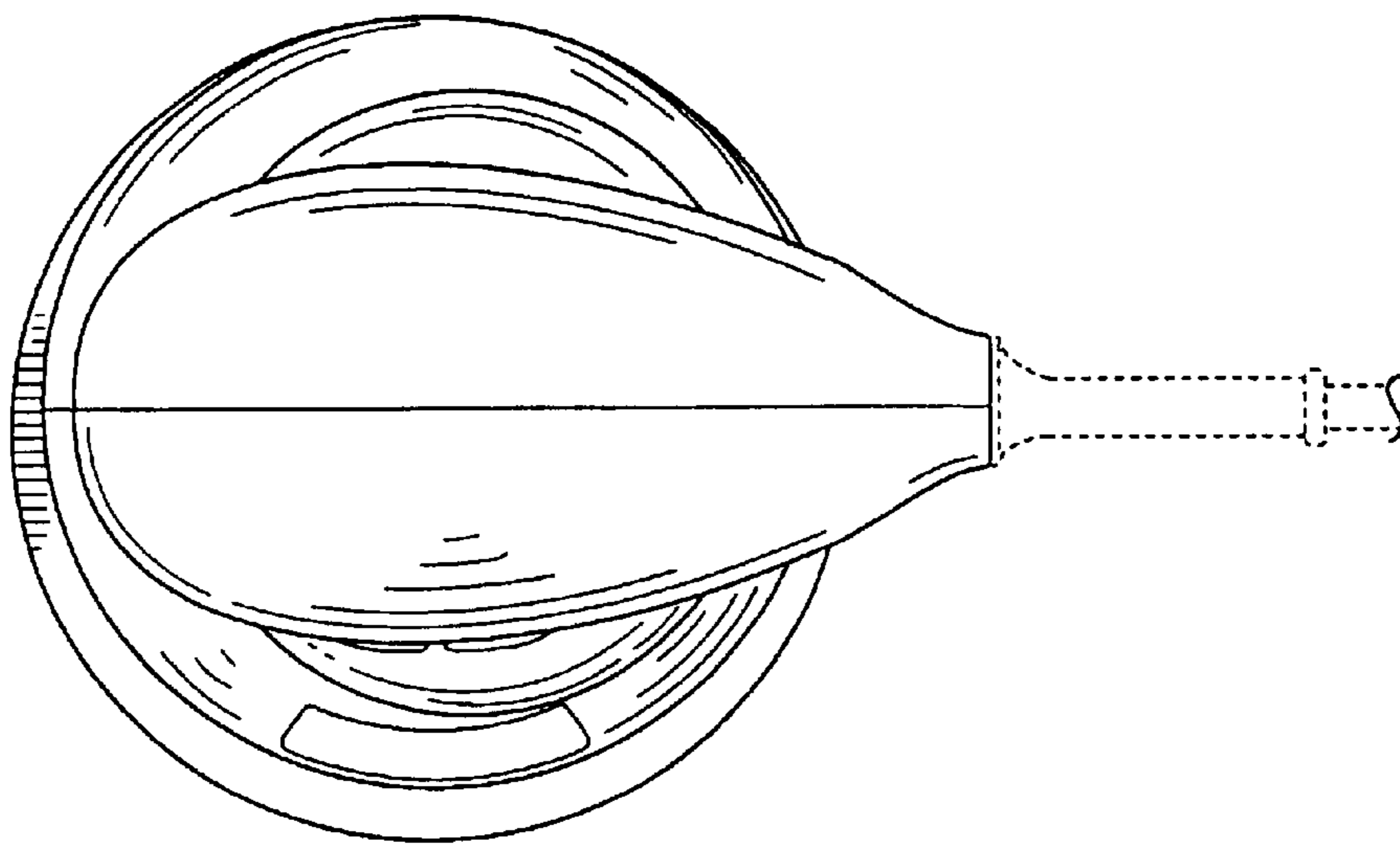


FIG. 5

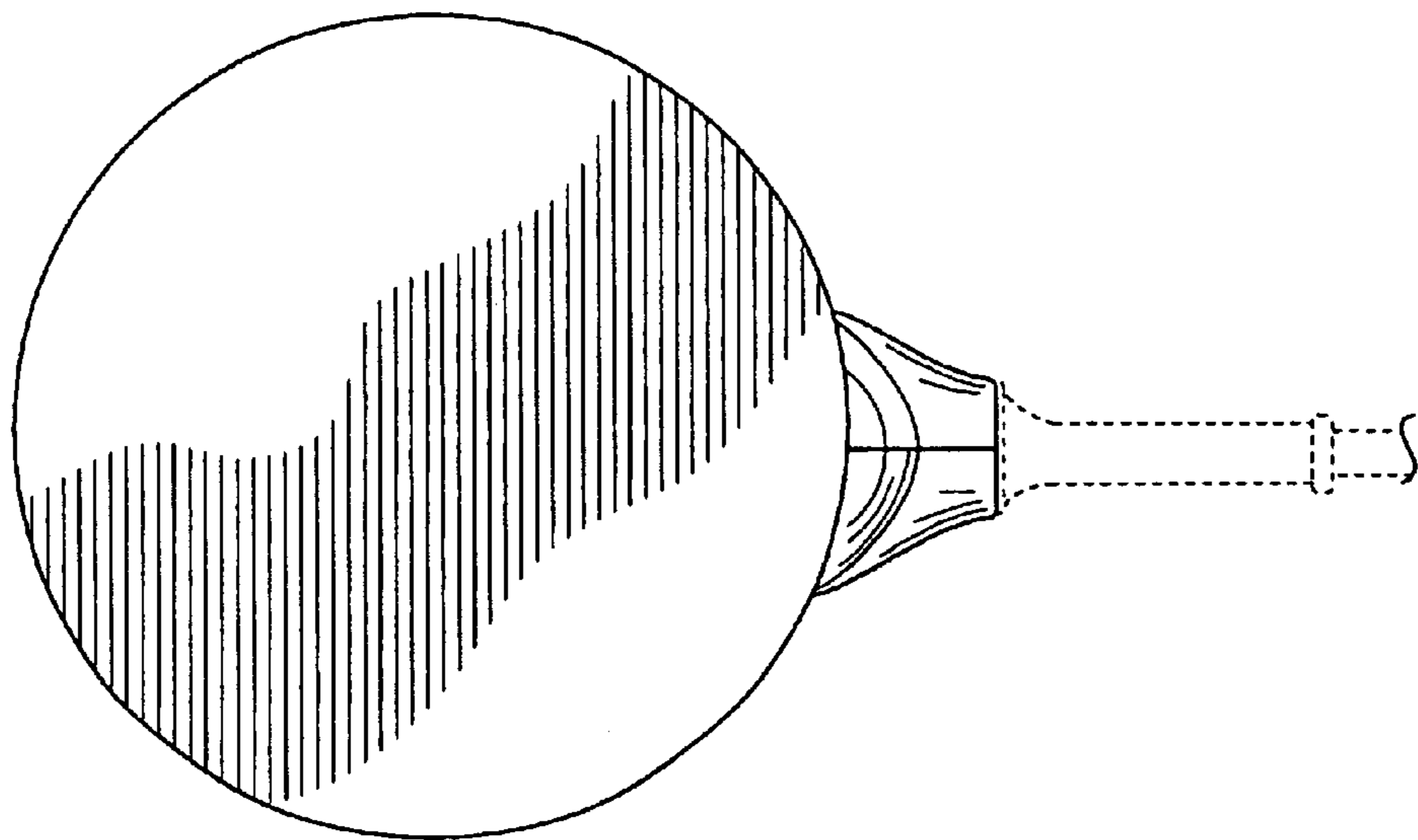


FIG. 6