

US00D541495S

(12) **United States Design Patent**
DiPasquale et al.

(10) **Patent No.:** **US D541,495 S**
(45) **Date of Patent:** **** Apr. 24, 2007**

(54) **VACUUM CLEANER**

(75) Inventors: **Kathy E. DiPasquale**, Baltimore, MD (US); **James B. Watson**, Fallston, MD (US); **Daniel N. Lopano**, Towson, MD (US)

(73) Assignee: **Black & Decker Inc.**, Newark, DE (US)

(**) Term: **14 Years**

(21) Appl. No.: **29/224,535**

(22) Filed: **Mar. 3, 2005**

(51) **LOC (8) Cl.** **15-05**

(52) **U.S. Cl.** **D32/18**

(58) **Field of Classification Search** D32/15-18, D32/21, 22-24, 31; 15/314, 324, 344, 329, 15/347, 320-321, 412, DIG. 1, 353-354, 15/301, 385, 93.1, 405, 330, 415.1, 327.5, 15/323

See application file for complete search history.

(56) **References Cited**

U.S. PATENT DOCUMENTS

D105,129 S	*	6/1937	Morgan	D32/18
D303,170 S	*	8/1989	Hirano	D32/18
D315,816 S	*	3/1991	Ferrari et al.	D32/18
D370,319 S	*	5/1996	Bass et al.	D32/18
D371,649 S	*	7/1996	Neshat et al.	D32/18

D371,651 S	*	7/1996	Bass et al.	D32/18
D376,228 S	*	12/1996	Bass et al.	D32/18
D379,691 S	*	6/1997	Moine et al.	D32/18
5,787,546 A	*	8/1998	Bass et al.	15/344
D422,763 S	*	4/2000	Tsuda	D32/21
D452,594 S	*	12/2001	Rosa	D32/21
D468,496 S	*	1/2003	Smith	D32/17
6,968,593 B1	*	11/2005	Lenkiewicz et al.	15/320

* cited by examiner

Primary Examiner—Ruth McInroy

(74) *Attorney, Agent, or Firm*—Scott B. Markow

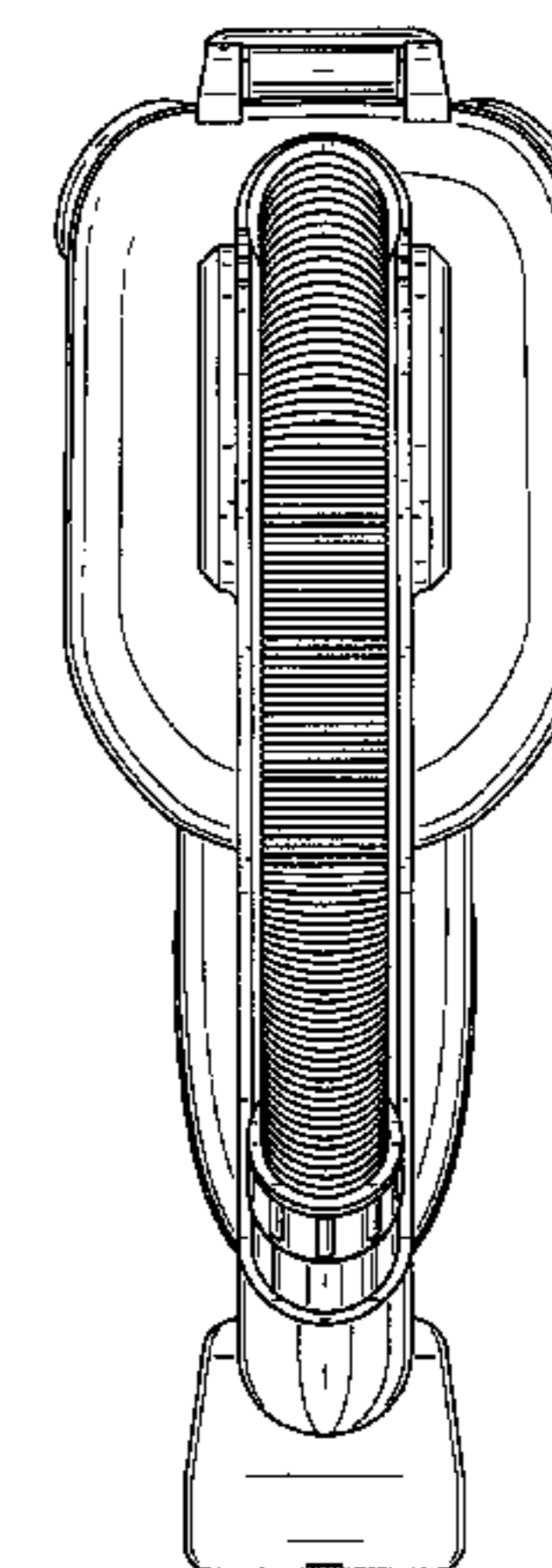
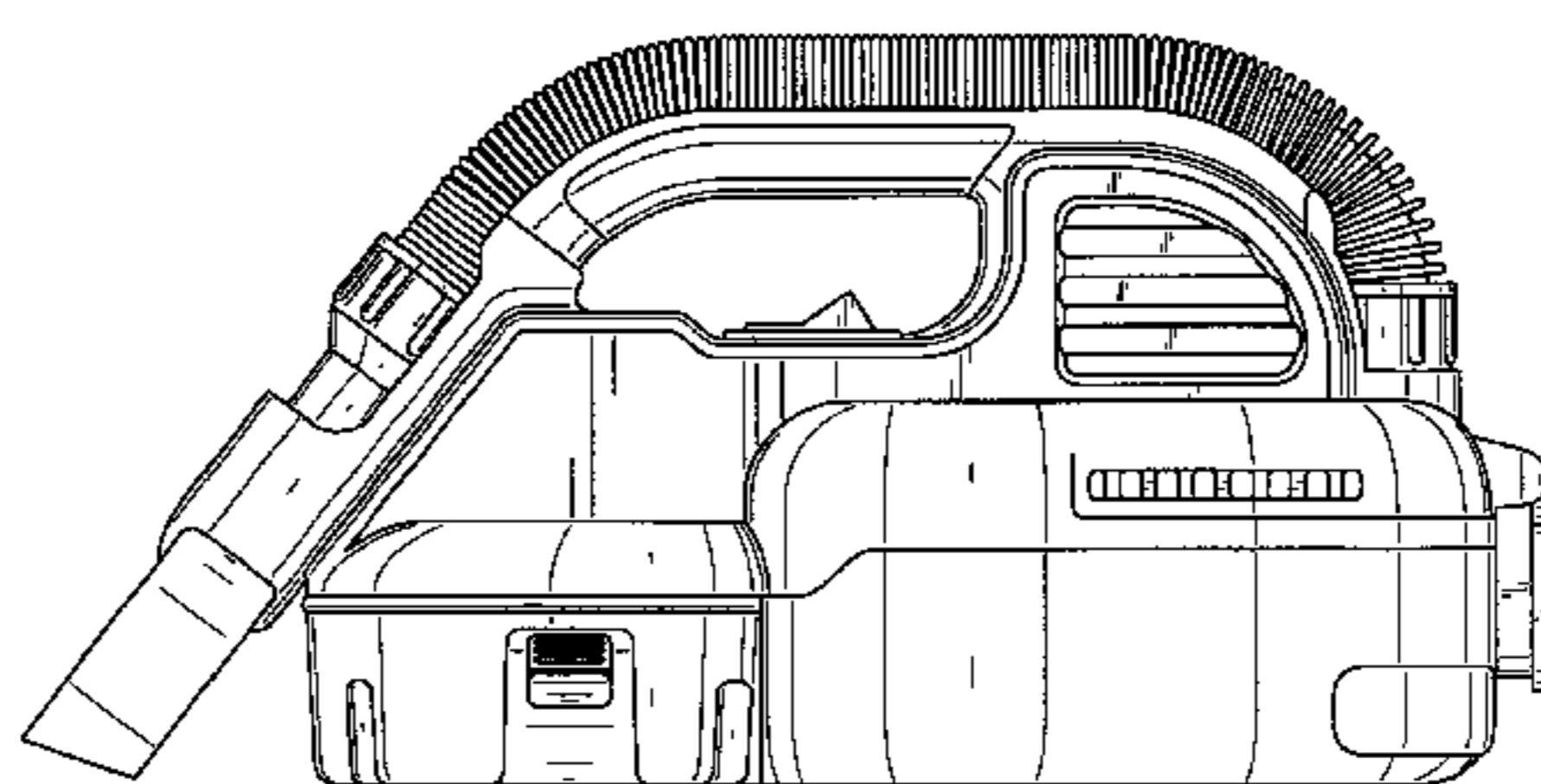
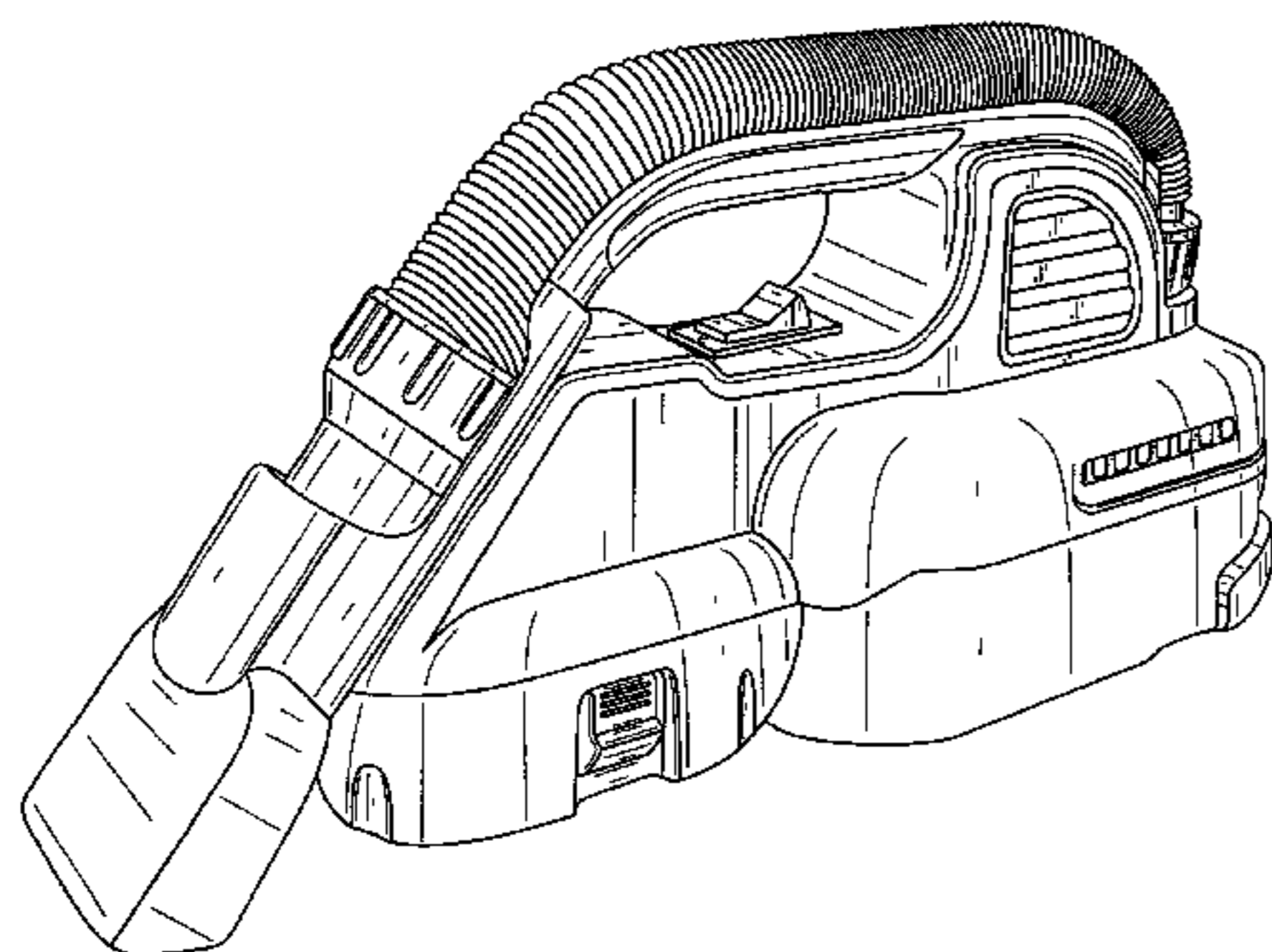
(57) **CLAIM**

The ornamental design for a vacuum cleaner, as shown and described.

DESCRIPTION

FIG. 1 is a front perspective view of the left side of a vacuum cleaner.
 FIG. 2 is a front perspective view of the right side thereof.
 FIG. 3 is a rear perspective view of a left side thereof.
 FIG. 4 is a rear perspective view of a right side thereof.
 FIG. 5 is a left side elevational view thereof.
 FIG. 6 is a right side elevational view thereof.
 FIG. 7 is a front elevational view thereof.
 FIG. 8 is a rear elevational view thereof.
 FIG. 9 is a top plan view thereof; and,
 FIG. 10 is a bottom plan view thereof.

1 Claim, 9 Drawing Sheets



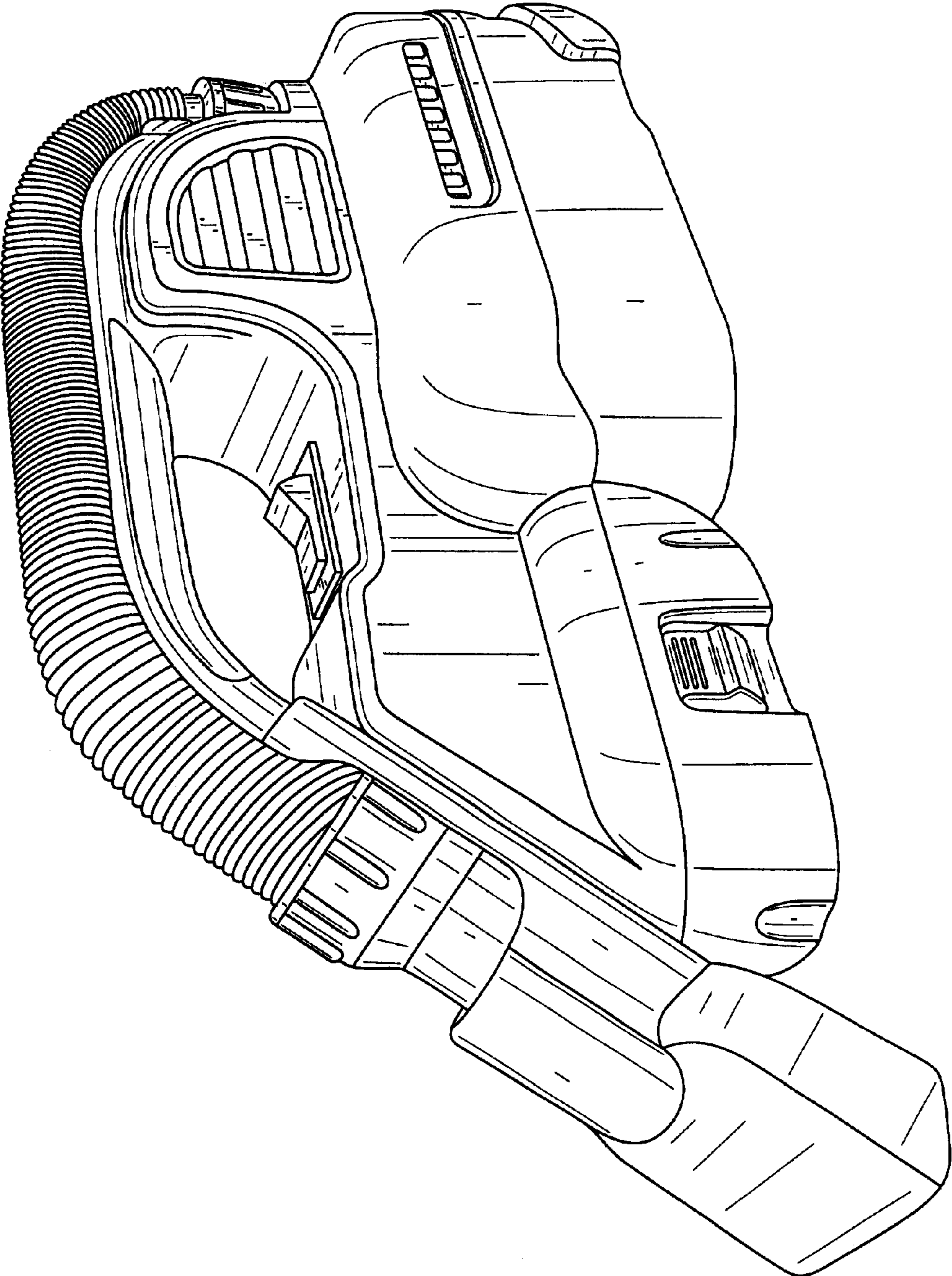


FIG. 1

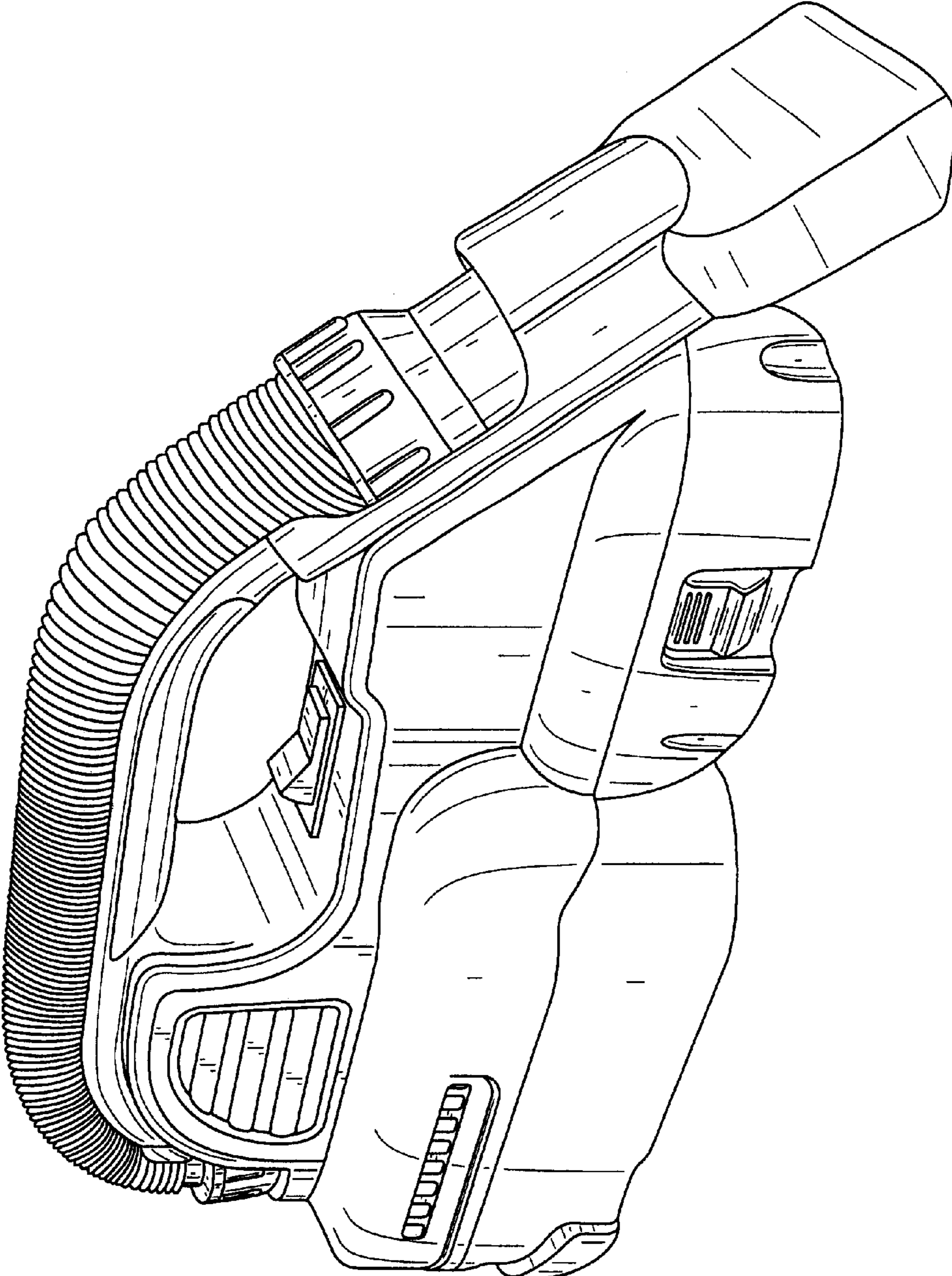


FIG. 2

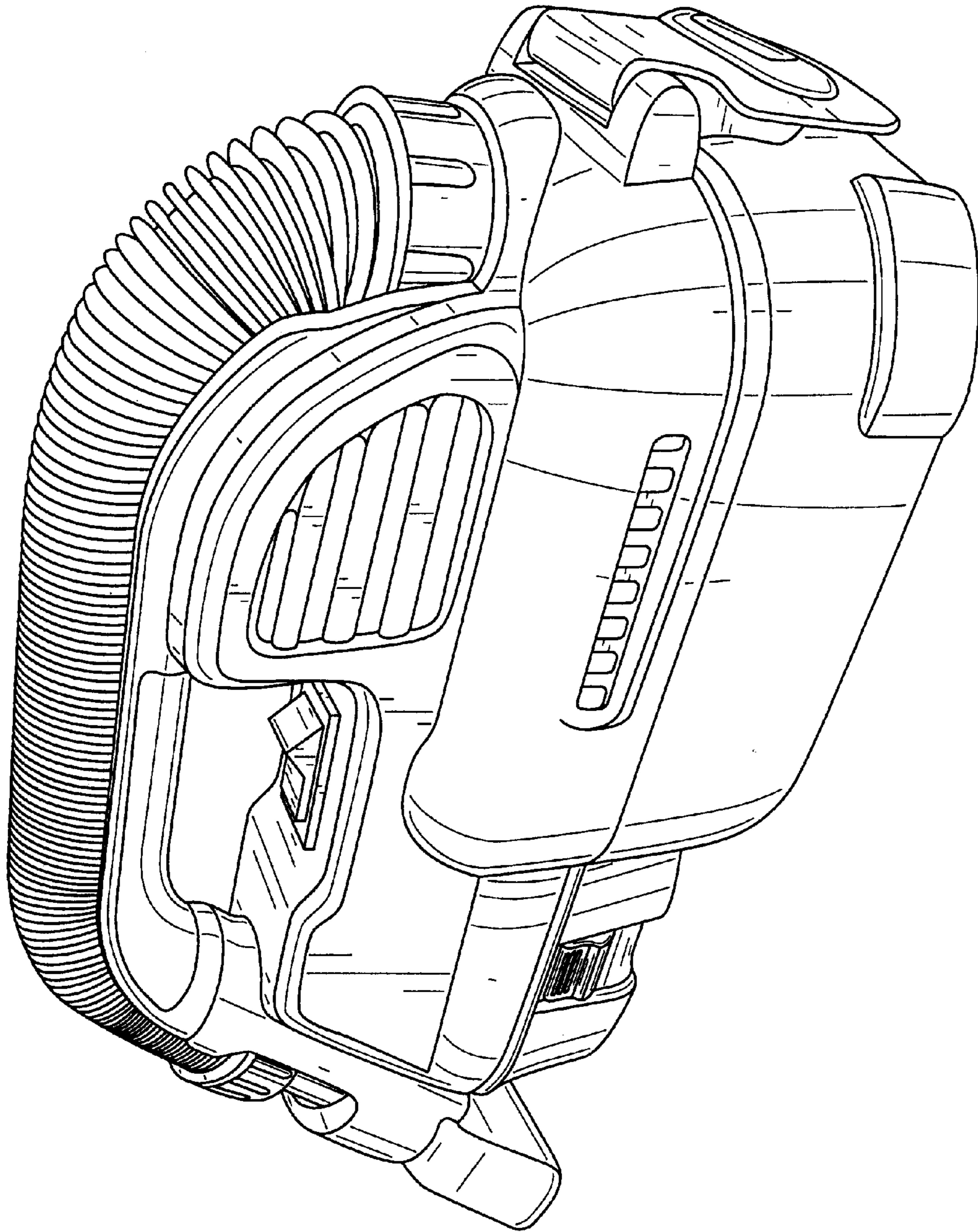


FIG. 3

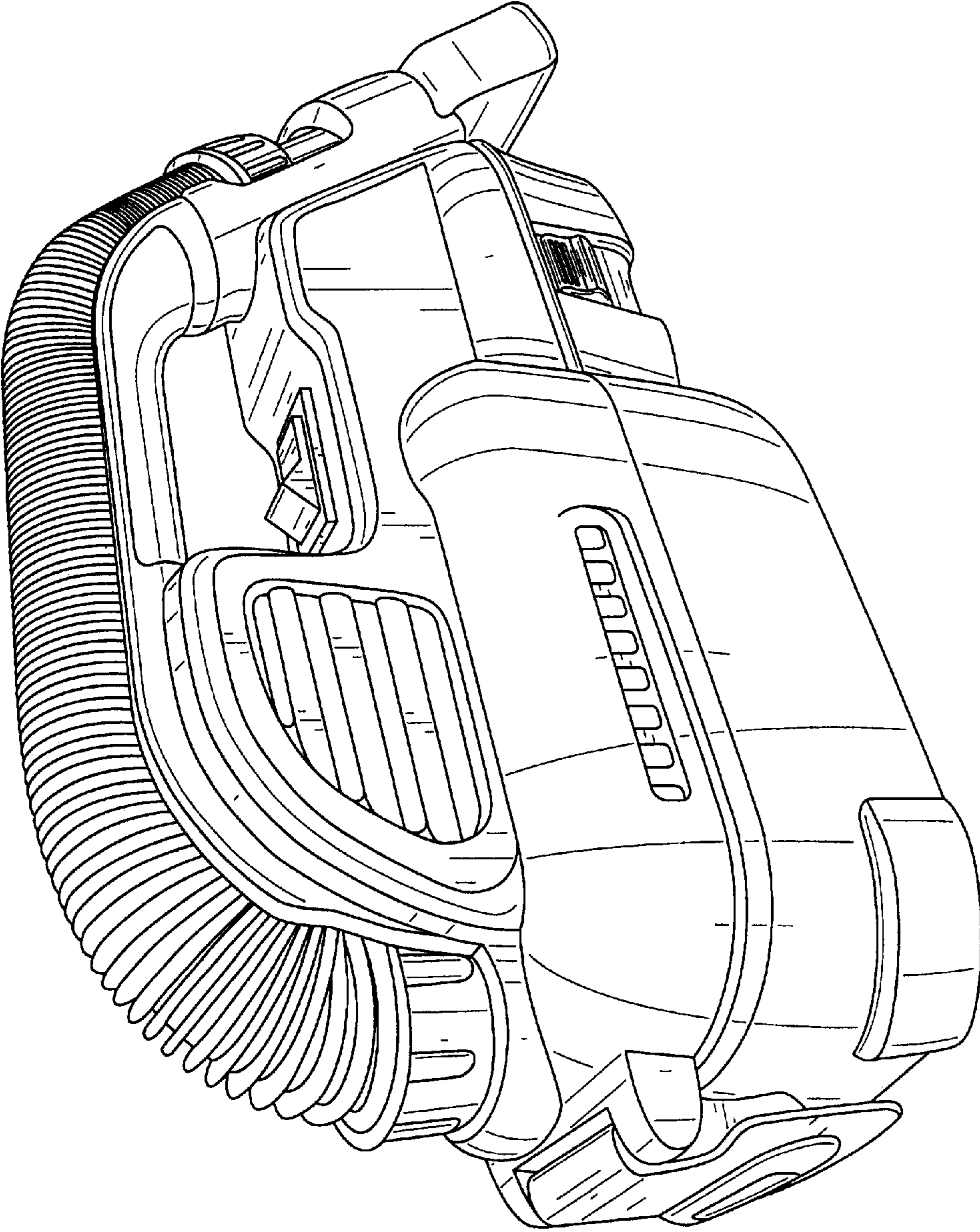


FIG. 4

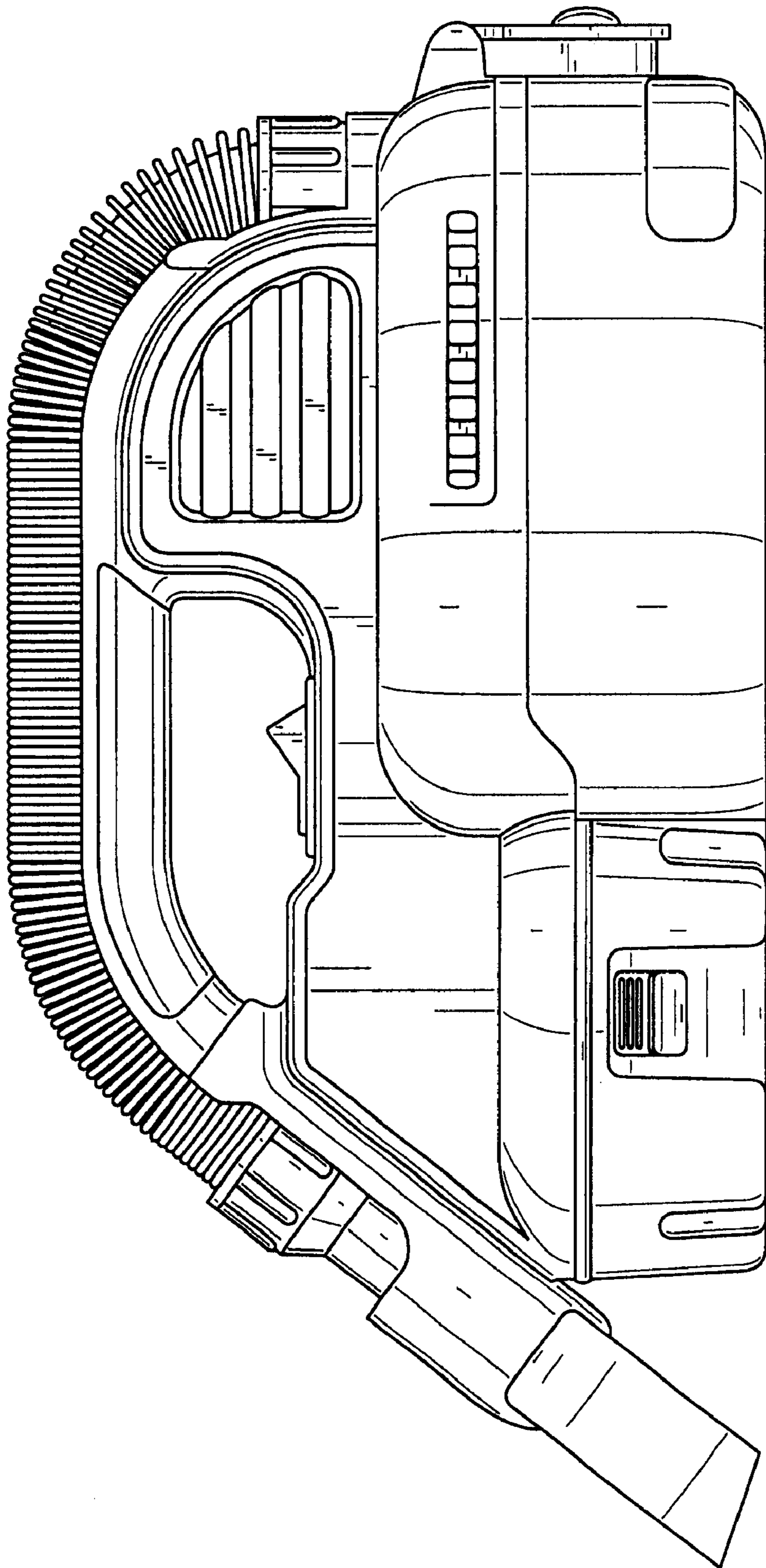


FIG. 5

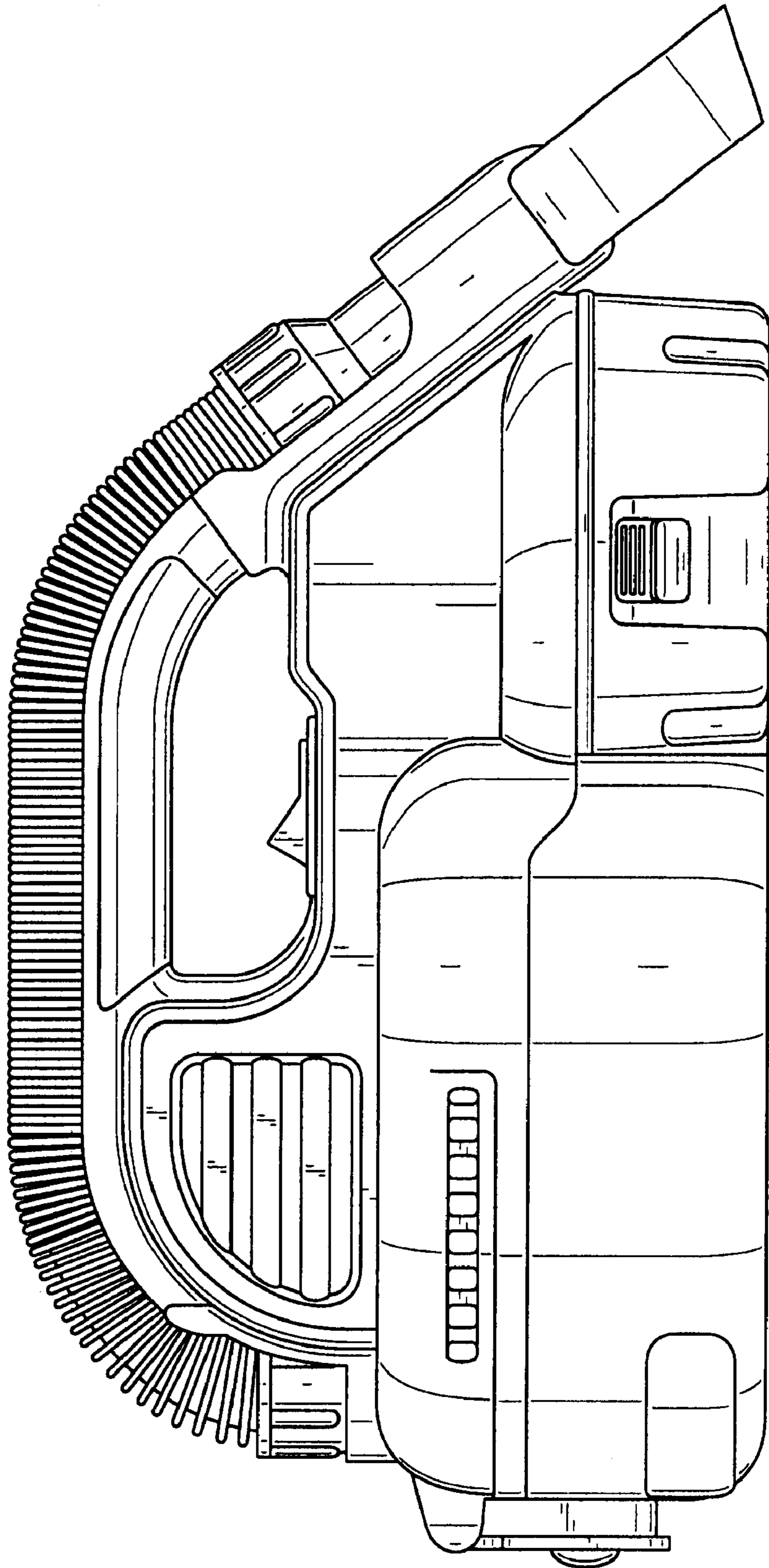


FIG. 6

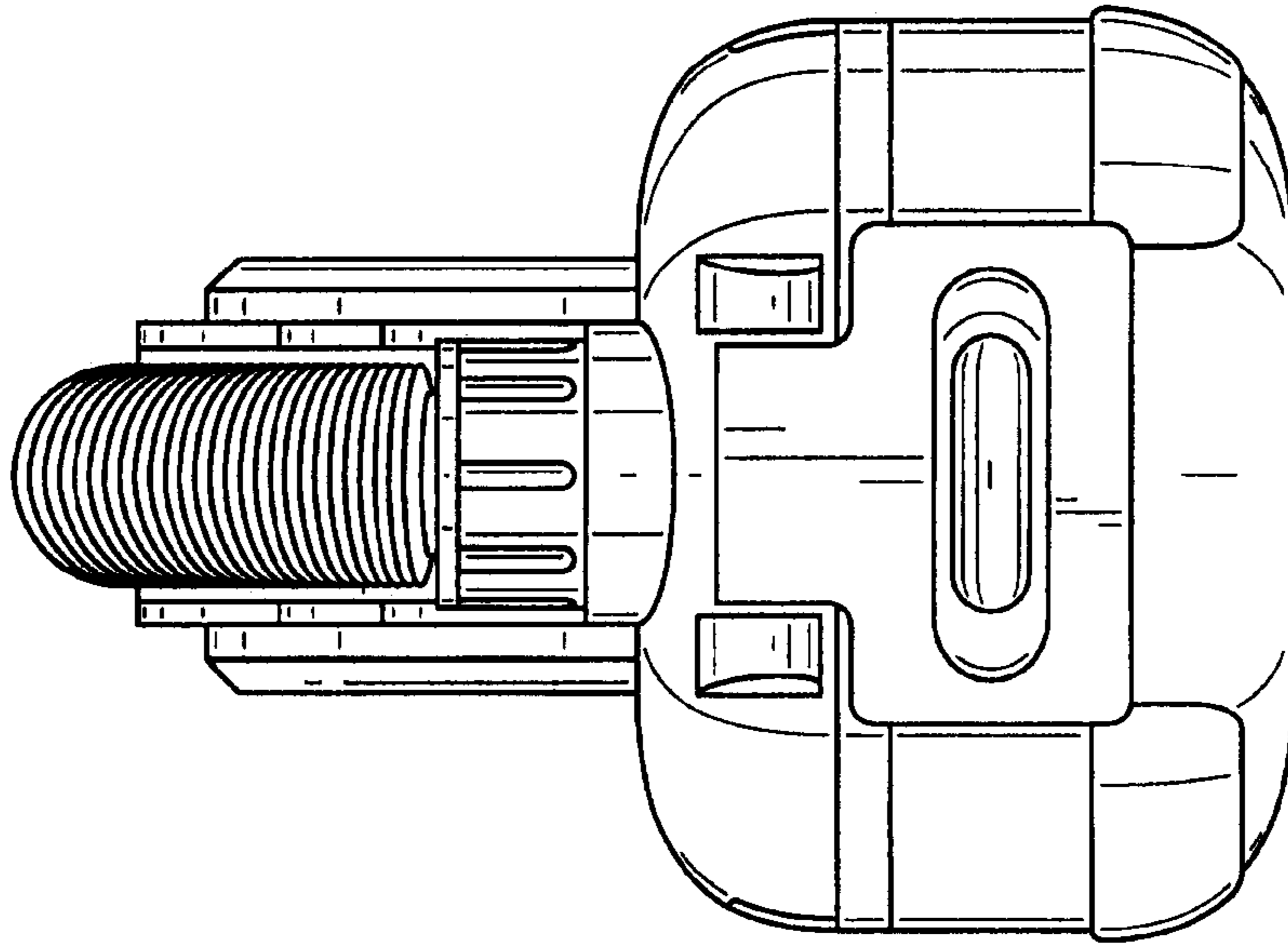


FIG. 8

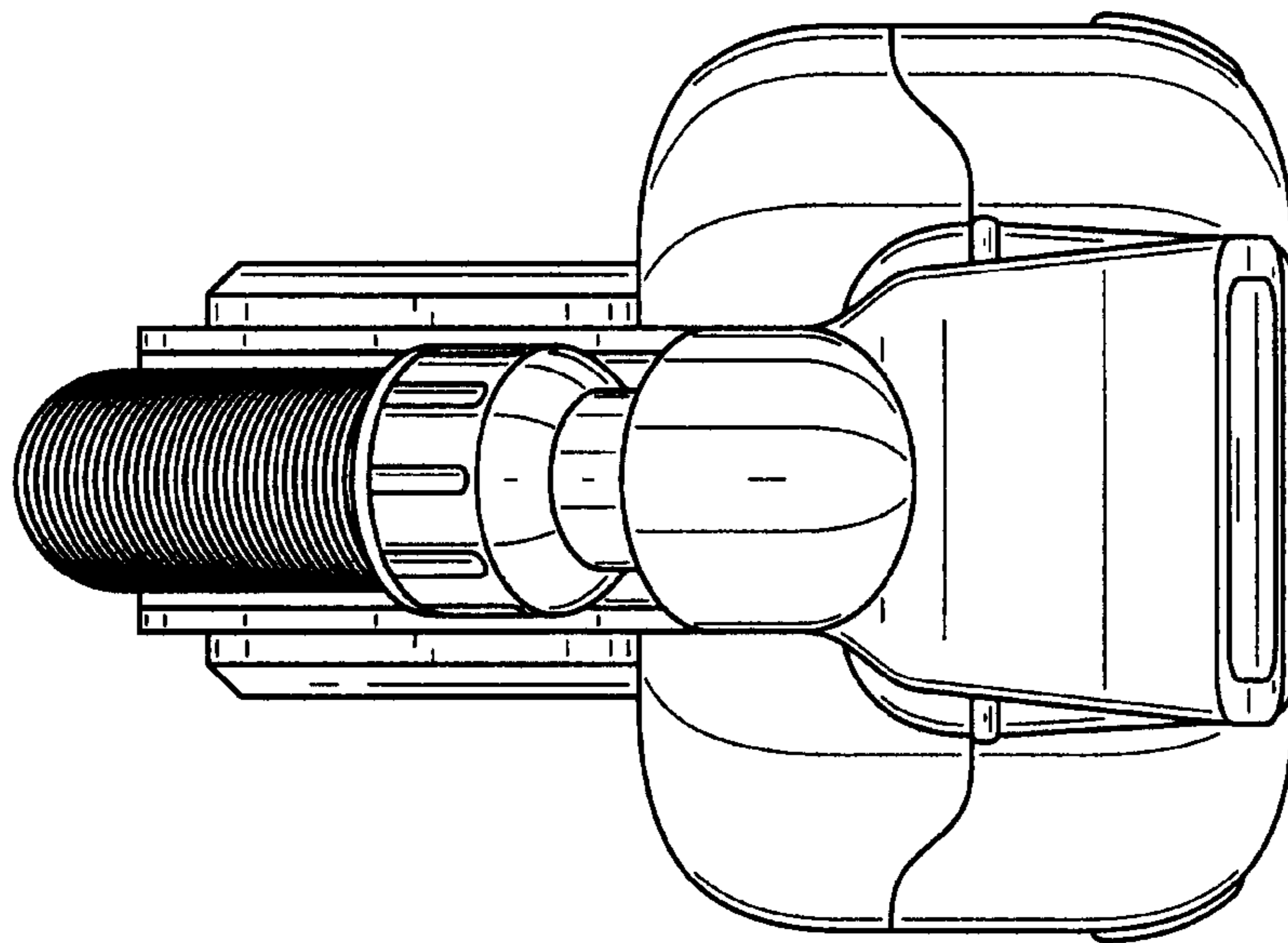


FIG. 7

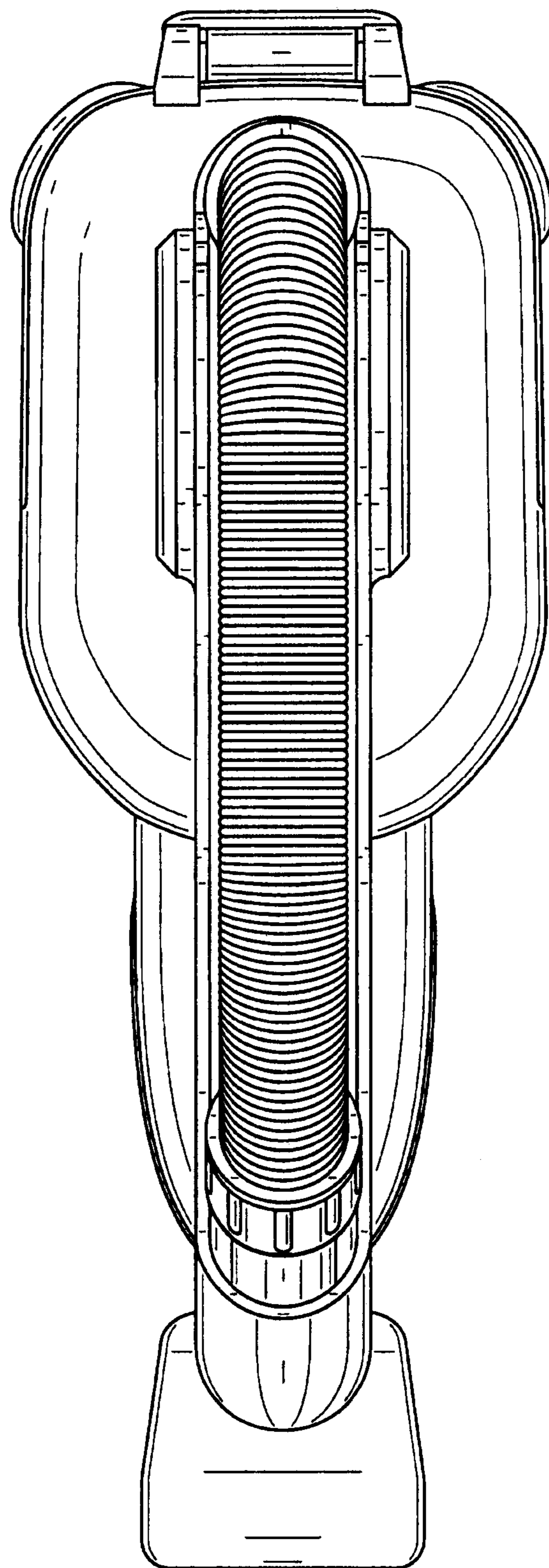


FIG. 9

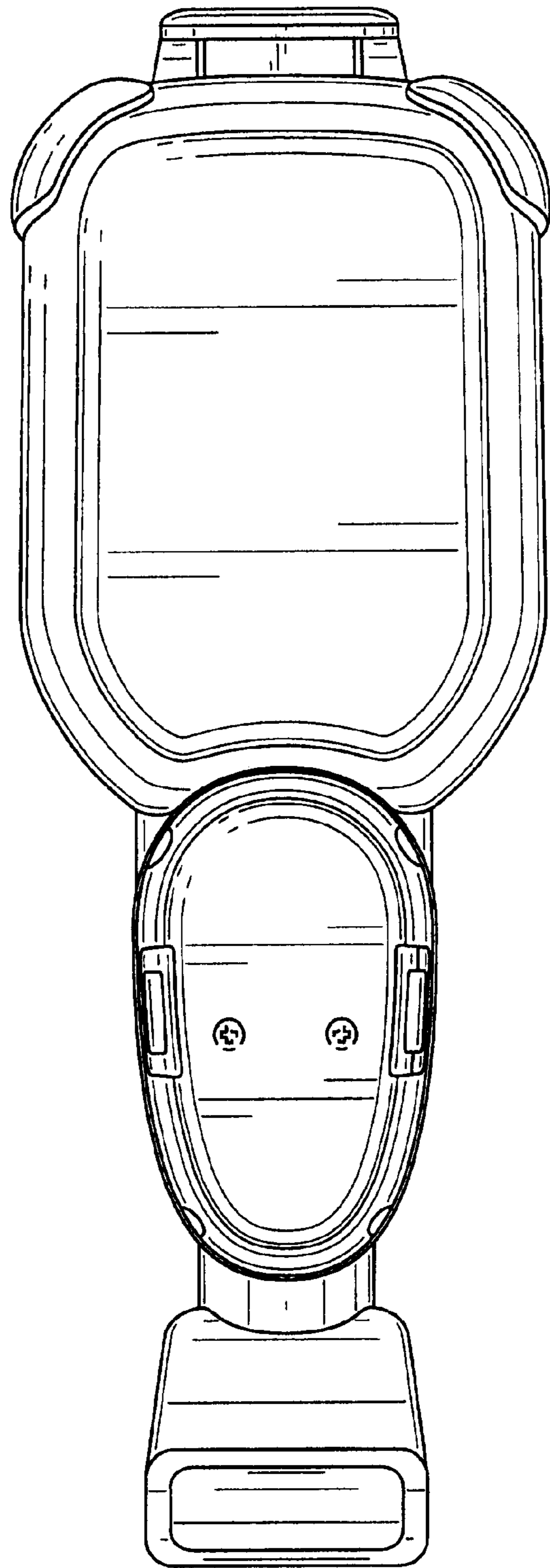


FIG. 10