

US00D541493S

(12) **United States Design Patent**
Peet

(10) **Patent No.:** **US D541,493 S**

(45) **Date of Patent:** **** Apr. 24, 2007**

(54) **FOUR COLUMN GARMENT DRYER**

6,216,359 B1 * 4/2001 Peet 34/105

(75) Inventor: **Blair G. Peet**, St. Maries, ID (US)

* cited by examiner

(73) Assignee: **Peet Shoe Dryer, Inc.**, St. Maries, ID (US)

Primary Examiner—Louis S. Zarfes

Assistant Examiner—Kathleen Sims

(74) *Attorney, Agent, or Firm*—Wells St. John, P.S.

(**) Term: **14 Years**

(57) **CLAIM**

(21) Appl. No.: **29/252,961**

I claim the ornamental design for a four column garment dryer, as shown and described.

(22) Filed: **Jan. 30, 2006**

DESCRIPTION

(51) **LOC (8) Cl.** **15-05**

(52) **U.S. Cl.** **D32/8**

(58) **Field of Classification Search** D32/1,
D32/8, 55, 56, 58, 59; 34/90, 103, 104, 106,
34/239; 211/37; 223/113; D6/552
See application file for complete search history.

FIG. 1 is a rear perspective view of the four column garment dryer invention;

FIG. 2 is a front perspective view of the four column garment dryer;

FIG. 3 is a front perspective view of the four column garment dryer with lines showing possible attachments thereon;

FIG. 4 is a rear elevation view thereof;

FIG. 5 is a top view thereof;

FIG. 6 is a front elevation view thereof;

FIG. 7 is a first side elevation view thereof;

FIG. 8 is a second side elevation view thereof; and,

FIG. 9 is a bottom view thereof.

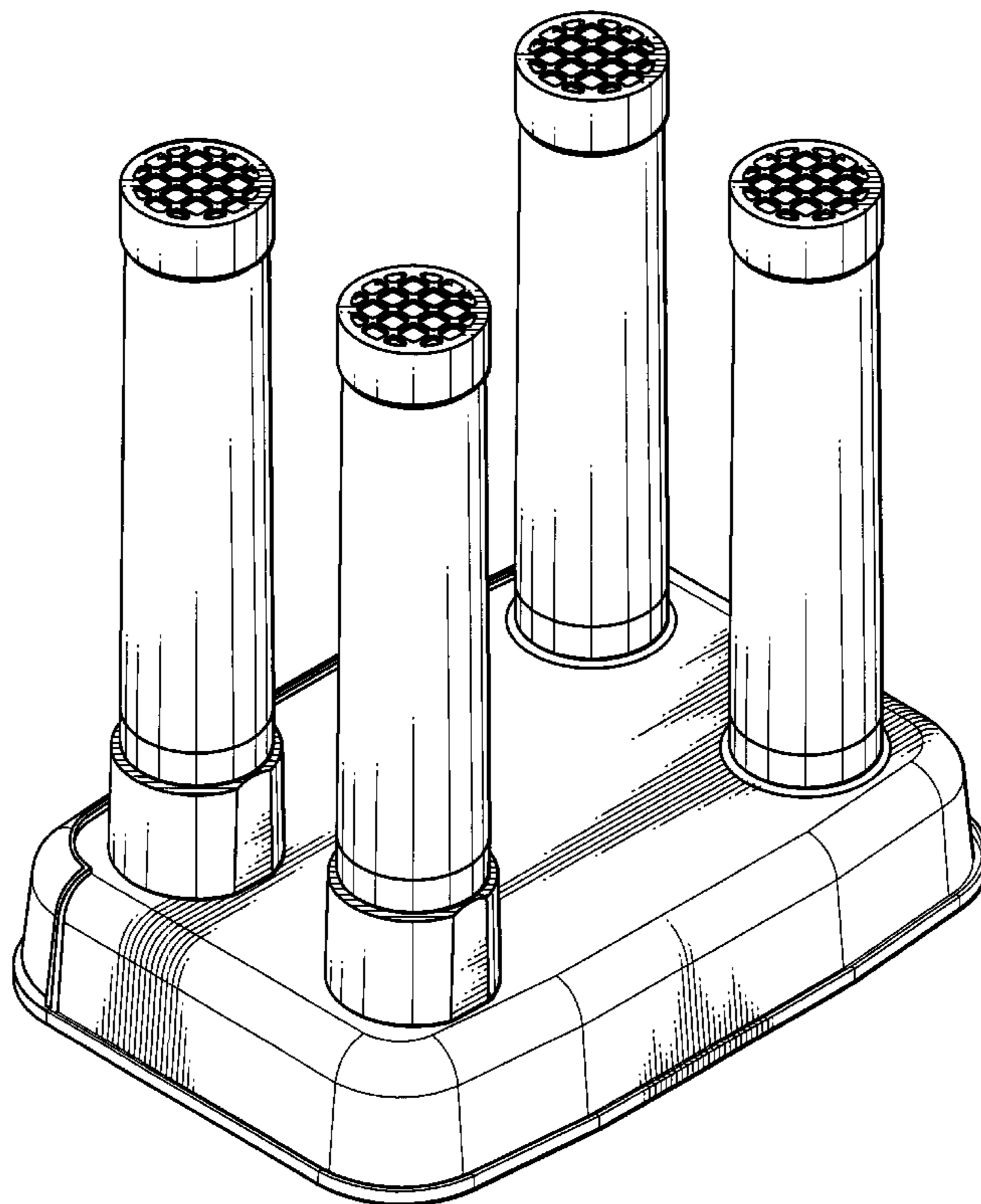
The broken line showing of the four column garment dryer is included for the purpose of illustrating environmental matter and forms no part of the claimed design.

(56) **References Cited**

U.S. PATENT DOCUMENTS

3,513,564	A	*	5/1970	Gramprrie	34/104
4,136,464	A	*	1/1979	Hay	34/104
D310,742	S	*	9/1990	Johnson	D32/58
5,287,636	A	*	2/1994	Lafleur et al.	34/104
D349,788	S	*	8/1994	Laferriere et al.	D32/1
D373,867	S	*	9/1996	Rask	D32/58
5,632,099	A	*	5/1997	Seifert et al.	34/106
D390,727	S	*	2/1998	Ferry	D6/469
D412,231	S	*	7/1999	Williams et al.	D32/58
D433,204	S	*	10/2000	Gardner, Jr.	D32/58

1 Claim, 9 Drawing Sheets



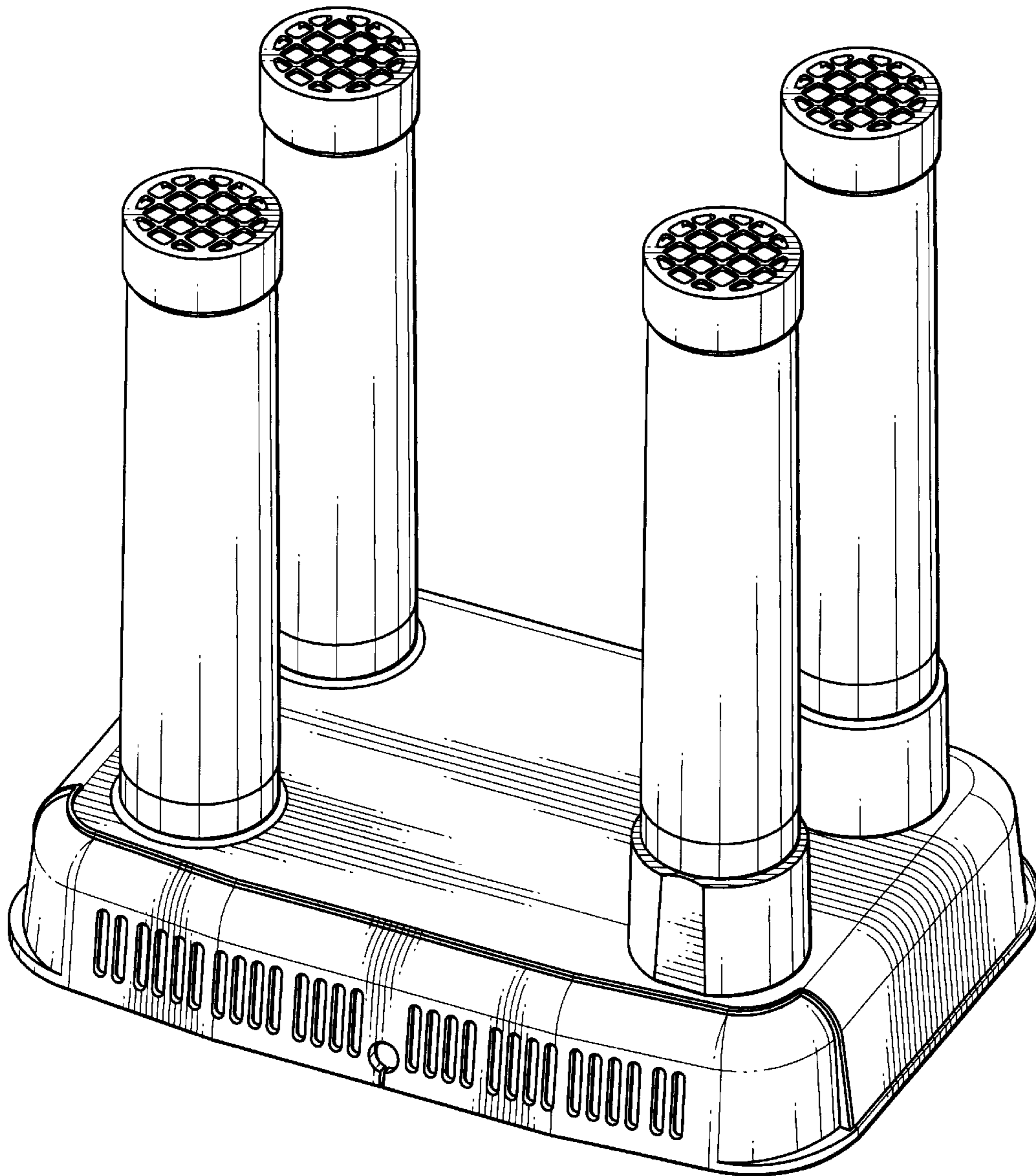
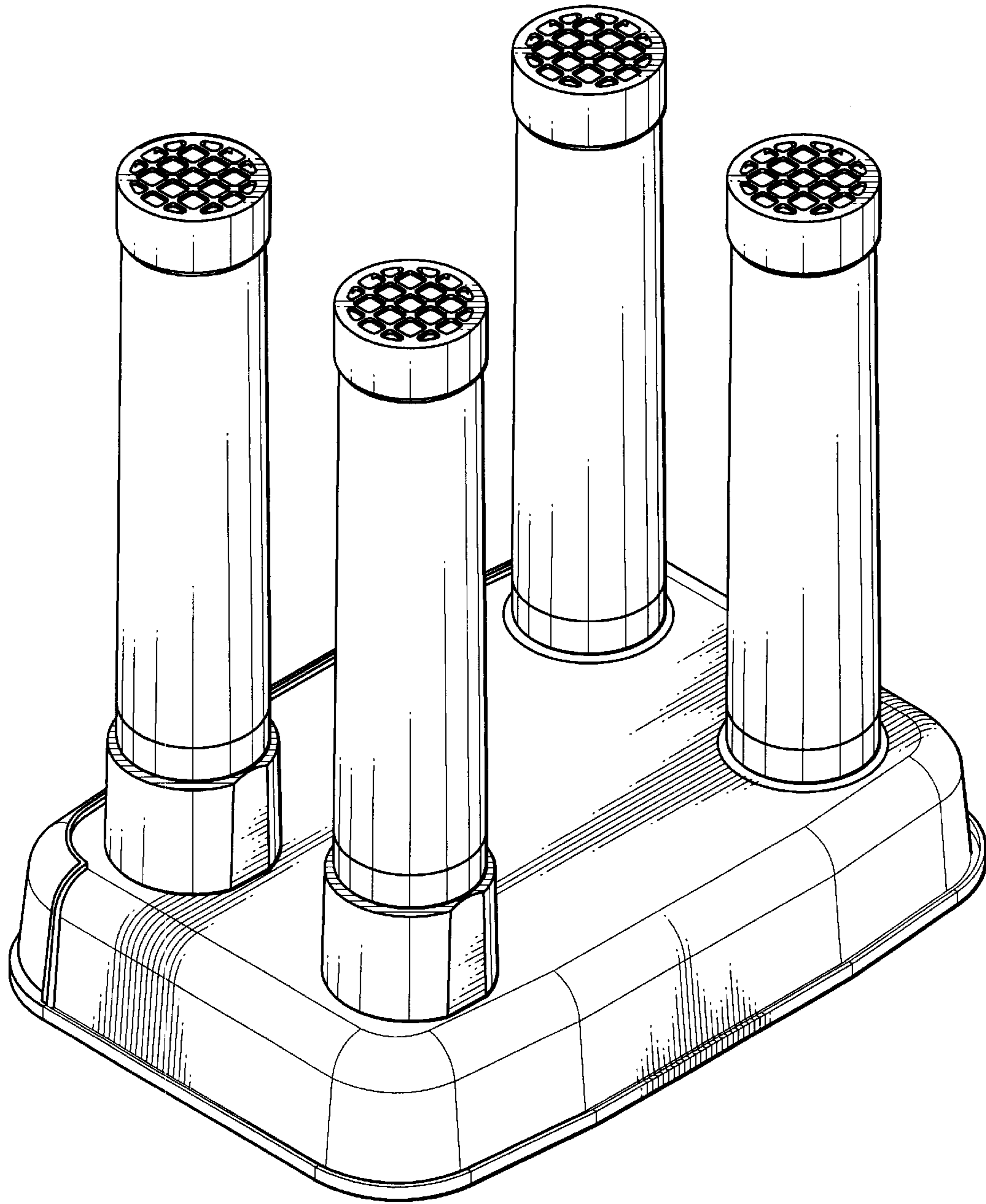


Fig. 1



11 11 11 11

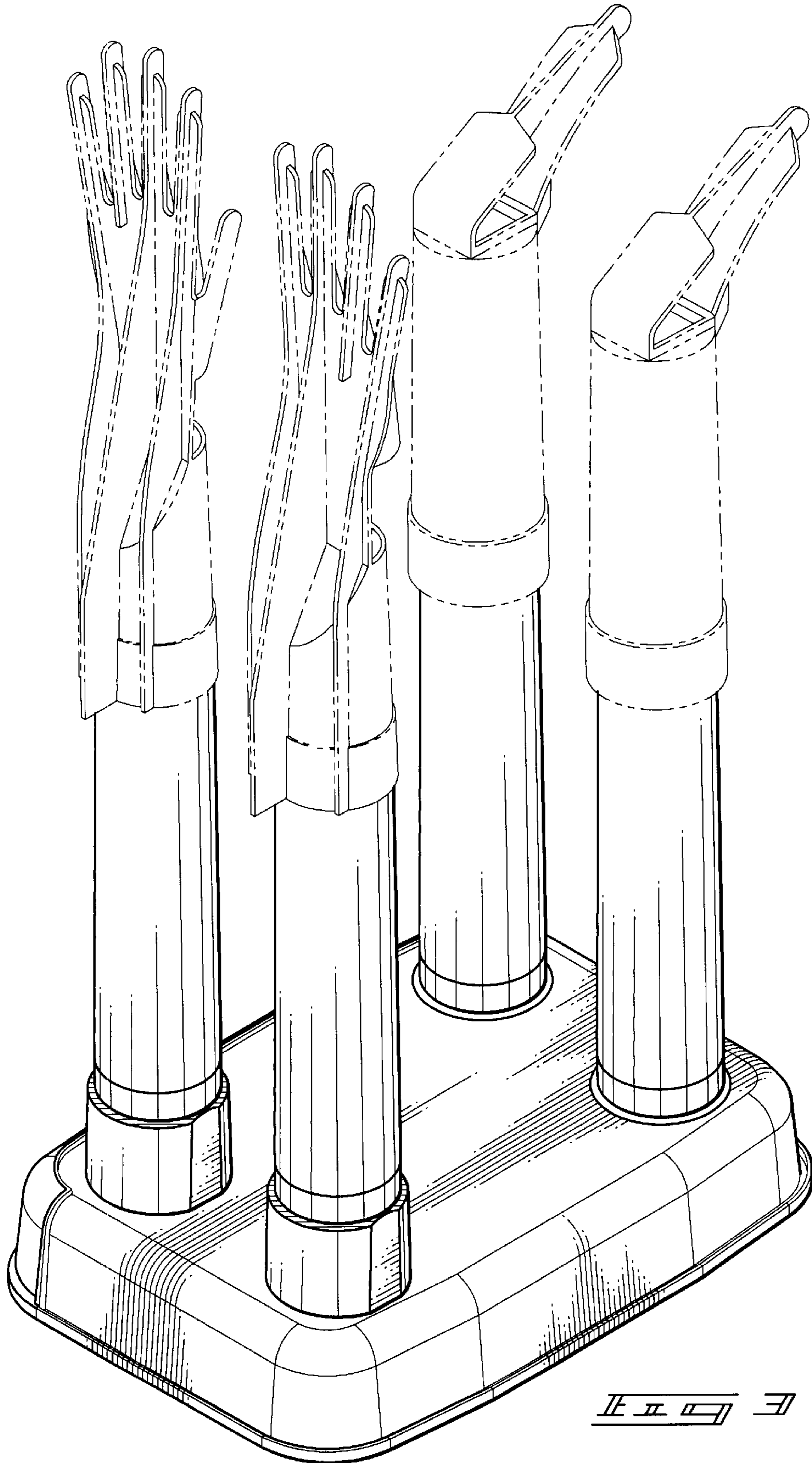


FIG. 3

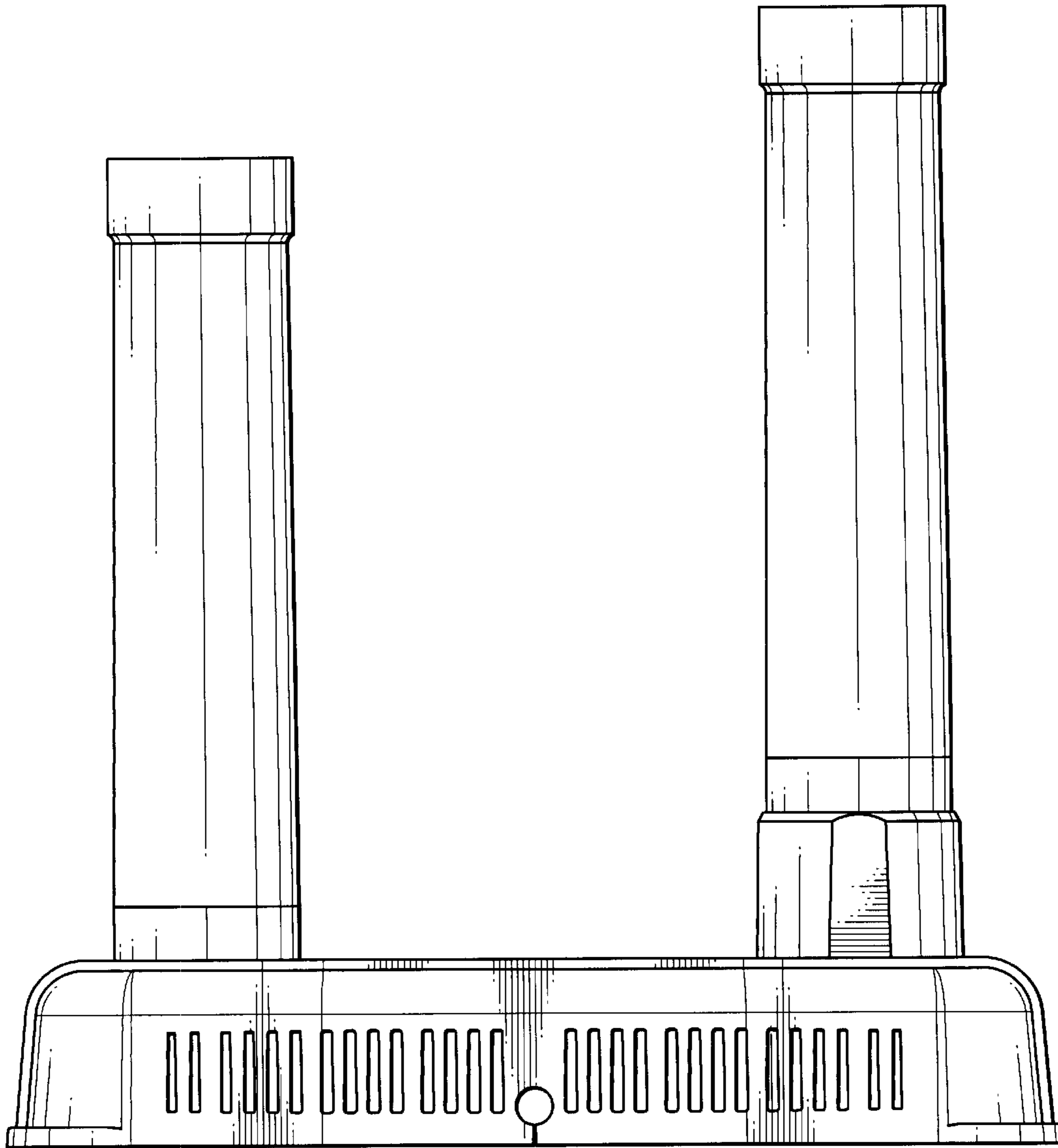


Fig. 4

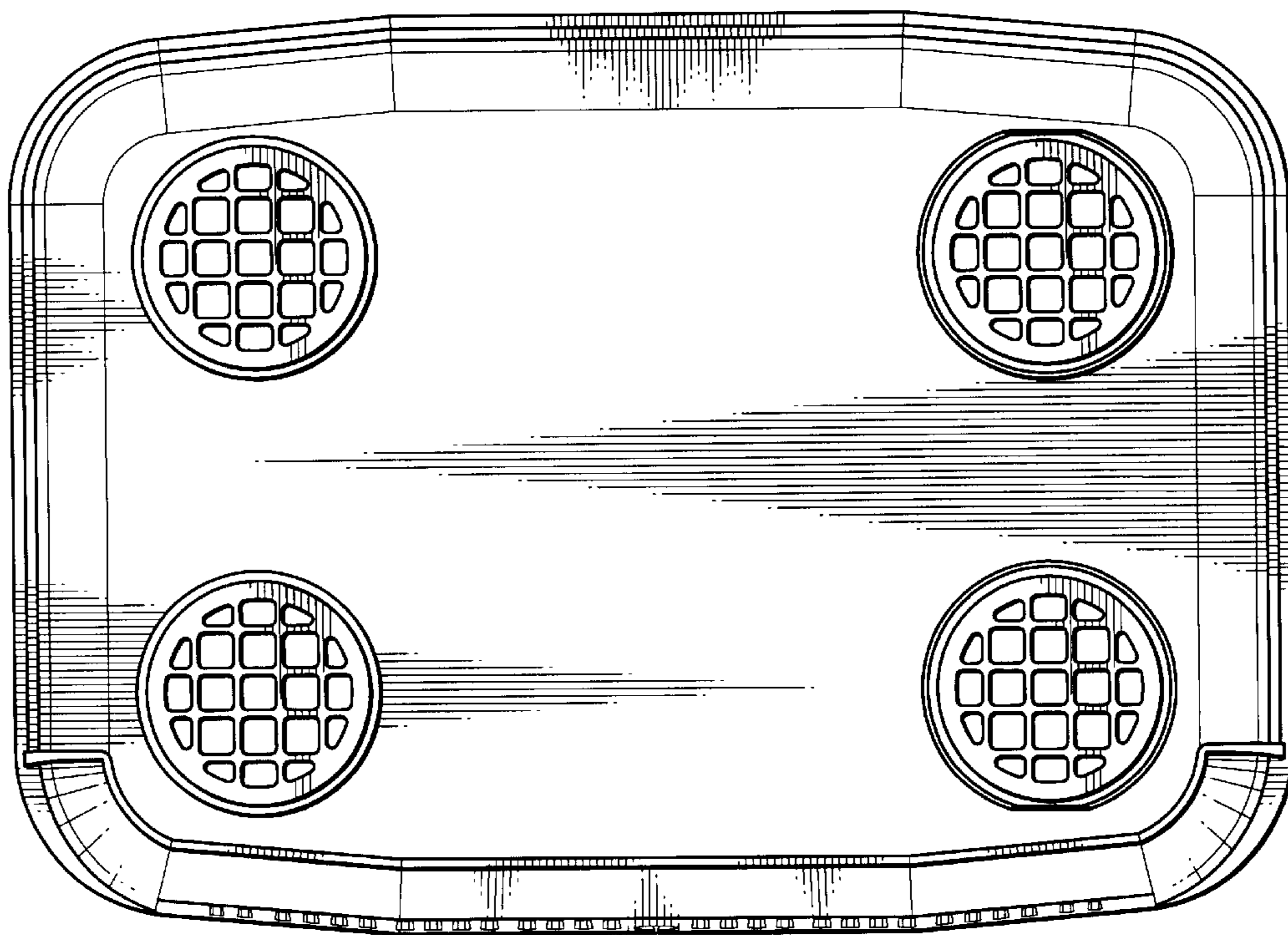


Fig. 5

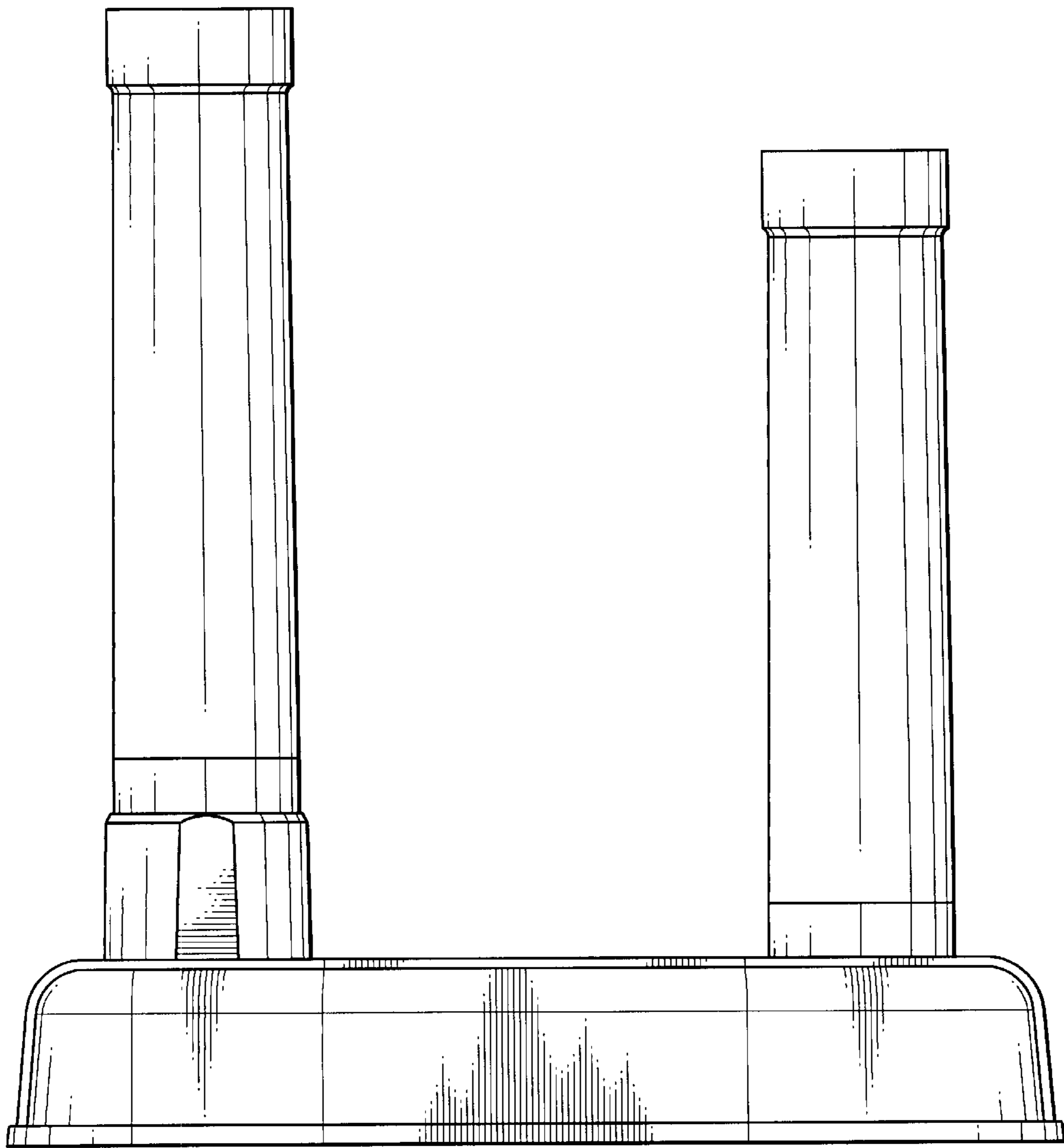


FIG. 6

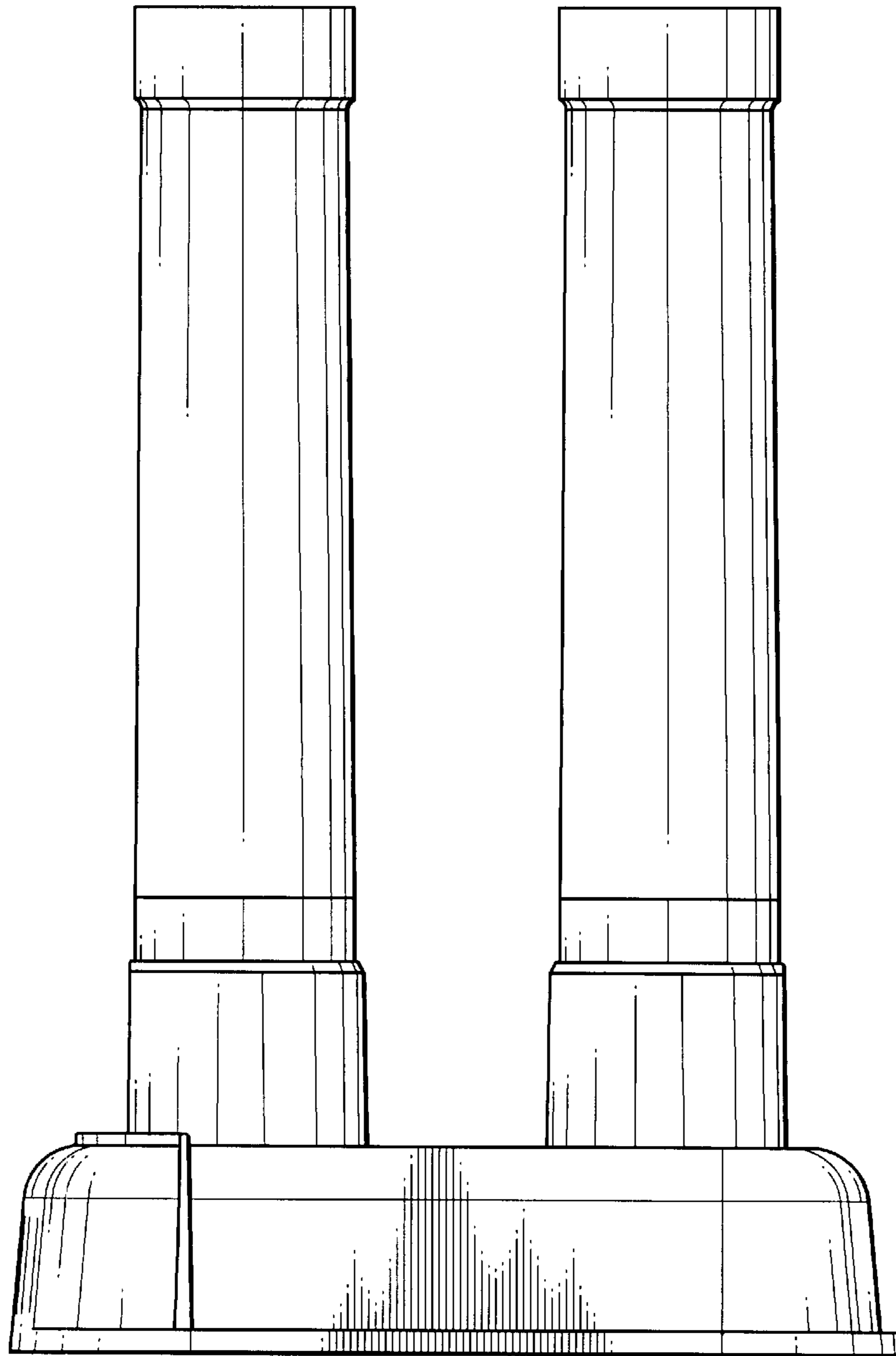
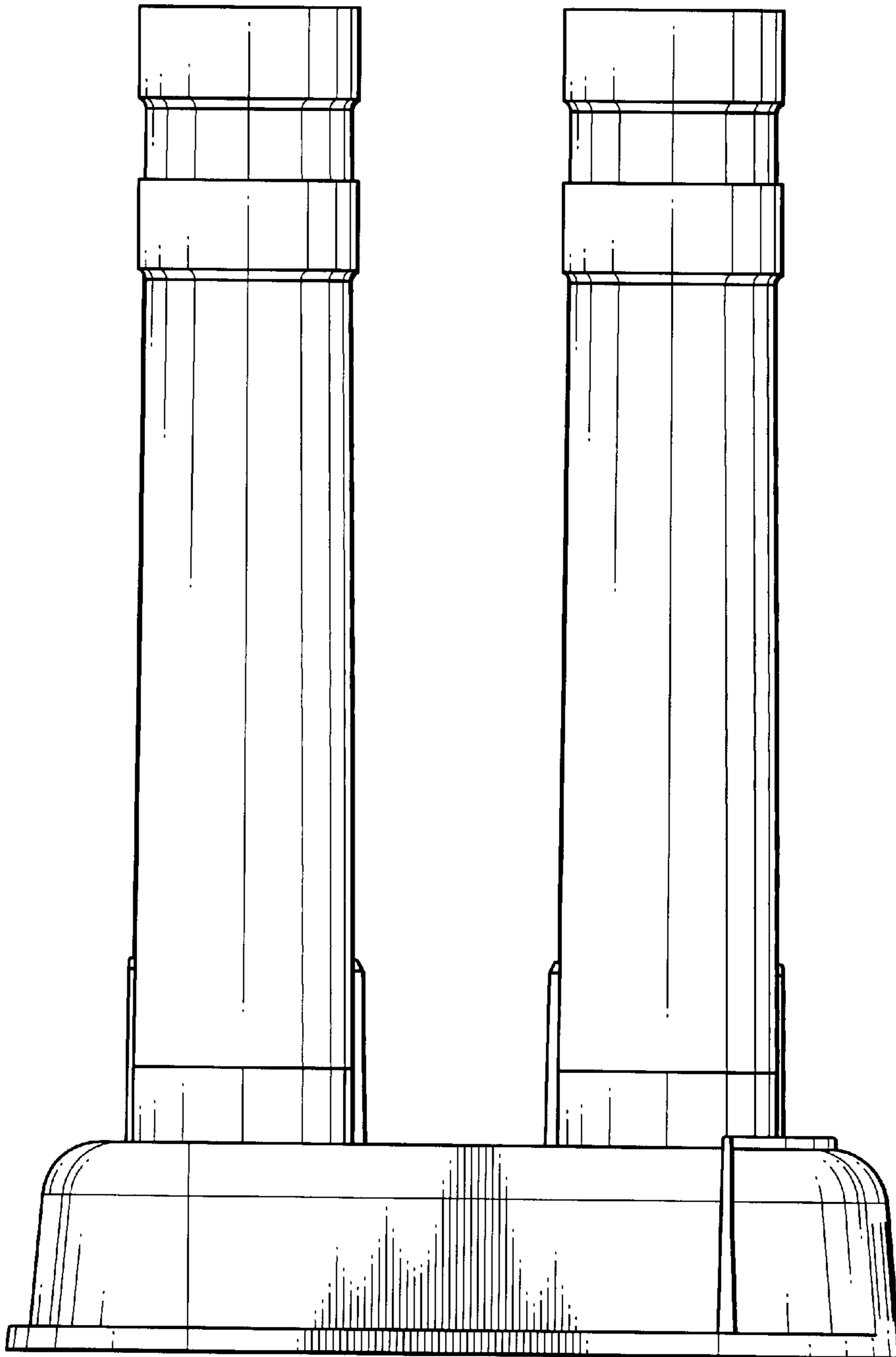


FIG. 7



11 11 11 11

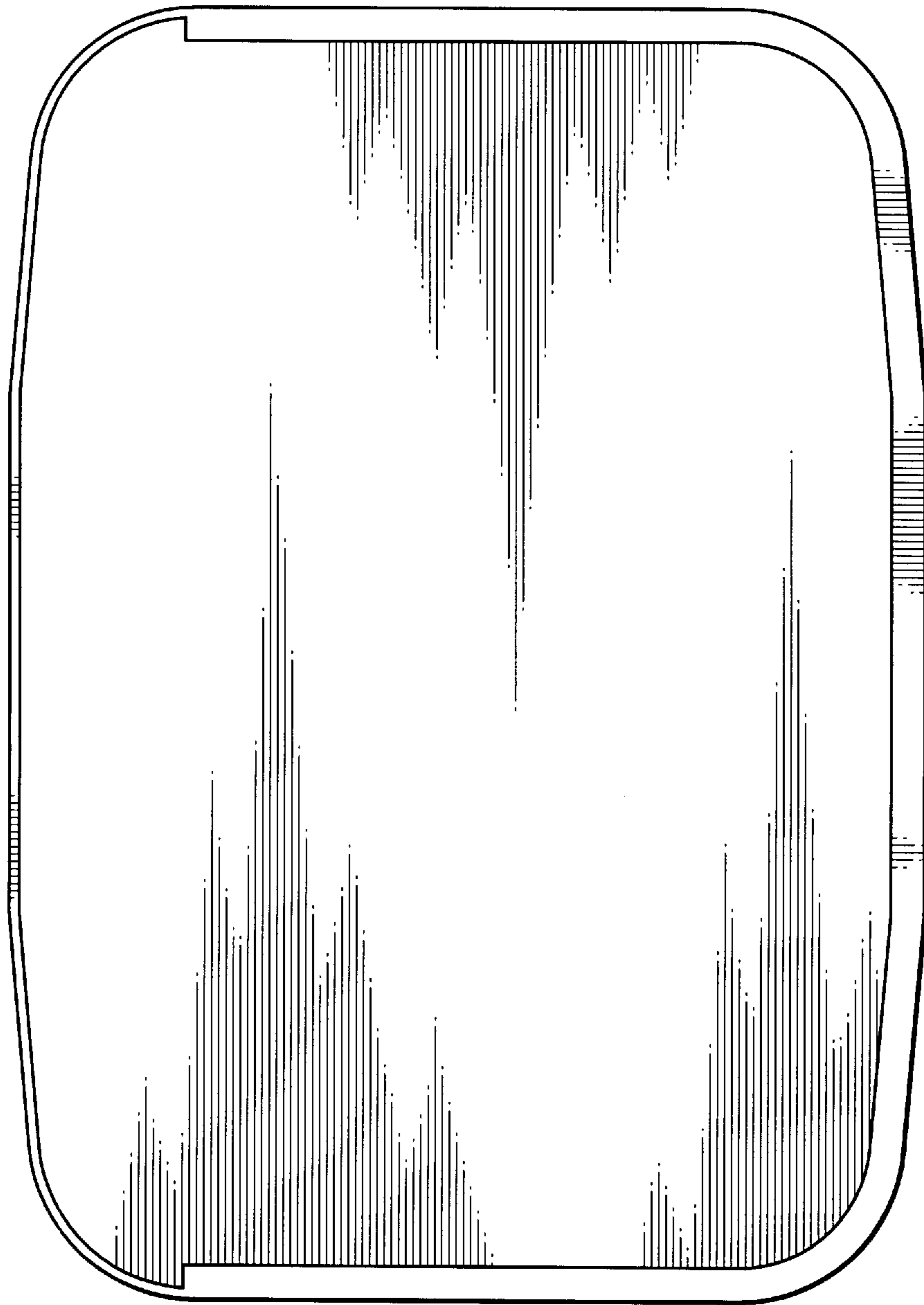


FIG. 9