



US00D541475S

(12) **United States Design Patent**  
**Psimadas et al.**

(10) **Patent No.:** **US D541,475 S**

(45) **Date of Patent:** **\*\* Apr. 24, 2007**

(54) **RAZOR UNIT HANDLE**

(75) Inventors: **Yiannis Marios Psimadas**, Vrillissia (GR); **Alexis Angelides**, Alimos-Faliro (GR); **Andreas Vasiliadis**, Chalandri (GR); **Irini Matinopoulou**, Palaio Faliro (GR)

(73) Assignee: **Societe BIC**, Clichy Cedex (FR)

(\*\*) Term: **14 Years**

(21) Appl. No.: **29/243,647**

(22) Filed: **Nov. 29, 2005**

(30) **Foreign Application Priority Data**

May 30, 2005 (EM) ..... 000351531

(51) **LOC (8) Cl.** ..... **28-03**

(52) **U.S. Cl.** ..... **D28/48**

(58) **Field of Classification Search** ..... 30/30, 30/32, 34.05, 34.2, 41, 44, 47-51, 57, 526-528, 30/532; D28/44, 44.1, 45-48

See application file for complete search history.

(56) **References Cited**

**U.S. PATENT DOCUMENTS**

D416,109 S \* 11/1999 Wonderley ..... D28/48

D421,155 S \* 2/2000 Grange ..... D28/48  
D421,666 S \* 3/2000 Lyons et al. .... D28/48  
D451,642 S \* 12/2001 Wagstaff ..... D28/48  
D454,413 S \* 3/2002 Shepperson ..... D28/48  
D464,172 S \* 10/2002 Shepperson ..... D28/48

\* cited by examiner

*Primary Examiner*—Jennifer Rivard

(74) *Attorney, Agent, or Firm*—H.T. Than Law Group; H. T. Than

(57) **CLAIM**

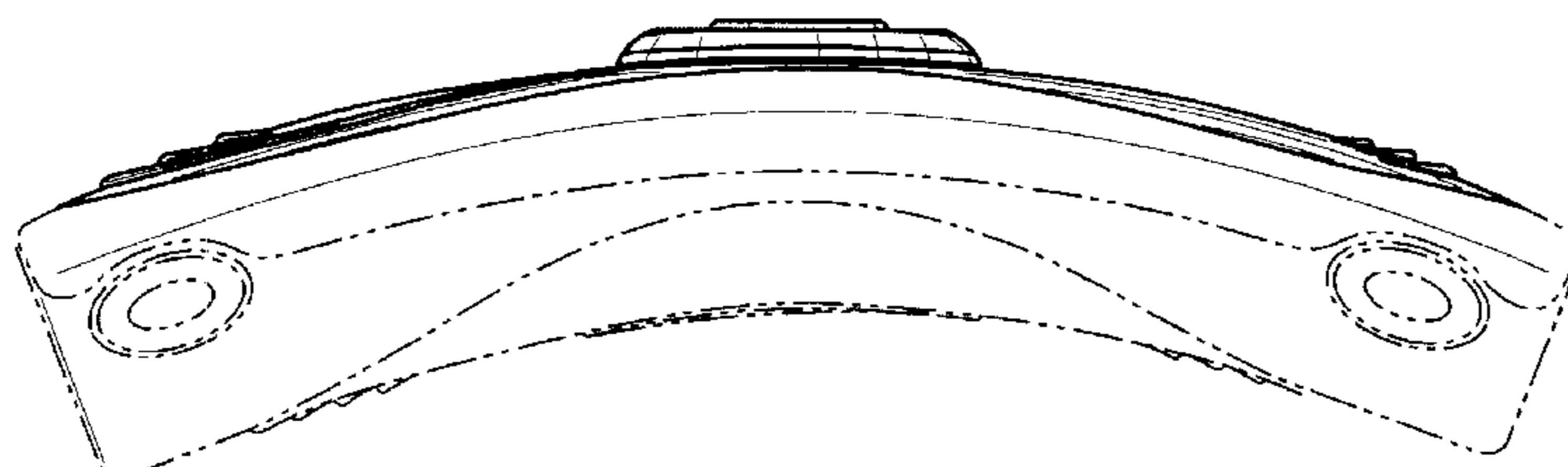
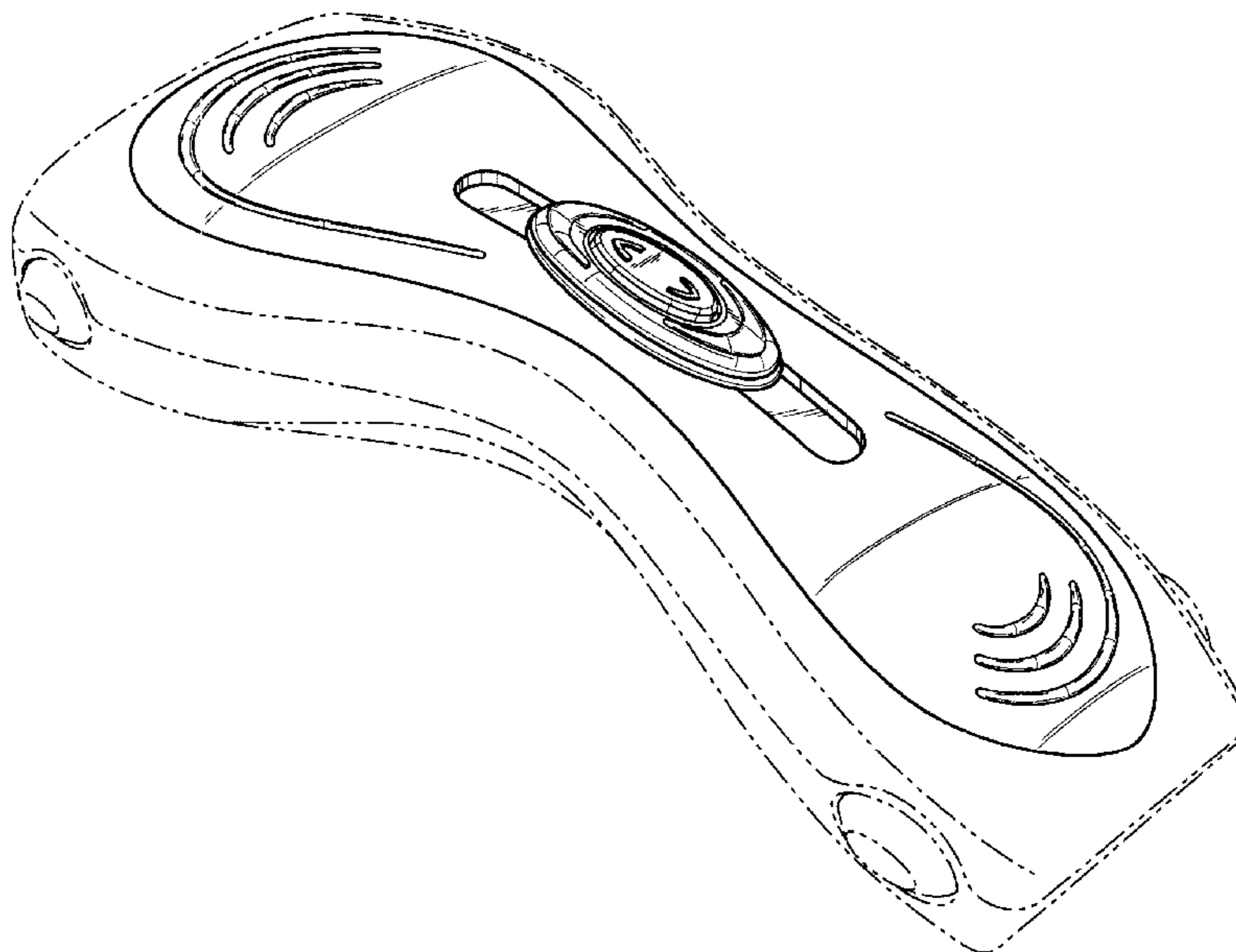
The ornamental design for a razor unit handle, as shown and described.

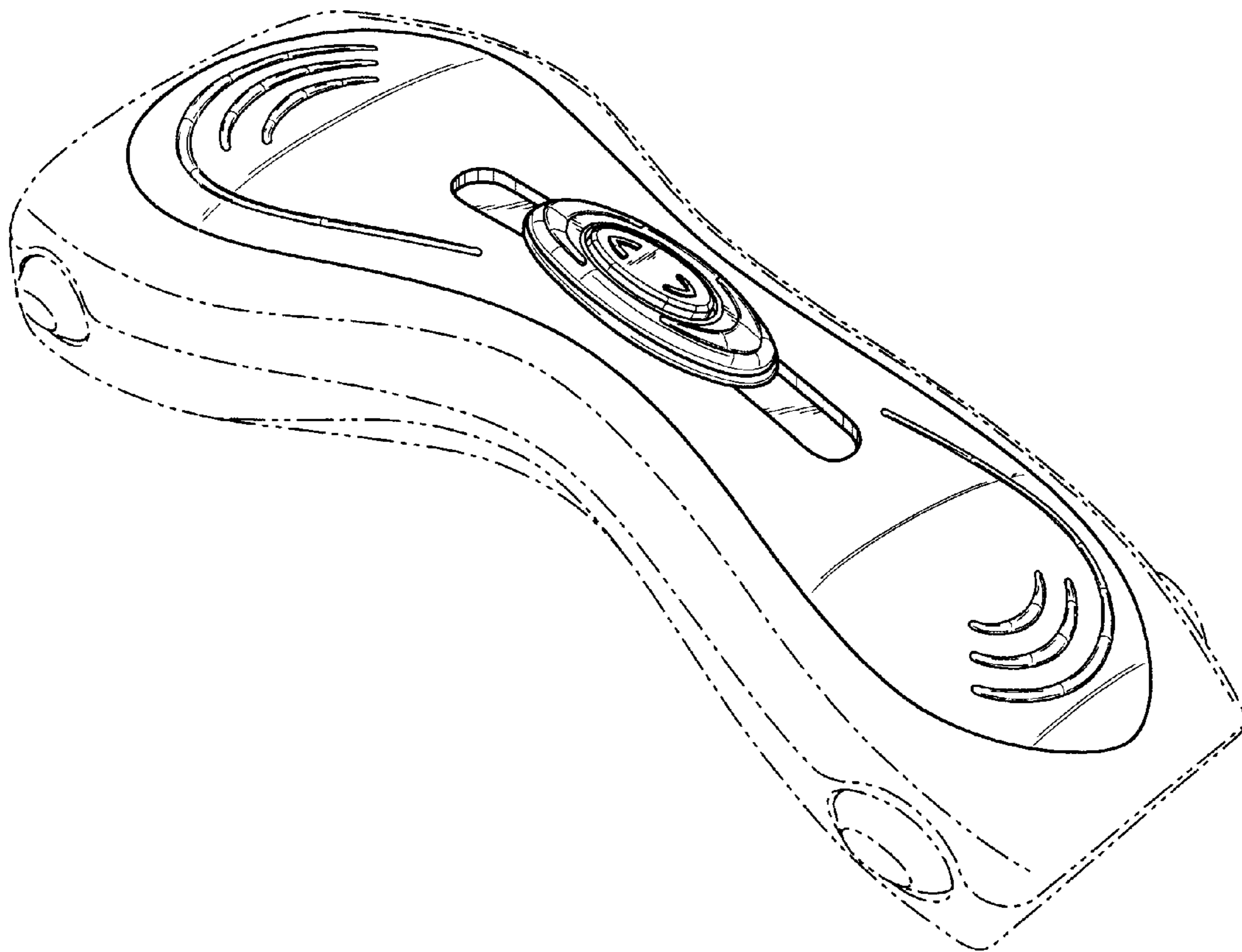
**DESCRIPTION**

FIG. 1 is a perspective view of an ornamental design for a razor unit handle design according to the present invention; FIG. 2 is a top elevational view thereof; FIG. 3 is a bottom elevational view thereof; FIG. 4 is a left side view thereof; FIG. 5 is a right side view thereof; FIG. 6 is a front view thereof; and, FIG. 7 is a rear end view thereof.

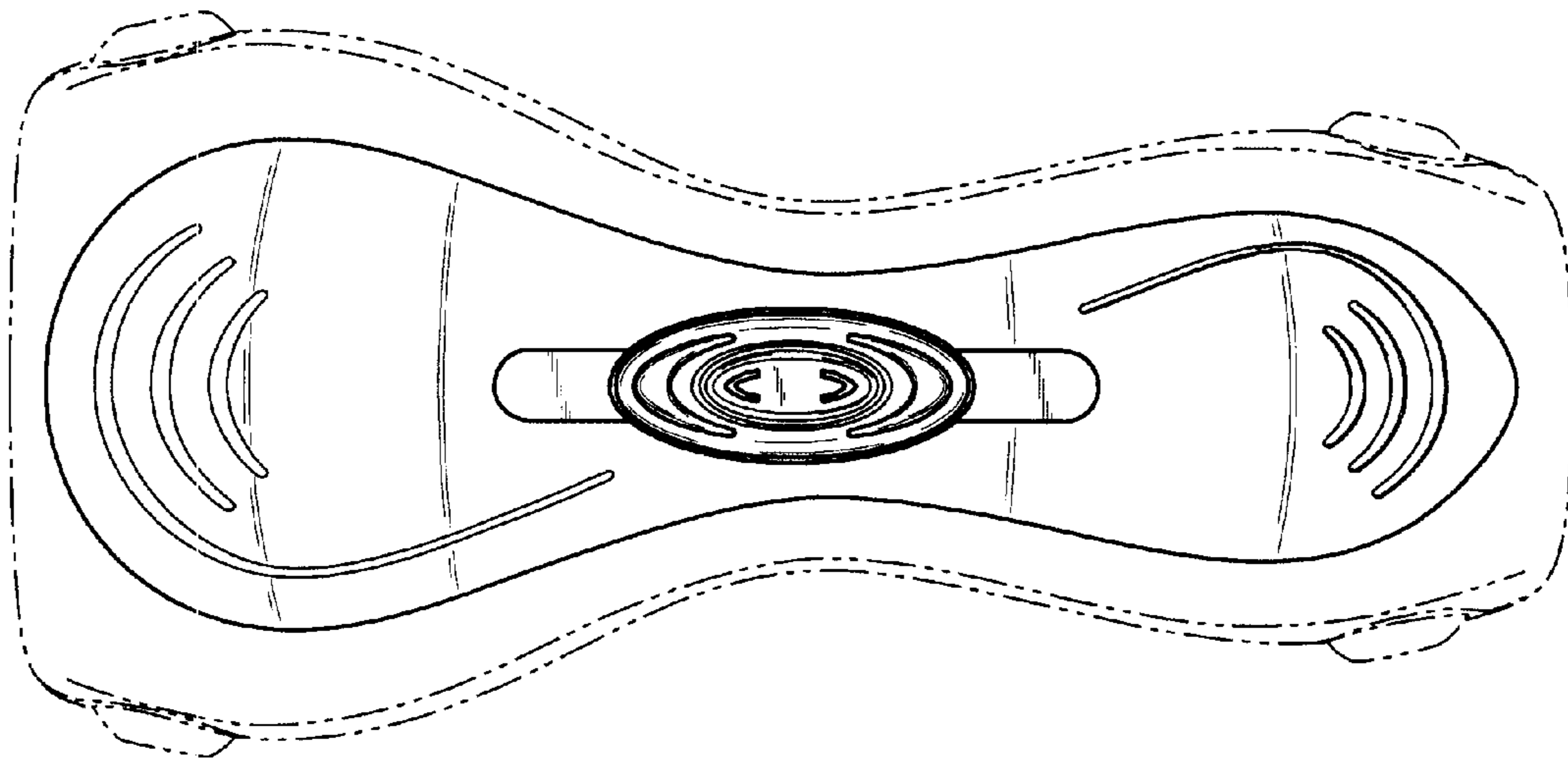
The broken lines are shown for illustrative purposes only and form no part of the claimed design.

**1 Claim, 4 Drawing Sheets**

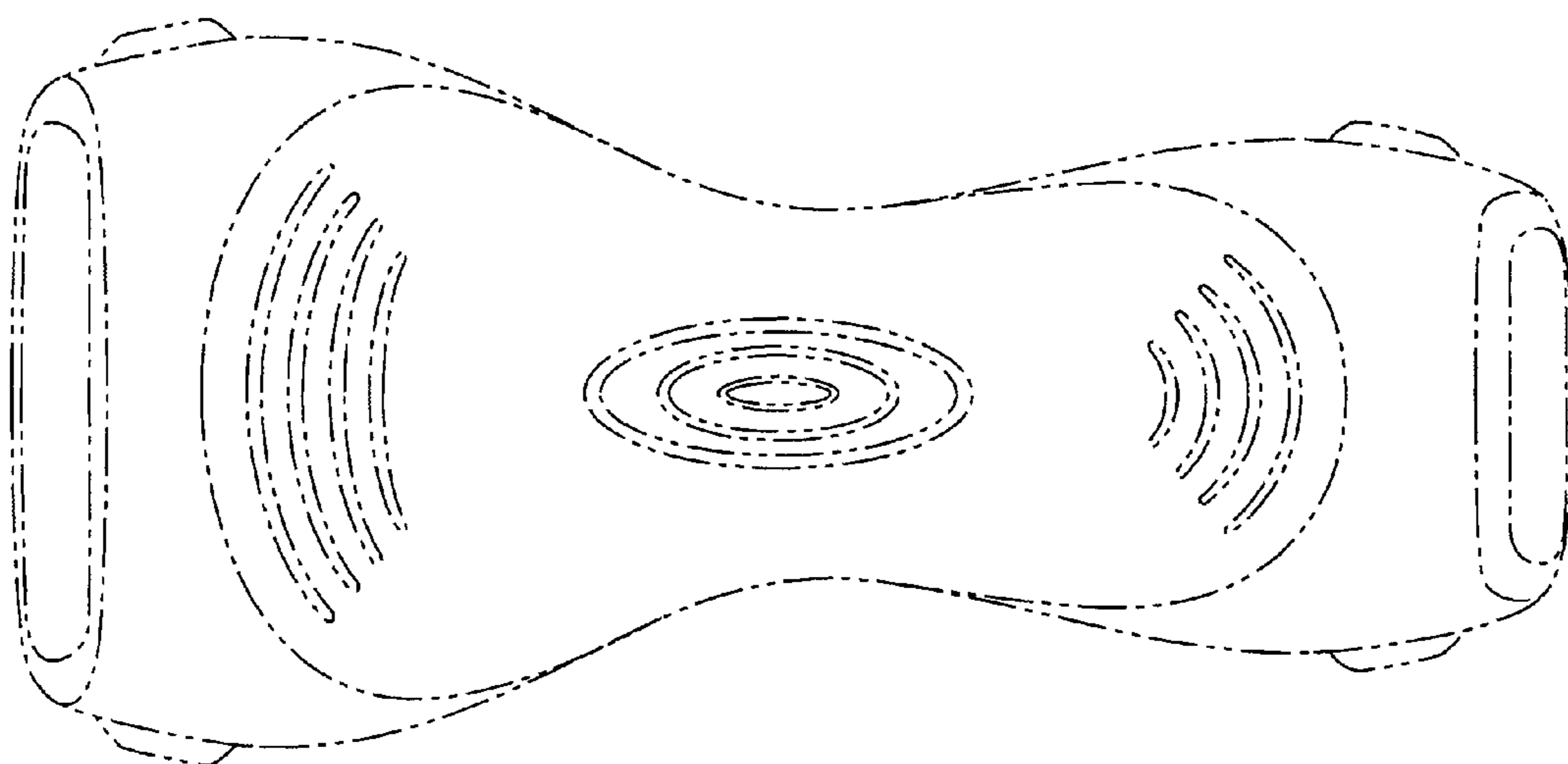




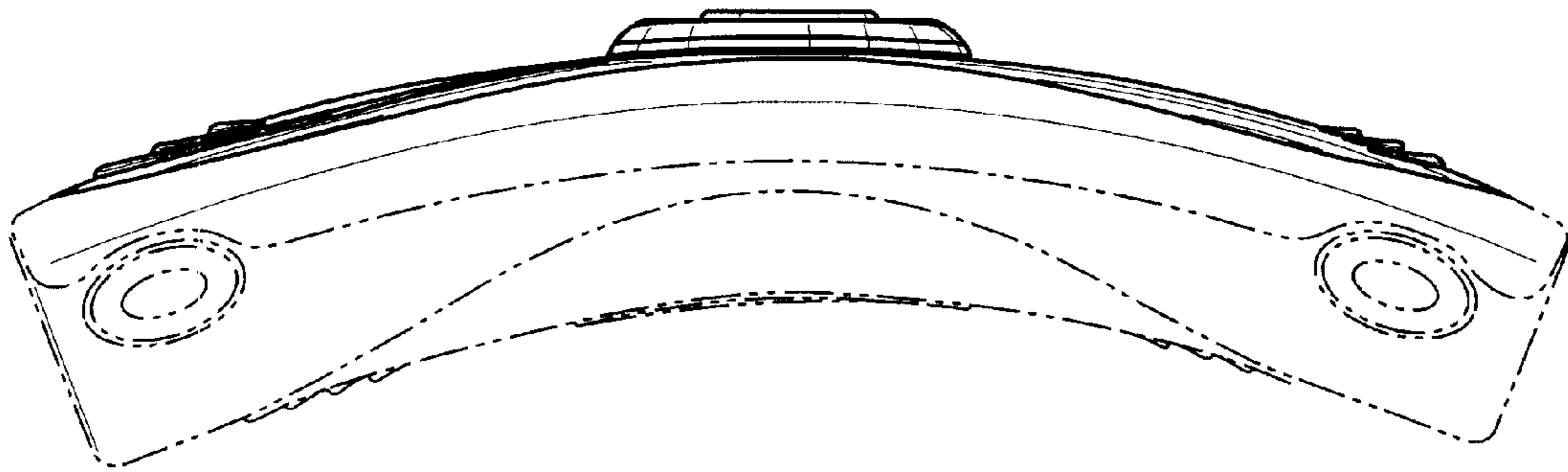
*Fig. 1*



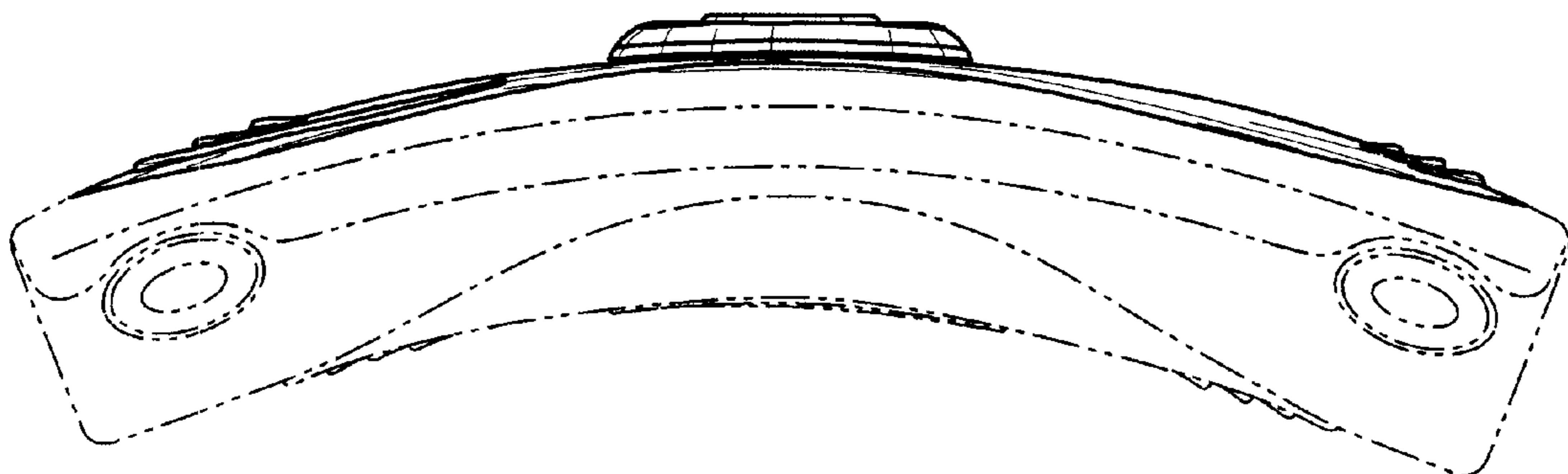
*Fig. 2*



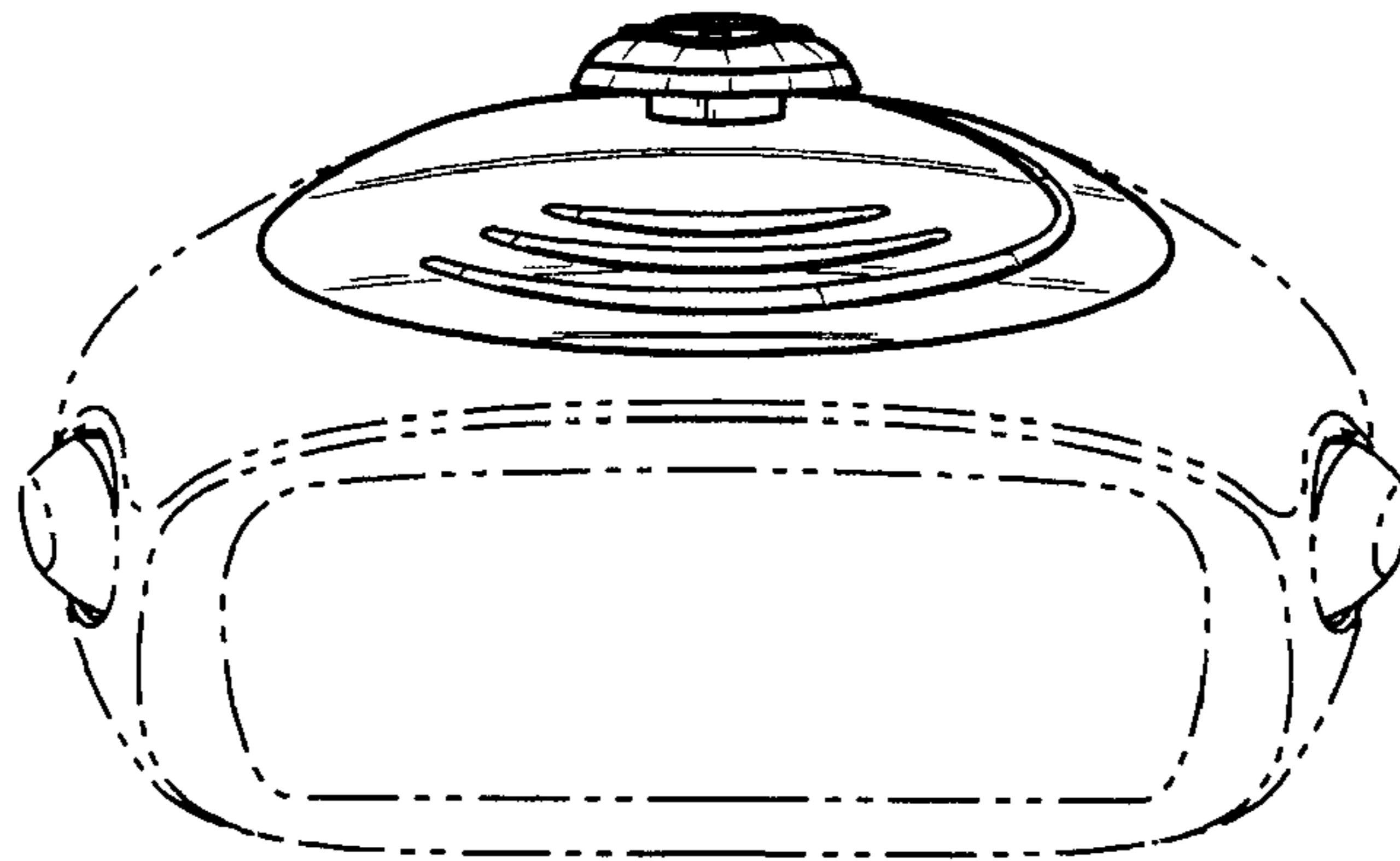
*Fig. 3*



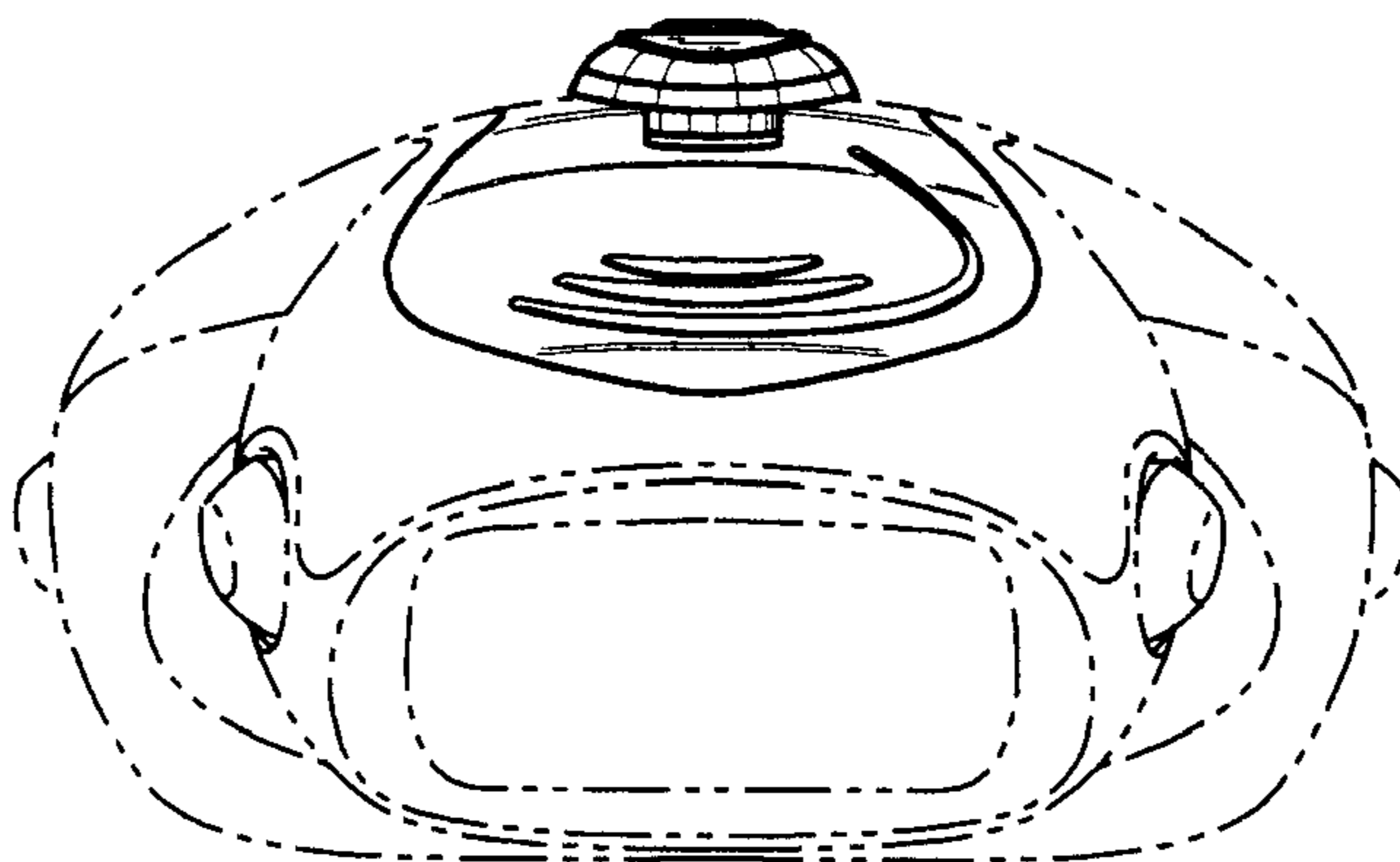
*Fig. 4*



*Fig. 5*



*Fig. 6*



*Fig. 7*