

US00D541471S

(12) **United States Design Patent**
Mitten et al.

(10) **Patent No.:** **US D541,471 S**

(45) **Date of Patent:** **** Apr. 24, 2007**

(54) **CIGARETTE MINI-PACK WITH HINGED LID**

(75) Inventors: **Robert T. Mitten**, Glen Allen, VA (US); **Scott A. Fath**, Richmond, VA (US)

(73) Assignee: **Philip Morris USA, Inc.**, Richmond, VA (US)

(**) Term: **14 Years**

(21) Appl. No.: **29/196,599**

(22) Filed: **Dec. 31, 2003**

(51) **LOC (8) Cl.** **27-06**

(52) **U.S. Cl.** **D27/189**

(58) **Field of Classification Search** D27/186-191; 206/256, 259, 265-273; 229/160.1, 108, 229/109, 120.11, 120.03; D9/430, 432, 433
See application file for complete search history.

(56) **References Cited**

U.S. PATENT DOCUMENTS

2,825,343	A	*	3/1958	Richner	206/273
2,983,424	A	*	5/1961	Glass	229/121
2,998,910	A	*	9/1961	Gillam	229/160.1
3,039,671	A	*	6/1962	Chiamardas	229/120.03
5,314,062	A	*	5/1994	Wu et al.	229/160.1
5,487,468	A	*	1/1996	Sheahan	206/242
D418,940	S	*	1/2000	Luton et al.	D27/189
D441,497	S	*	5/2001	Focke et al.	D27/189
D448,888	S	*	10/2001	Focke et al.	D27/189
D462,479	S	*	9/2002	Draghetti	D27/189
D462,805	S	*	9/2002	Draghetti	D27/189
2002/0190110	A1	*	12/2002	Polloni et al.	229/160.1

* cited by examiner

Primary Examiner—Jennifer Rivard

(74) *Attorney, Agent, or Firm*—Connolly Bove Lodge & Hutz, LLP

(57) **CLAIM**

An ornamental design for a cigarette mini-pack with hinged lid, as shown and described.

DESCRIPTION

FIG. 1 is a perspective view of a cigarette mini-pack with hinged lid and beveled corners, showing our new design; FIG. 2 is a front elevational view of a cigarette package comprising a pair of the mini-packs of FIG. 1 before being overwrapped;

FIG. 3 is a right side elevational view thereof, the left side elevational view being a mirror image duplicate;

FIG. 4 is a rear elevational view thereof;

FIG. 5 is a top plan view thereof, the bottom plan view being identical;

FIG. 6 is a perspective view of the cigarette mini-pack of FIG. 1 with the lid partially open;

FIG. 7 is a perspective view of a cigarette package comprising a pair of the mini-packs of FIG. 1 with overwrap and a tear strip;

FIG. 8 is a perspective view of an alternative embodiment of a cigarette mini-pack with hinge lid and rounded corners, showing our new design;

FIG. 9 is a front elevational view thereof;

FIG. 10 is a right side elevational view thereof, the left side elevational view being a mirror image duplicate;

FIG. 11 is a rear elevational view thereof;

FIG. 12 is a top plan view thereof, the bottom plan view being identical; and,

FIG. 13 is a perspective view of a cigarette package comprising a pair of the mini-packs shown in FIG. 8 with overwrap and a tear strip.

1 Claim, 3 Drawing Sheets

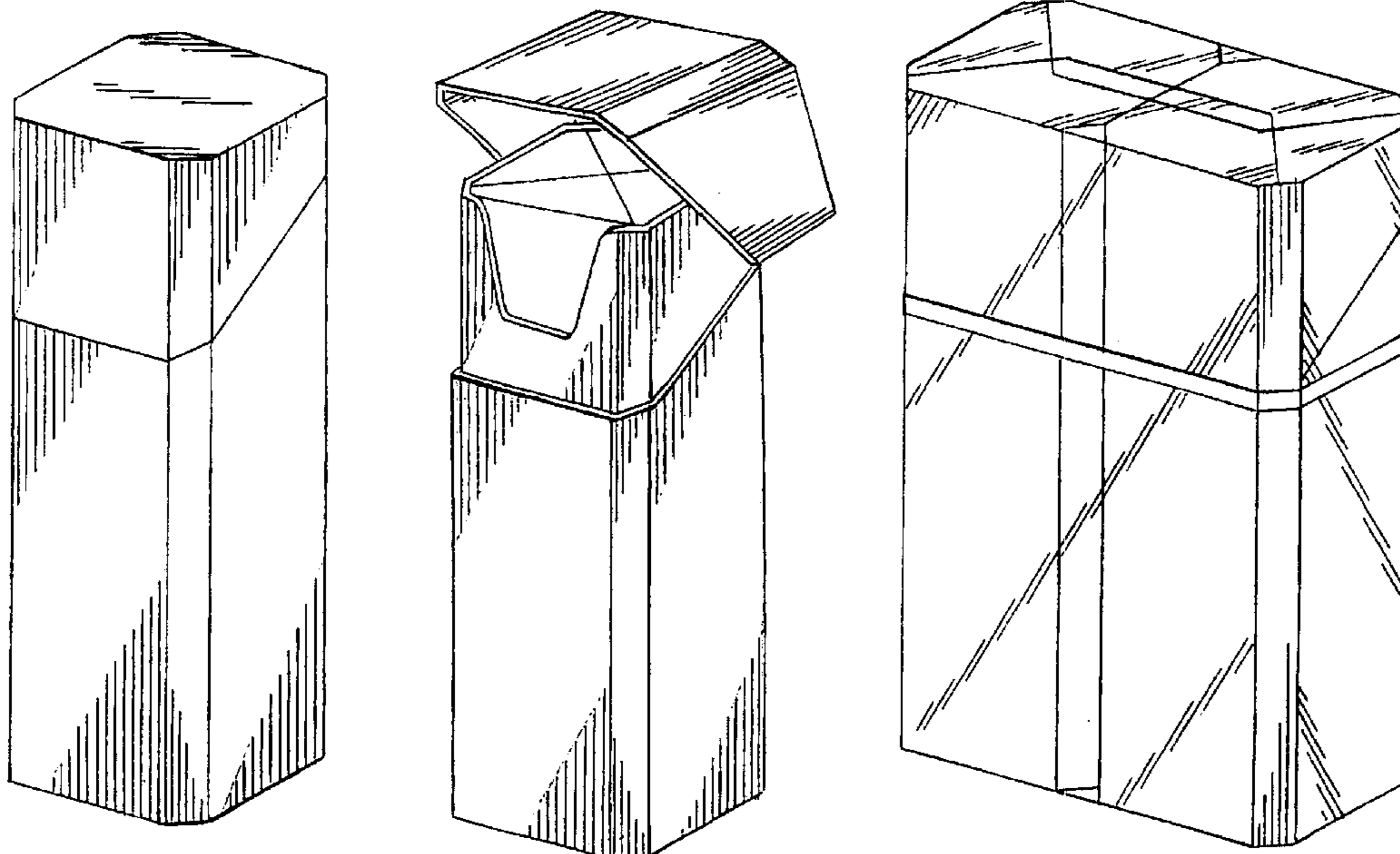


Fig. 5.

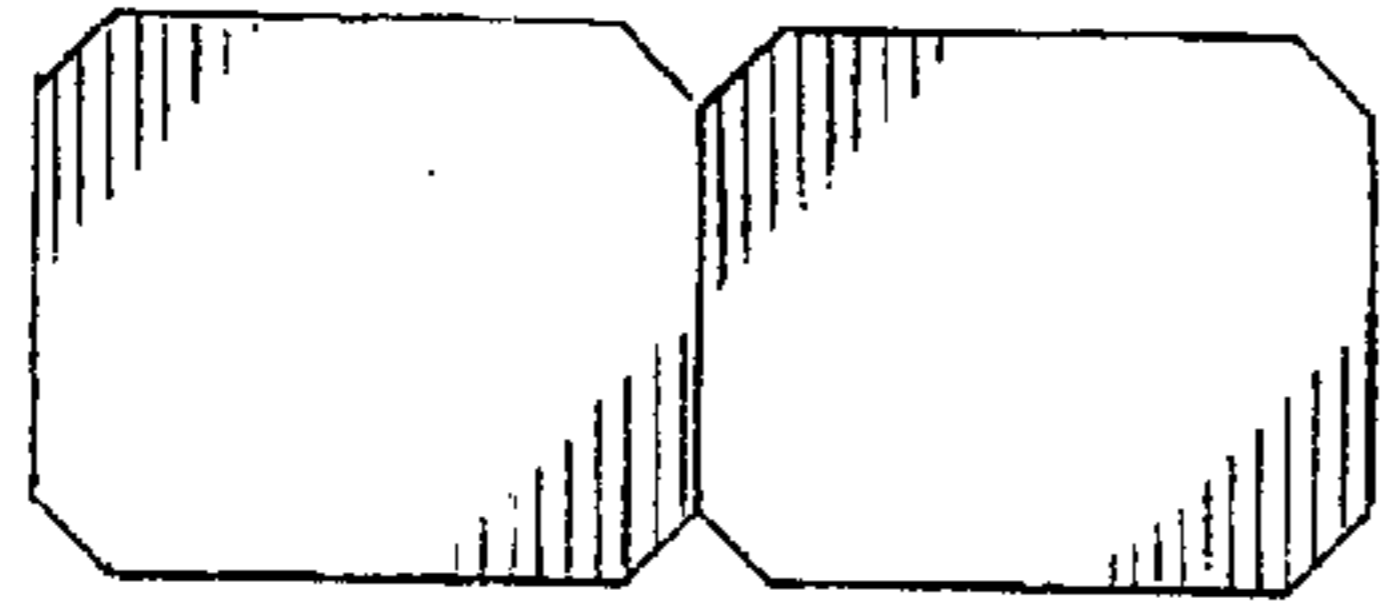


Fig. 2.

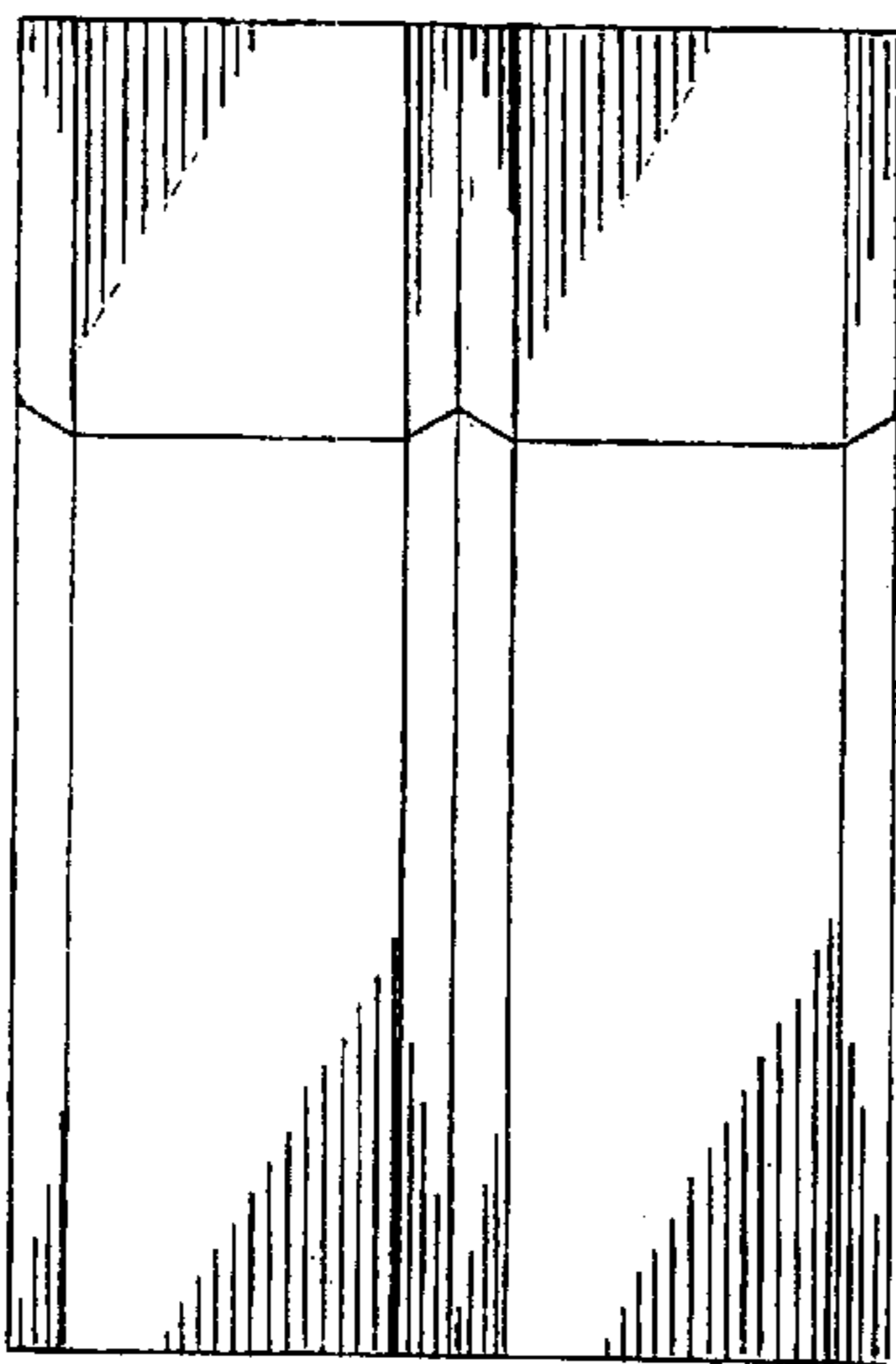


Fig. 3.

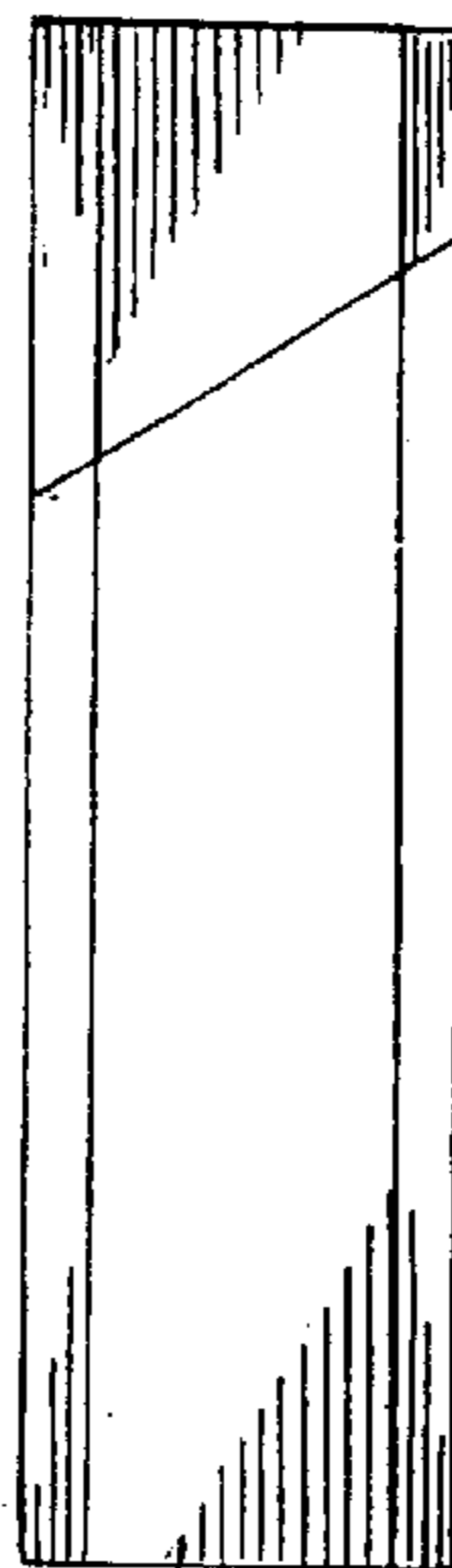


Fig. 4.

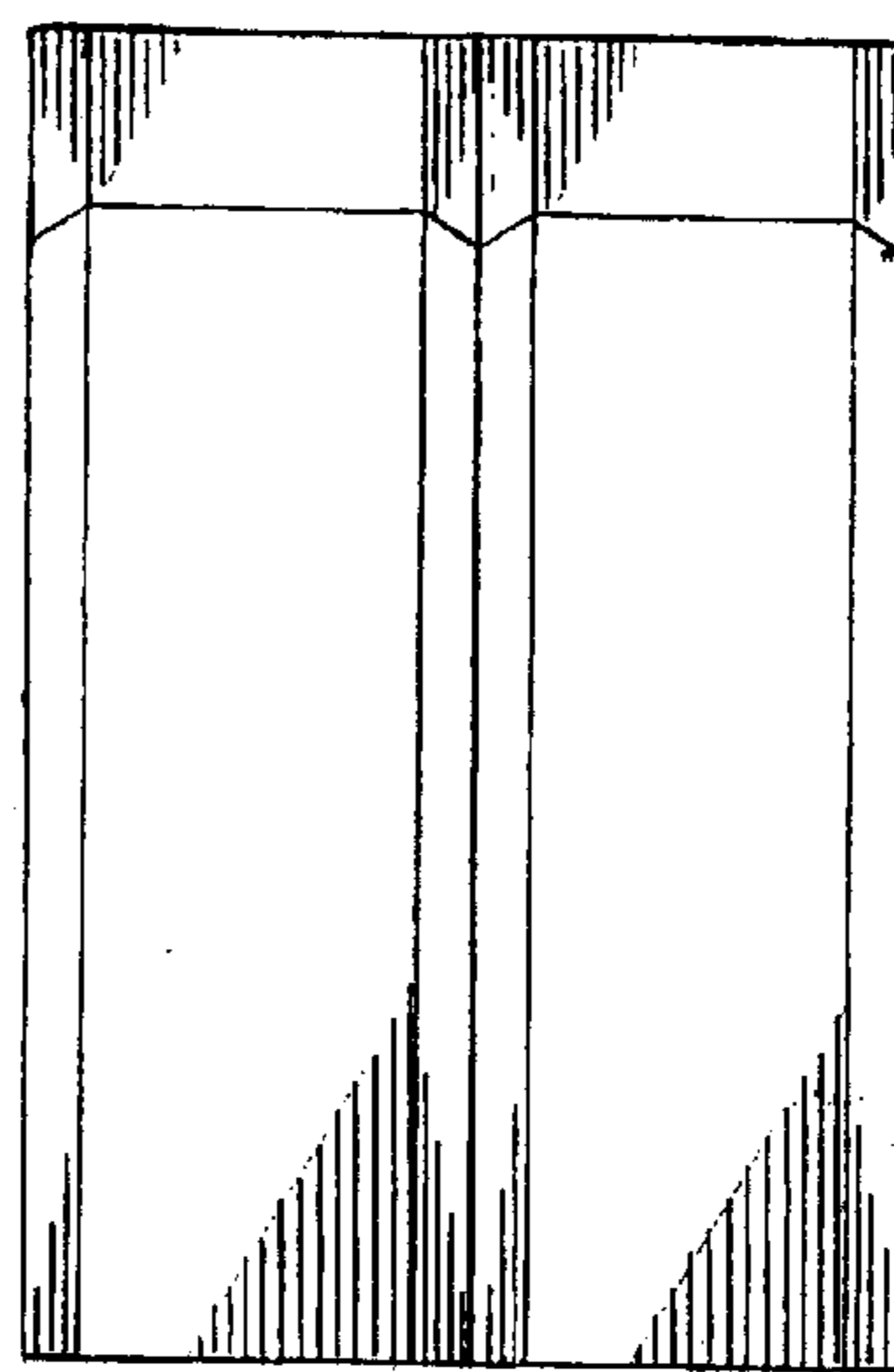


Fig. 1.

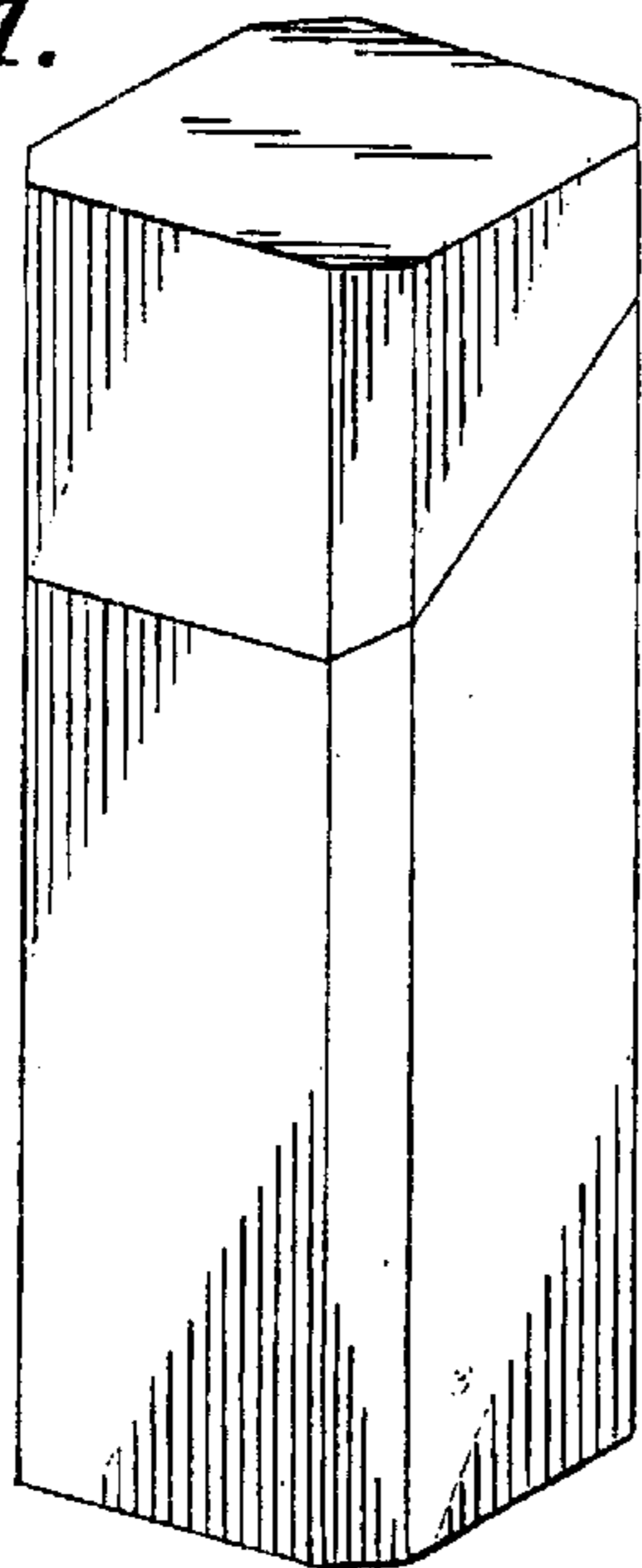


Fig. 6.

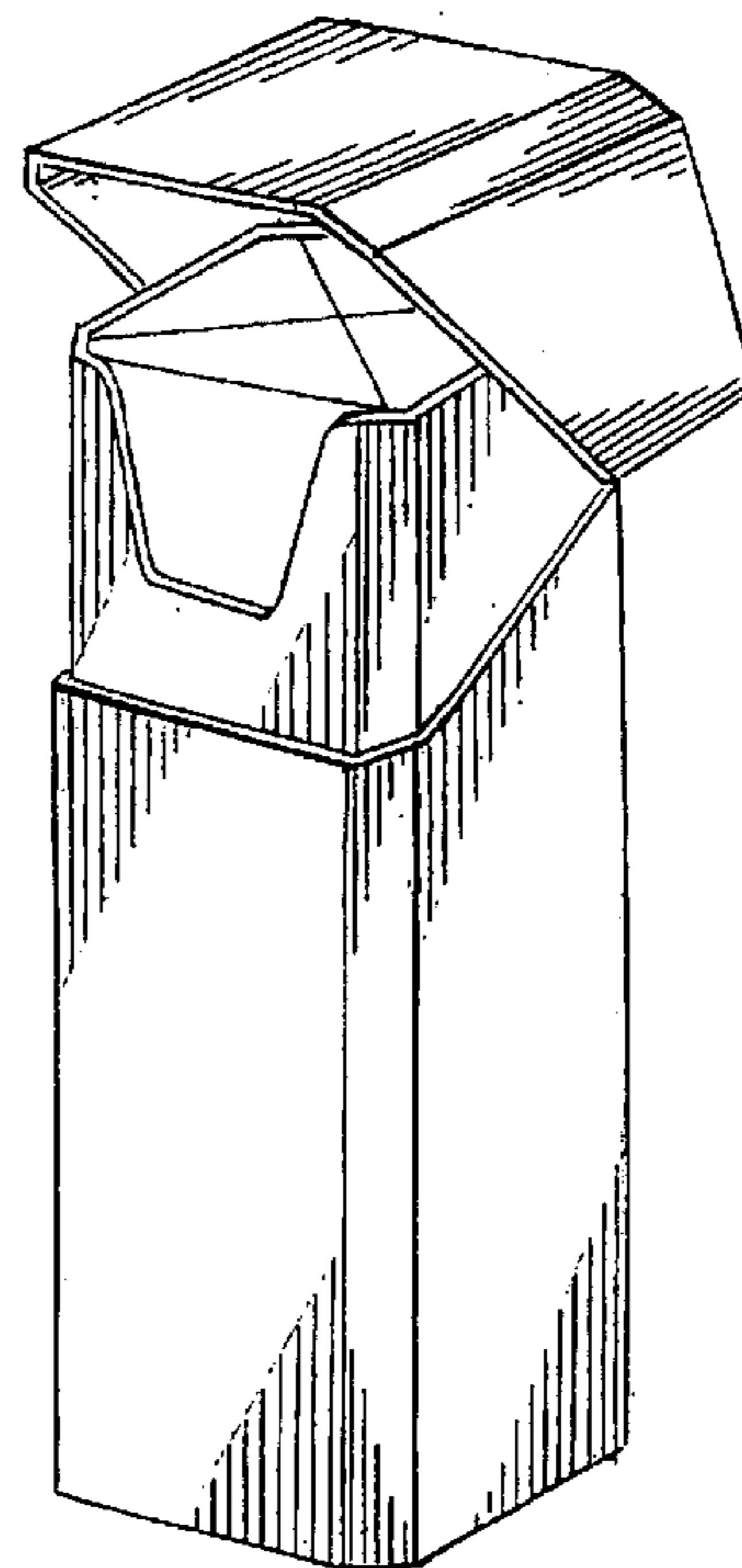


Fig. 7.

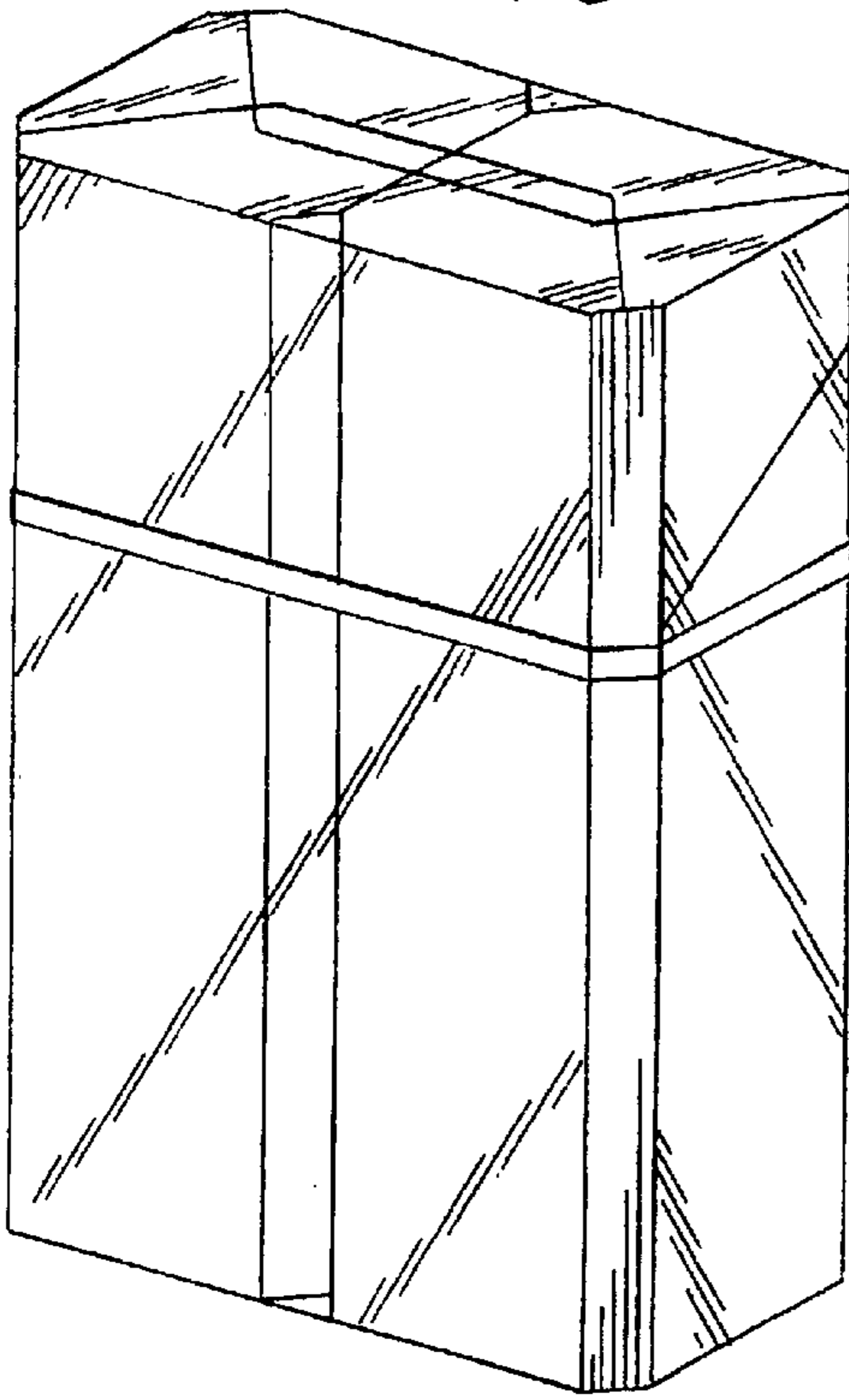


Fig. 13.

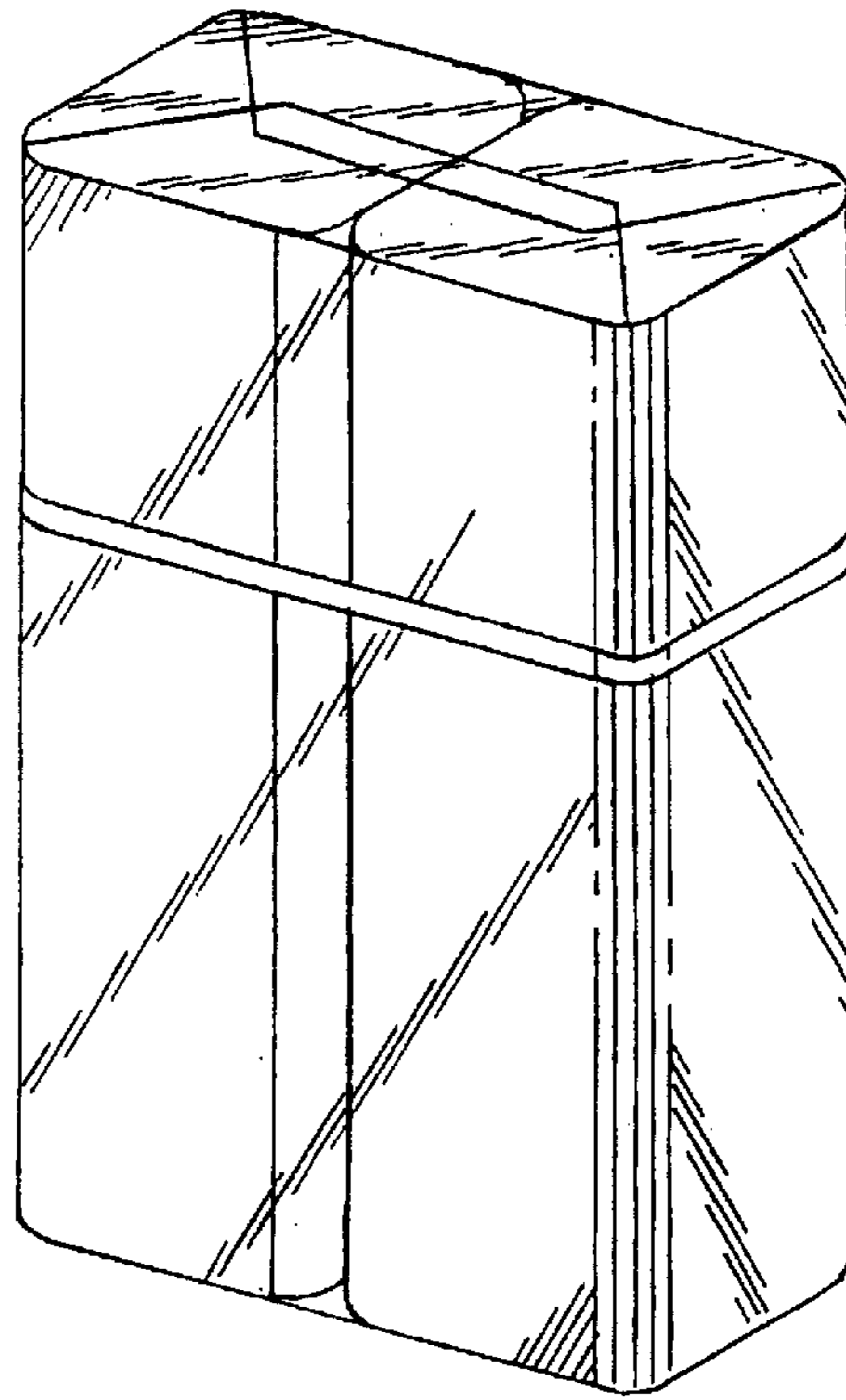


Fig. 12.

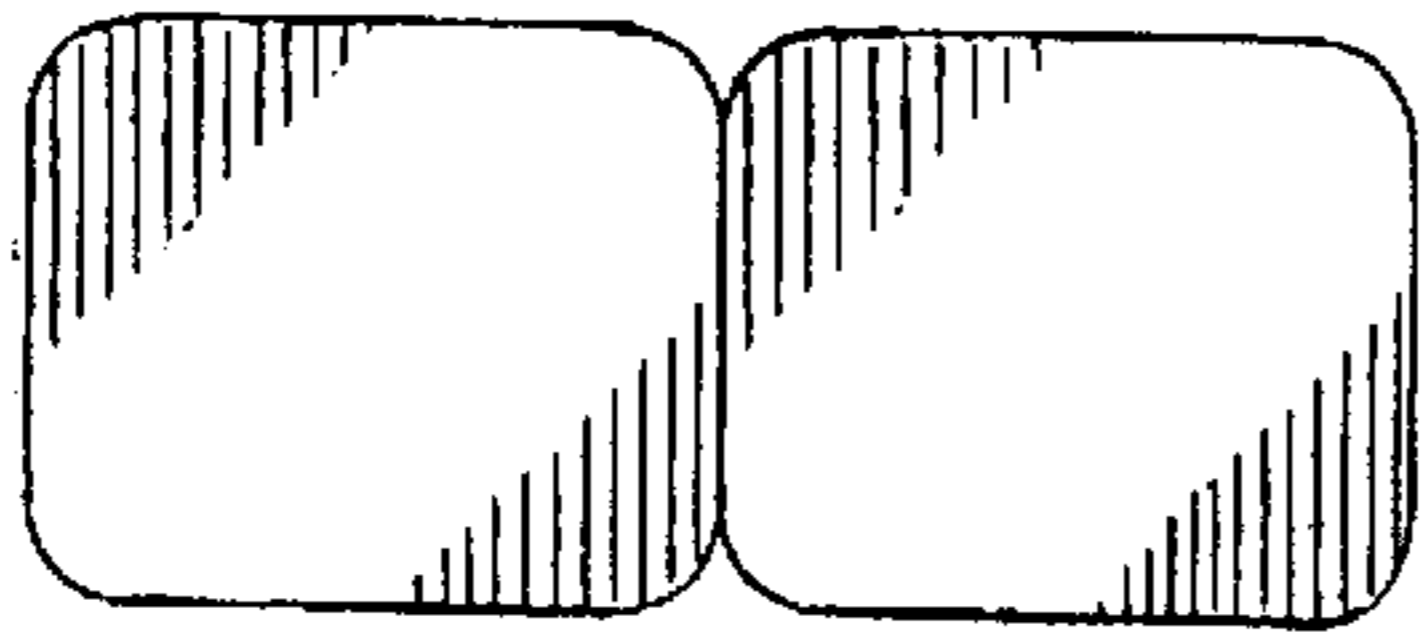


Fig. 9.

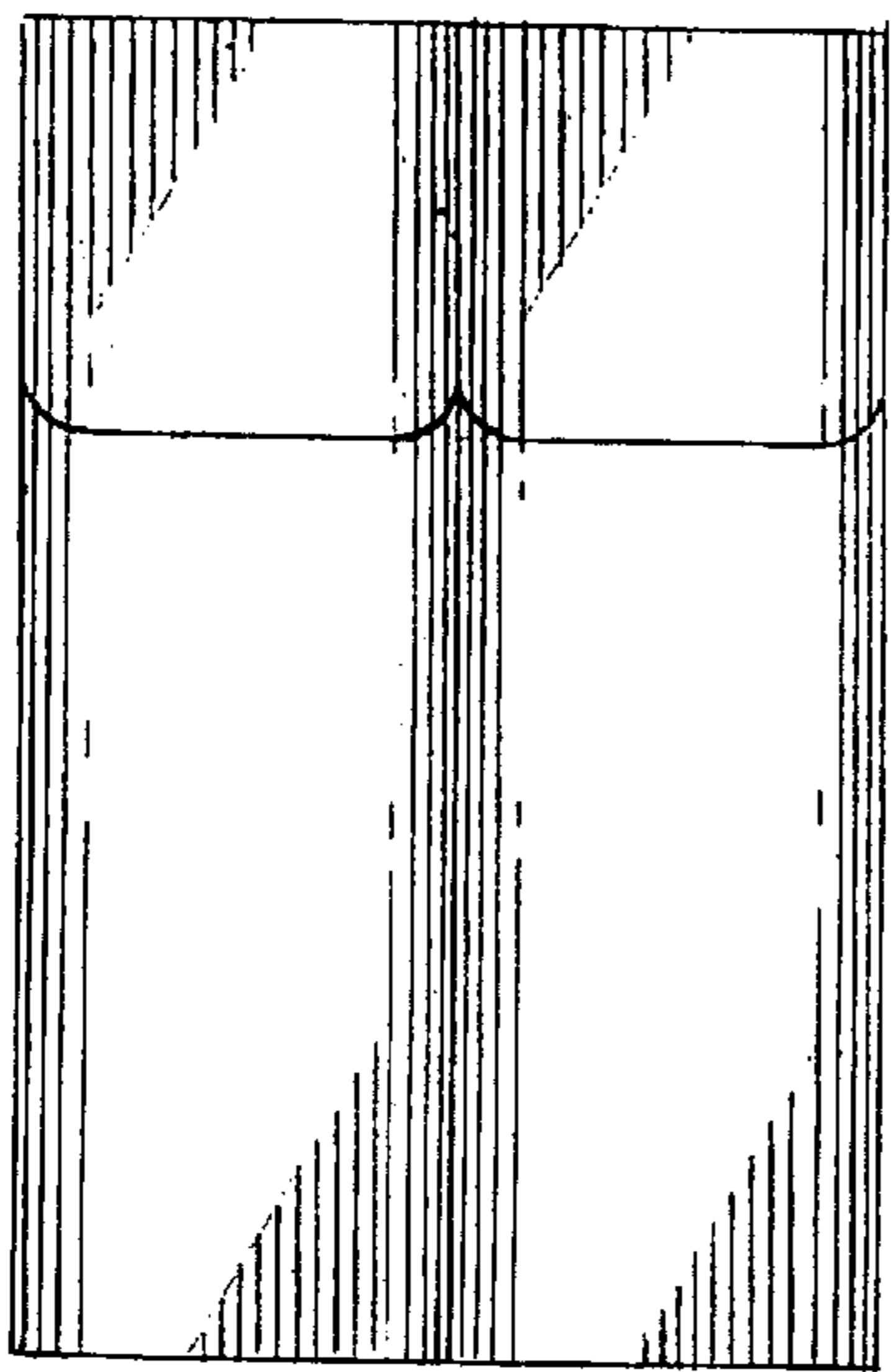


Fig. 10.

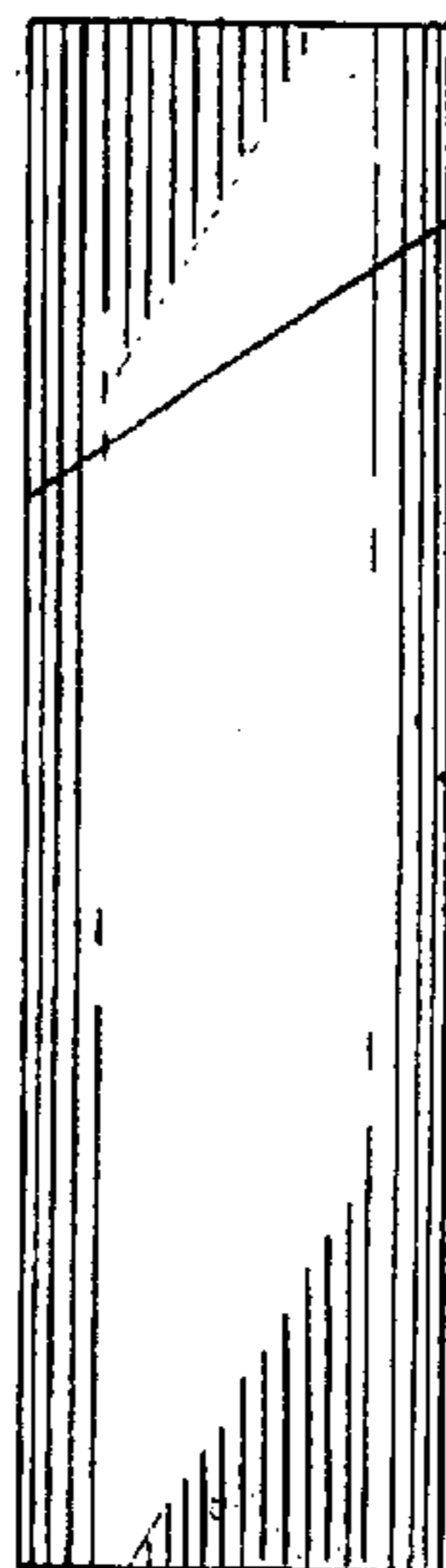


Fig. 11.

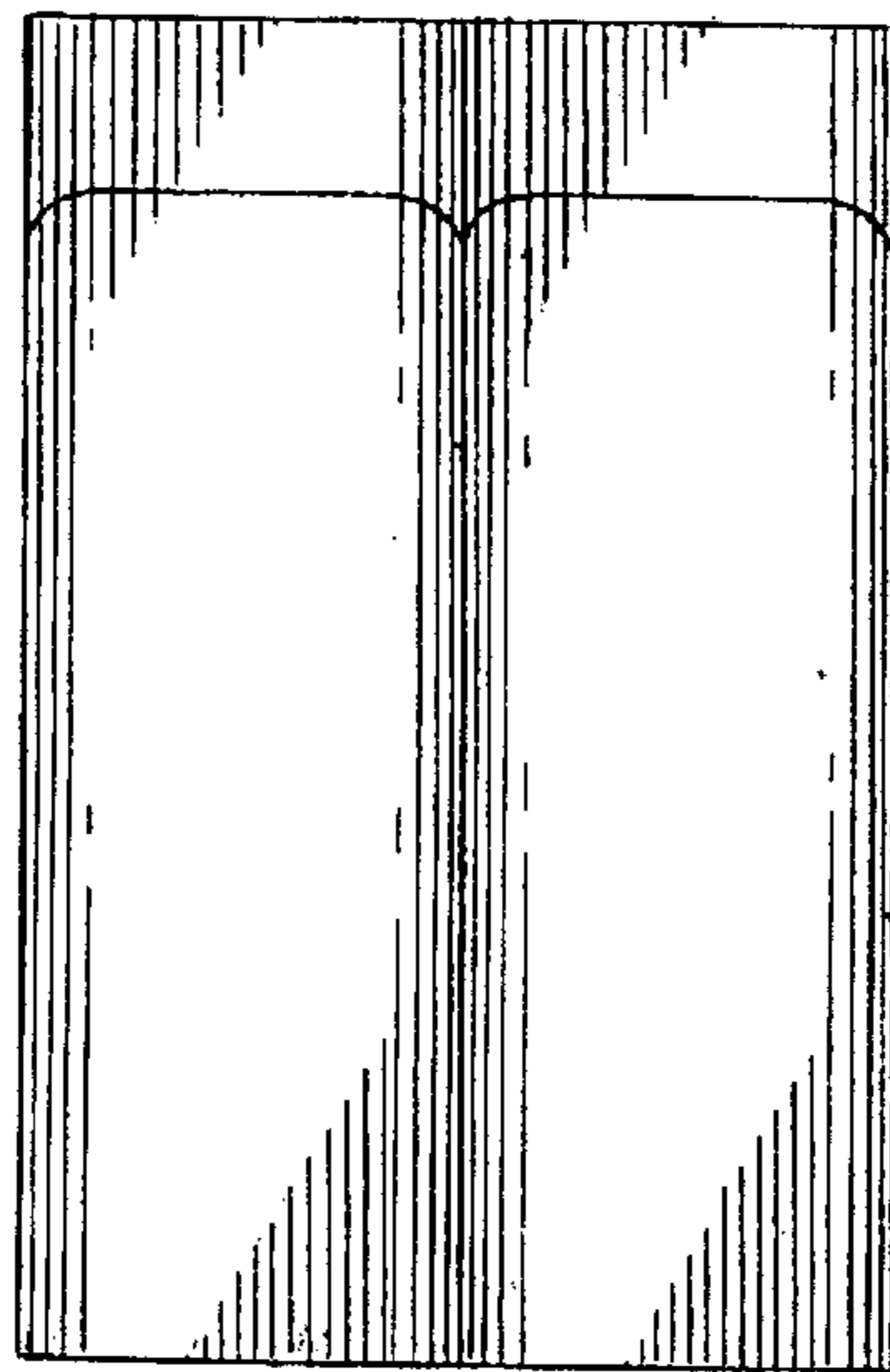


Fig. 8.

