

US00D541469S

(12) **United States Design Patent**  
**Layne**

(10) **Patent No.:** **US D541,469 S**

(45) **Date of Patent:** **\*\* Apr. 24, 2007**

(54) **PENDANT LIGHT**

(75) Inventor: **Bruce N. Layne**, Wheaton, IL (US)

(73) Assignee: **Juno Manufacturing, Inc.**, Des  
Plaines, IL (US)

(\*\*) Term: **14 Years**

(21) Appl. No.: **29/236,334**

(22) Filed: **Aug. 15, 2005**

(51) **LOC (8) Cl.** ..... **26-99**

(52) **U.S. Cl.** ..... **D26/128**

(58) **Field of Classification Search** ..... D26/131,  
D26/135, 86, 90, 85, 84, 81, 128, 88, 142,  
D26/132, 134, 92, 72, 23, 24, 68, 79, 83,  
D26/113, 118, 119, 137; 362/257, 266, 317,  
362/350, 340, 351, 355, 356, 362, 363  
See application file for complete search history.

(56) **References Cited**

**U.S. PATENT DOCUMENTS**

D43,074 S	*	9/1912	Watkins	.....	D26/134
1,299,936 A	*	4/1919	Harrison	.....	362/311
1,371,761 A	*	3/1921	Halvorson, Jr.	.....	362/343
D62,542 S	*	6/1923	Anderson	.....	D26/88
D79,410 S	*	9/1929	Ohm	.....	D26/132
D80,225 S	*	12/1929	Halvorson, Jr.	.....	D26/128
D86,989 S	*	5/1932	Ainsworth	.....	D26/88
D87,923 S	*	10/1932	Hoffman	.....	D26/88
D109,661 S	*	5/1938	Hoeverler	.....	D26/88
D389,943 S	*	1/1998	Miranda	.....	D26/88
D390,998 S	*	2/1998	Markee	.....	D26/85
D391,000 S	*	2/1998	Markee	.....	D26/86
D432,257 S	*	10/2000	Ewing	.....	D26/85

D432,701 S	*	10/2000	Hsieh	.....	D26/90
D432,710 S	*	10/2000	Johnson	.....	D26/142
D438,332 S	*	2/2001	Pratt	.....	D26/131
D445,528 S	*	7/2001	Nicholas	.....	D26/84
D448,108 S	*	9/2001	Hoffbauer	.....	D26/128
D476,770 S	*	7/2003	Brunner	.....	D26/86
D481,157 S	*	10/2003	Fickas et al.	.....	D26/128
D489,474 S	*	5/2004	Brunner	.....	D26/84
D494,310 S	*	8/2004	Cline et al.	.....	D26/128

\* cited by examiner

*Primary Examiner*—Freda S. Nunn

*Assistant Examiner*—Kevin K. Rudzinski

(74) *Attorney, Agent, or Firm*—Sonnenschein Nath &  
Rosenthal LLP

(57) **CLAIM**

The ornamental design for a pendant light, as shown and described.

**DESCRIPTION**

FIG. 1 is a perspective view of a pendant light showing the new design;

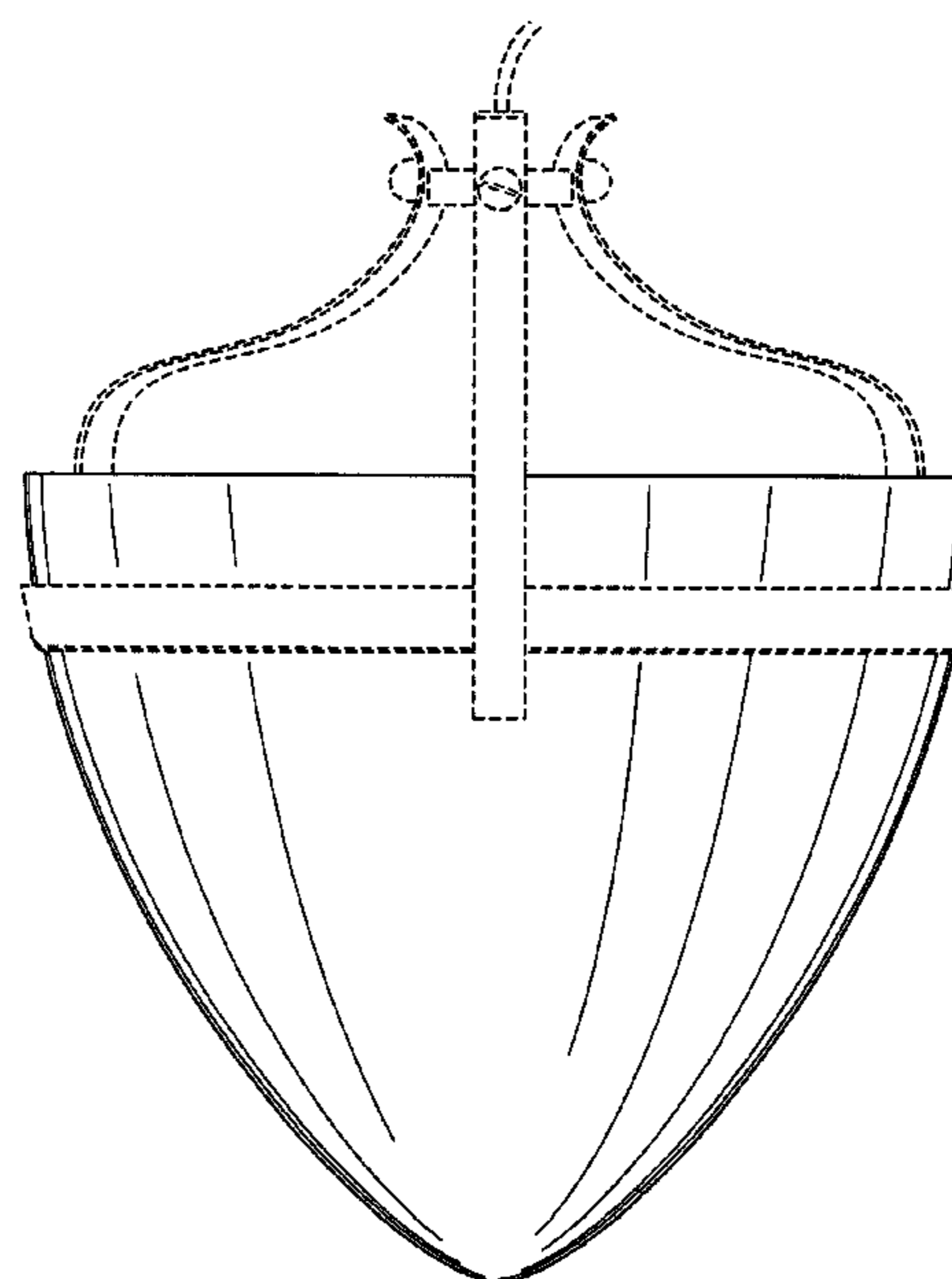
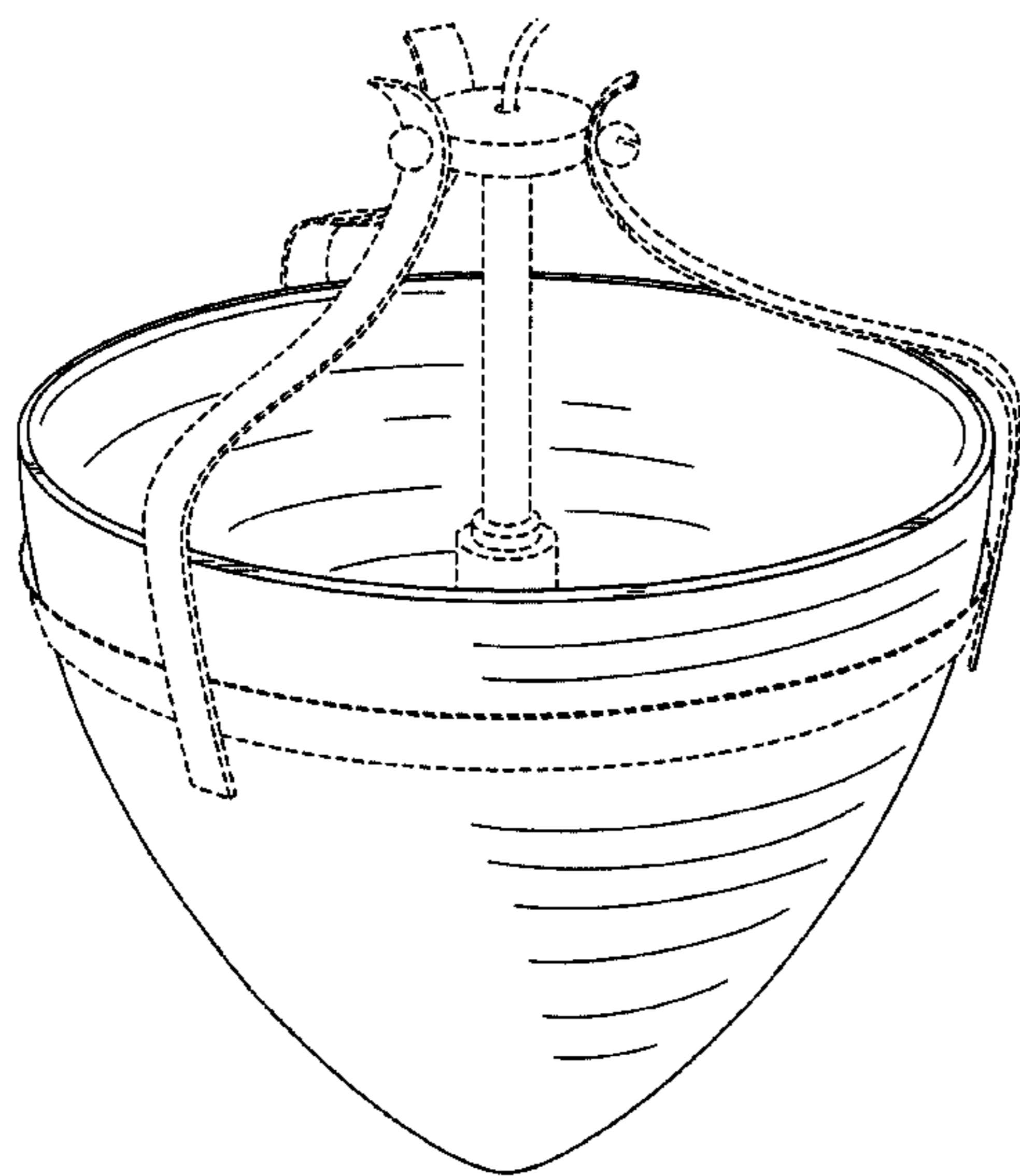
FIG. 2 is a side elevational view of the pendant light as shown in FIG. 1;

FIG. 3 is an opposite side elevational view of the pendant light as shown in FIG. 1; and,

FIG. 4 is a bottom view of the pendant light as shown in FIG. 1.

Features shown in dashed lines immediately adjacent the shaded areas or adjacent the solid lines represent the bounds of the claim and all other dashed lines are for illustrative purposes only. None of the dashed lines form a part of the claimed design.

**1 Claim, 2 Drawing Sheets**



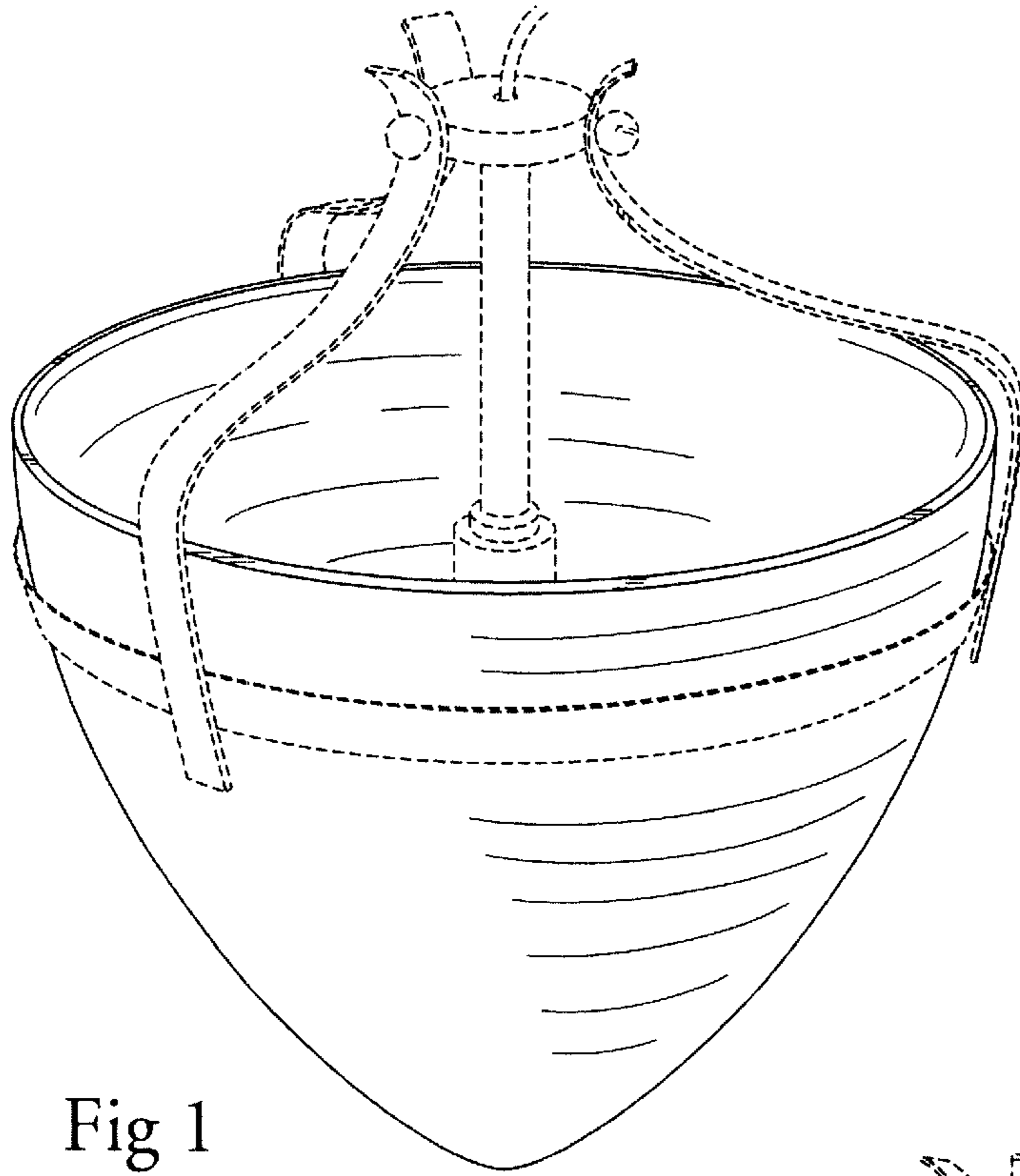


Fig 1

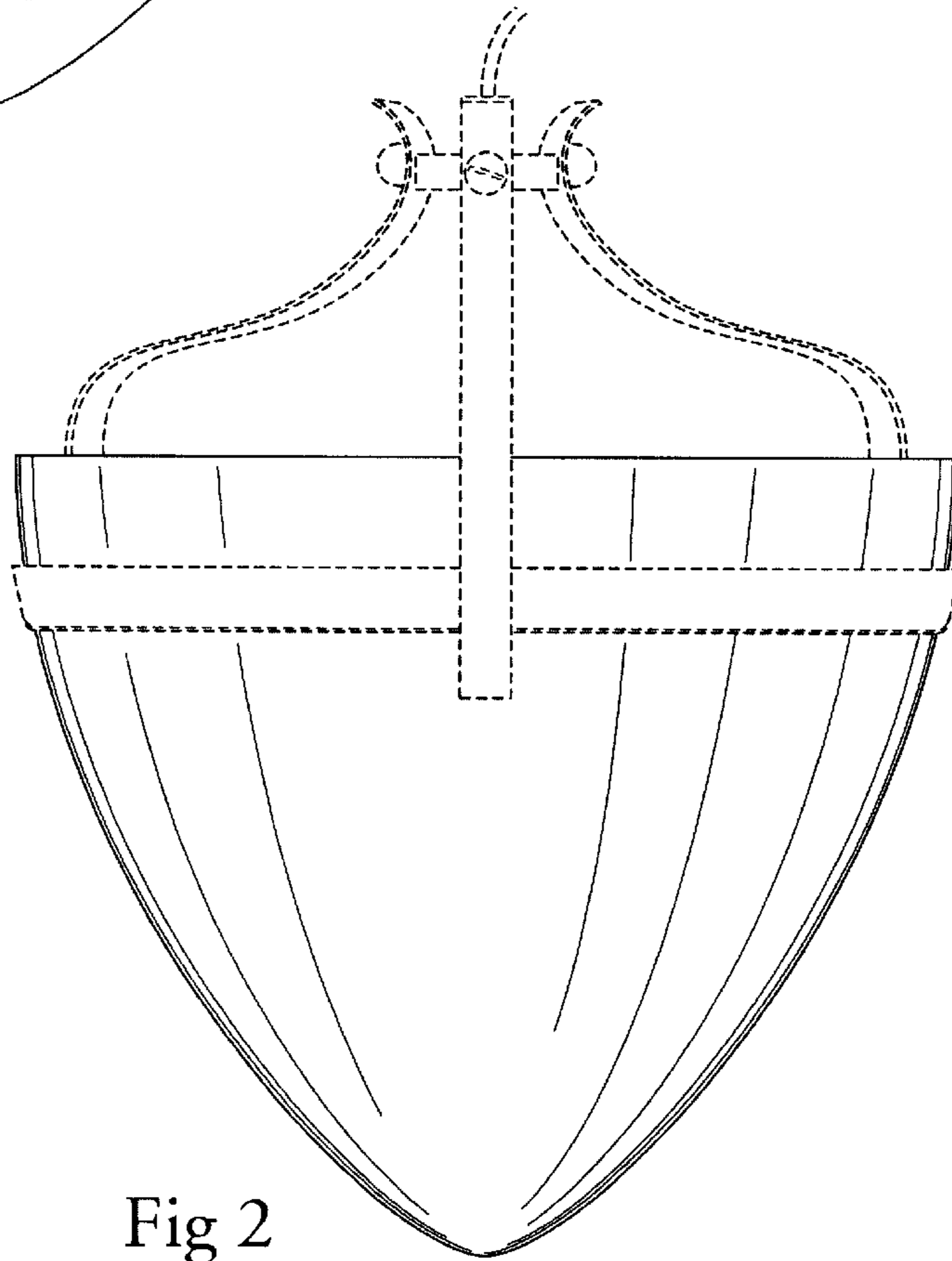


Fig 2

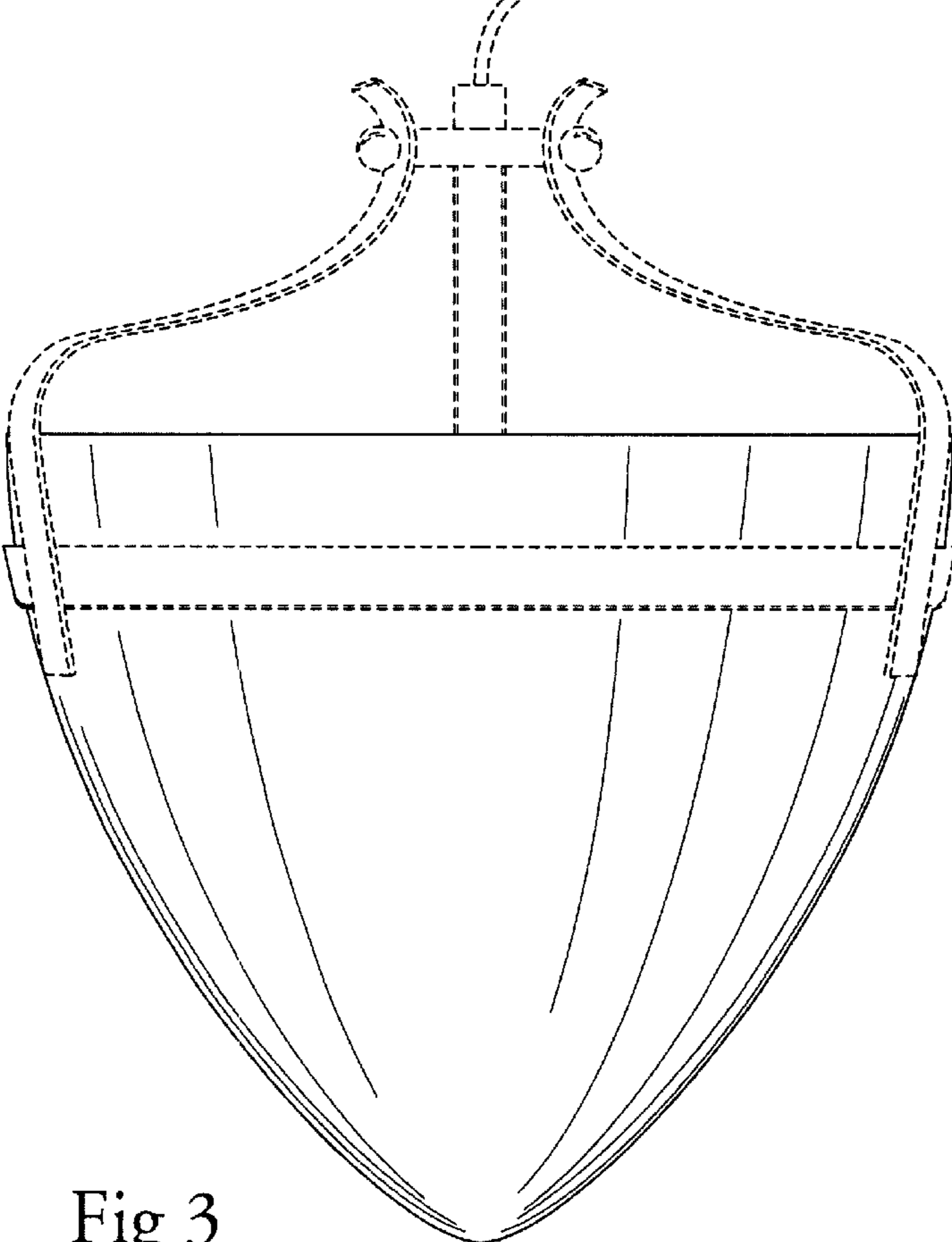


Fig 3

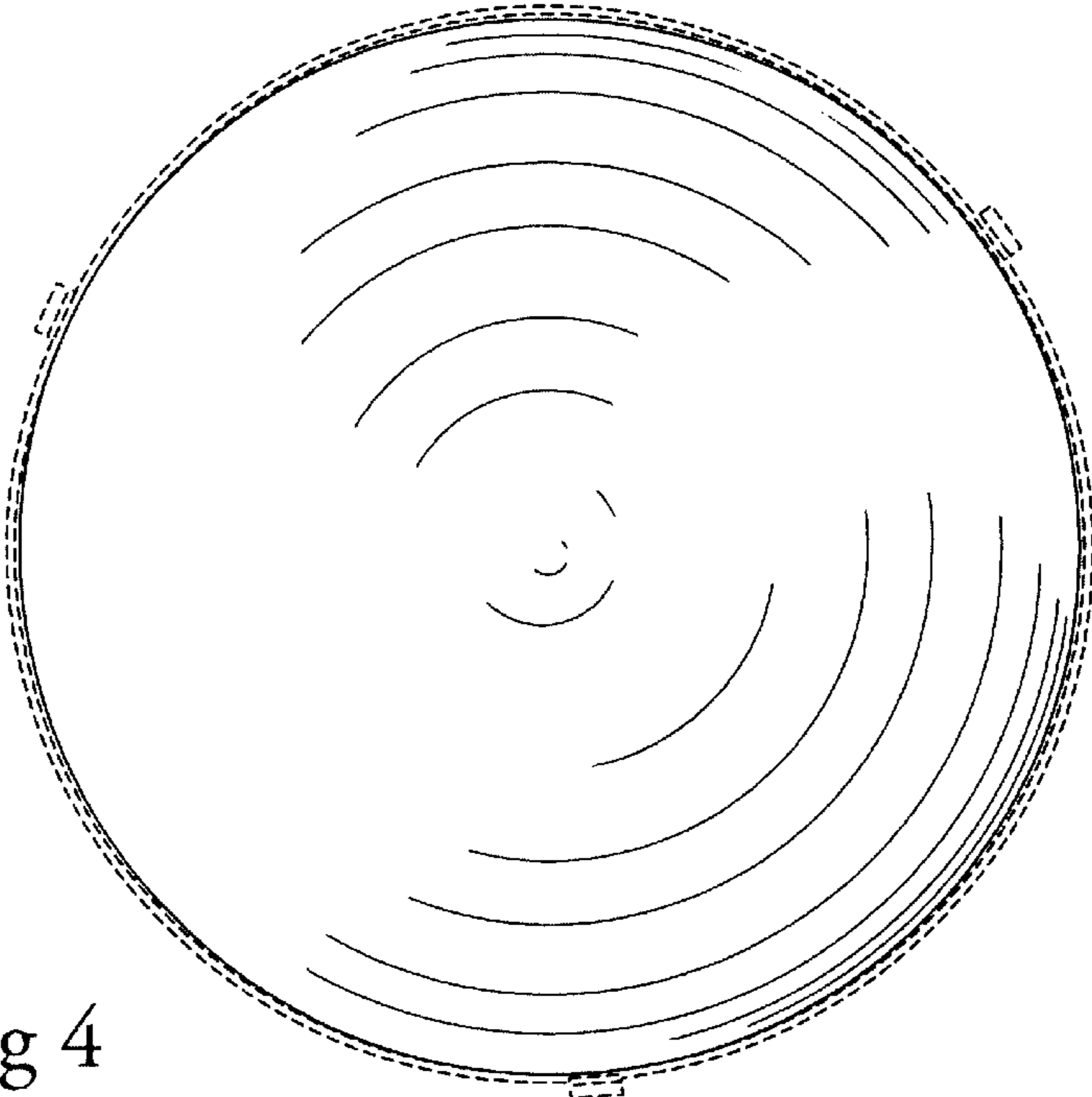


Fig 4