



US00D541468S

(12) **United States Design Patent**  
**Mayfield, III et al.**

(10) **Patent No.:** **US D541,468 S**

(45) **Date of Patent:** **\*\* Apr. 24, 2007**

(54) **LIGHT FIXTURE LENS**

(75) Inventors: **John T. Mayfield, III**, Loganville, GA (US); **Gary D. Trott**, Eatonton, GA (US); **Carl T. Gould**, Boulder, CO (US); **Christopher L. Sharp**, Conyers, GA (US)

(73) Assignee: **Acuity Brands, Inc.**, Atlanta, GA (US)

(\*\*) Term: **14 Years**

(21) Appl. No.: **29/215,614**

(22) Filed: **Oct. 21, 2004**

(51) **LOC (8) Cl.** ..... **26-99**

(52) **U.S. Cl.** ..... **D26/120**

(58) **Field of Classification Search** ..... D26/120,  
D26/78, 87, 113, 131, 121, 122, 119, 118,  
D26/77, 75, 76, 128; 362/217, 223, 263,  
362/225, 364, 224, 218, 147, 257, 317; D13/184,  
D13/110

See application file for complete search history.

(56) **References Cited**

U.S. PATENT DOCUMENTS

|           |   |   |        |                |       |           |
|-----------|---|---|--------|----------------|-------|-----------|
| 2,643,328 | A | * | 6/1953 | Elmendorf      | ..... | 362/224   |
| D180,611  | S | * | 7/1957 | McPhail        | ..... | D26/122   |
| 2,852,663 | A |   | 9/1958 | Stuffer et al. | ..... | 240/51.11 |
| 3,132,813 | A | * | 5/1964 | Izzi et al.    | ..... | 362/224   |

(Continued)

OTHER PUBLICATIONS

Lithonia Lighting, an Acuity Brands Company, Product Selection Guide, 8<sup>th</sup> ed. p. 14–93, 112–115.

Lithonia Lighting, an Acuity Brands Company, Direct/Indirect Lighting, pp. 1–15 (2002).

Lithonia Lighting, an Acuity Brands Company, Avante Recessed Direct/Indirect Lighting, pp. 1–3 (1997).

Lithonia Lighting, an Acuity Brands Company, Architectural Fluorescent Recessed Direct/Indirect Lighting, pp. 1–13 (1999).

Genlyte/Thomas, Lightolier, Alter Soft Lights, pp. 1–67 (2003).

Cooper Lighting, Metalux, p. 1–8 (1999).

Columbia Lighting, Stratus, pp. 1–9, (1998).

Focal Point, Luna, pp. 1–5 (1997).

Lithonia Lighting, an Acuity Brands Company, Product Selection Guide, 8<sup>th</sup> Edition, pp. 1–620 (2003).

Peerless–Lighting, Parallels, pp. 1–2 (2005).

Lithonia Lighting, an Acuity Brands Company, Avante, Recessed Direct/Indirect Lighting, pp. 1–4 (1996).

Lithonia Lighting, an Acuity Brands Company, Avante, Direct/Indirect General Lighting System, pp. 1–2 (1995).

Lightolier, CFI Fluorescent, Alter Soft Lights, 1–8 (1996).

Alter, pp. 1–6 (1994).

*Primary Examiner*—Freda S. Nunn

*Assistant Examiner*—Kevin K. Rudzinski

(74) *Attorney, Agent, or Firm*—Needle & Rosenberg, P.C.

(57) **CLAIM**

The ornamental design for a light fixture lens, as shown and described.

**DESCRIPTION**

FIG. 1 is a perspective view of a light fixture lens of the present invention;

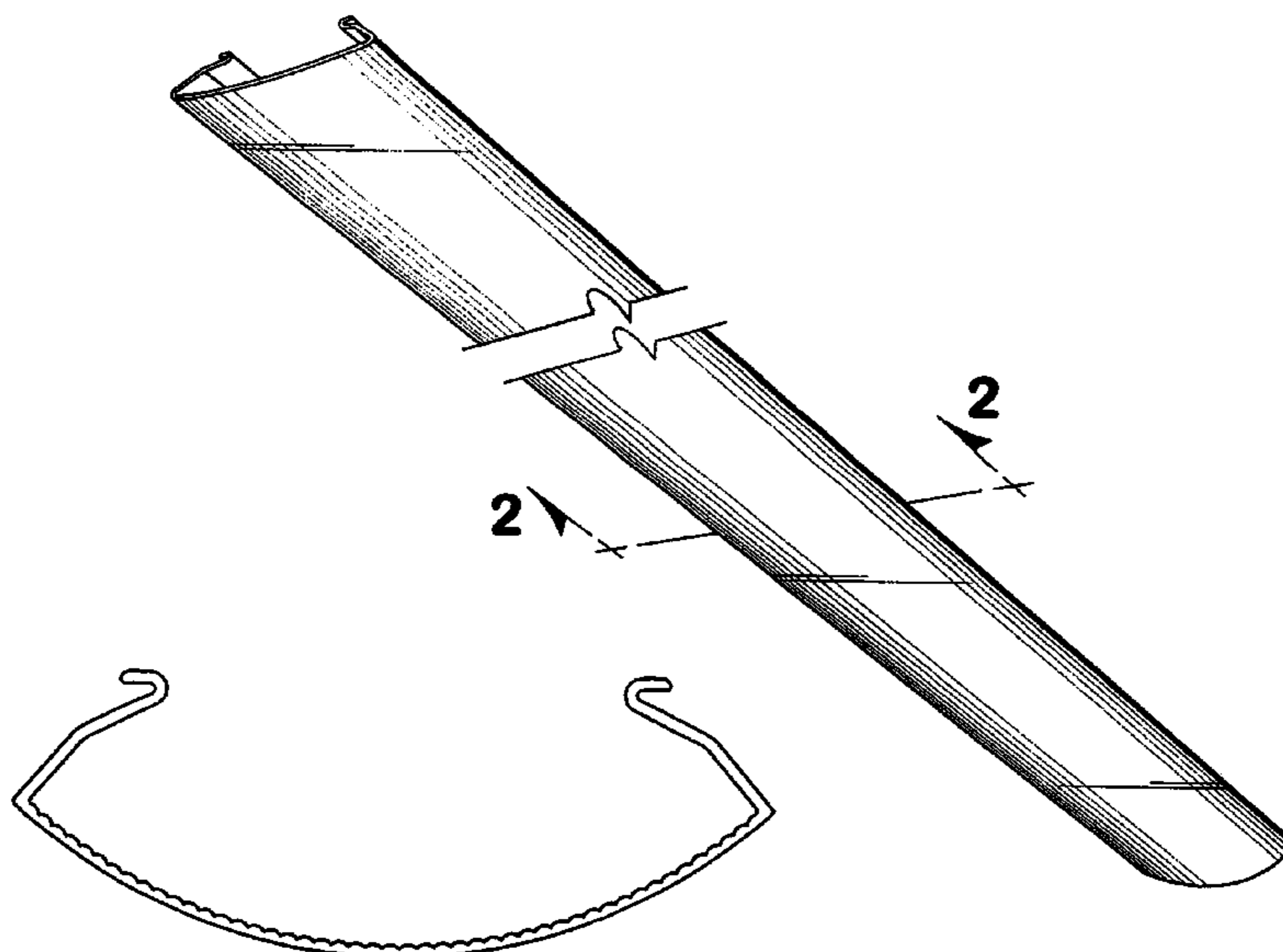
FIG. 2 is a cross-sectional view of the light fixture lens of FIG. 1 taken along line 2—2 in FIG. 1;

FIG. 3 is a bottom view of the light fixture lens of FIG. 1; and,

FIG. 4 is a right side elevational view light fixture lens of FIG. 1, the left side being a mirror image.

FIGS. 1, 3, and 4 are broken away to indicate indeterminate length.

**1 Claim, 2 Drawing Sheets**



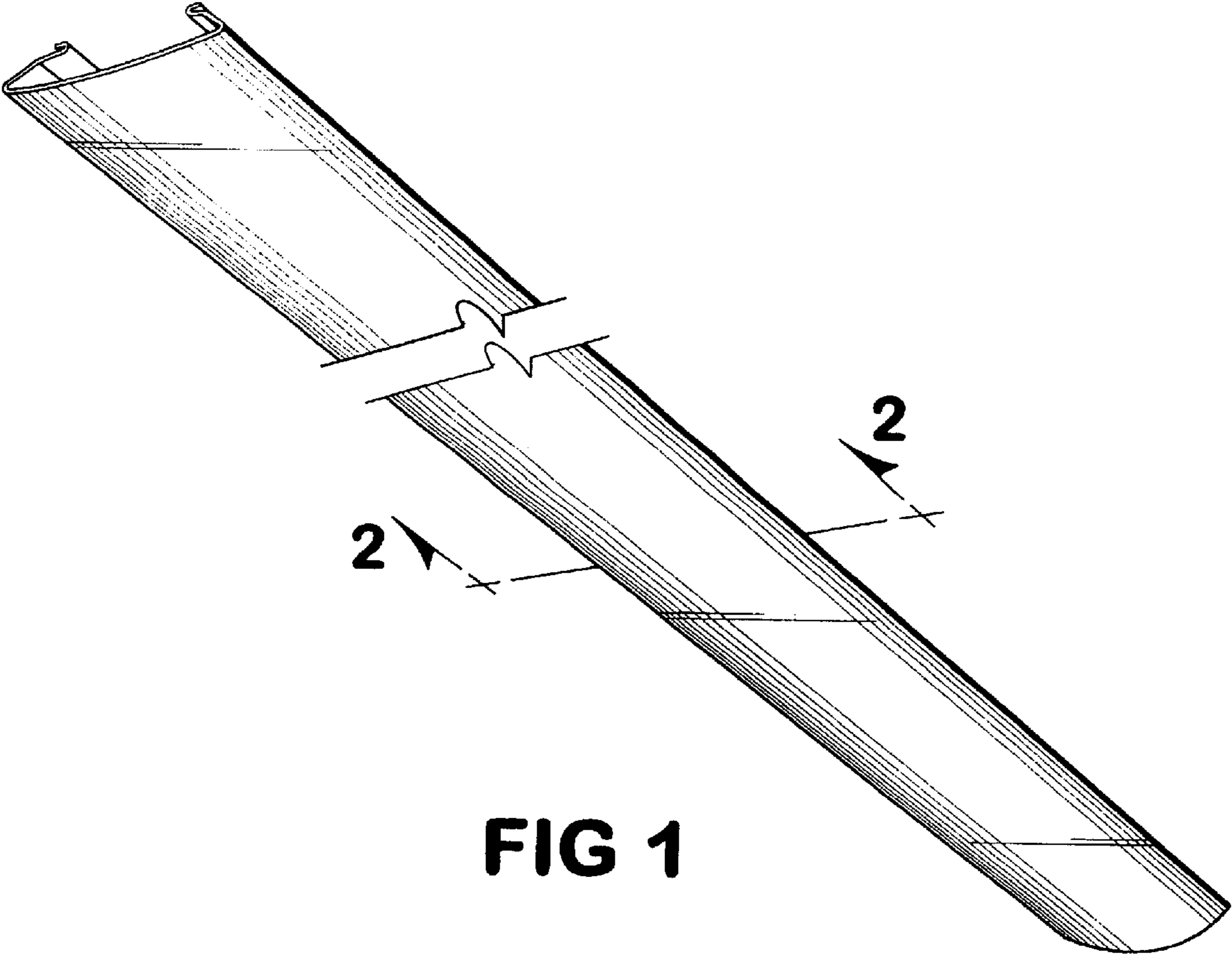
# US D541,468 S

Page 2

## U.S. PATENT DOCUMENTS

|              |    |           |                     |         |  |  |  |
|--------------|----|-----------|---------------------|---------|--|--|--|
| 3,265,887    | A  | 8/1966    | Wince               |         |  |  |  |
| 3,368,071    | A  | * 2/1968  | Bentzman            | 362/218 |  |  |  |
| 3,838,268    | A  | 9/1974    | Fabbri              | 240/9   |  |  |  |
| 3,934,135    | A  | * 1/1976  | Szer                | 362/330 |  |  |  |
| 4,698,734    | A  | 10/1987   | Ngai                | 362/225 |  |  |  |
| 4,799,136    | A  | 1/1989    | Molnar              | 362/300 |  |  |  |
| 4,891,737    | A  | * 1/1990  | Szymanek            | 362/223 |  |  |  |
| 4,939,627    | A  | * 7/1990  | Herst et al.        | 362/299 |  |  |  |
| D342,523     | S  | * 12/1993 | Morgan et al.       | D14/250 |  |  |  |
| 5,373,428    | A  | * 12/1994 | Day                 | 362/223 |  |  |  |
| 5,746,502    | A  | 5/1998    | Huang               | 362/223 |  |  |  |
| 5,769,534    | A  | * 6/1998  | Lewis               | 362/367 |  |  |  |
| D397,481     | S  | * 8/1998  | Schafer             | D26/85  |  |  |  |
| D397,819     | S  | 9/1998    | Thorton, Jr.        | D26/77  |  |  |  |
| D399,588     | S  | * 10/1998 | St. Ives            | D26/76  |  |  |  |
| D401,001     | S  | * 11/1998 | Herst et al.        | D26/77  |  |  |  |
| D413,402     | S  | * 8/1999  | Ranieri et al.      | D26/74  |  |  |  |
| 5,971,571    | A  | 10/1999   | Rose                | 362/346 |  |  |  |
| 5,988,829    | A  | 11/1999   | Holder              | 362/217 |  |  |  |
| 5,988,836    | A  | 11/1999   | Swarens             | 362/364 |  |  |  |
| D418,626     | S  | * 1/2000  | Herst et al.        | D26/118 |  |  |  |
| D421,146     | S  | * 2/2000  | Poulton             | D26/76  |  |  |  |
| 6,053,625    | A  | * 4/2000  | Bowker              | 362/348 |  |  |  |
| D430,339     | S  | * 8/2000  | Reo                 | D26/118 |  |  |  |
| 6,102,550    | A  | 8/2000    | Edwards, Jr.        | 362/221 |  |  |  |
| D440,341     | S  | 4/2001    | Arumugasaamy        | D26/85  |  |  |  |
| 6,238,065    | B1 | 5/2001    | Jones               | 362/339 |  |  |  |
| 6,257,735    | B1 | * 7/2001  | Baar                | 362/217 |  |  |  |
| 6,280,052    | B1 | 8/2001    | White               | 362/225 |  |  |  |
| 6,419,375    | B1 | 7/2002    | Leadford et al.     | 362/297 |  |  |  |
| D461,267     | S  | 8/2002    | Arumugasaamy        | D26/85  |  |  |  |
| 6,435,697    | B1 | * 8/2002  | Simmons et al.      | 362/219 |  |  |  |
| 6,454,442    | B1 | 9/2002    | Changaris           | 362/297 |  |  |  |
| 6,485,166    | B1 | 11/2002   | Fouke               | 362/340 |  |  |  |
| D467,676     | S  | 12/2002   | Packer et al.       | D26/72  |  |  |  |
| D467,677     | S  | 12/2002   | Ries et al.         | D26/88  |  |  |  |
| 6,505,953    | B1 | 1/2003    | Dahlen              | 362/217 |  |  |  |
| 6,505,959    | B2 | 1/2003    | Masaki et al.       | 362/339 |  |  |  |
| 6,511,213    | B1 | * 1/2003  | Maley, Sr.          | 362/374 |  |  |  |
| 6,530,681    | B2 | 3/2003    | Sieczkowski         | 362/404 |  |  |  |
| 6,537,649    | B1 | 3/2003    | Martin et al.       | 428/172 |  |  |  |
| D472,665     | S  | 4/2003    | Herst et al.        | D26/113 |  |  |  |
| D472,666     | S  | 4/2003    | Herst et al.        | D26/113 |  |  |  |
| D472,667     | S  | 4/2003    | Herst et al.        | D26/113 |  |  |  |
| D472,668     | S  | 4/2003    | Herst et al.        | D26/113 |  |  |  |
| D473,007     | S  | 4/2003    | Herst et al.        | D26/113 |  |  |  |
| D473,335     | S  | 4/2003    | Bohard et al.       | D26/113 |  |  |  |
| 6,540,382    | B1 | 4/2003    | Simon               | 362/339 |  |  |  |
| 6,558,020    | B1 | * 5/2003  | Holzer              | 362/221 |  |  |  |
| D477,105     | S  | * 7/2003  | Herst et al.        | D26/76  |  |  |  |
| D477,891     | S  | 7/2003    | Fritze et al.       | D26/74  |  |  |  |
| D480,168     | S  | 9/2003    | Herst et al.        | D26/77  |  |  |  |
| D480,172     | S  | 9/2003    | Herst et al.        | D26/121 |  |  |  |
| 6,612,718    | B1 | 9/2003    | Packer et al.       | 362/267 |  |  |  |
| 6,612,723    | B2 | 9/2003    | Futhey et al.       | 362/339 |  |  |  |
| D480,500     | S  | 10/2003   | Herst et al.        | D26/121 |  |  |  |
| D480,501     | S  | 10/2003   | Herst et al.        | D26/121 |  |  |  |
| D480,502     | S  | 10/2003   | Herst et al.        | D26/121 |  |  |  |
| D480,503     | S  | 10/2003   | Herst et al.        | D26/121 |  |  |  |
| D480,530     | S  | 10/2003   | Herst et al.        | 121/77  |  |  |  |
| D480,830     | S  | 10/2003   | Sieczkowski         | D26/118 |  |  |  |
| D481,488     | S  | 10/2003   | Herst et al.        | D26/121 |  |  |  |
| D481,489     | S  | 10/2003   | Cline et al.        | D26/128 |  |  |  |
| 6,637,912    | B2 | 10/2003   | Arumugasaamy et al. | 362/327 |  |  |  |
| D481,820     | S  | 11/2003   | Watt                | D26/77  |  |  |  |
| 6,652,118    | B2 | 11/2003   | Shemitz et al.      | 362/225 |  |  |  |
| D483,510     | S  | 12/2003   | Fritze et al.       | D26/75  |  |  |  |
| 6,655,819    | B2 | 12/2003   | Loga et al.         | 362/263 |  |  |  |
| D485,932     | S  | 1/2004    | Crane               | D26/76  |  |  |  |
| D487,527     | S  | 3/2004    | Sieczkowski         | D26/76  |  |  |  |
| 6,709,131    | B1 | 3/2004    | Herst et al.        | 362/223 |  |  |  |
| 6,726,345    | B2 | 4/2004    | Arumugasaamy et al. | 362/327 |  |  |  |
| 2002/0080615 | A1 | 6/2002    | Marshall et al.     | 362/333 |  |  |  |
| 2002/0181229 | A1 | * 12/2002 | Wei                 | 362/147 |  |  |  |

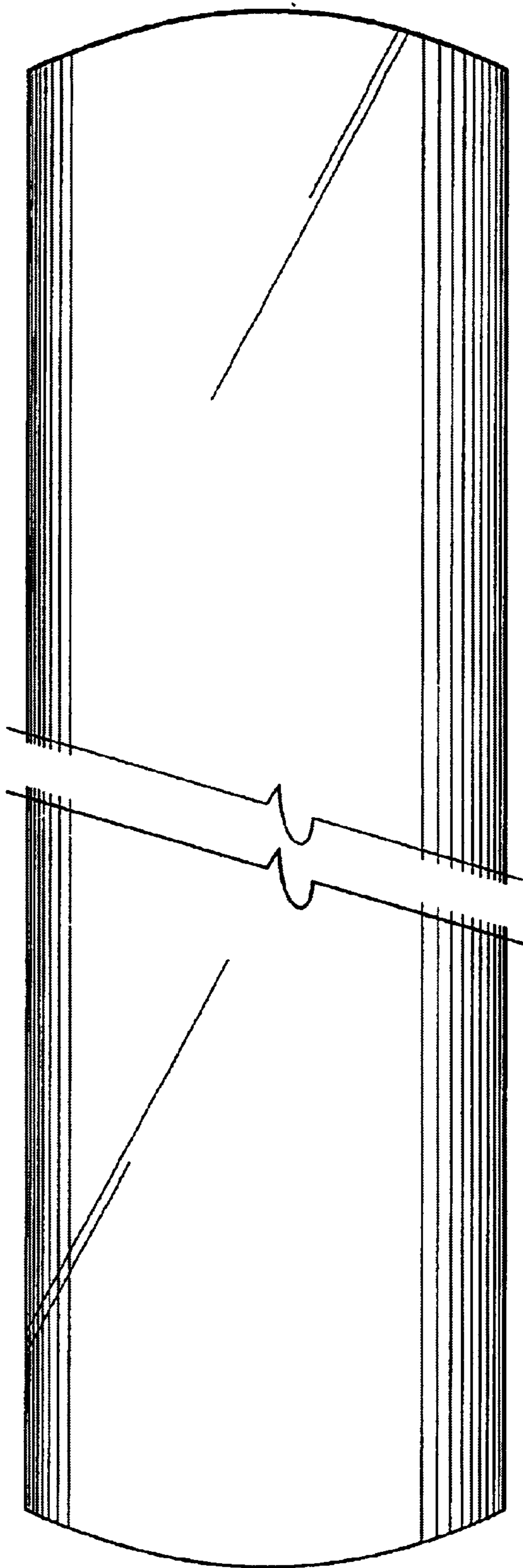
\* cited by examiner



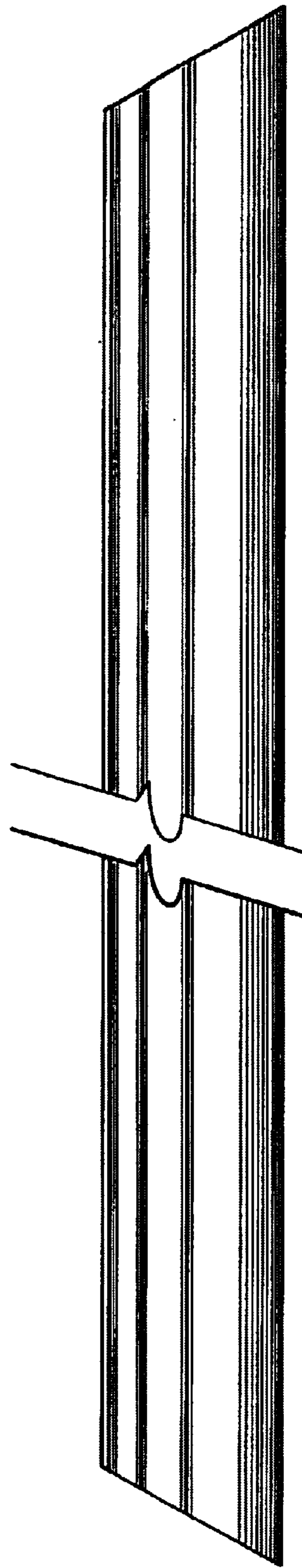
**FIG 1**



**FIG 2**



**FIG 3**



**FIG 4**