



US00D541463S

(12) **United States Design Patent**
Tortel

(10) **Patent No.:** **US D541,463 S**

(45) **Date of Patent:** **** Apr. 24, 2007**

(54) **PUBLIC LIGHTING FIXTURE**

(75) Inventor: **Michel Tortel**, Paris (FR)

(73) Assignee: **Schreder, S.A.**, Brussels (BE)

(**) Term: **14 Years**

(21) Appl. No.: **29/232,954**

(22) Filed: **Jun. 24, 2005**

(30) **Foreign Application Priority Data**

Dec. 24, 2004 (EM) 000271895-0002

(51) **LOC (8) Cl.** **26-05**

(52) **U.S. Cl.** **D26/71; D26/63**

(58) **Field of Classification Search** D26/61,
D26/63, 71, 85, 87, 92; 362/147, 285, 287,
362/289, 371, 431, 432

See application file for complete search history.

(56) **References Cited**

U.S. PATENT DOCUMENTS

D198,986 S * 8/1964 Izzi D26/63

D199,327 S * 10/1964 Guth, Jr. D26/72

D200,973 S * 4/1965 Izzi D26/63

3,358,133 A * 12/1967 Hoxie et al. 362/282

D220,118 S * 3/1971 Tawll et al. D26/63

D329,104 S * 9/1992 Dieperink D26/87

5,386,354 A * 1/1995 Osteen 362/258

D363,566 S * 10/1995 Osteen D26/67

D417,303 S * 11/1999 Rahn D26/67

D500,569 S * 1/2005 Butler D26/71

D527,134 S * 8/2006 Bagen D26/71

* cited by examiner

Primary Examiner—Clare E Heflin

(74) *Attorney, Agent, or Firm*—Kirschstein, et al.

(57) **CLAIM**

The ornamental design for a public lighting fixture, as shown.

DESCRIPTION

FIG. 1 is an upper top perspective view of a public lighting fixture according to this invention;

FIG. 2 is a lower bottom perspective view thereof;

FIG. 3 is a top plan view thereof;

FIG. 4 is a front elevational view thereof;

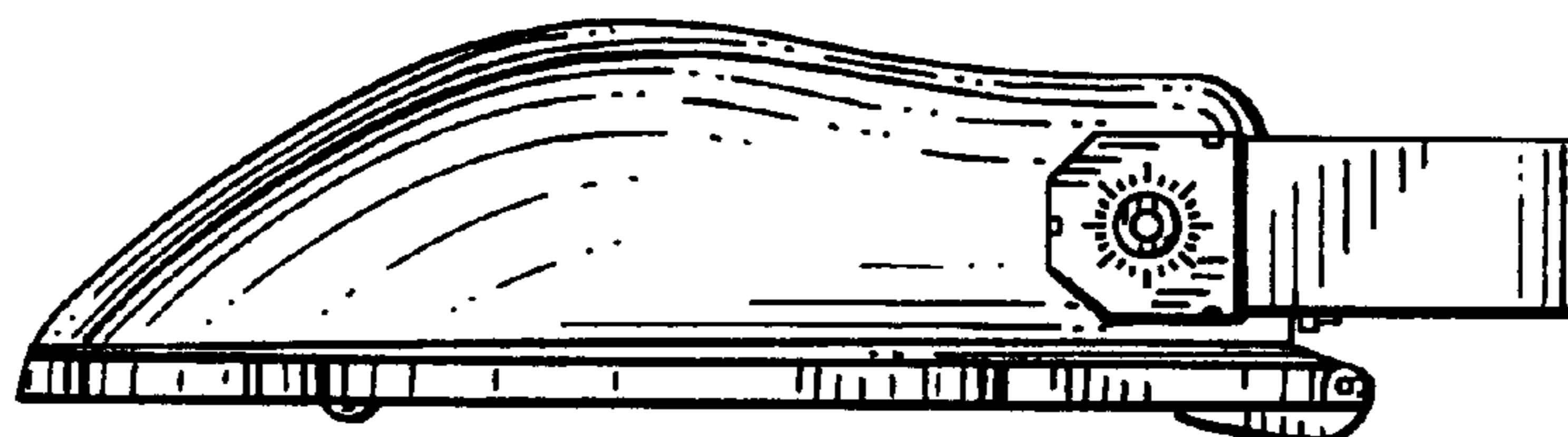
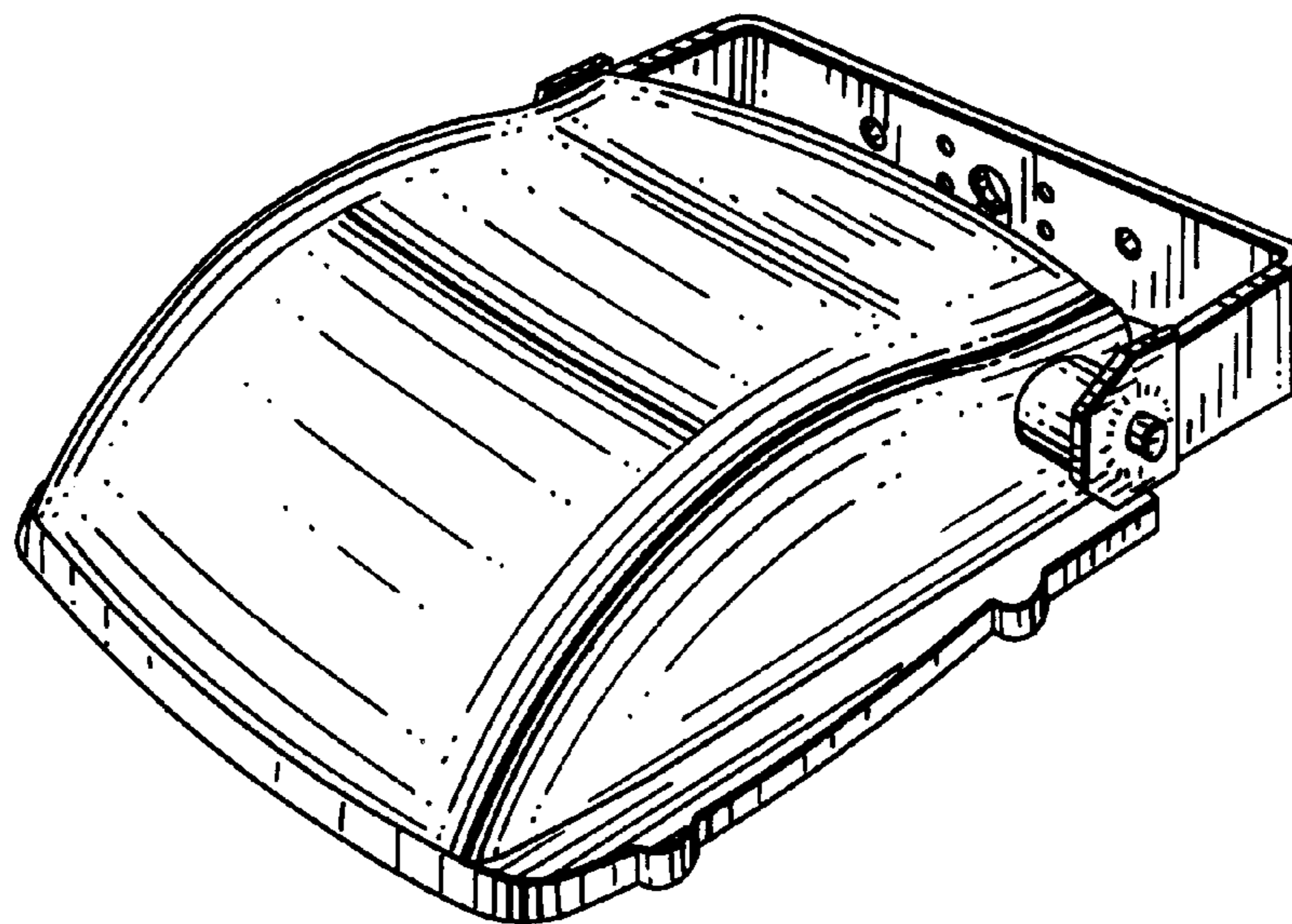
FIG. 5 is a right side elevational view thereof;

FIG. 6 is a left side elevational view thereof;

FIG. 7 is a rear elevational view thereof; and,

FIG. 8 is a bottom plan view thereof.

1 Claim, 4 Drawing Sheets



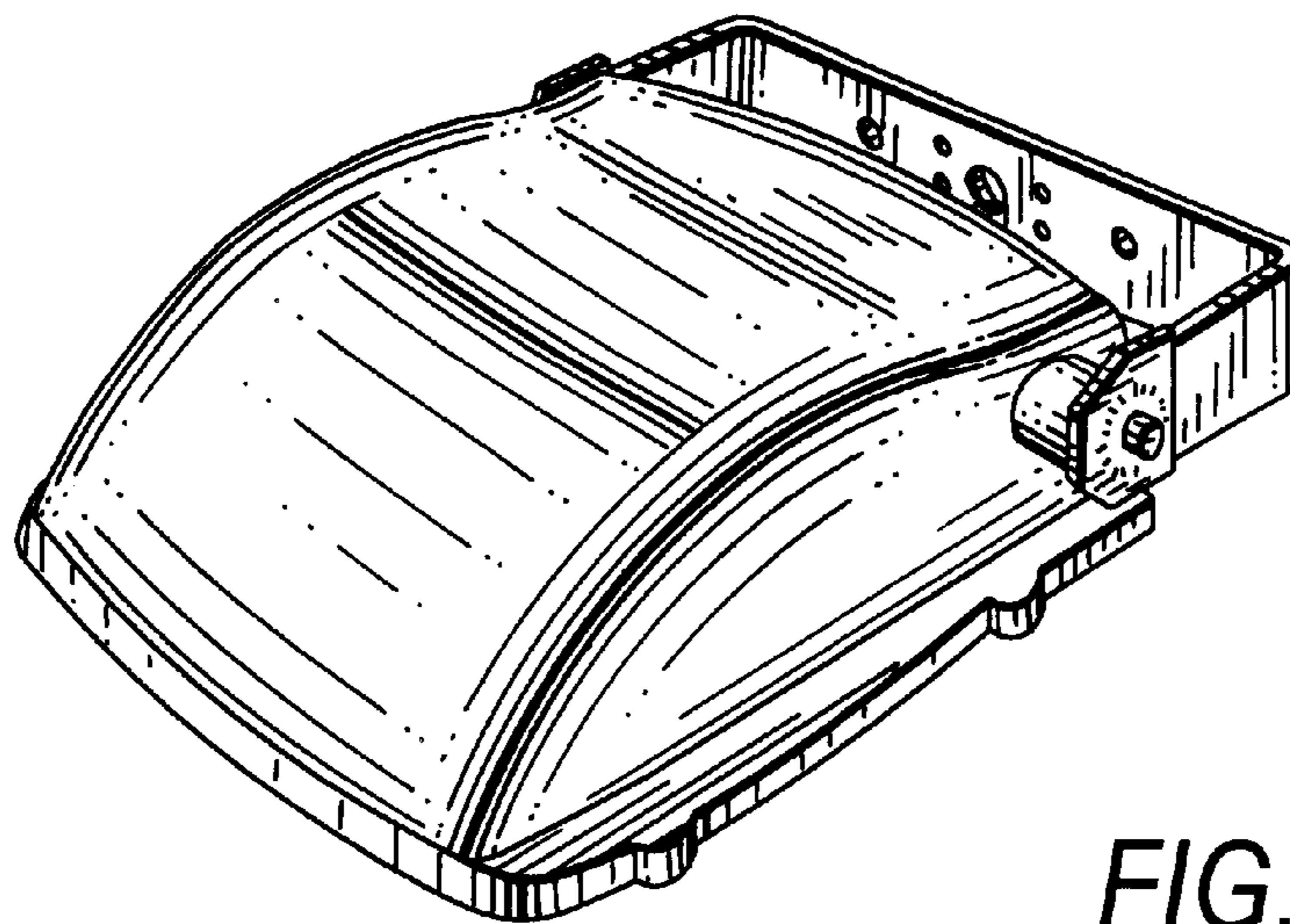


FIG. 1

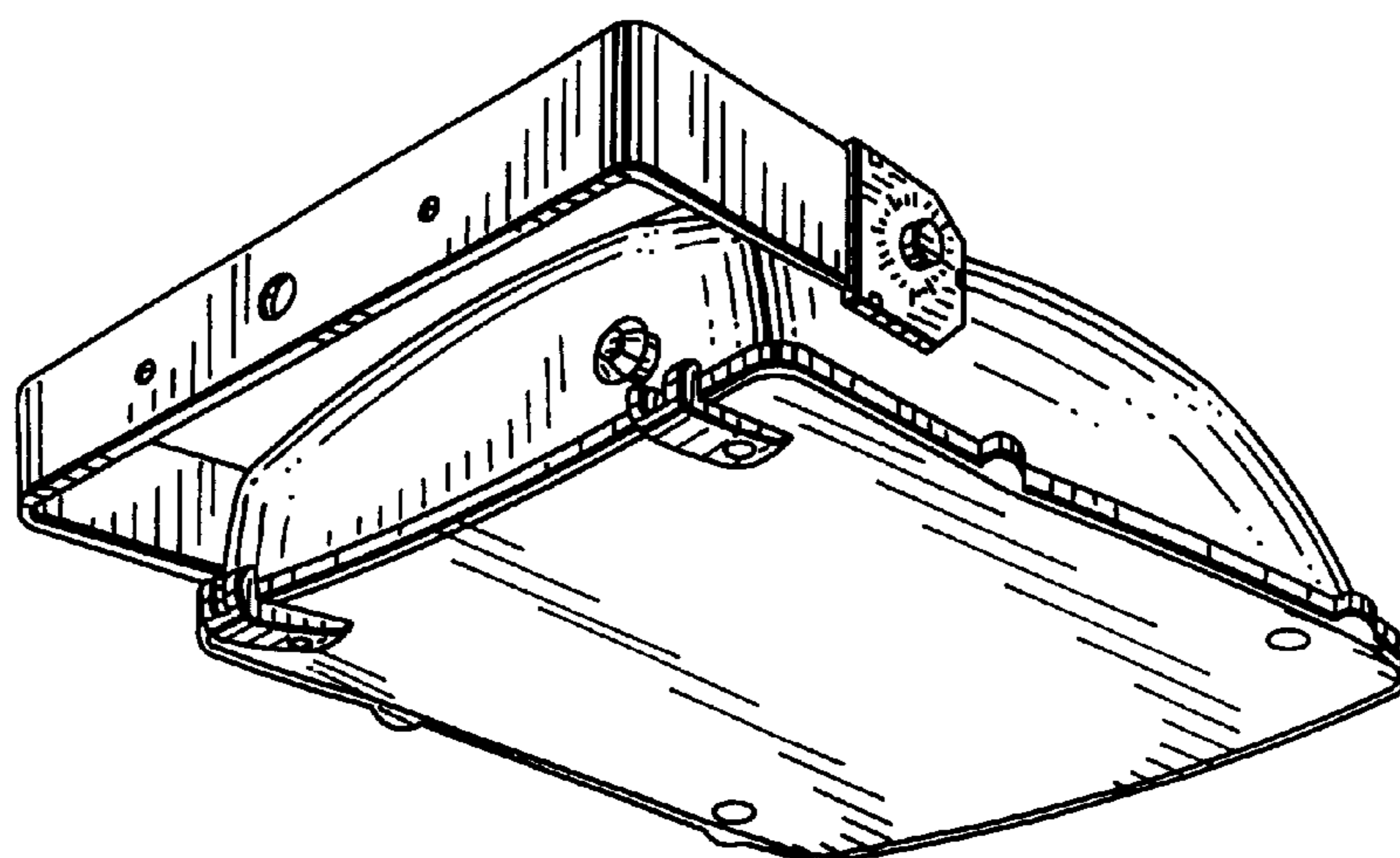


FIG. 2

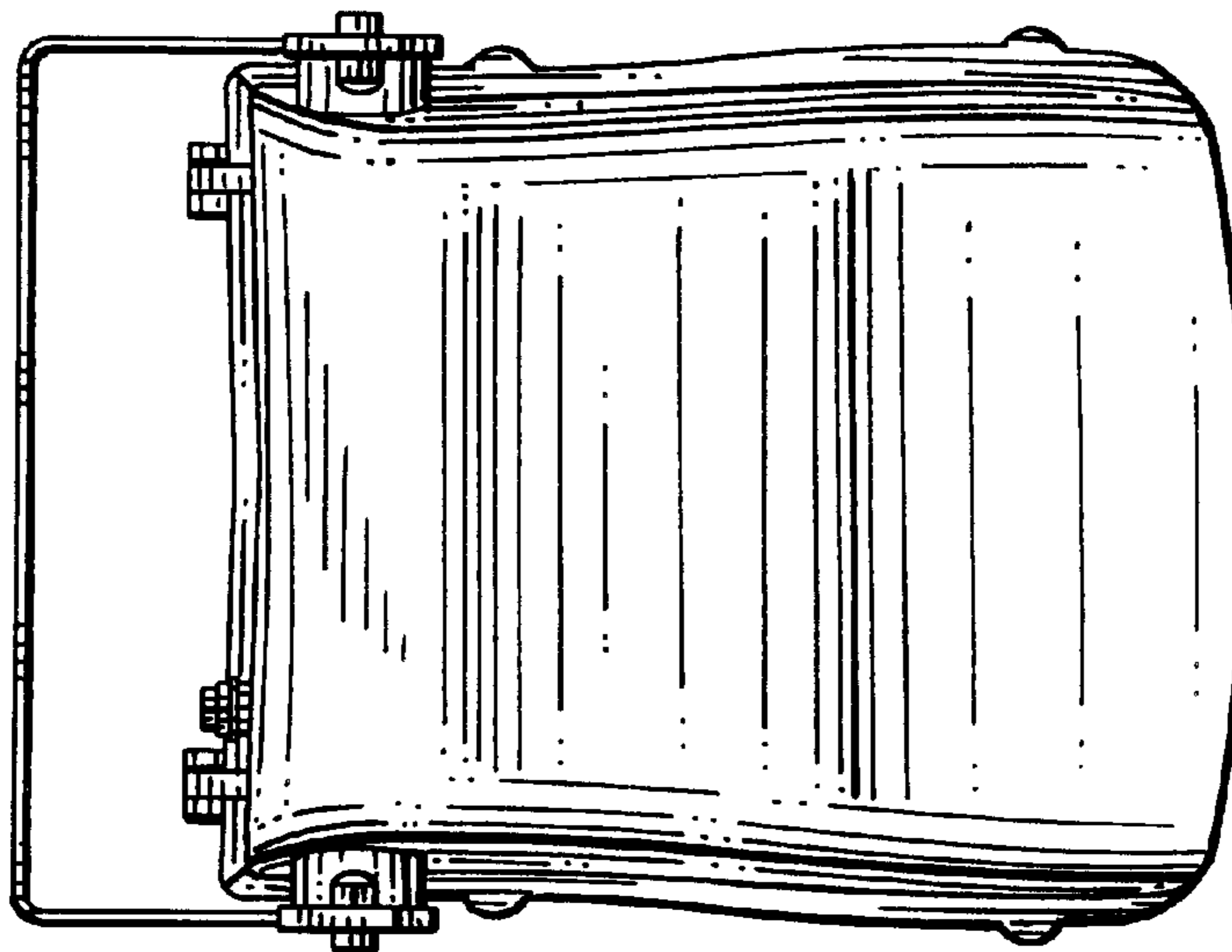


FIG. 3

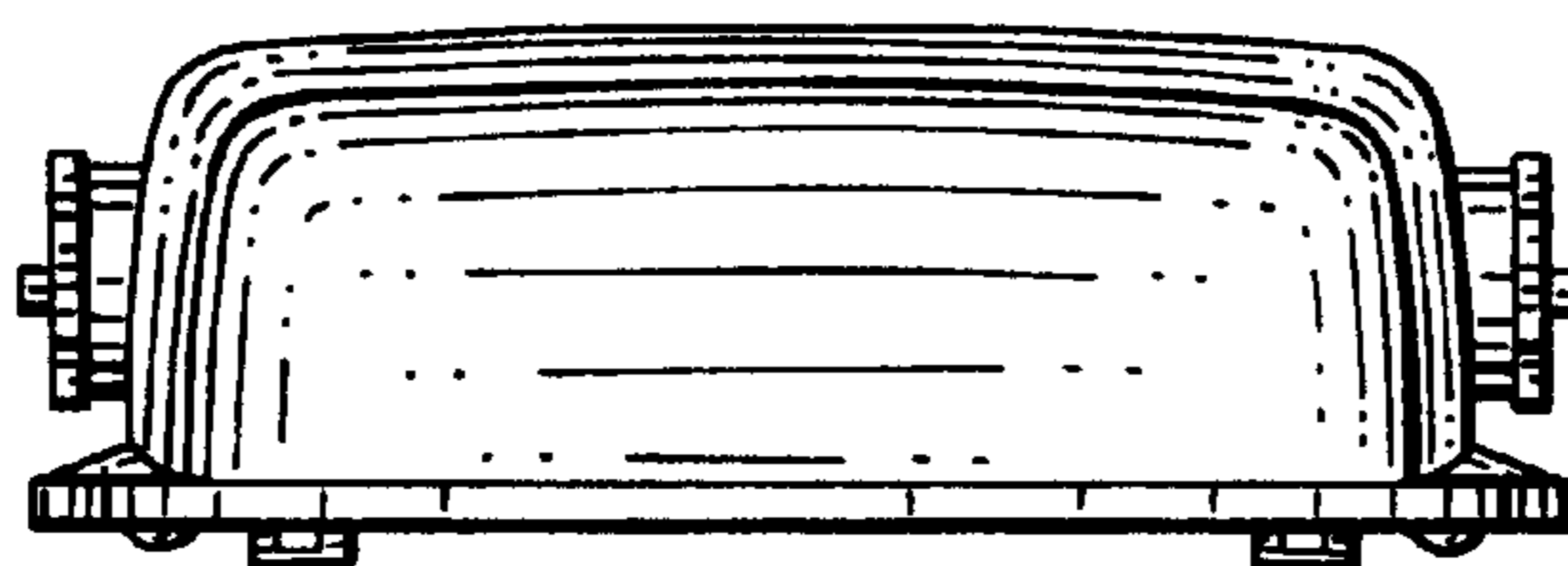


FIG. 4

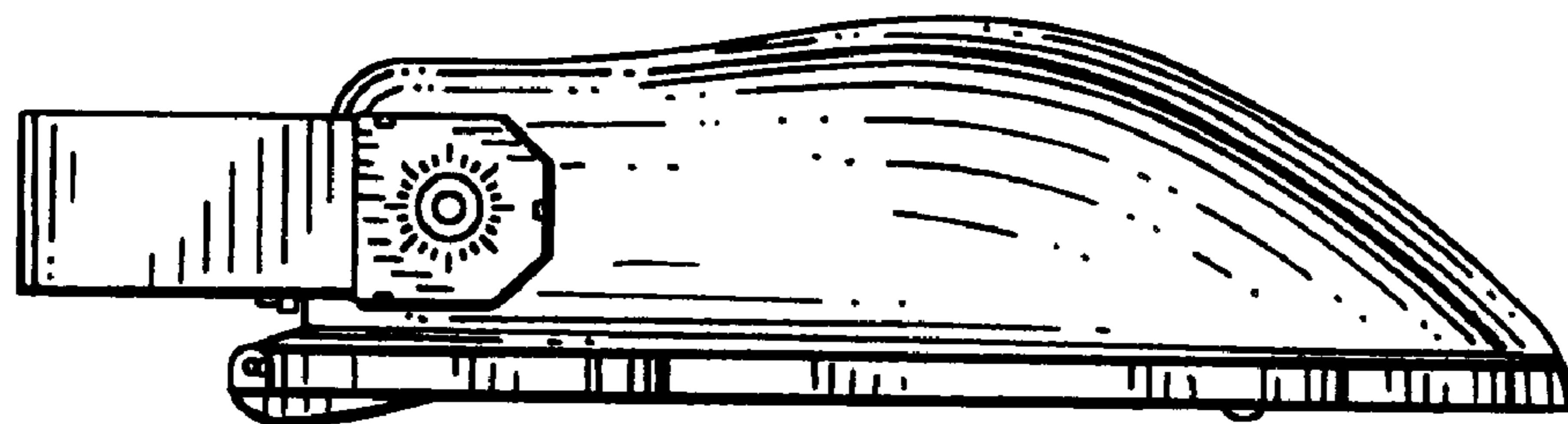


FIG. 5

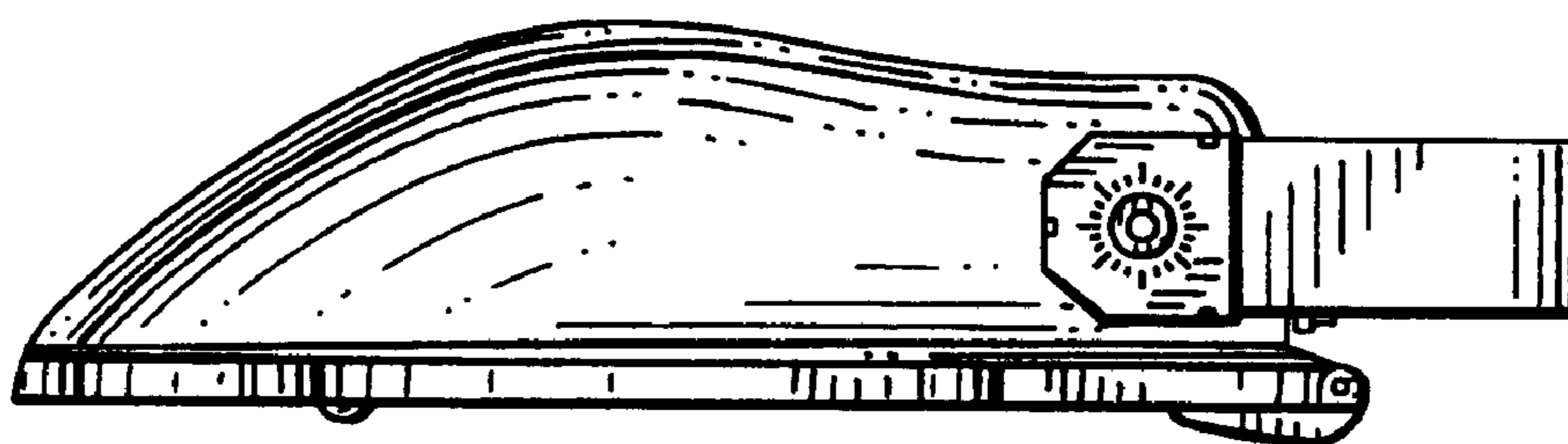


FIG. 6

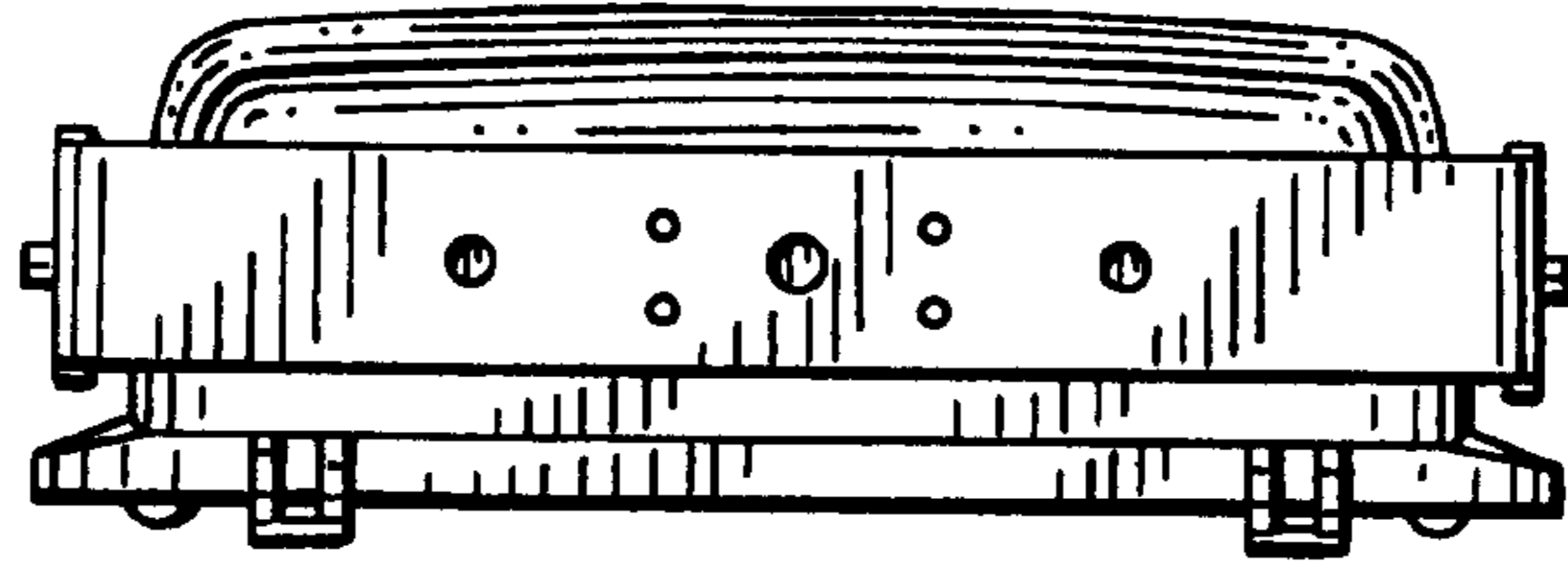


FIG. 7

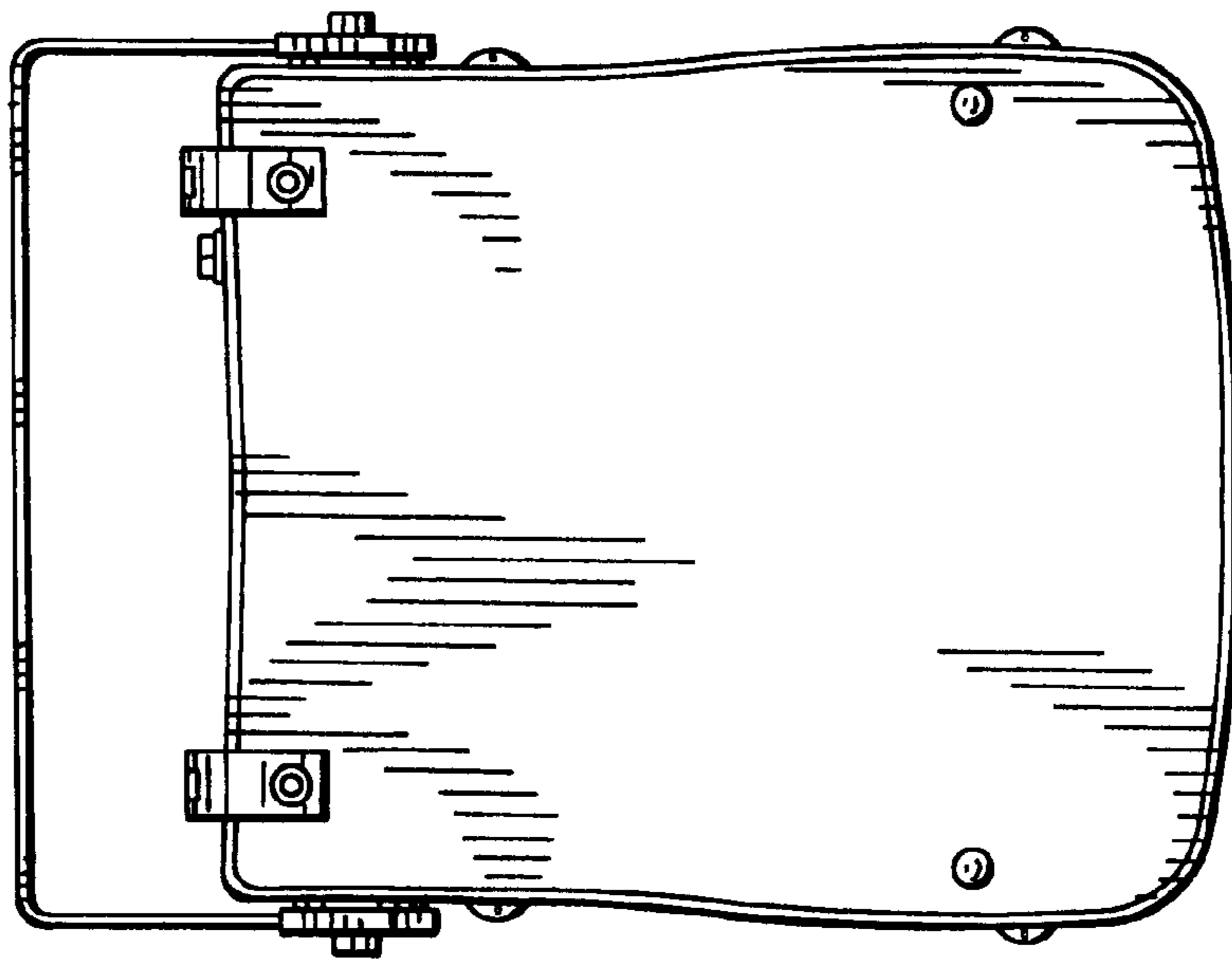


FIG. 8