



US00D541458S

(12) **United States Design Patent**  
**Benghozi**

(10) **Patent No.:** **US D541,458 S**

(45) **Date of Patent:** **\*\* Apr. 24, 2007**

(54) **LAMP**

(76) **Inventor:** **Victor-Simon Benghozi**, 767 St-Remi,  
Montreal, Quebec (CA), H4C 3G9

(\*\*) **Term:** **14 Years**

(21) **Appl. No.:** **29/208,997**

(22) **Filed:** **Jul. 9, 2004**

(51) **LOC (8) Cl.** ..... **26-05**

(52) **U.S. Cl.** ..... **D26/63; D26/61**

(58) **Field of Classification Search** ..... D26/61,  
D26/63-66, 72; 362/269, 277, 278, 282,  
362/285, 287, 288, 410, 413, 418-430, 449,  
362/147

See application file for complete search history.

(56) **References Cited**

**U.S. PATENT DOCUMENTS**

D264,386 S \* 5/1982 Heritage et al. .... D26/63

D287,413 S \* 12/1986 Kusmer et al. .... D26/65

D316,908 S \* 5/1991 Atkinson et al. .... D26/63

D325,645 S \* 4/1992 Grange ..... D26/63

D326,162 S \* 5/1992 Price ..... D26/63

\* cited by examiner

*Primary Examiner*—Clare E Heflin

(57) **CLAIM**

The ornamental design for a lamp, as shown and described.

**DESCRIPTION**

FIG. 1 is a perspective view of a lamp showing my new design;

FIG. 2 is a top plan view thereof;

FIG. 3 is another perspective view thereof;

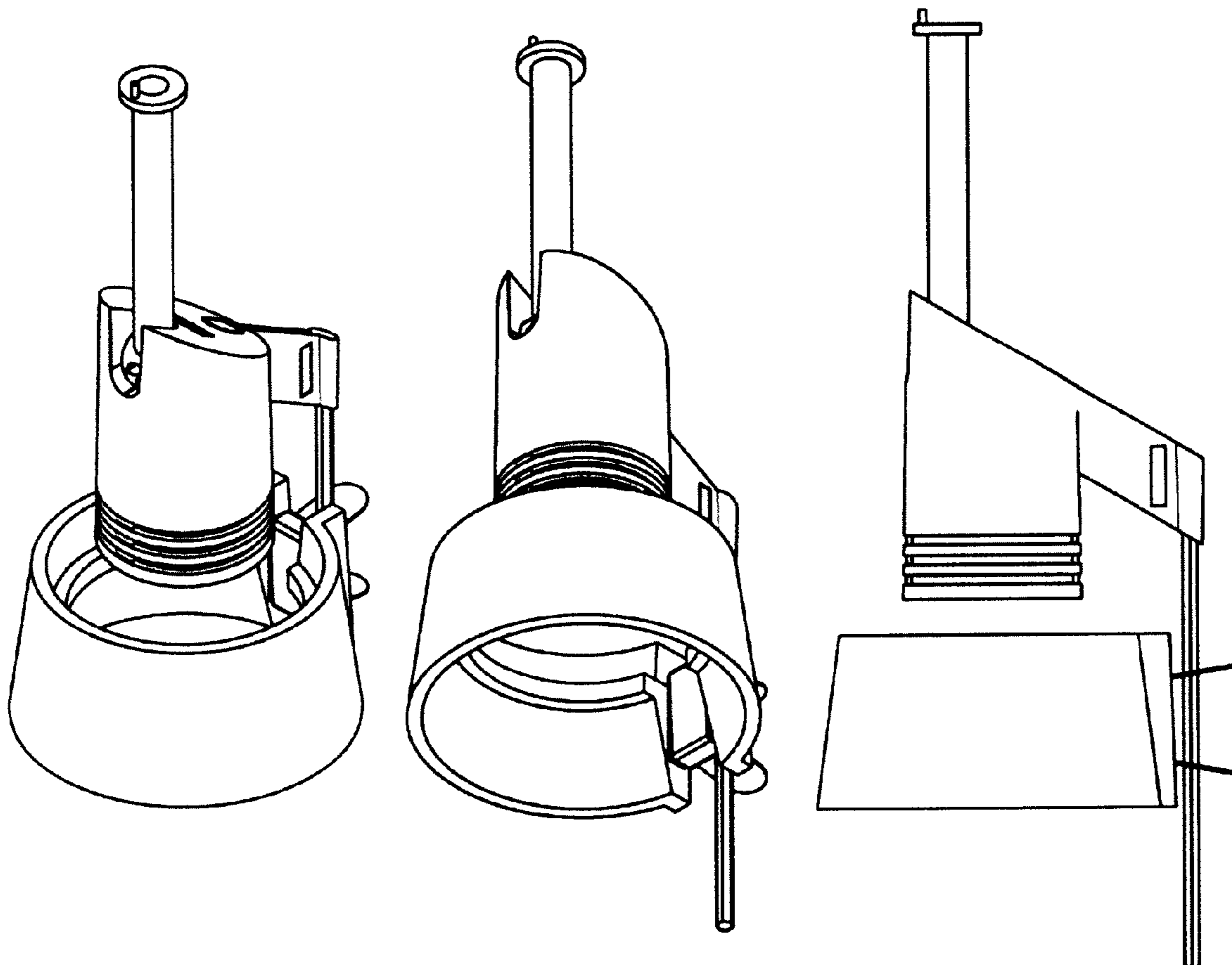
FIG. 4 is a side elevational view thereof;

FIG. 5 is another side elevational view thereof;

FIG. 6 is another side elevational view thereof; and,

FIG. 7 is a bottom plan view thereof.

**1 Claim, 1 Drawing Sheet**



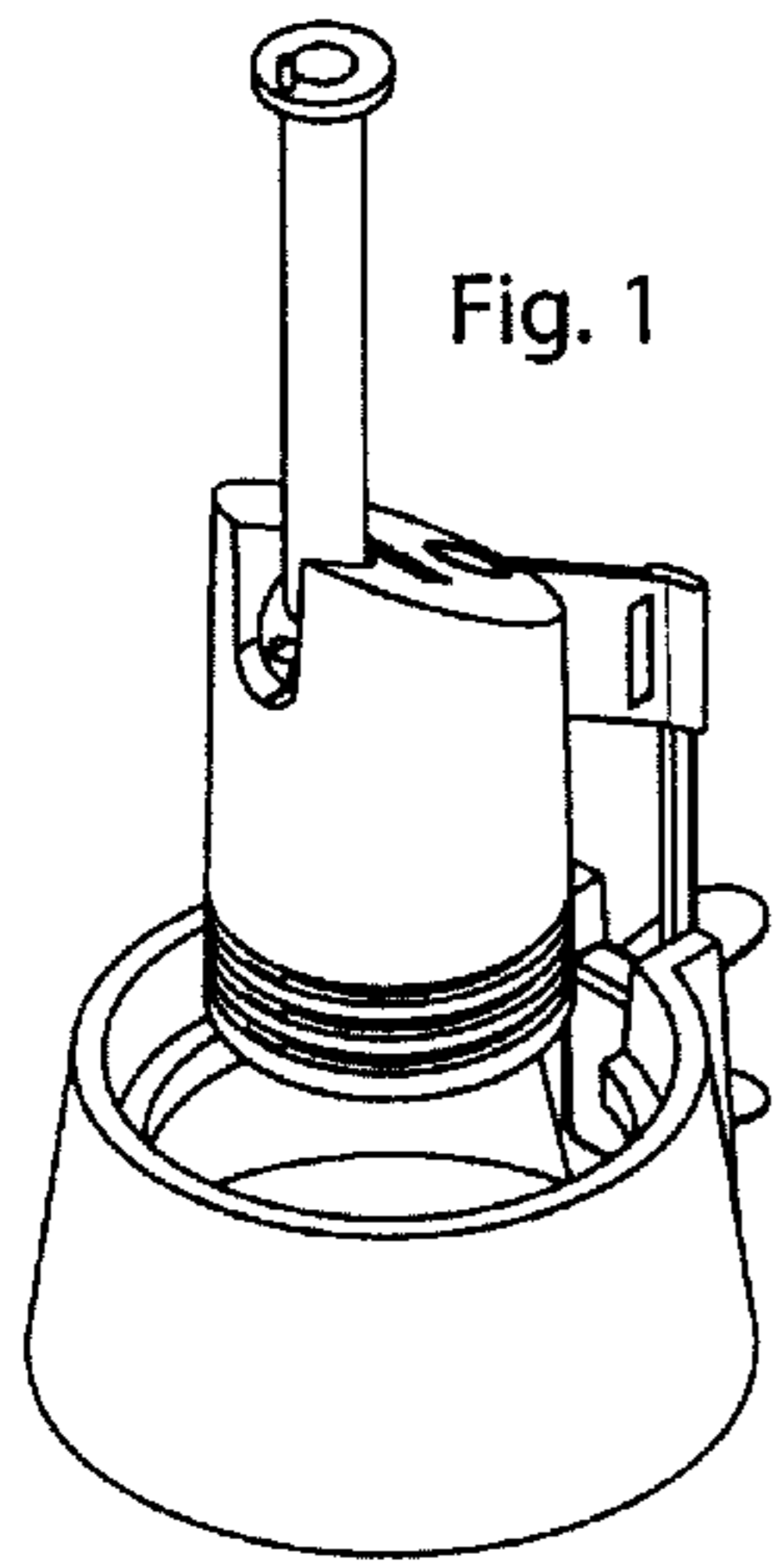


Fig. 1

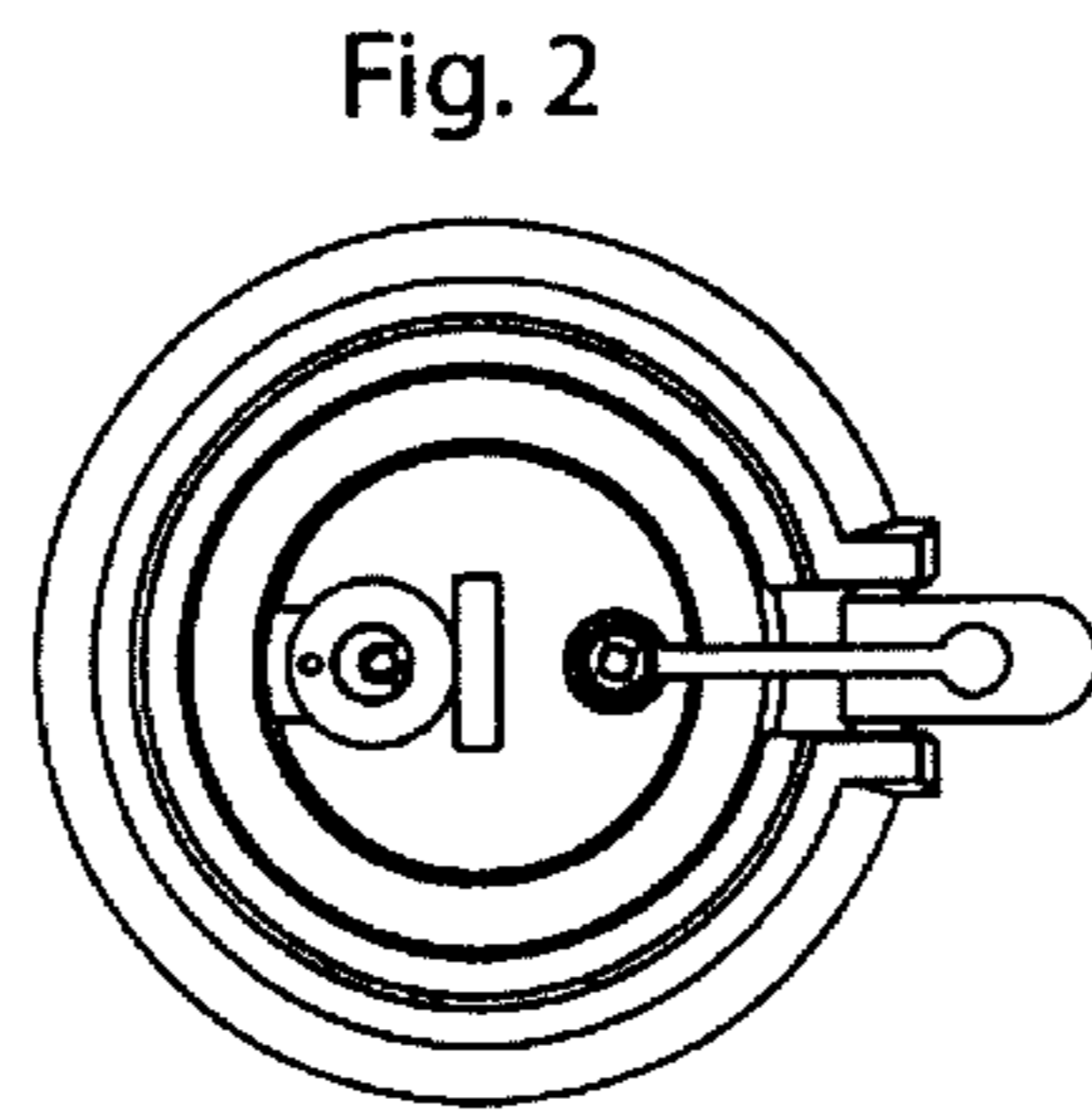


Fig. 2

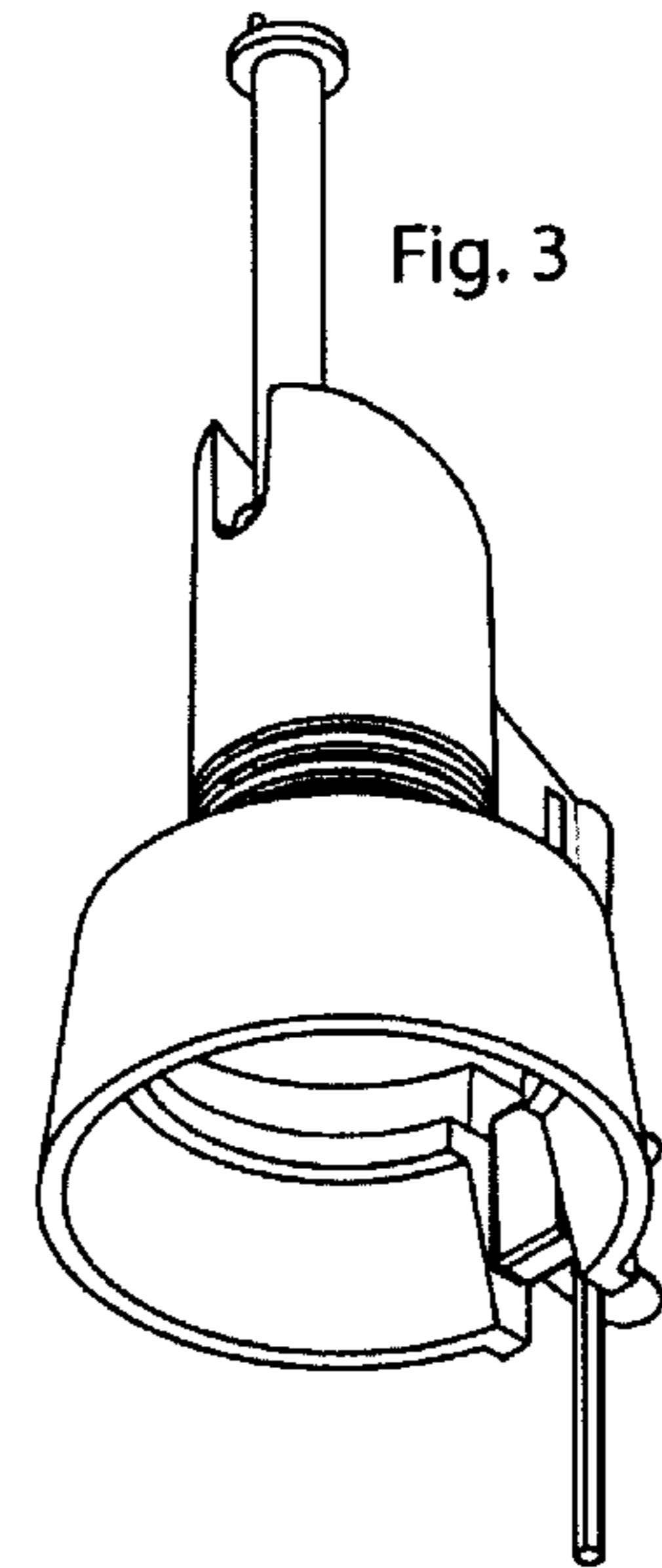


Fig. 3

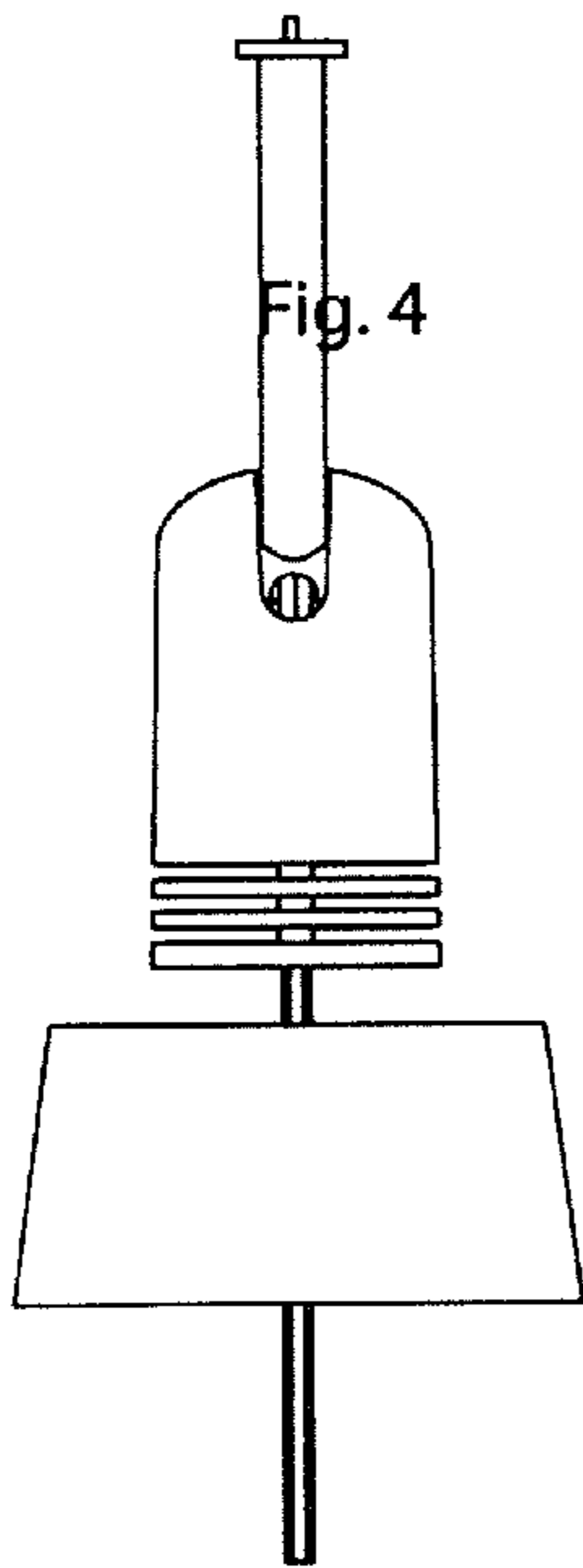


Fig. 4

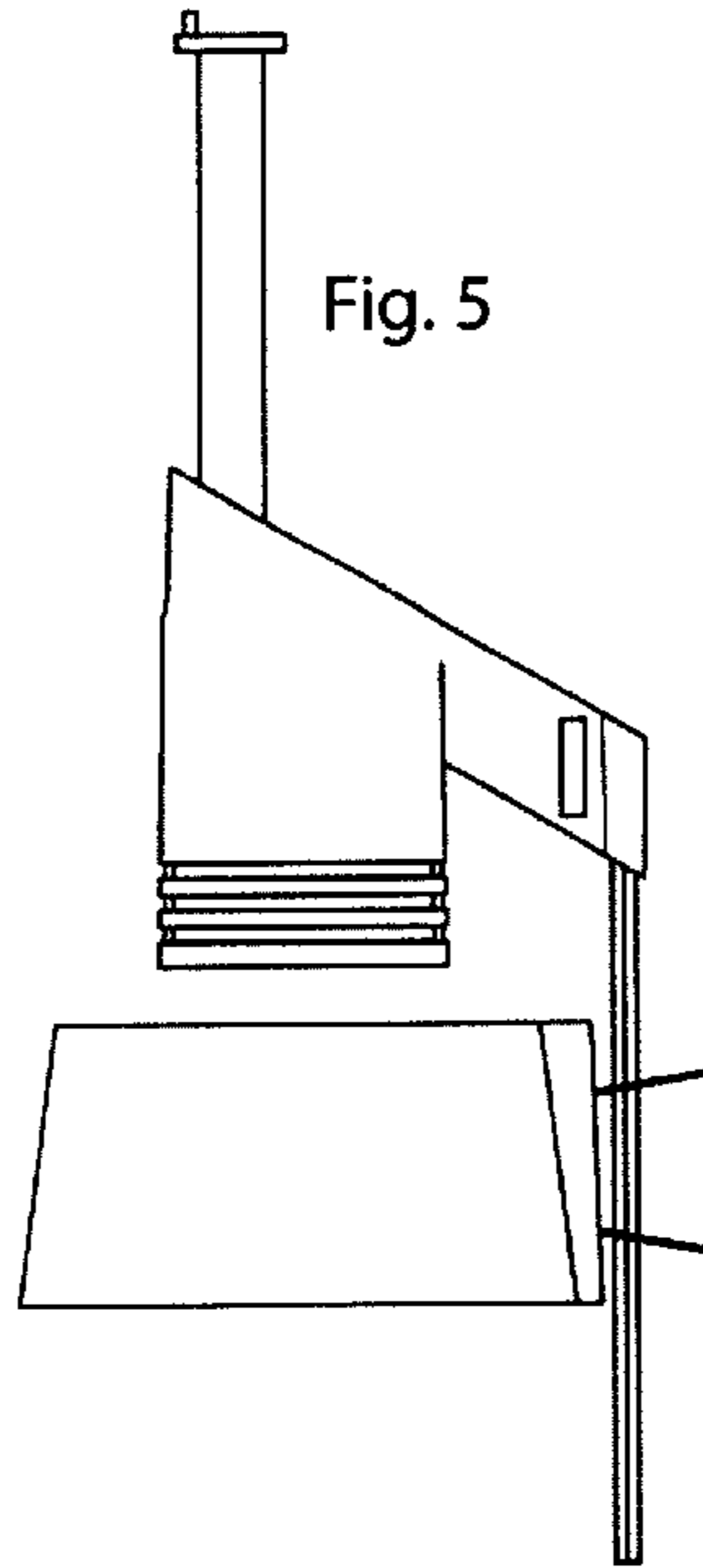


Fig. 5

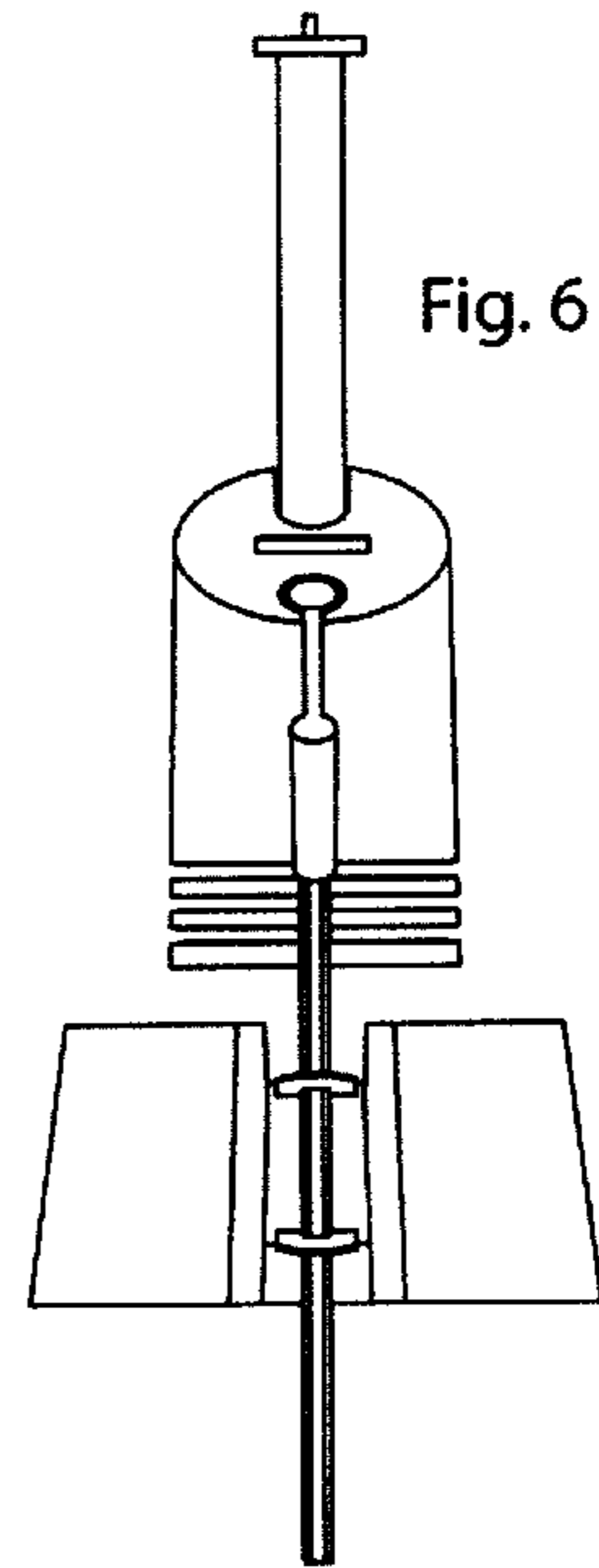


Fig. 6

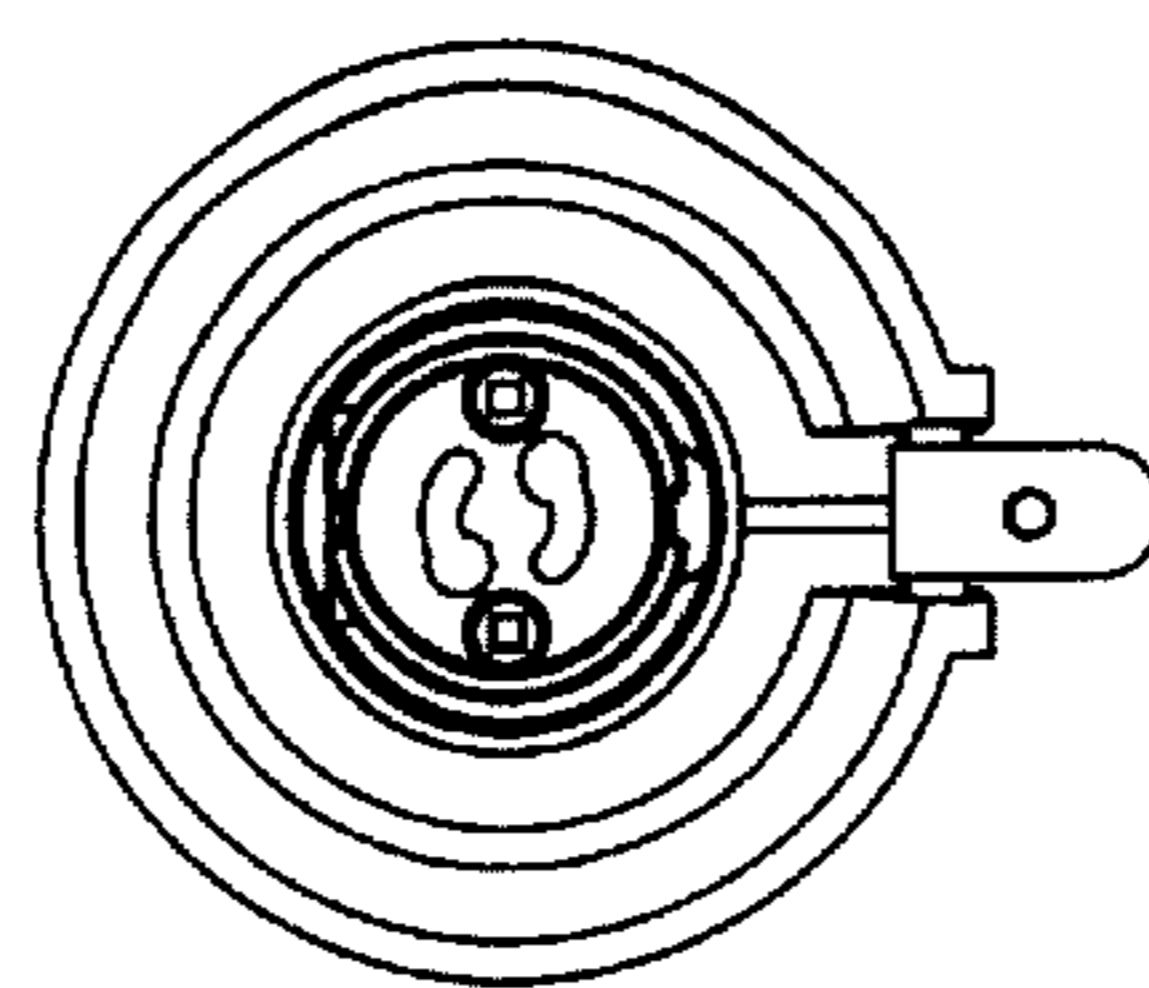


Fig. 7