



US00D541456S

(12) **United States Design Patent**
Kosche

(10) **Patent No.:** **US D541,456 S**

(45) **Date of Patent:** **** Apr. 24, 2007**

(54) **SPOTLIGHT**

(75) Inventor: **Henk Kosche**, Lüdenscheid (DE)

(73) Assignee: **Erco Leuchten GmbH**, Ludenscheid (DE)

(**) Term: **14 Years**

(21) Appl. No.: **29/199,650**

(22) Filed: **Feb. 18, 2004**

(30) **Foreign Application Priority Data**

Aug. 18, 2003 (EM) 64647

(51) **LOC (8) Cl.** **26-05**

(52) **U.S. Cl.** **D26/63; D26/66**

(58) **Field of Classification Search** D26/63-68,
D26/72, 87, 92; 362/147, 367, 368, 427,
362/430, 431, 432, 267, 269, 281, 285, 287,
362/418, 419

See application file for complete search history.

(56) **References Cited**

U.S. PATENT DOCUMENTS

4,112,486 A * 9/1978 Tovi 362/419

4,814,955 A	*	3/1989	Price	362/275
4,851,973 A	*	7/1989	Layne	362/147
D315,419 S	*	3/1991	Layne	D26/63
D328,147 S	*	7/1992	Gecchelin	D26/63
D335,544 S	*	5/1993	Meda et al.	D26/63
D355,722 S	*	2/1995	Roos et al.	D26/63
D448,506 S	*	9/2001	Miller et al.	D26/63

* cited by examiner

Primary Examiner—Clare E Heflin

(74) *Attorney, Agent, or Firm*—Andrew Wilford

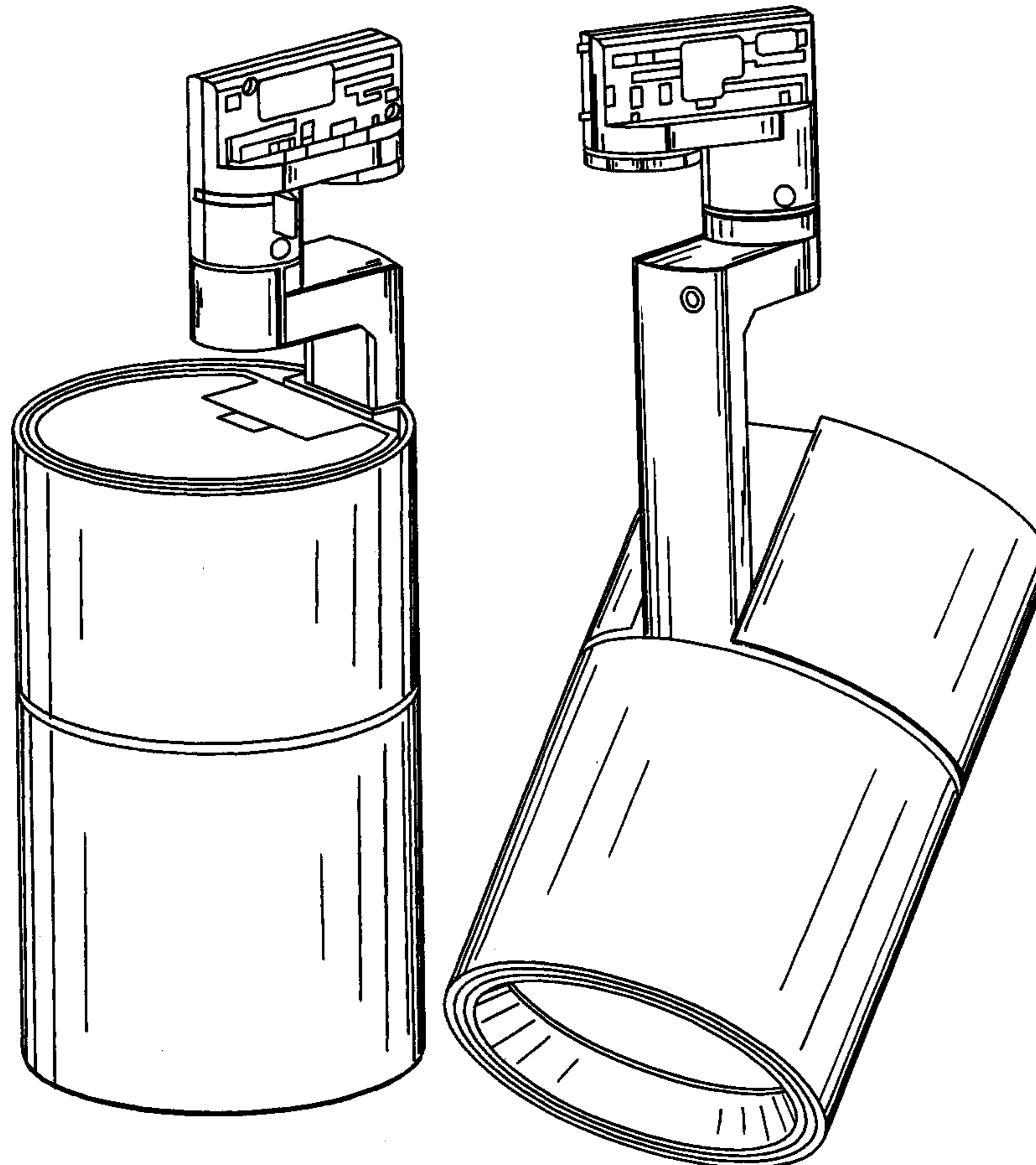
(57) **CLAIM**

The ornamental design for a spotlight, as shown and described.

DESCRIPTION

FIG. 1 is a rear elevational view thereof;
FIG. 2 is a front elevational view thereof;
FIG. 3 is a top front right side perspective view thereof;
FIG. 4 is a bottom rear right side perspective view thereof;
FIG. 5 is a rear left side perspective view thereof with the lamp at a different position;
FIG. 6 is a top plan view thereof; and,
FIG. 7 is a bottom plan view thereof.

1 Claim, 6 Drawing Sheets



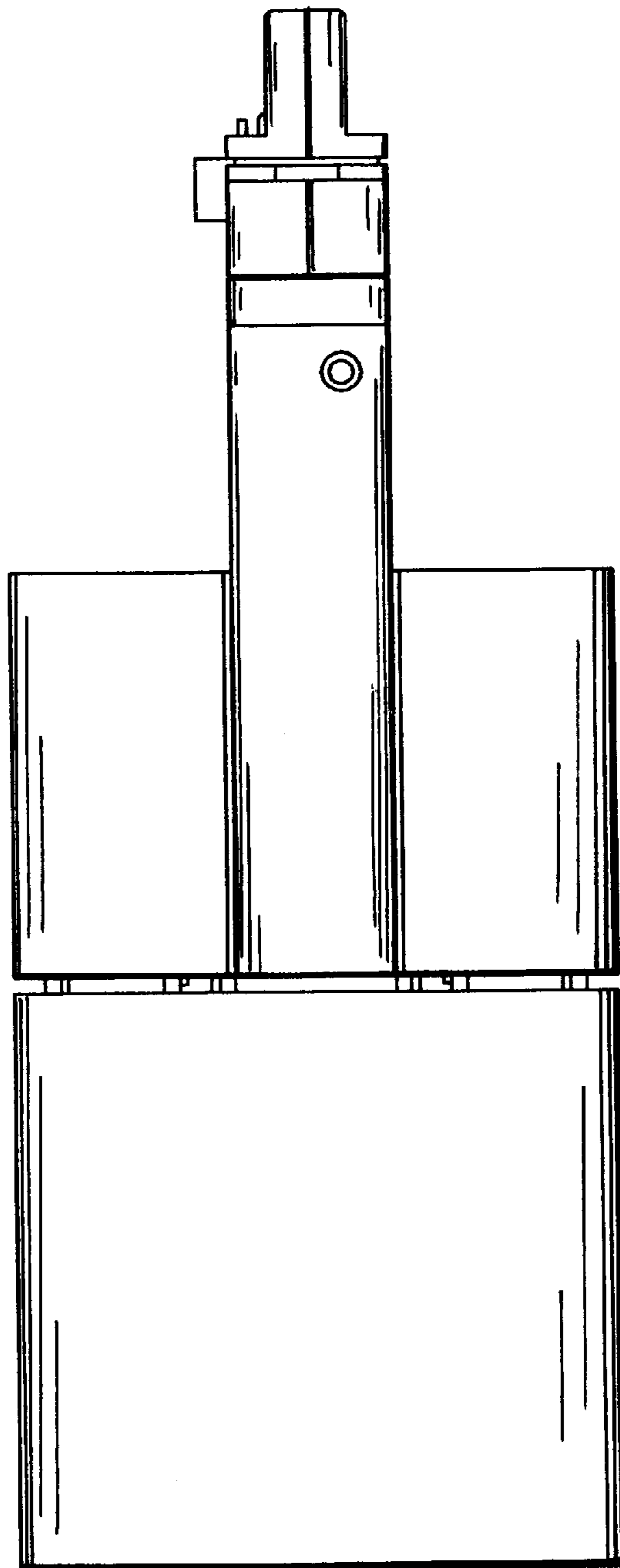


FIG. 1

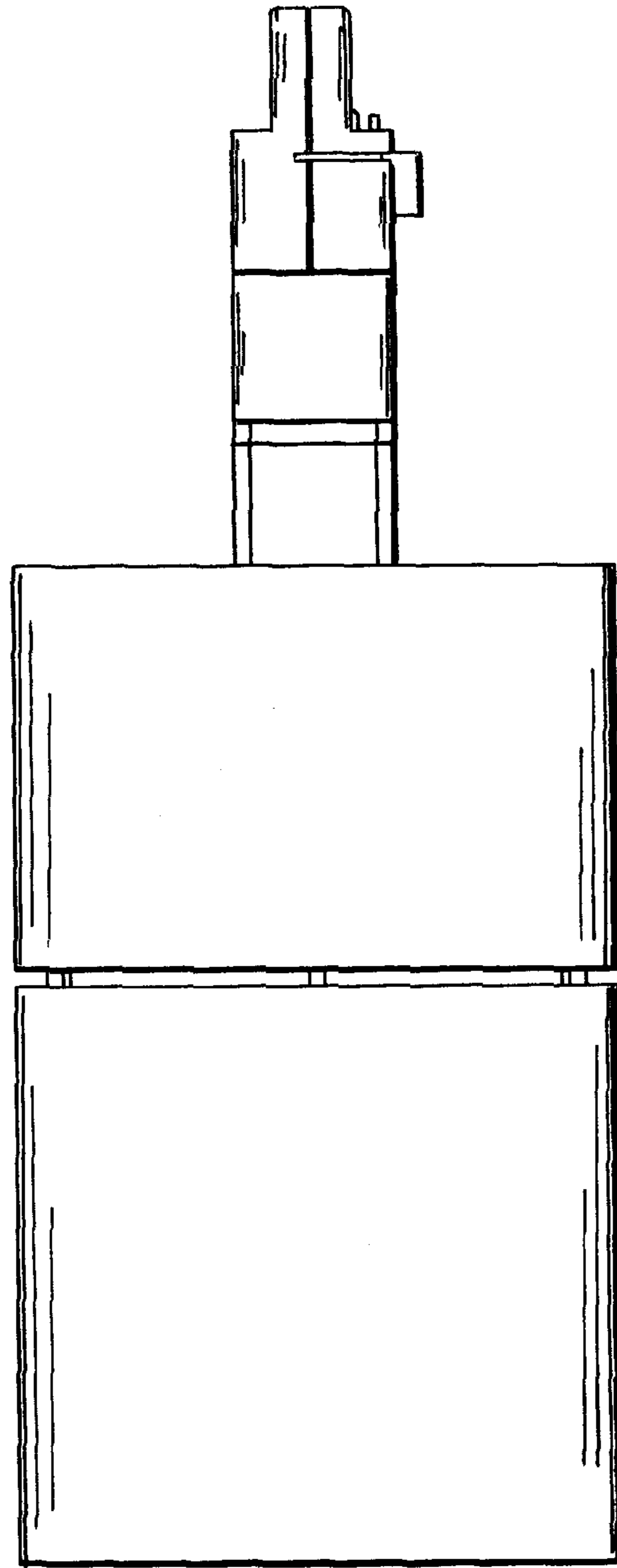


FIG. 2

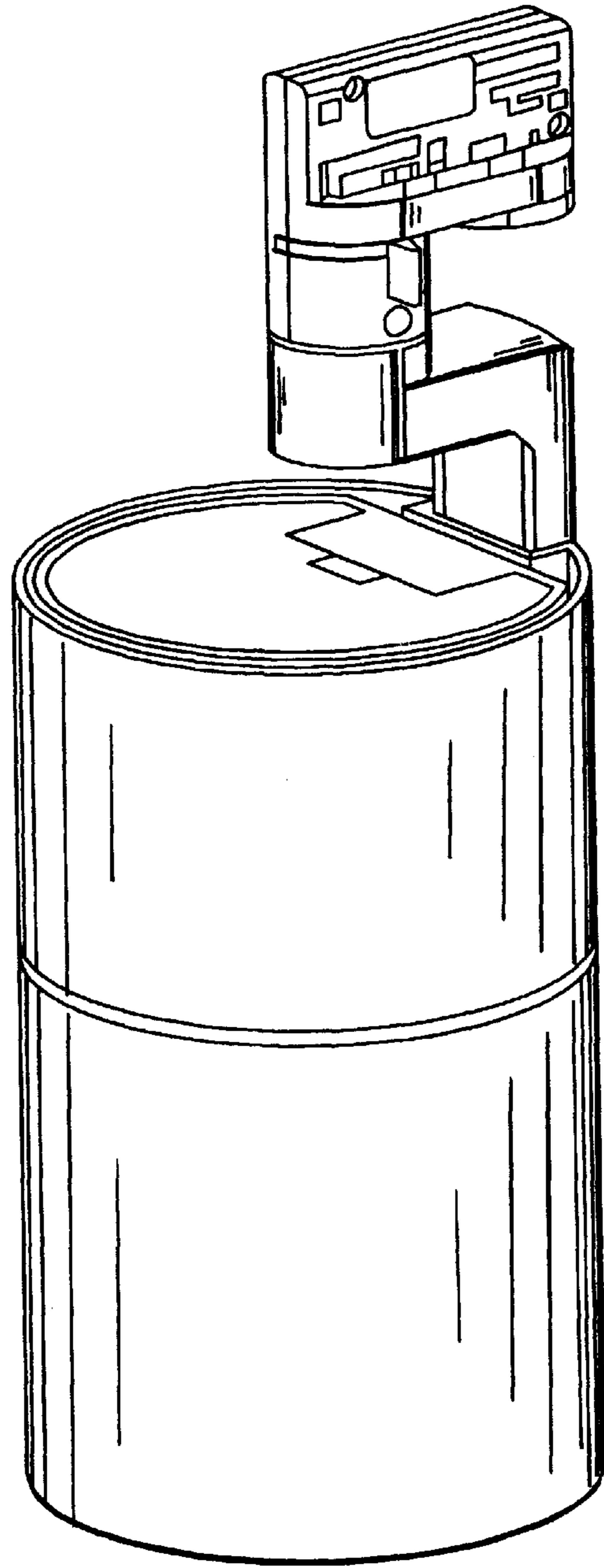


FIG. 3

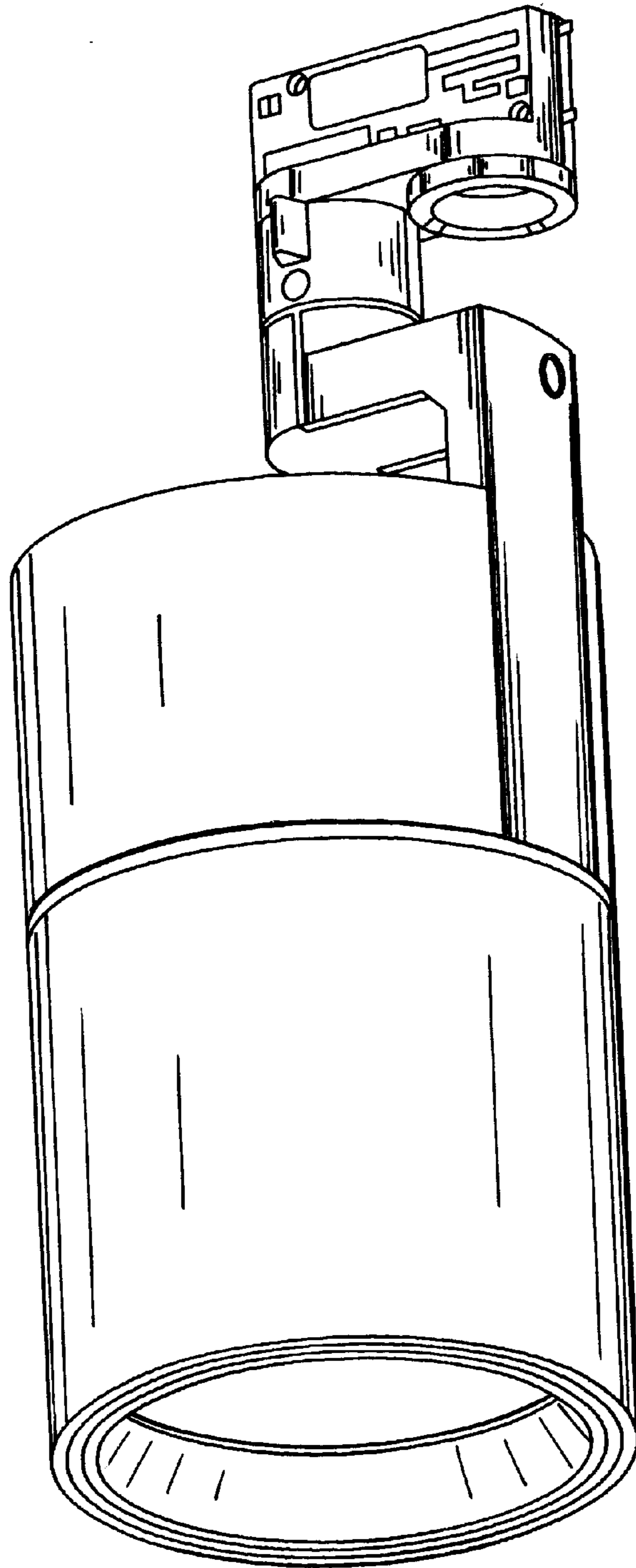


FIG. 4

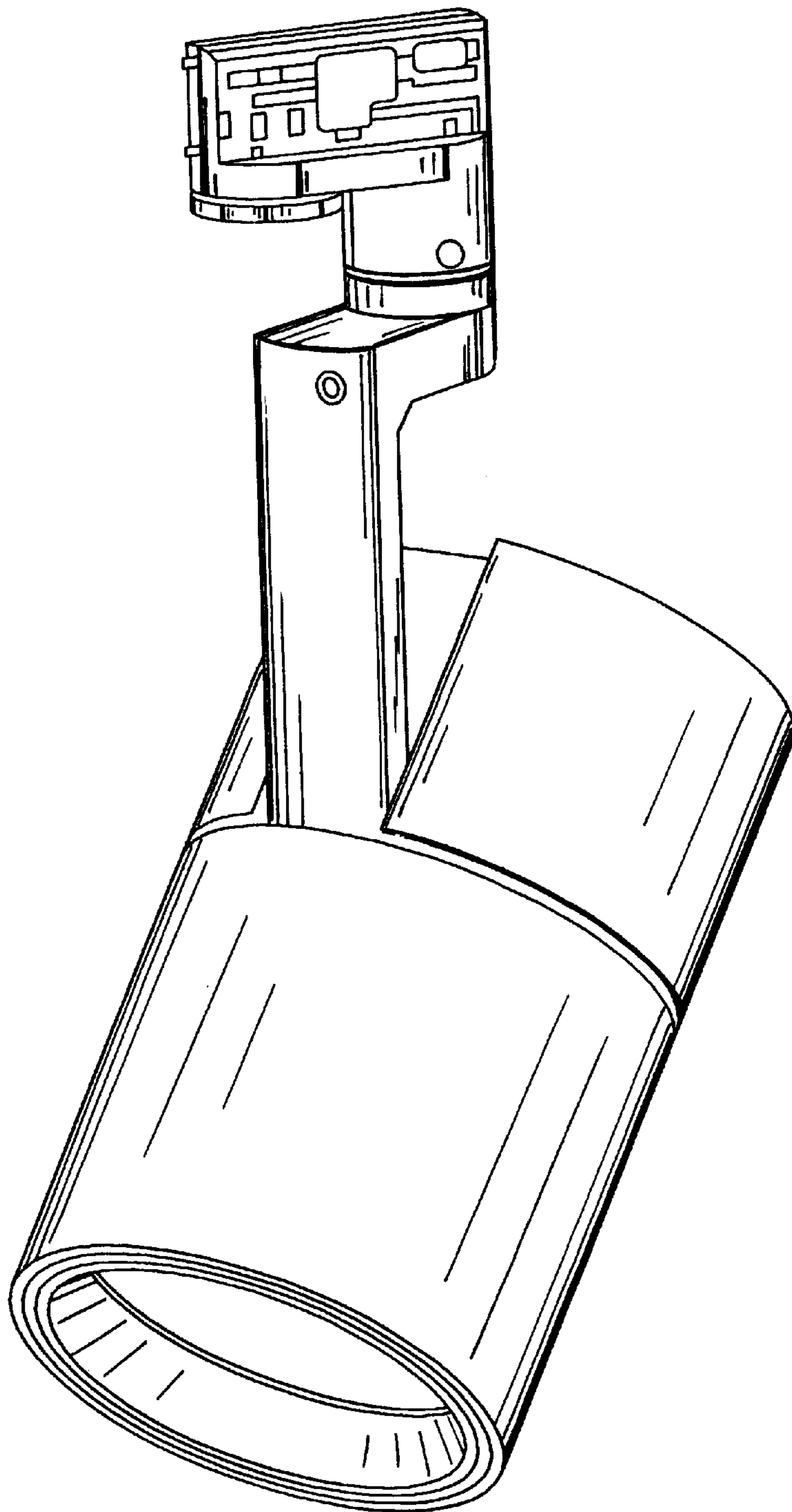


FIG. 5

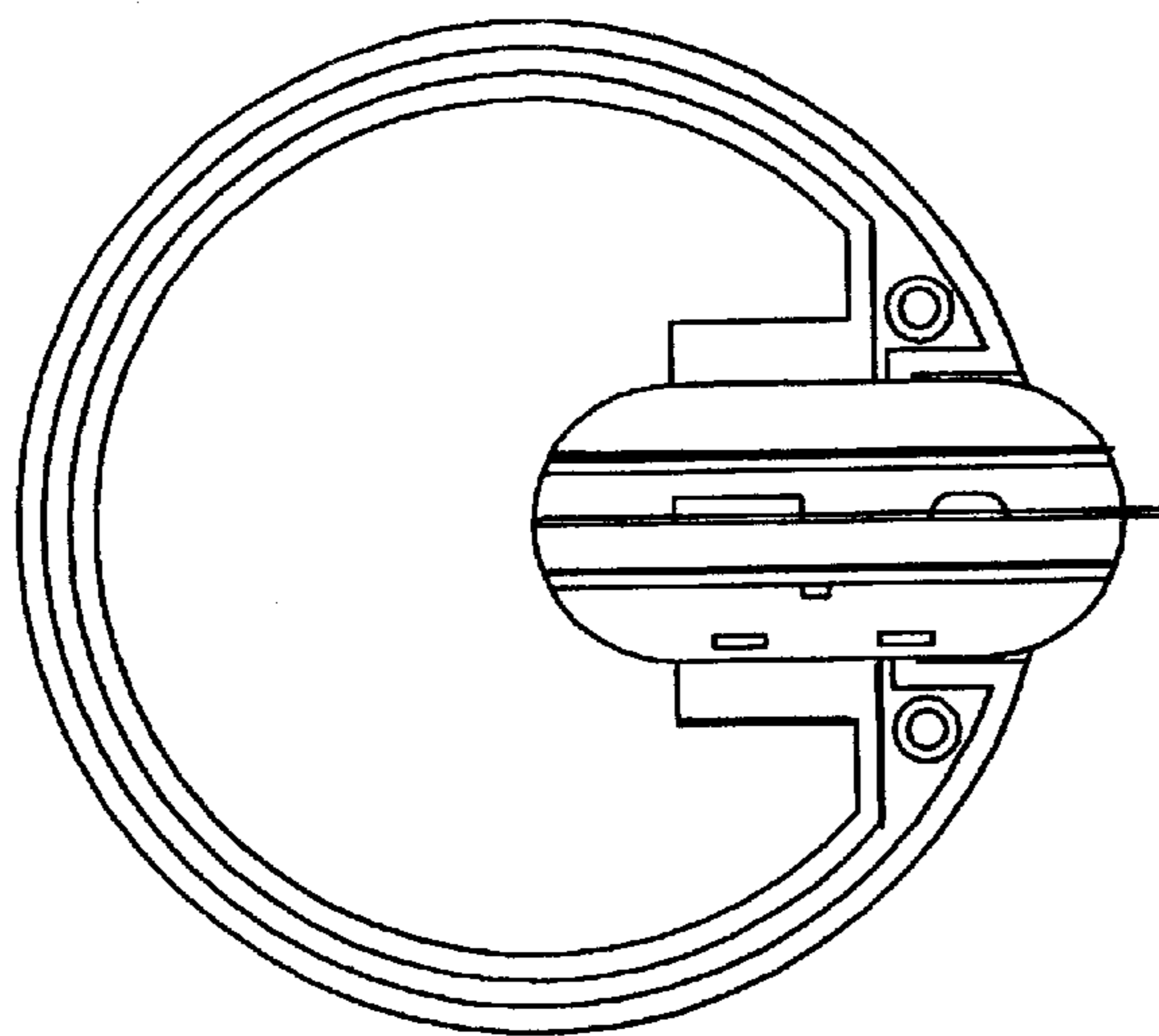


FIG. 6

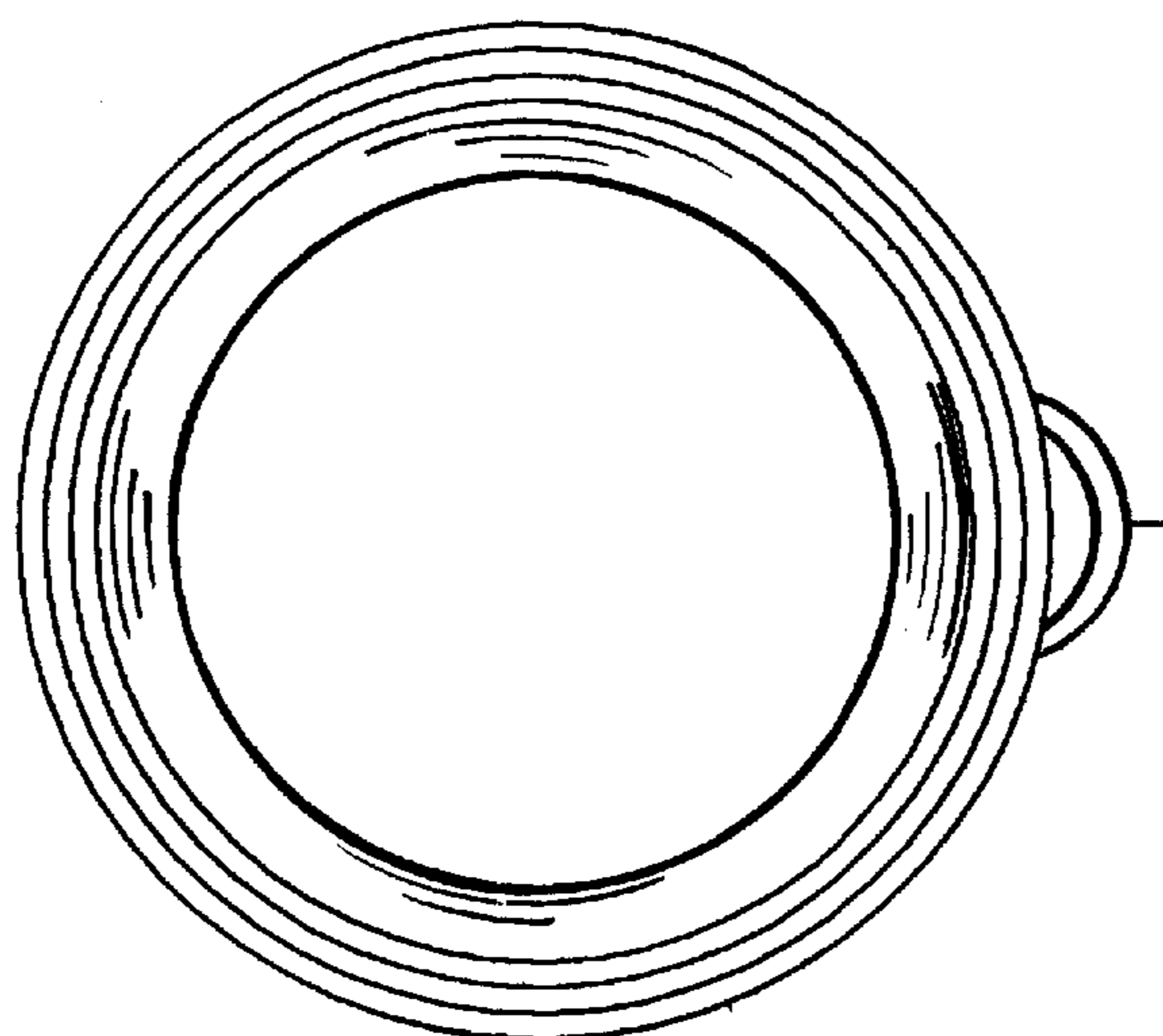


FIG. 7