



US00D541455S

(12) **United States Design Patent**
Panettone et al.

(10) **Patent No.:** **US D541,455 S**

(45) **Date of Patent:** **** Apr. 24, 2007**

(54) **ADJUSTABLE LIGHT**

6,170,967 B1 * 1/2001 Usher et al. 362/394
D441,113 S * 4/2001 Small et al. D26/63

(75) Inventors: **Loreto Panettone**, Yorkville, IL (US);
Thomas M. Danca, Tinley Park, IL
(US)

* cited by examiner

Primary Examiner—Clare E Heflin

(73) Assignee: **CNH America LLC**, New Holland, PA
(US)

(74) *Attorney, Agent, or Firm*—Stephen A. Bucchianeri;
John William Stader; Michael G. Harms

(**) Term: **14 Years**

(57) **CLAIM**

We claim the ornamental design for the adjustable light, as shown and described.

(21) Appl. No.: **29/219,295**

(22) Filed: **Dec. 15, 2004**

DESCRIPTION

(51) **LOC (8) Cl.** **26-05**

FIG. 1 is a front perspective view showing the adjustable light in its environment;

(52) **U.S. Cl.** **D26/60; D26/61**

FIG. 2 is a perspective view looking from the left, rear side of the light;

(58) **Field of Classification Search** D26/60–66,
D26/37, 80; 362/190, 191, 267, 215, 259,
362/273, 285, 287, 289, 396, 418, 427

FIG. 3 is a perspective view looking from the right, rear side of the light;

See application file for complete search history.

FIG. 4 is left-side view;

FIG. 5 is a right-side view;

FIG. 6 is a rear view;

FIG. 7 is a front view;

FIG. 8 is a top view; and,

FIG. 9 is a bottom view.

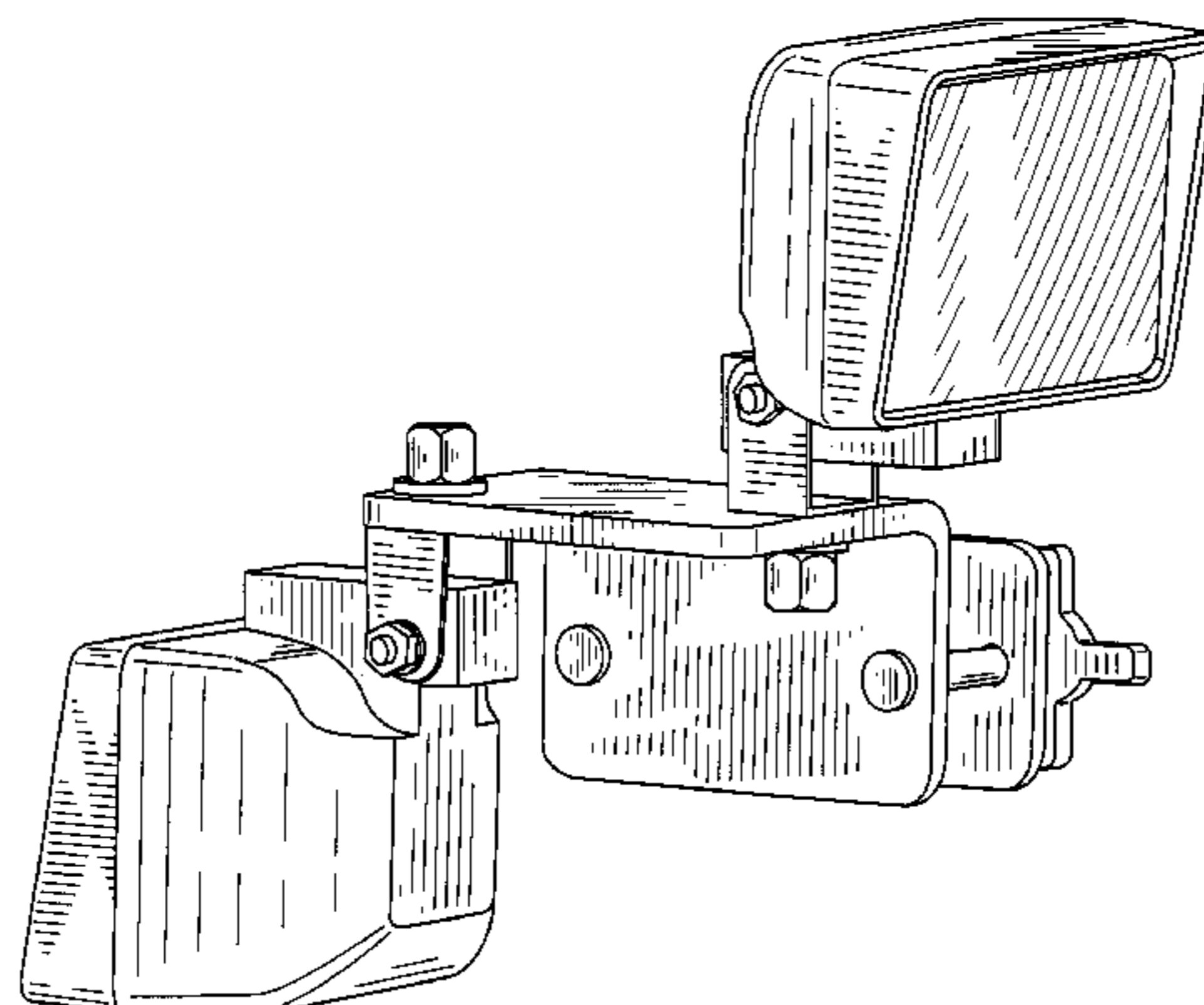
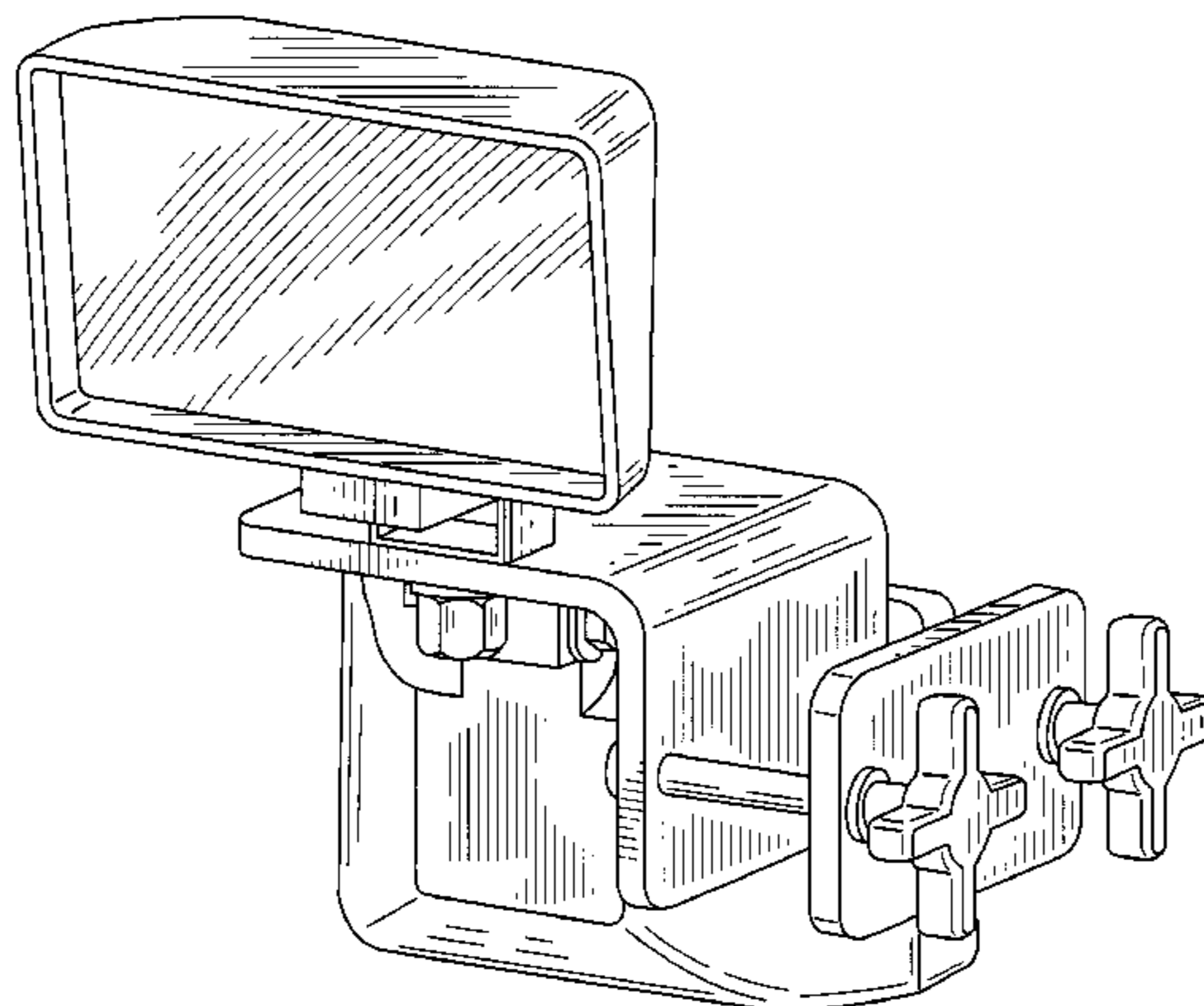
The broken lines shown on the drawings are for illustrative purposes only and form no part of the claimed design.

(56) **References Cited**

U.S. PATENT DOCUMENTS

1,965,664 A * 7/1934 Millspaugh 362/21
D109,509 S * 5/1938 Arenberg D26/60
D112,389 S * 11/1938 Toppin D26/60
D233,779 S * 11/1974 Kennedy et al. D26/63
D360,960 S * 8/1995 Wedell et al. D26/63
D420,458 S * 2/2000 Guercio D26/63
6,086,228 A * 7/2000 McGowan et al. 362/396

1 Claim, 9 Drawing Sheets



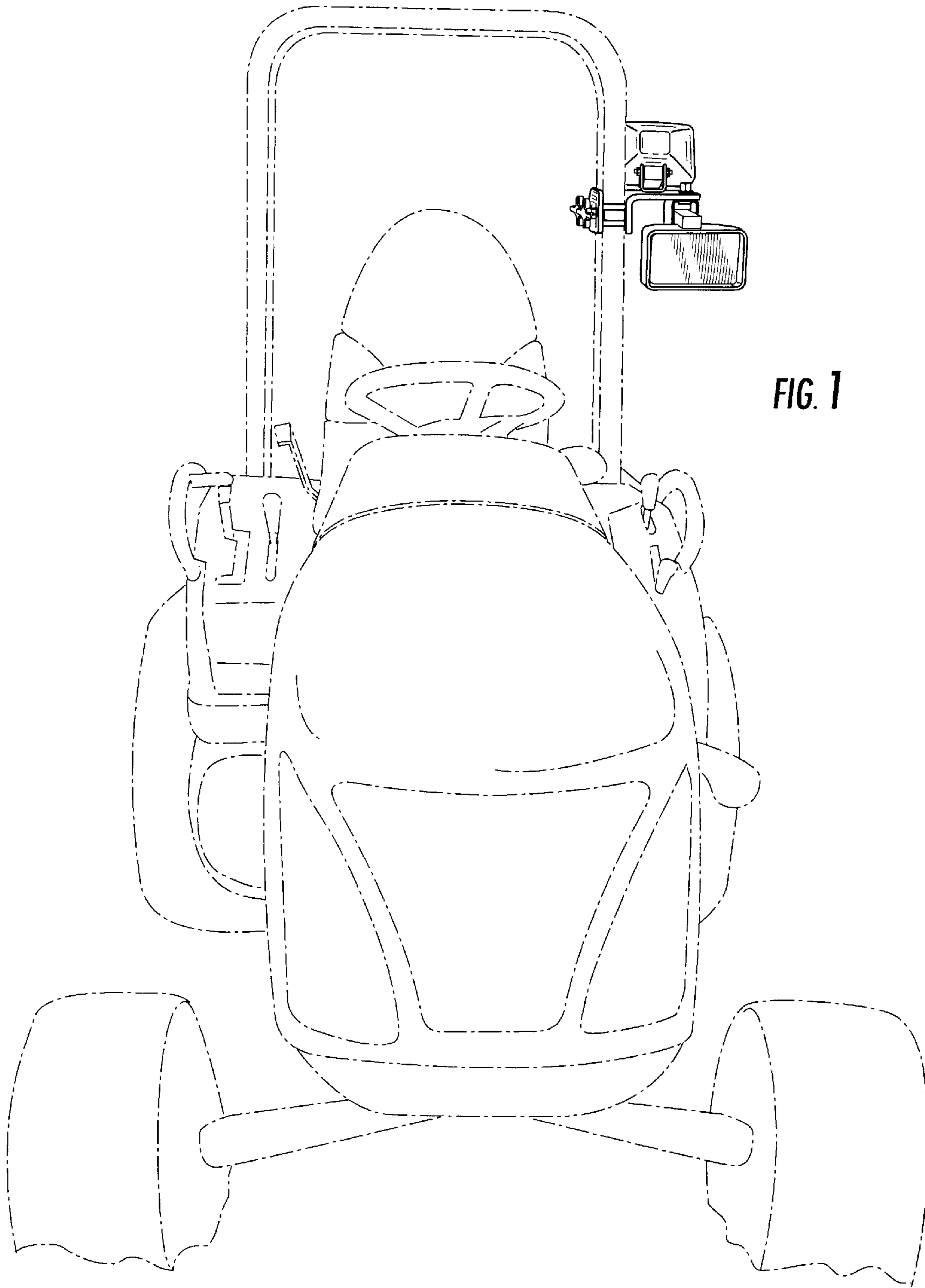
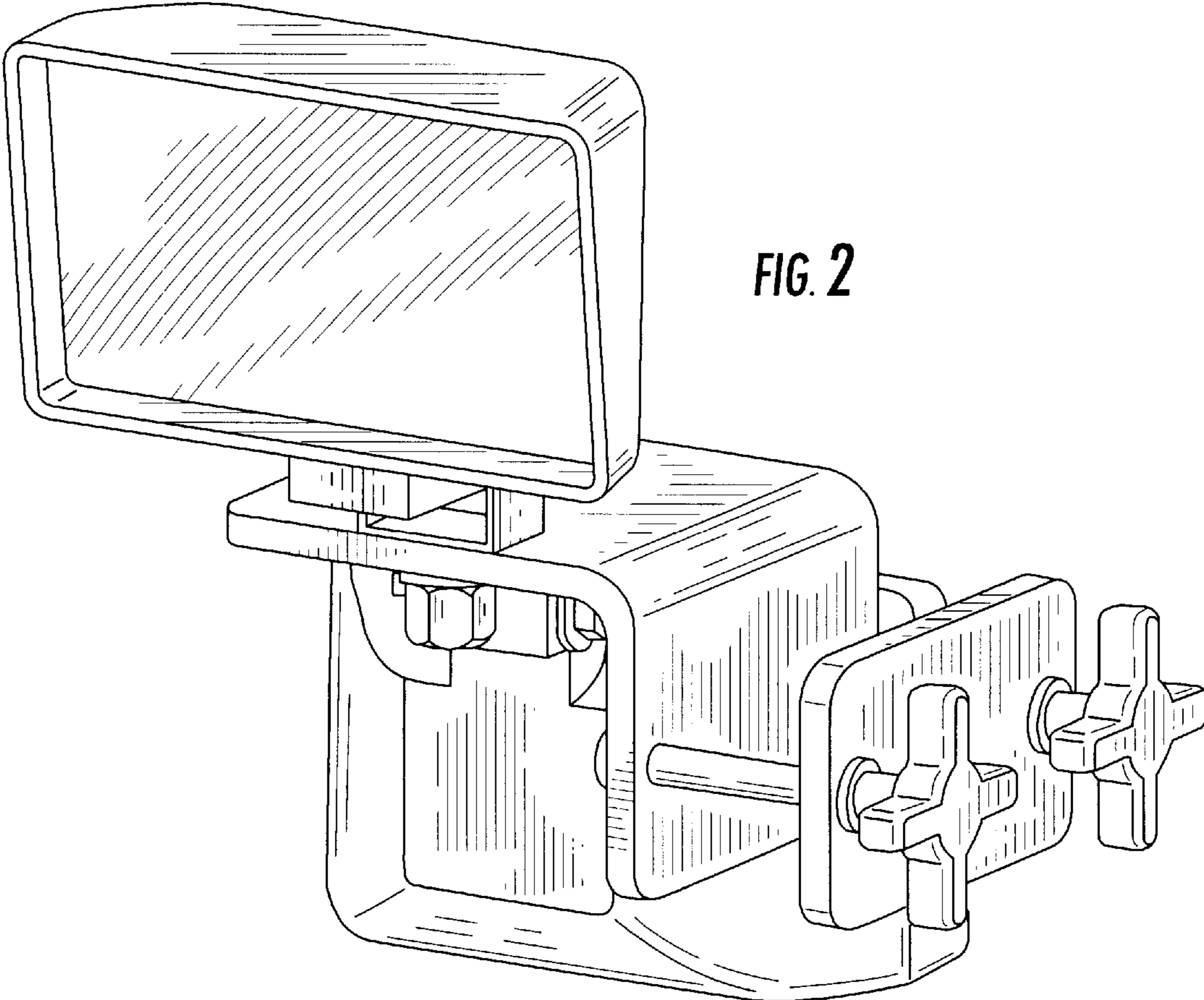


FIG. 1



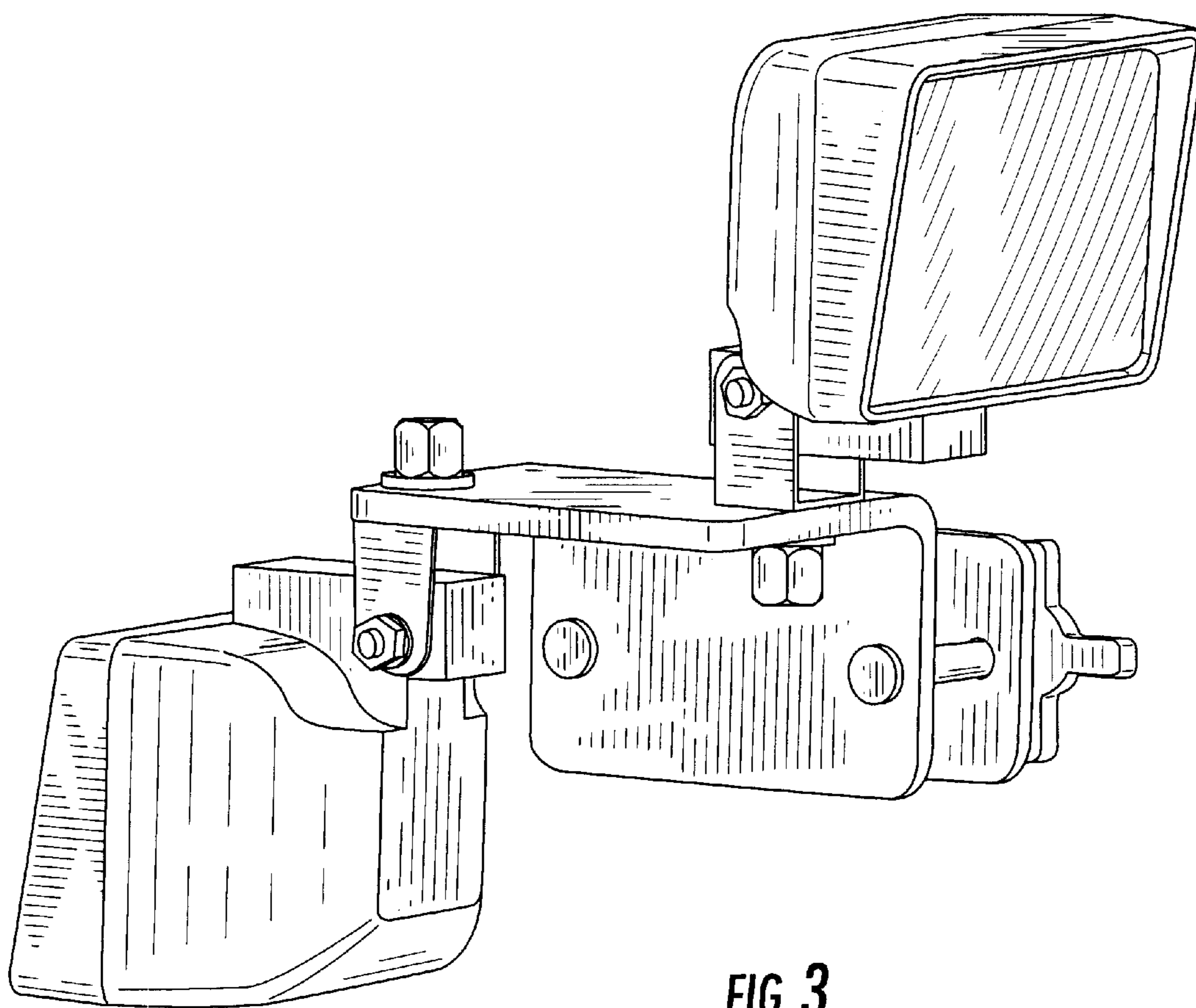


FIG. 3

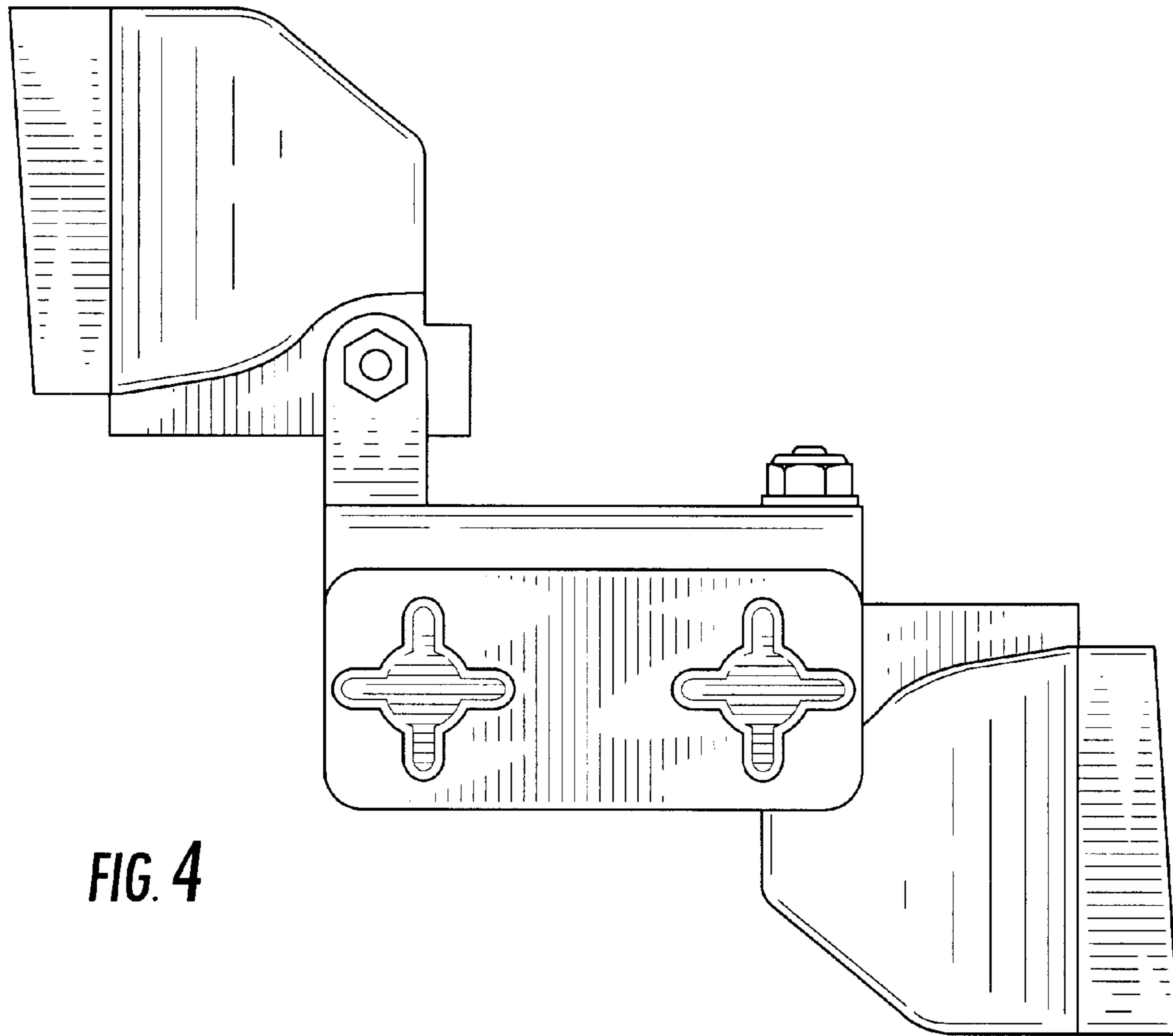
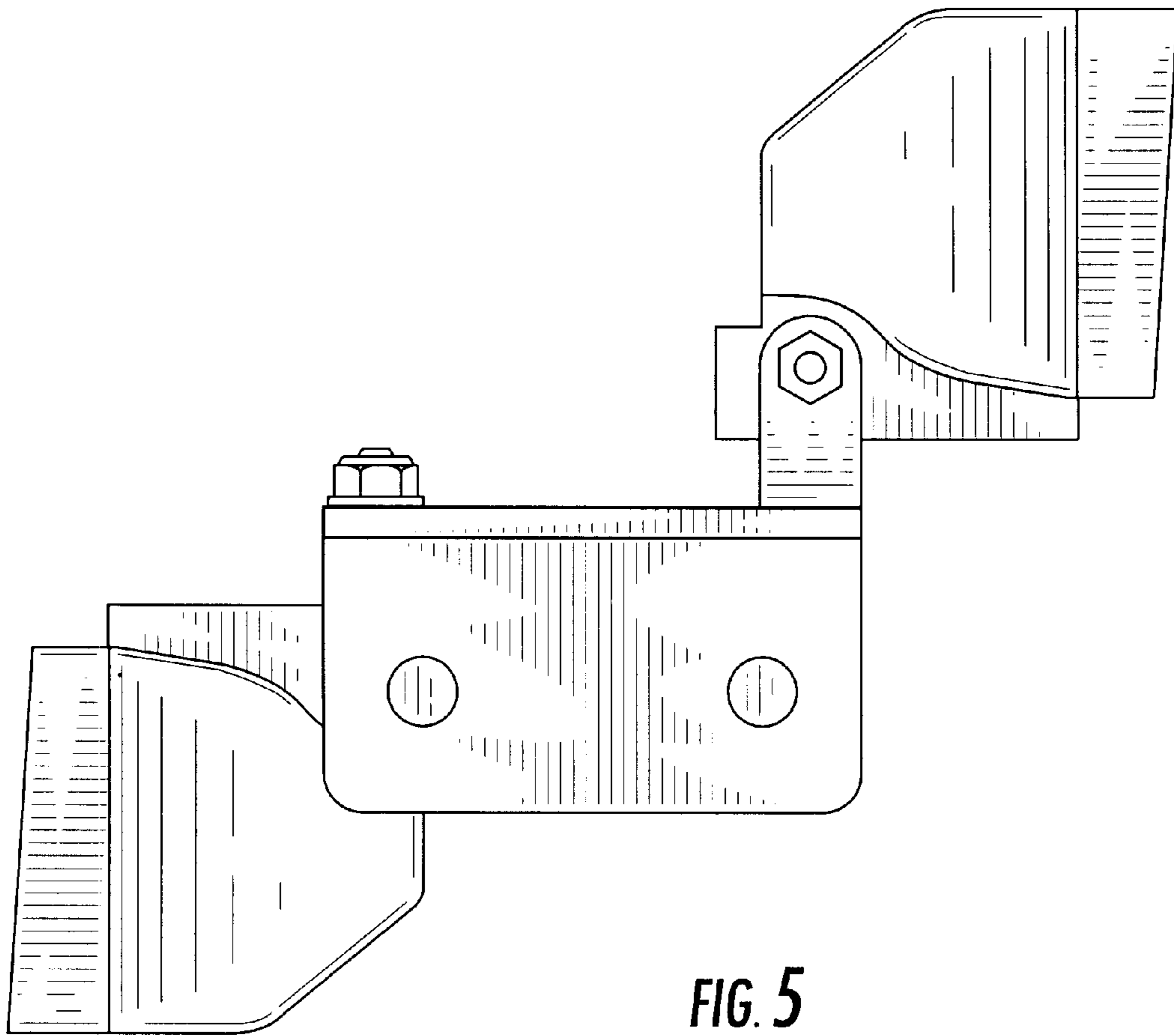


FIG. 4



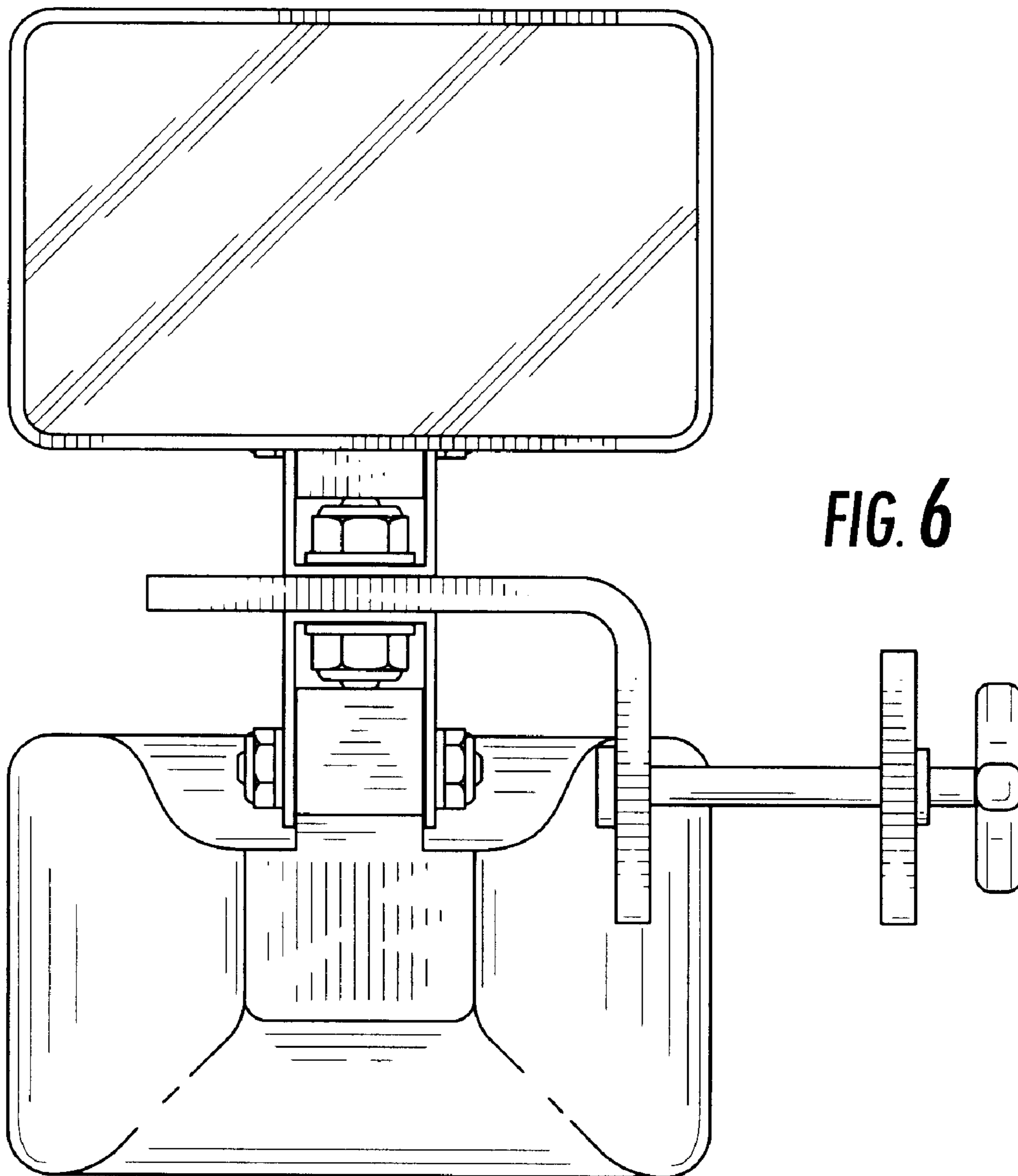


FIG. 6

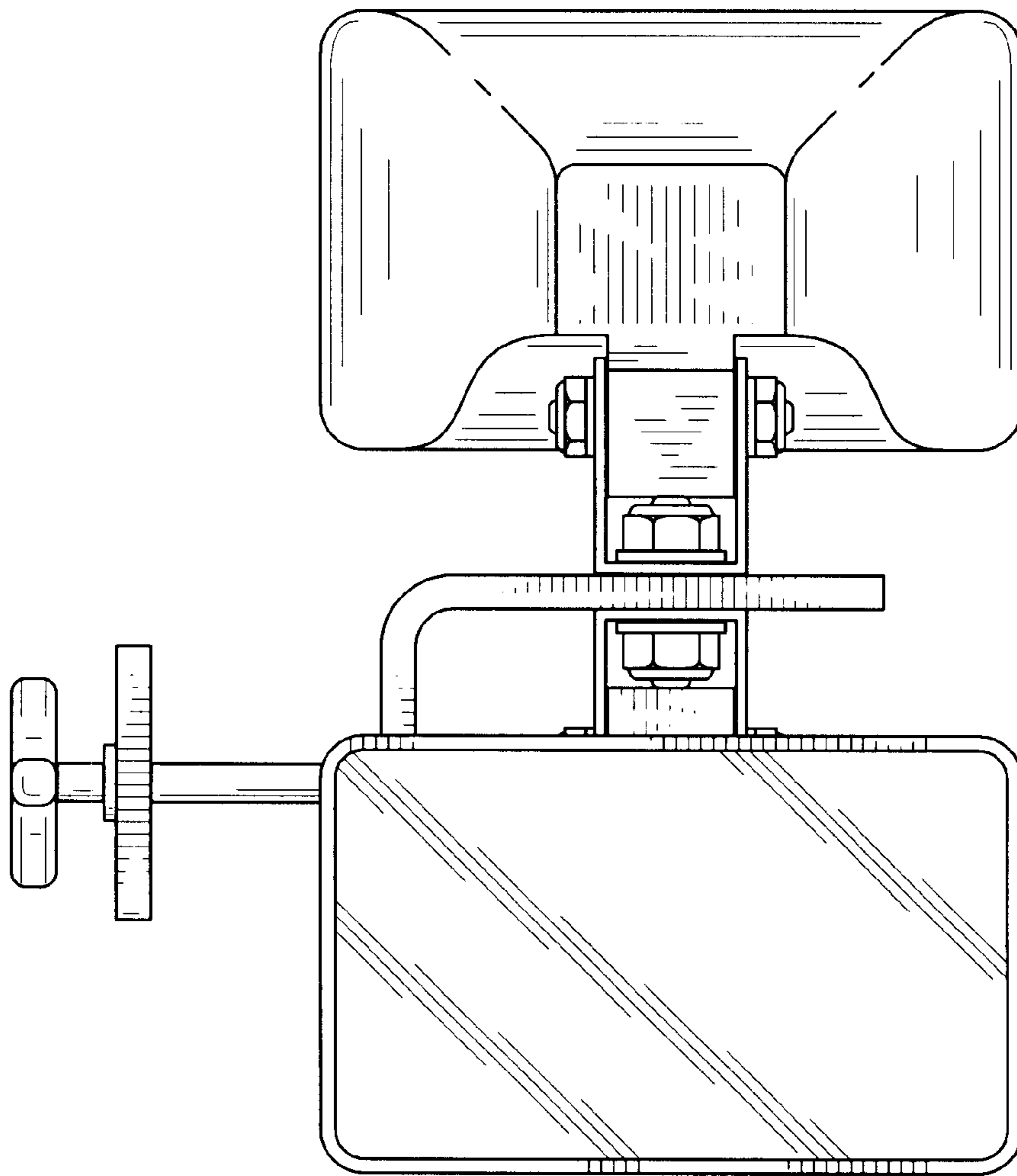


FIG. 7

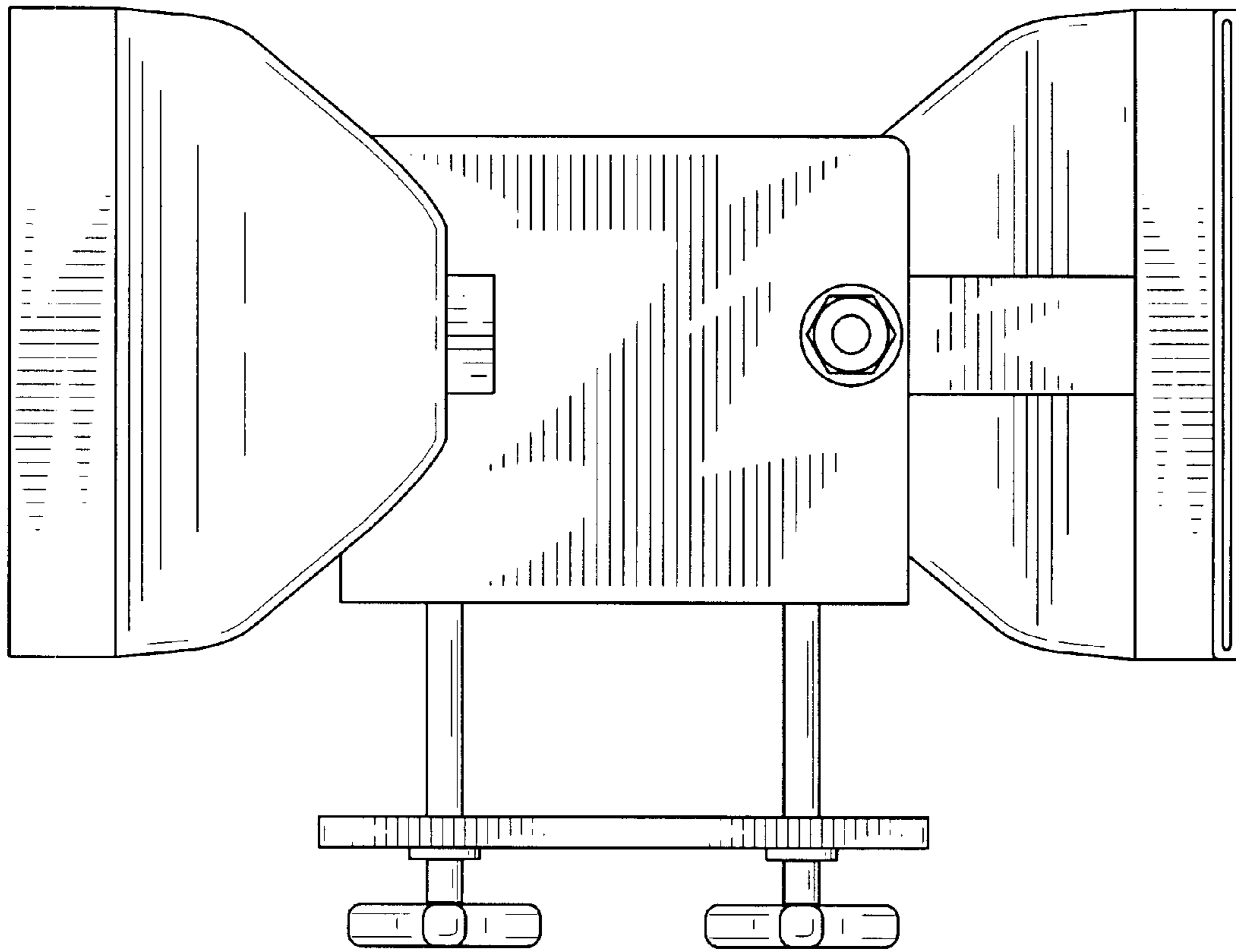


FIG. 8

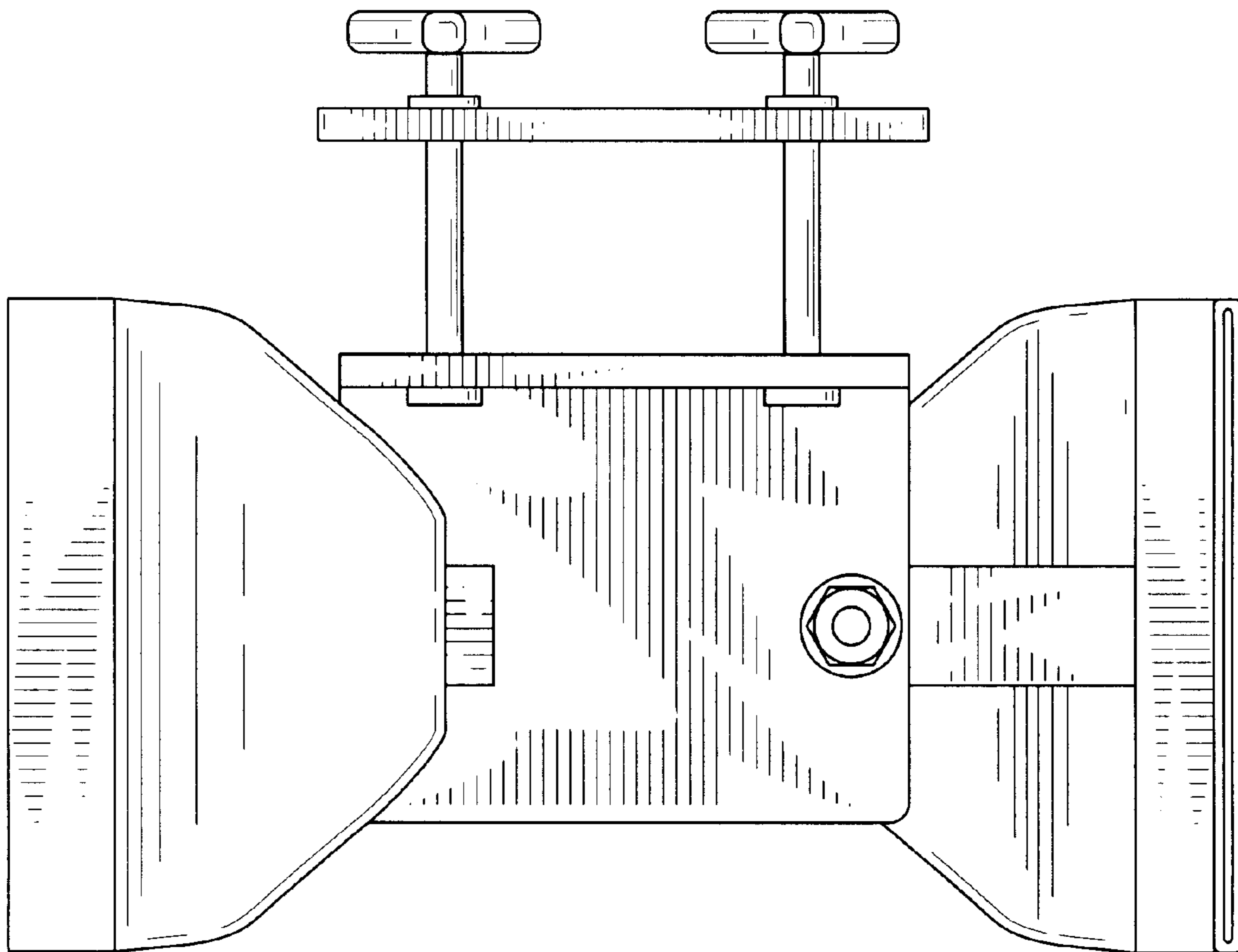


FIG. 9