



US00D541453S

(12) **United States Design Patent**  
**Lau**

(10) **Patent No.:** **US D541,453 S**

(45) **Date of Patent:** **\*\* Apr. 24, 2007**

(54) **LANTERN**

(75) Inventor: **Fermi Lau**, Kowloon (CN)

(73) Assignee: **Foundton Company Limited**,  
Kowloon, Hong Kong (CN)

(\*\*) Term: **14 Years**

(21) Appl. No.: **29/265,883**

(22) Filed: **Sep. 11, 2006**

(30) **Foreign Application Priority Data**

Mar. 14, 2006 (HK) ..... 0600610.0

(51) **LOC (8) Cl.** ..... **26-02**

(52) **U.S. Cl.** ..... **D26/40**

(58) **Field of Classification Search** ..... D26/37,  
D26/38, 39, 40, 41, 42, 43, 44, 48, 50; 362/172,  
362/173, 179, 180, 181, 182, 186, 392, 394,  
362/395, 396, 399, 280, 161, 162, 158, 183,  
362/184, 188, 360, 362, 372, 376, 388, 185,  
362/374, 375

See application file for complete search history.

(56) **References Cited**

**U.S. PATENT DOCUMENTS**

3,941,554 A \* 3/1976 Curtis ..... 431/89

D351,479 S \* 10/1994 Meyer ..... D26/37  
D429,354 S \* 8/2000 Petterson ..... D26/40  
D433,762 S \* 11/2000 Yuen ..... D26/40  
D468,039 S \* 12/2002 Poon ..... D26/40  
D503,006 S \* 3/2005 May et al. .... D26/40  
D513,334 S \* 12/2005 Galey ..... D26/37  
D527,128 S \* 8/2006 Lo et al. .... D26/40  
2004/0209210 A1 \* 10/2004 Long ..... 431/111  
2005/0286254 A1 \* 12/2005 Richardson et al. .... 362/388

\* cited by examiner

*Primary Examiner*—Ian Simmons

*Assistant Examiner*—Carissa Fitts

(74) *Attorney, Agent, or Firm*—Alix, Yale & Ristas, LLP

(57) **CLAIM**

The ornamental design for a lantern, as shown and described.

**DESCRIPTION**

FIG. 1 is a front elevational view of a lantern showing my new design;

FIG. 2 is a rear view thereof;

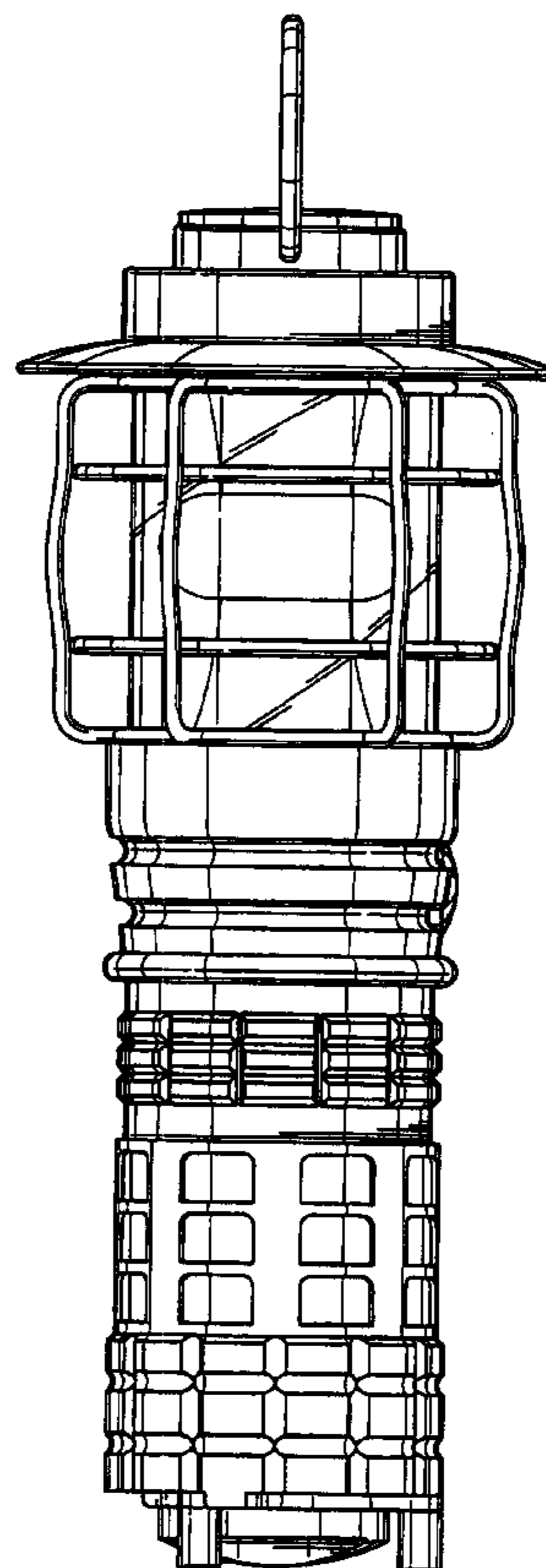
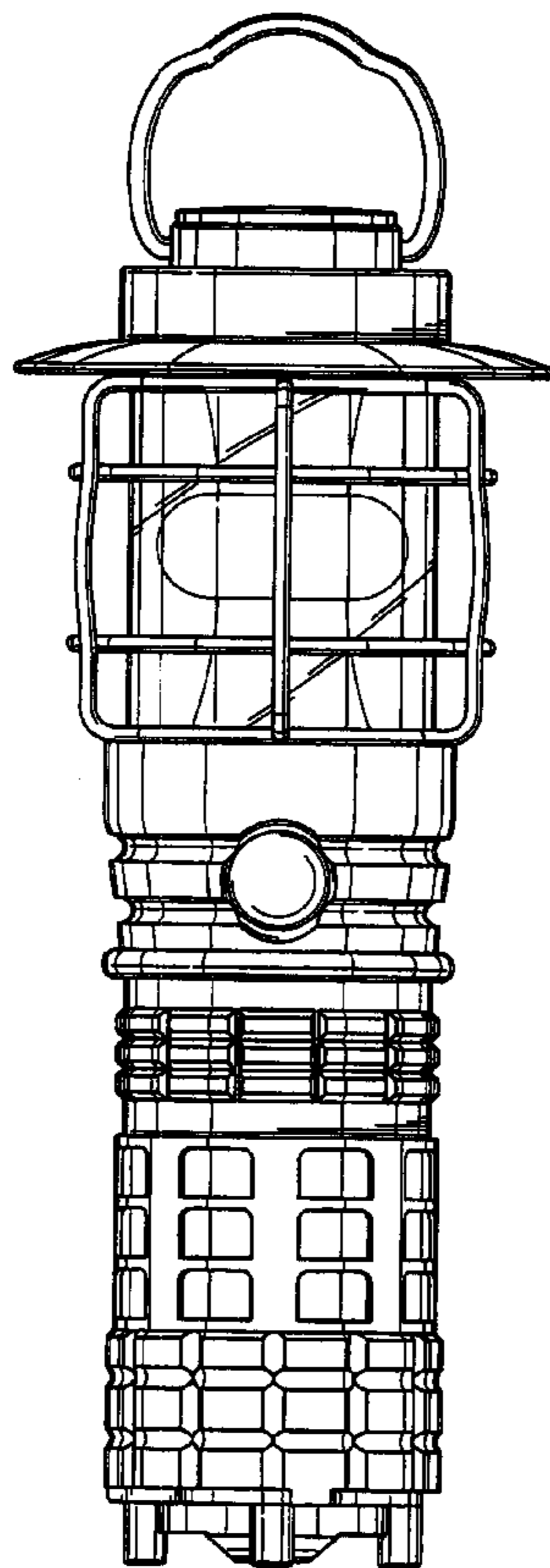
FIG. 3 is a left side elevational view thereof;

FIG. 4 is a right side elevational view thereof;

FIG. 5 is a top plan view thereof; and,

FIG. 6 is a bottom plan view thereof.

**1 Claim, 3 Drawing Sheets**



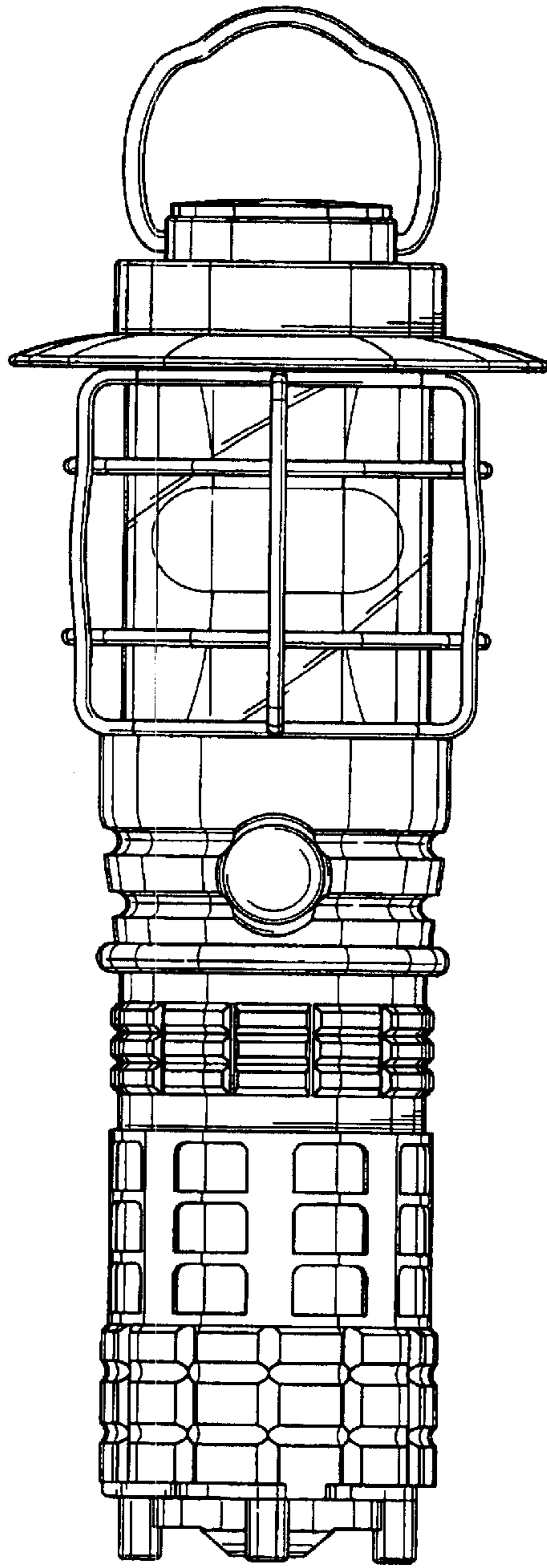


FIG. 1

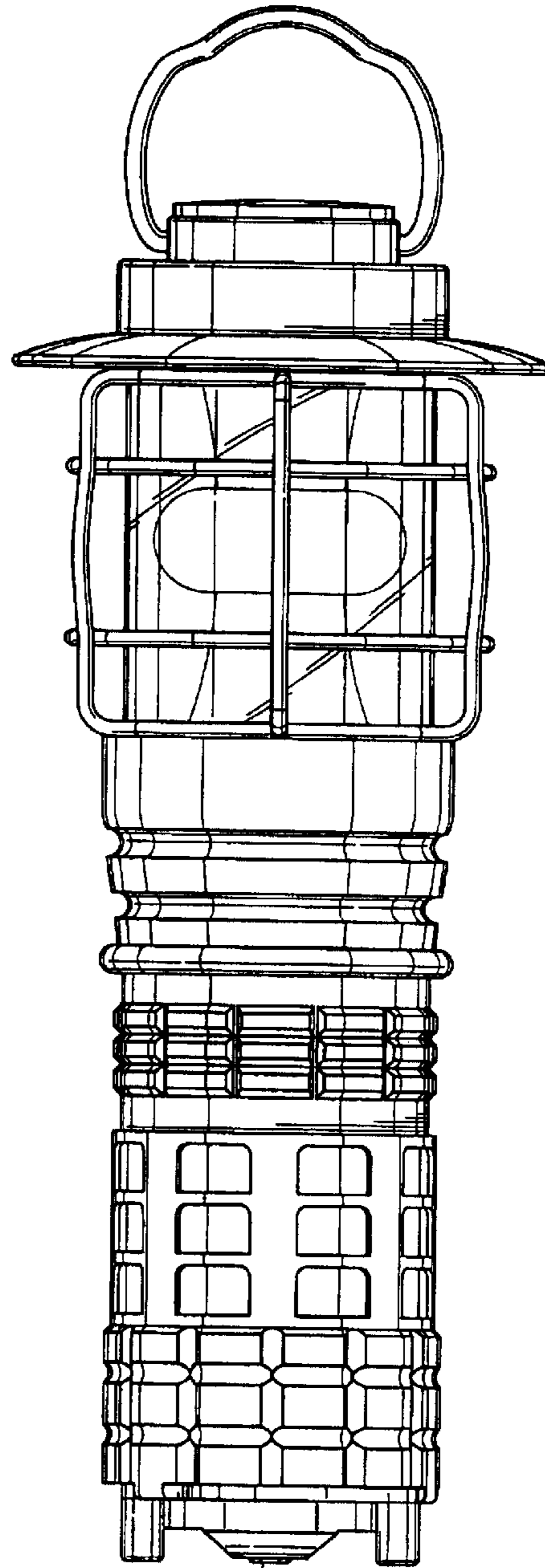


FIG. 2

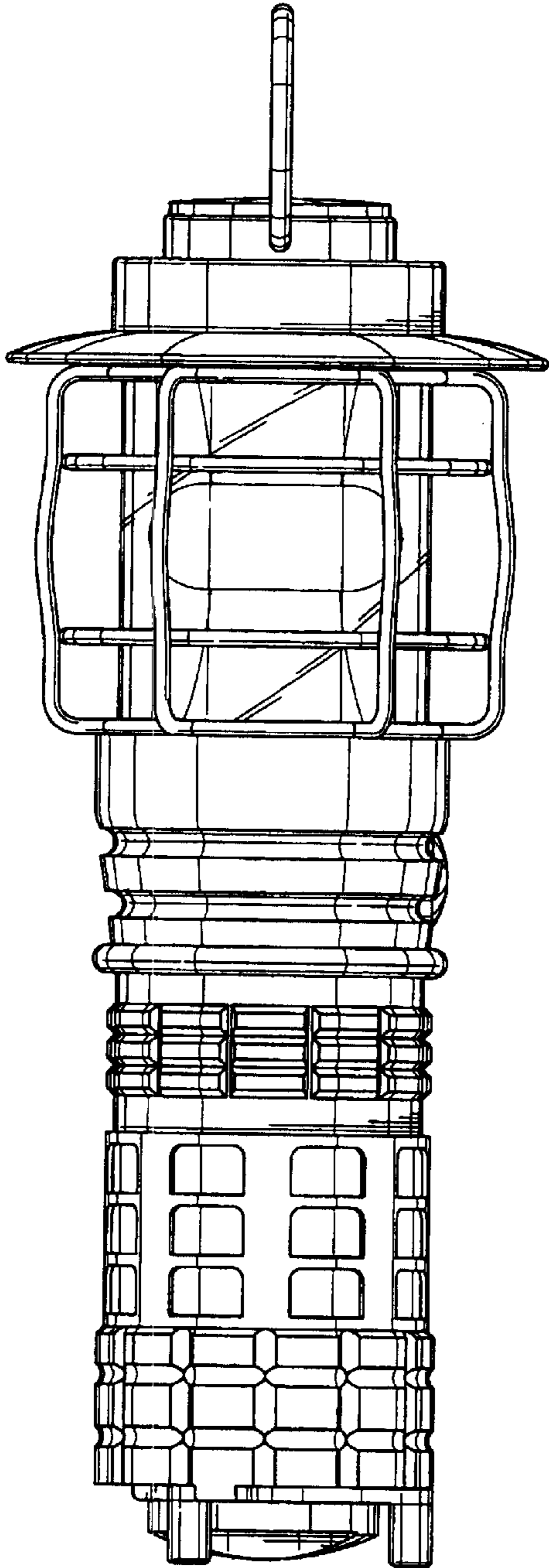


FIG. 3

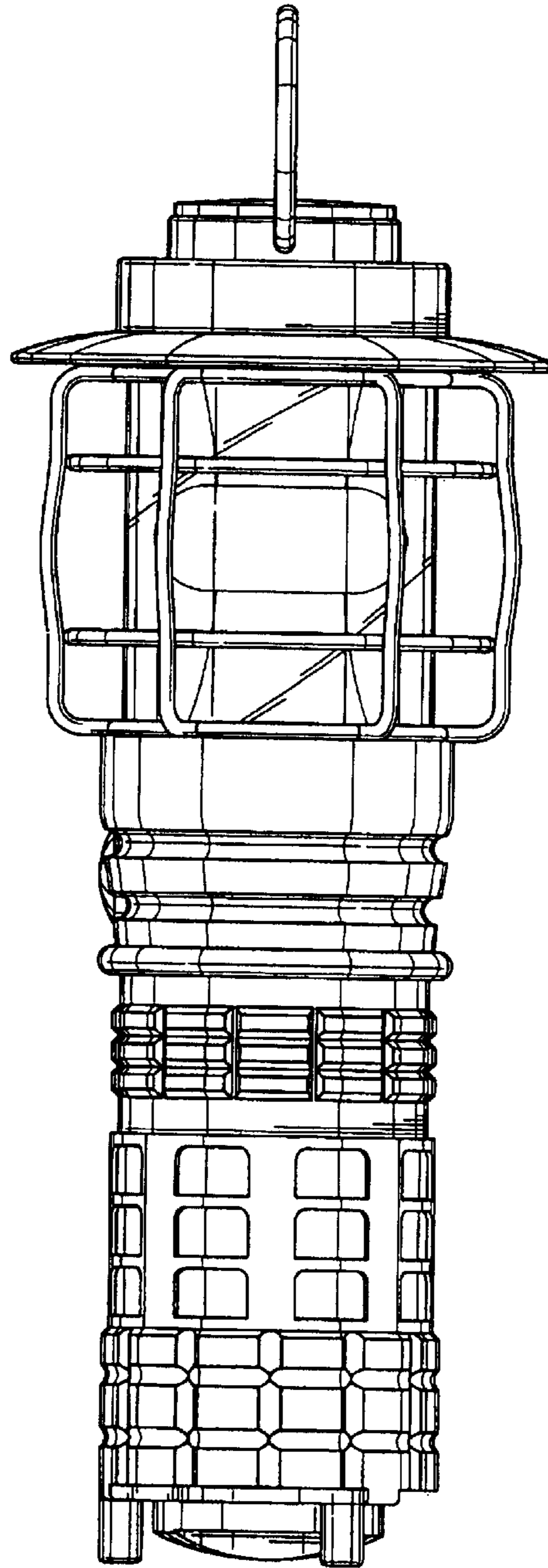


FIG. 4

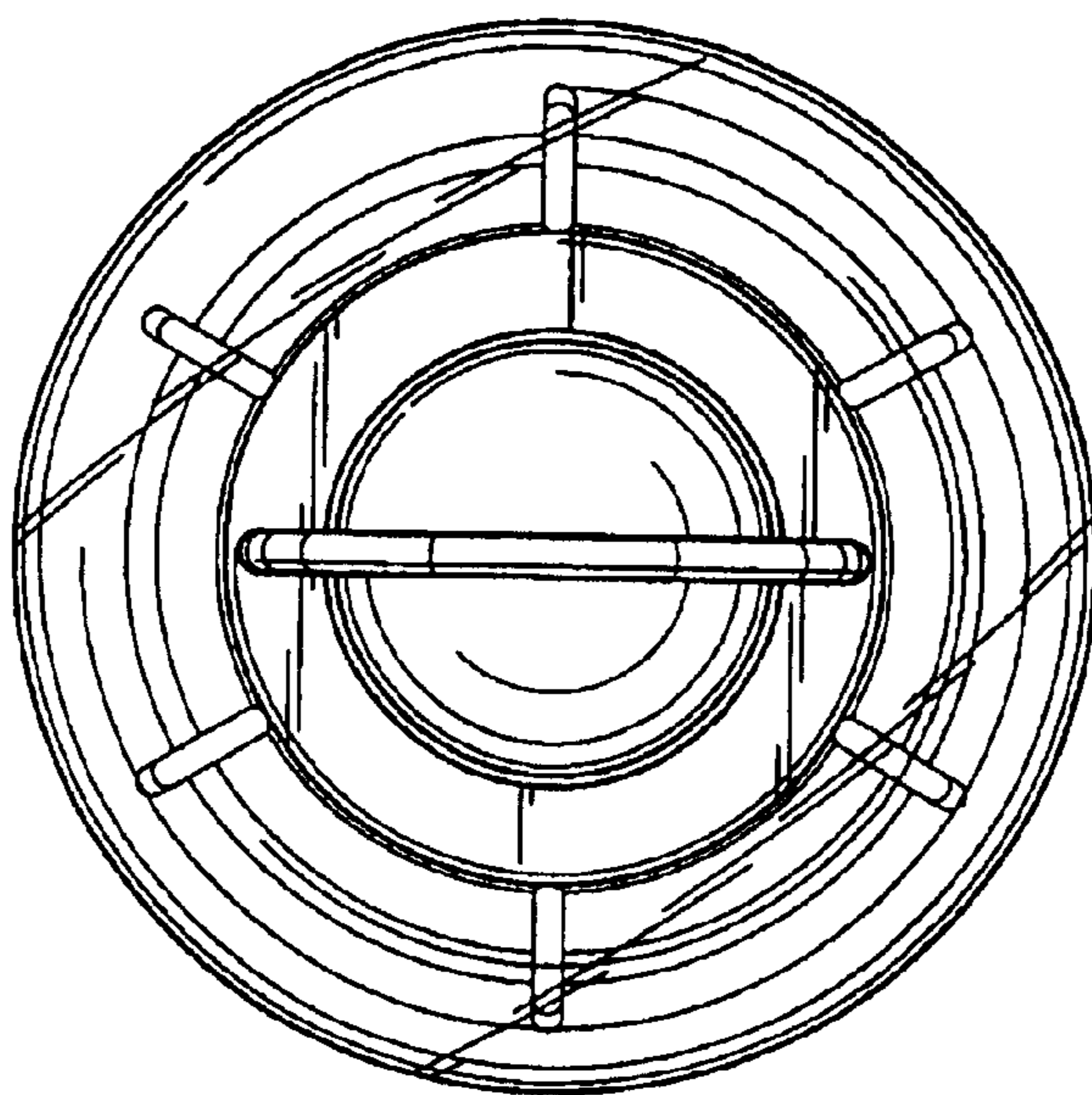


FIG. 5

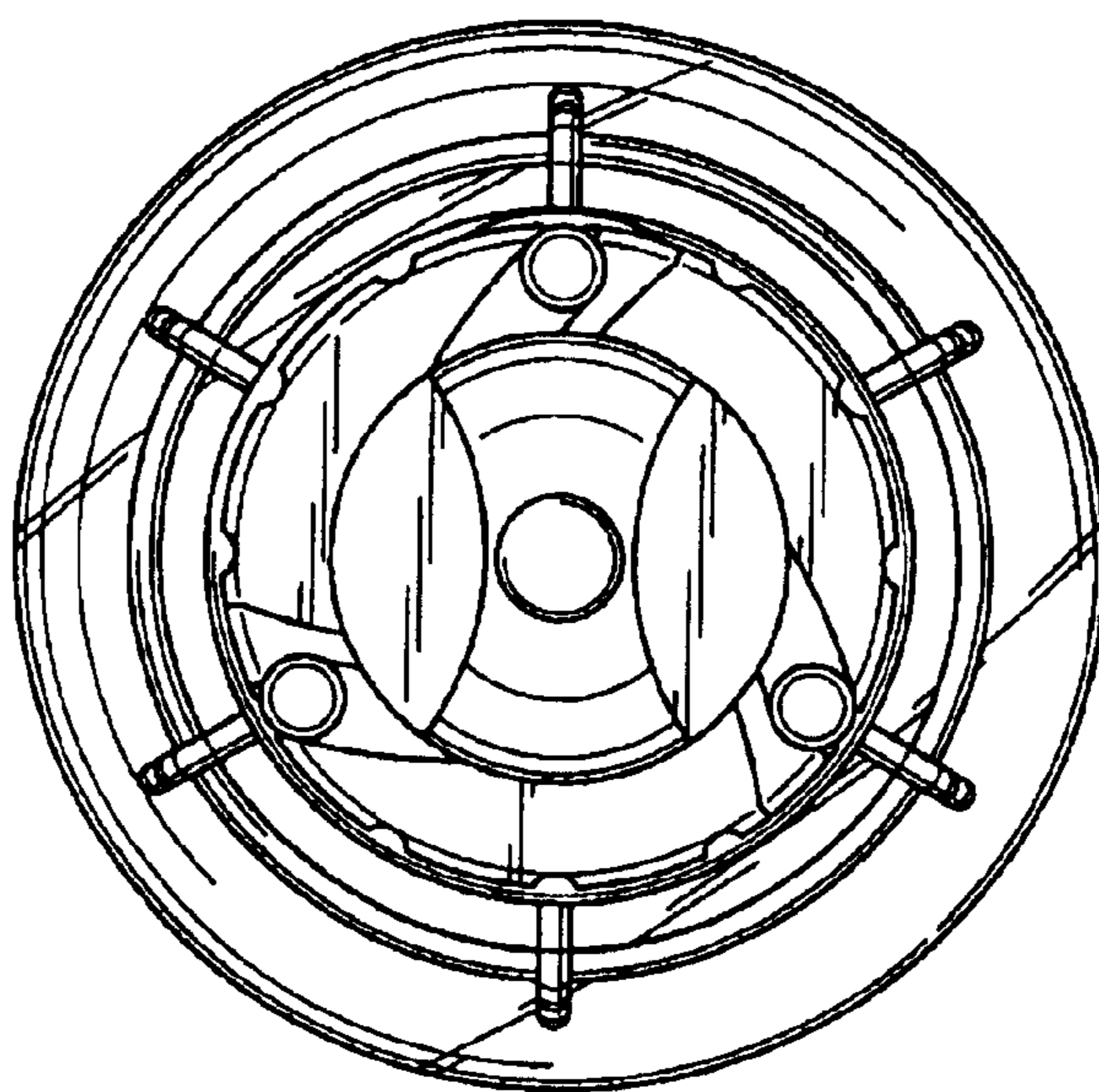


FIG. 6