



US00D541449S

(12) **United States Design Patent** (10) **Patent No.:** **US D541,449 S**
Rogers (45) **Date of Patent:** **** Apr. 24, 2007**

(54) **SINGLE TAIL LIGHT MODULE**
(75) Inventor: **Thomas W. Rogers**, Marshal, MI (US)
(73) Assignee: **Cequent Electrical Products**,
Tekonsha, MI (US)
(**) Term: **14 Years**

(21) Appl. No.: **29/261,866**
(22) Filed: **Jun. 21, 2006**
(51) **LOC (8) Cl.** **26-06**
(52) **U.S. Cl.** **D26/28**
(58) **Field of Classification Search** D26/28-36;
362/459-468, 475-478, 485-487
See application file for complete search history.

(56) **References Cited**
U.S. PATENT DOCUMENTS
D410,758 S * 6/1999 Reinbach D26/28
D417,298 S 11/1999 Paffrath et al.
D436,194 S * 1/2001 Reinbach D26/28
D439,687 S 3/2001 Iacovelli et al.
D510,635 S 10/2005 Rogers et al.
D530,437 S * 10/2006 Neufeglise et al. D26/28
D531,332 S * 10/2006 Duvall et al. D26/28

* cited by examiner

Primary Examiner—Marcus A. Jackson
(74) *Attorney, Agent, or Firm*—McDonald Hopkins LLC;
Robert H. Earp, III; David J. Smith

(57) **CLAIM**

The ornamental design for a single tail light module, as shown and described.

DESCRIPTION

FIG. 1 is a perspective view of an embodiment of a single tail light module showing my new design in an assembled state as seen from the top, front, and right side thereof;

FIG. 2 is a front plan view thereof;

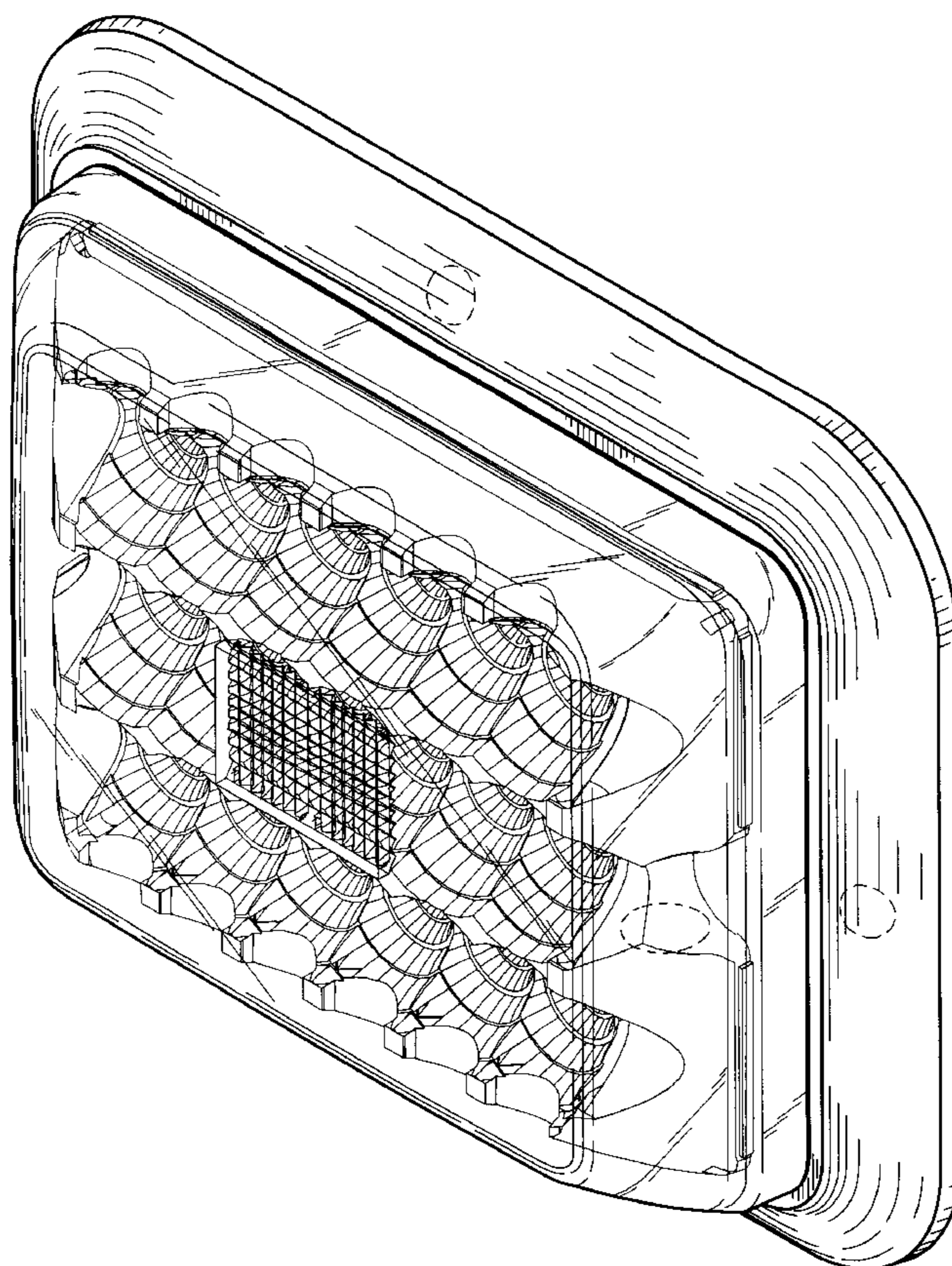
FIG. 3 is a rear plan view thereof;

FIG. 4 is a top plan view thereof, the bottom plan view being a mirror image of the top plan view; and,

FIG. 5 is a right side elevational view thereof, the left side elevational view being a mirror image of the right side elevational view.

The broken lines in FIGS. 1, 2, 3, 4, and 5 are used for illustrative purposes only and form no part of the claimed design.

1 Claim, 3 Drawing Sheets



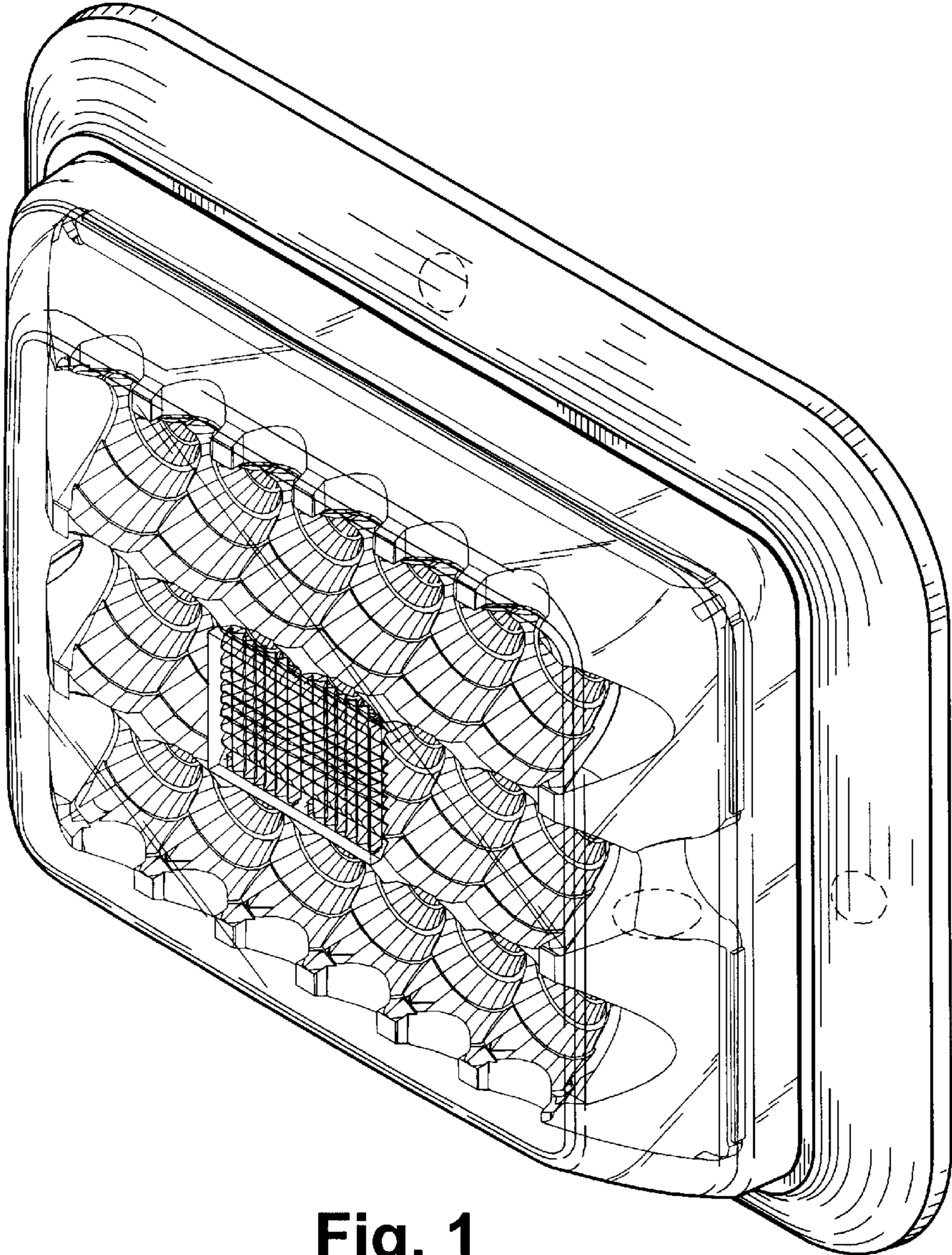


Fig. 1

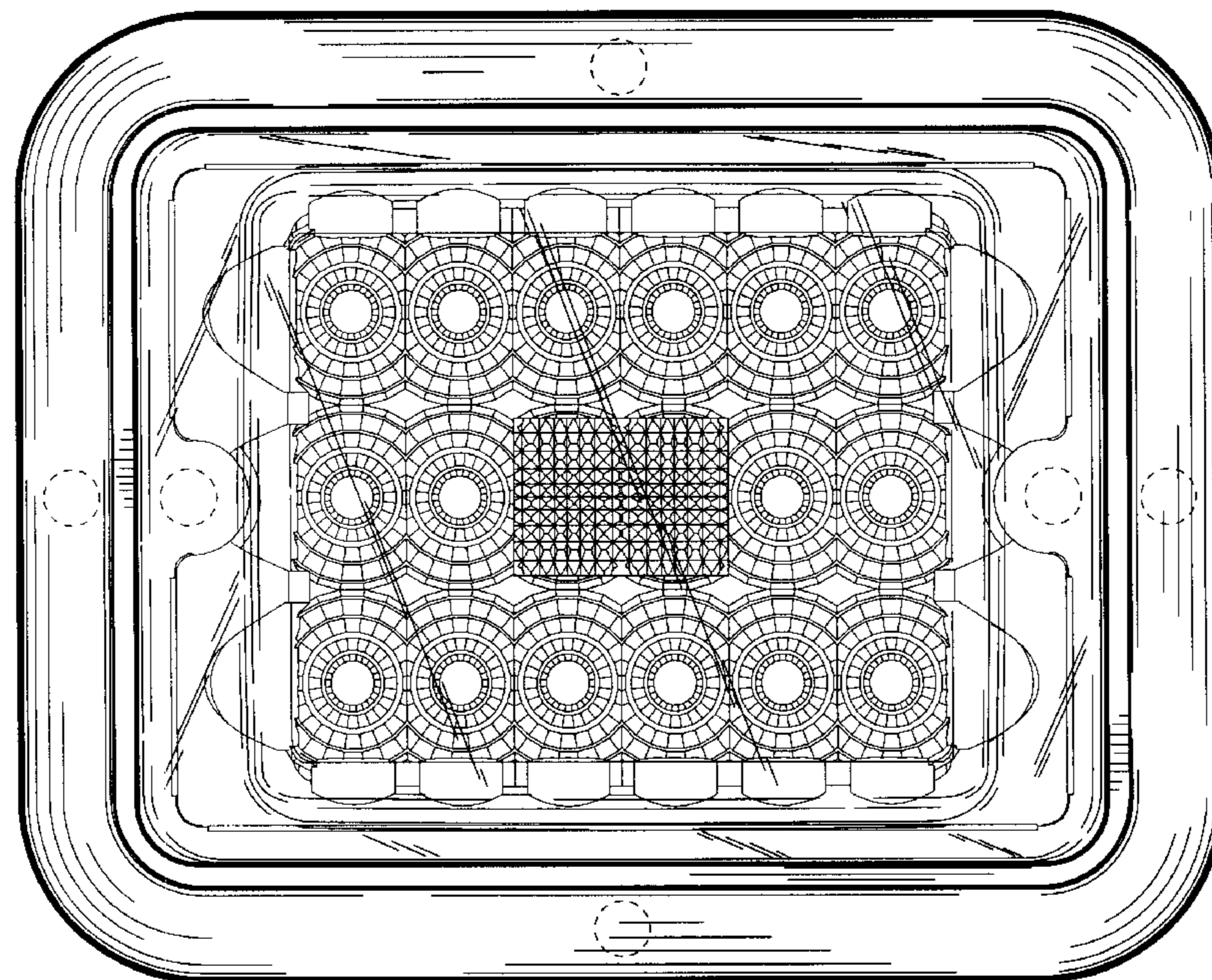


Fig. 2

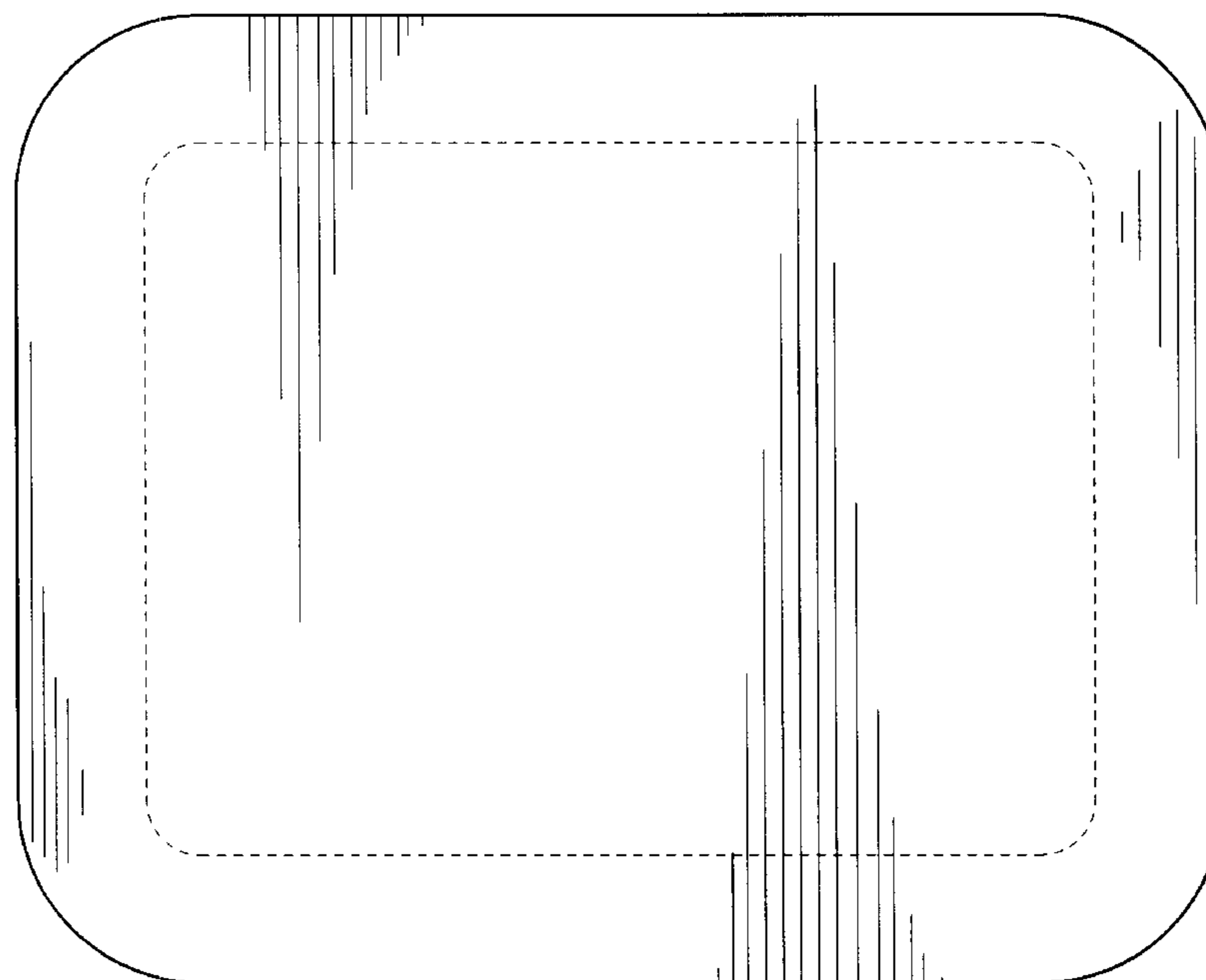


Fig. 3

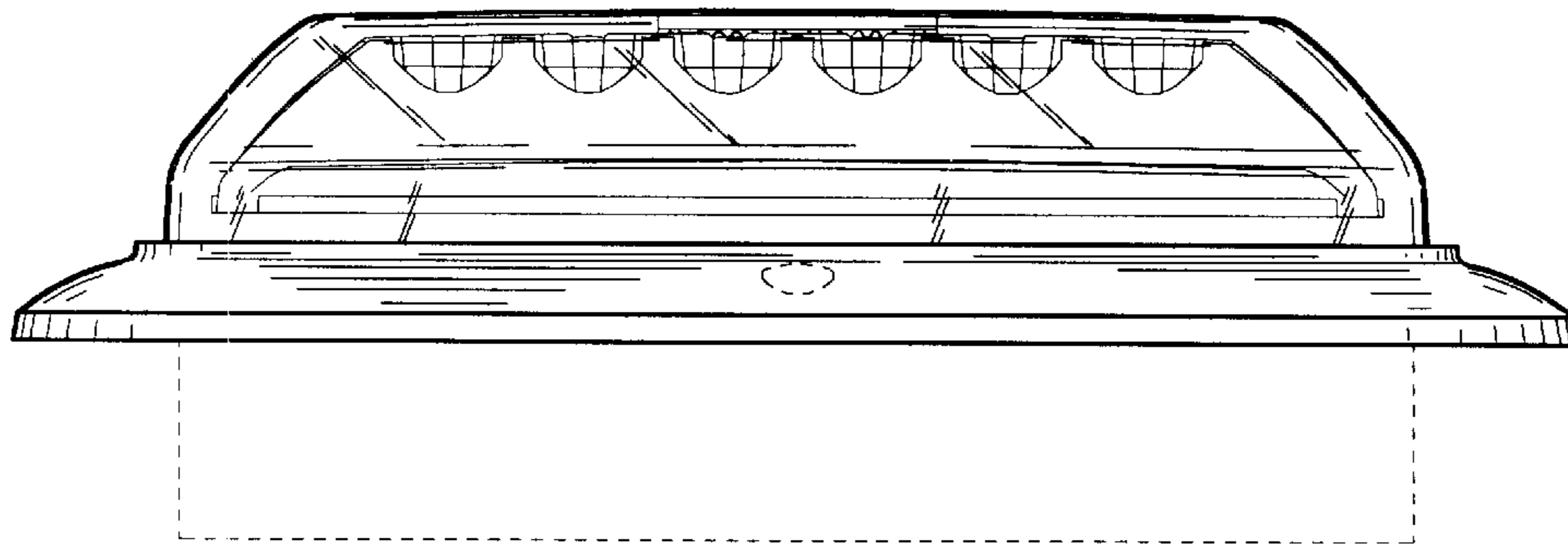


Fig. 4

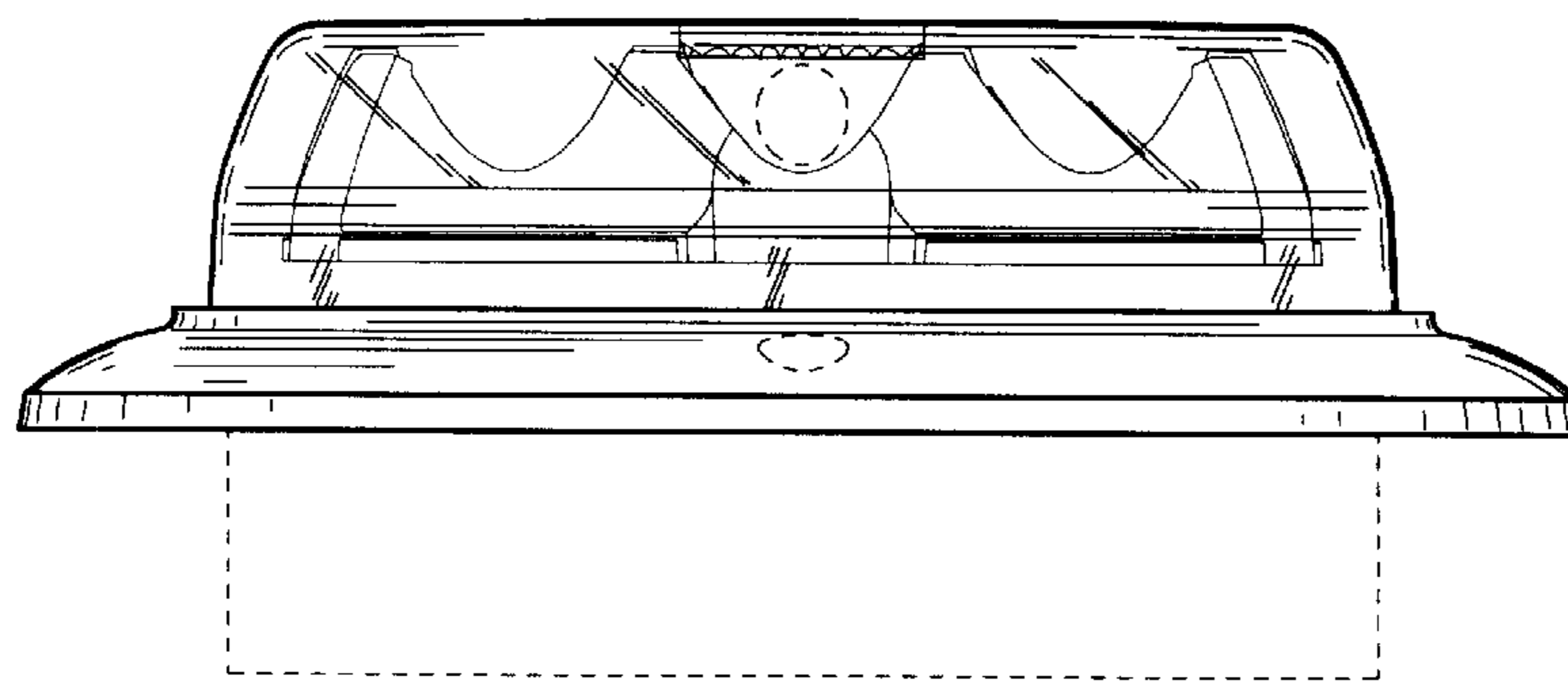


Fig. 5