



US00D541443S

(12) **United States Design Patent** (10) **Patent No.:** **US D541,443 S**
Adams et al. (45) **Date of Patent:** **** Apr. 24, 2007**

(54) **DECORATIVE CANDLE HOLDER**
(75) Inventors: **Mary Beth Adams**, Antioch, IL (US);
Nicholas W. Binetti, Racine, WI (US);
Chris A. Kubicek, Walworth, WI (US);
Cory J. Nelson, Racine, WI (US);
Romuald Marie, Paris (FR); **Elie Papiernik**, Paris (FR); **Paul E. Furner**, Racine, WI (US)

D80,971 S 4/1930 Sakier
D83,100 S 1/1931 Gisolfi
D105,118 S 6/1937 Mackelfresh Jr.
D110,902 S 8/1938 Loesch
D119,587 S 3/1940 Fuerst
2,234,903 A 3/1941 Muench
2,237,523 A 4/1941 Damon
2,354,343 A 5/1941 Webber et al.

(Continued)

(73) Assignee: **S. C. Johnson & Son, Inc.**, Racine, WI (US)

FOREIGN PATENT DOCUMENTS

(**) Term: **14 Years**

DE 3403604 8/1985
DE 4203644 8/1993

(Continued)

(21) Appl. No.: **29/222,413**

(22) Filed: **Jan. 28, 2005**

(51) **LOC (8) Cl.** **26-01**
(52) **U.S. Cl.** **D26/9**
(58) **Field of Classification Search** D26/9,
D26/10-11, 22-23; 431/291, 292, 289

OTHER PUBLICATIONS
International Candle House 1966-67 pp. 54-55.*
International Candle House catalog (1966-67); Bobeshes pp. 54-55.
Pourette Catalog 1998; pp. 12.

See application file for complete search history.

(Continued)

(56) **References Cited**

Primary Examiner—Robin Webster

U.S. PATENT DOCUMENTS

213,184 A 3/1879 Frick
405,786 A 6/1889 Ludde
407,051 A 7/1889 Baumer
408,973 A 8/1889 Heller
484,210 A 10/1892 Ludde
779,644 A 1/1905 Ferrier
837,240 A 11/1906 Mulkerins
1,044,256 A 11/1912 Satter
D43,485 S 4/1913 Hirschfeld
1,195,657 A 8/1916 Chersky
D49,902 S 11/1916 Laberee et al.
1,229,140 A 6/1917 Ritter
1,316,624 A 9/1919 Lucas
1,320,109 A 10/1919 Wooster
1,336,635 A 4/1920 Knapp
1,484,964 A 2/1924 Benneville
D67,108 S 4/1925 Steeple
1,640,734 A 8/1927 Smith
D75,463 S 6/1928 Bach

(57) **CLAIM**

The ornamental design for a decorative candle holder, as shown and described.

DESCRIPTION

FIG. 1 is an isometric view of a decorative candle holder having a melting plate with an engraved spiral pattern, a wick holder, and a pebble-shaped wax candle according to the present invention;

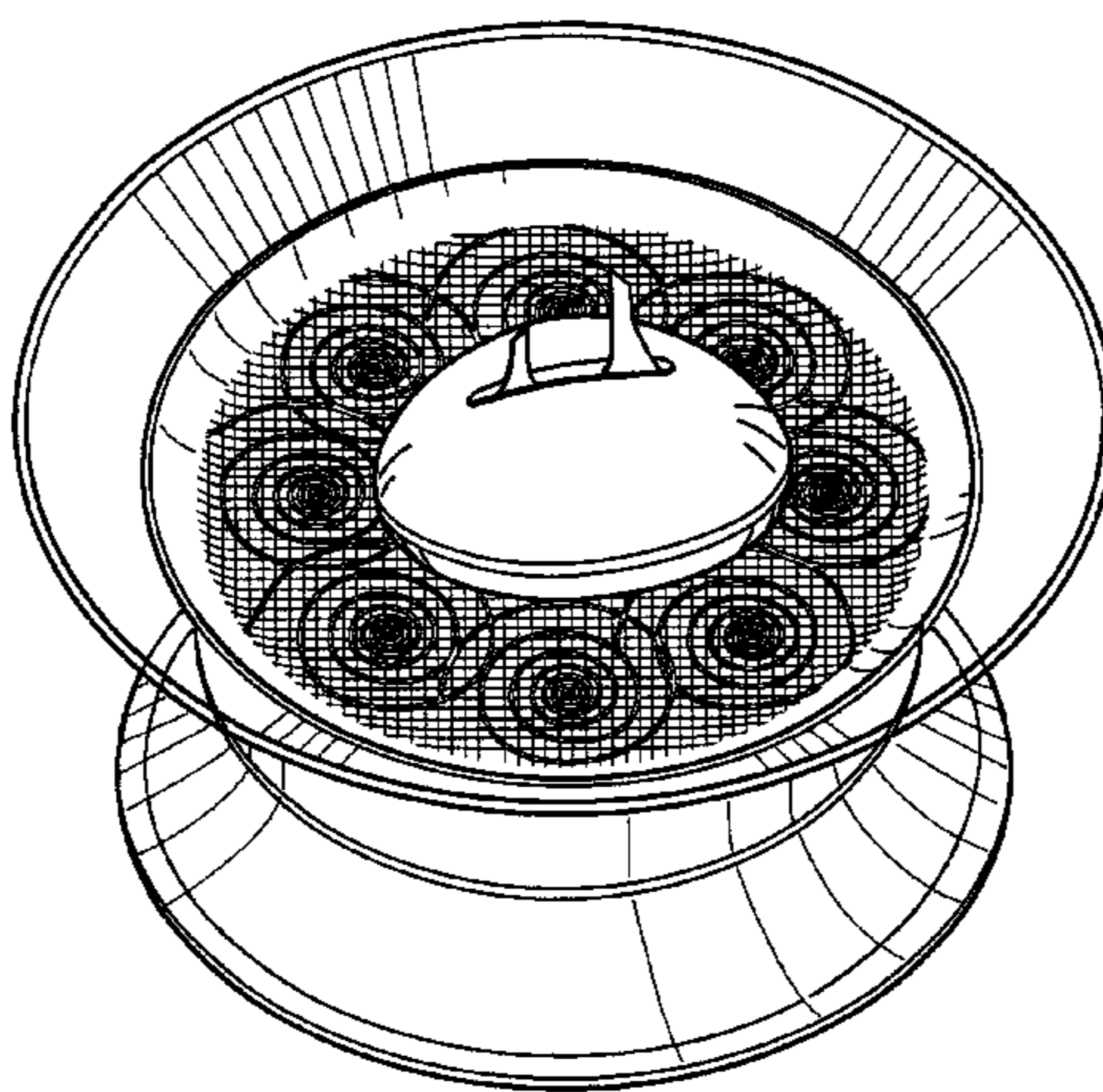
FIG. 2 is a front elevational view thereof;

FIG. 3 is a plan view thereof; and

FIG. 4 is an exploded isometric view.

The broken line showing in FIG. 5 is for illustrative purposes only and forms no part of the claimed design.

1 Claim, 3 Drawing Sheets



US D541,443 S

U.S. PATENT DOCUMENTS							
2,246,346	A	6/1941	Wells	D329,942	S	10/1992	Carr
2,254,906	A	9/1941	Petrulis	5,174,645	A	12/1992	Chung
2,324,753	A	7/1943	Alexiade	5,193,995	A	3/1993	Shirneker et al.
2,393,767	A	1/1946	Gould	5,338,187	A	8/1994	Elharar
2,462,440	A	2/1949	Tierney	5,363,590	A	11/1994	Lee
2,494,995	A	1/1950	Gardner	D355,266	S	2/1995	Caplette et al.
2,713,256	A	7/1955	Oesterle	D356,472	S	3/1995	Jaworski
2,758,460	A	8/1956	Ciano	5,425,633	A	6/1995	Cole
2,775,006	A	12/1956	Kranc	D360,461	S	7/1995	Gillespie
2,809,512	A	10/1957	Hartnett	D369,221	S	4/1996	Linderman
RE24,423	E	2/1958	Oesterle et al.	D369,871	S	* 5/1996	Lui D26/9
3,121,316	A	2/1964	Wilson	D371,212	S	6/1996	Hardy et al.
D206,946	S	* 2/1967	Knodt D7/366	D376,002	S	11/1996	Upton
D208,064	S	7/1967	Quistgaard et al.	D377,402	S	1/1997	Perkins
D208,097	S	7/1967	Henn	D383,555	S	9/1997	Hardy
3,565,281	A	2/1971	Collie	D383,944	S	9/1997	Lillelund et al.
D226,240	S	1/1973	Twedt	5,690,484	A	11/1997	Leonard et al.
3,730,674	A	5/1973	Gross	D390,676	S	2/1998	Hollington
3,741,711	A	6/1973	Bryant	D391,119	S	2/1998	Rapaz
3,749,904	A	7/1973	Graff	D393,910	S	4/1998	Chambers et al.
3,762,857	A	10/1973	Andeweg	D394,513	S	5/1998	Davis
D229,852	S	1/1974	Lindblad	5,807,096	A	9/1998	Shin et al.
D236,064	S	7/1975	Balbo	D399,298	S	10/1998	Whitehead
3,898,039	A	8/1975	Lin	5,840,246	A	11/1998	Hammons et al.
3,910,753	A	10/1975	Lee	5,842,850	A	12/1998	Pappas
3,932,113	A	1/1976	Thrush	5,843,194	A	12/1998	Spaulding
3,994,502	A	11/1976	Lombardi	5,871,553	A	2/1999	Spaulding
4,013,397	A	3/1977	Neugart	D410,756	S	6/1999	Kleinberg
4,019,856	A	4/1977	Lacroix	5,921,767	A	7/1999	Song
D247,635	S	3/1978	Maxwell	5,927,959	A	7/1999	Johnson
D248,499	S	7/1978	Ulrich et al.	5,951,278	A	9/1999	Young et al.
D248,500	S	7/1978	Ulrich et al.	5,955,034	A	9/1999	Zaunbrecher et al.
4,102,634	A	7/1978	Crisp	5,955,958	A	9/1999	Lu
D248,787	S	8/1978	Ulrich et al.	D415,295	S	10/1999	Kochis et al.
D248,788	S	8/1978	Ulrich et al.	5,961,967	A	10/1999	Powell et al.
D248,789	S	8/1978	Ulrich et al.	D416,099	S	* 11/1999	Hardy D26/9
D253,432	S	11/1979	Van Koert	D416,341	S	11/1999	Allen
D253,732	S	12/1979	Van Koert	5,980,241	A	11/1999	Schirneker
4,185,953	A	1/1980	Schirneker	6,019,804	A	2/2000	Requejo et al.
4,206,500	A	6/1980	Neil	6,033,209	A	3/2000	Shin et al.
4,206,560	A	6/1980	Sefried, II	D422,180	S	4/2000	Sundberg
4,224,017	A	9/1980	Kayne	6,050,812	A	4/2000	Chuang
D257,641	S	12/1980	Taylor	D425,220	S	5/2000	Klett et al.
D264,385	S	5/1982	Meyer	D425,636	S	5/2000	Freeman
4,332,548	A	6/1982	Linton et al.	6,059,564	A	5/2000	Morris
4,381,914	A	5/1983	Ferguson	6,062,847	A	5/2000	Pappas
4,427,366	A	1/1984	Moore	6,068,472	A	5/2000	Freeman et al.
4,477,249	A	10/1984	Ruzek et al.	D426,902	S	6/2000	Hardy et al.
4,524,408	A	6/1985	Minera	6,074,199	A	6/2000	Song
D280,443	S	9/1985	Boss	6,079,975	A	6/2000	Conover
4,551,794	A	11/1985	Sandell	6,099,877	A	8/2000	Schuppan
4,557,687	A	12/1985	Schirneker	D430,943	S	9/2000	Zutler
4,568,269	A	2/1986	Lin	D433,168	S	10/2000	Cousins
4,568,270	A	2/1986	Marcus et al.	6,129,771	A	10/2000	Ficke et al.
4,588,618	A	5/1986	Wolfe	6,152,728	A	11/2000	Griffel
D285,396	S	9/1986	Odate	D435,100	S	12/2000	Pesu et al.
D292,525	S	10/1987	Van Deelen	D436,415	S	1/2001	Hardy
4,755,135	A	7/1988	Kwok	D436,416	S	1/2001	Iu
4,781,895	A	11/1988	Spector	6,214,063	B1	4/2001	DeStefano et al.
4,804,323	A	2/1989	Kim	D443,080	S	5/2001	Klett et al.
D312,507	S	11/1990	Thoreson	D443,081	S	5/2001	Klett et al.
4,983,119	A	1/1991	Lin	D443,082	S	5/2001	Klett et al.
5,015,175	A	5/1991	Lee	D443,101	S	5/2001	Williamson
D320,266	S	9/1991	Kunze	6,231,336	B1	5/2001	Chen
5,069,617	A	12/1991	Lin	6,241,362	B1	6/2001	Morrison
5,078,591	A	1/1992	Depres	6,241,513	B1	6/2001	Jeneral
5,078,945	A	1/1992	Byron	D445,030	S	7/2001	Croft et al.
5,086,380	A	2/1992	Hedner, Jr.	D445,337	S	7/2001	Croft et al.
D325,077	S	3/1992	Kearnes	6,267,584	B1	7/2001	Zou
5,101,328	A	3/1992	Hai	6,270,339	B1	8/2001	Zou
				6,273,710	B1	8/2001	Zou

6,276,925 B1 8/2001 Varga
D447,418 S 9/2001 Bezek et al.
6,290,489 B1 9/2001 Seidler
D448,867 S 10/2001 Manocheo et al.
6,296,477 B1 10/2001 Lin
6,299,435 B1 10/2001 Freeman et al.
D450,395 S 11/2001 Bellenger
D450,865 S 11/2001 Bellenger et al.
6,361,311 B1 3/2002 Smith
6,631,311 B2 3/2002 Smith
D455,486 S 4/2002 Makino
D455,846 S 4/2002 Araujo
D456,536 S 4/2002 Araujo
D456,539 S 4/2002 Leeds
6,371,756 B1 4/2002 Toohey
D459,498 S 6/2002 Araujo
6,398,544 B2 6/2002 Wright et al.
D461,916 S 8/2002 Araujo
D462,132 S 8/2002 Papai
6,428,311 B1 8/2002 Bernardo
6,439,471 B2 8/2002 Ehrlich et al.
D462,793 S 9/2002 Freeman et al.
6,450,802 B1 9/2002 Steck
6,454,561 B1 9/2002 Colthar et al.
D464,745 S 10/2002 Mangini et al.
6,468,071 B2 10/2002 Zou
D465,587 S 11/2002 Papai
D466,236 S 11/2002 Papai
6,488,494 B2 12/2002 Lee
6,491,516 B1 12/2002 Tal et al.
D469,550 S 1/2003 Moeller
D469,893 S 2/2003 Shen
6,520,770 B2 2/2003 Zou
D471,299 S 3/2003 Papai
6,531,063 B1 * 3/2003 Rose 210/631
6,537,063 B1 3/2003 Pecoskie
6,543,268 B2 4/2003 Wright et al.
6,544,302 B2 4/2003 Berger et al.
6,551,365 B2 4/2003 Berger et al.
6,554,448 B2 4/2003 Carpenter et al.
D474,854 S 5/2003 Lam
6,568,934 B1 5/2003 Butler
6,575,613 B2 6/2003 Brown et al.
6,579,089 B1 6/2003 Iu
6,592,637 B2 7/2003 McGee et al.
6,595,771 B2 7/2003 Chu
D478,180 S 8/2003 Boss
6,616,308 B2 9/2003 Jensen et al.
D481,143 S 10/2003 McMinn
D481,473 S * 10/2003 Walsh D26/9
6,630,110 B2 10/2003 Urfig
6,648,631 B2 11/2003 Wright et al.
D485,624 S 1/2004 Kitamura
6,688,880 B1 2/2004 Pangle
6,695,611 B2 2/2004 Lee
D487,687 S 3/2004 Shields, Jr.
6,709,382 B1 3/2004 Furner et al.
6,730,137 B2 5/2004 Pesu et al.
6,733,279 B2 5/2004 Thigpen et al.
D491,288 S 6/2004 Young
D493,548 S 7/2004 Goldman
D495,437 S 8/2004 Barbera
D495,438 S 8/2004 Barbera et al.
6,769,905 B2 8/2004 Gray et al.
6,780,382 B2 8/2004 Furner
D496,474 S 9/2004 Murdick
D497,680 S 10/2004 McMinn
6,802,707 B2 * 10/2004 Furner et al. 431/292
6,808,388 B2 10/2004 Lee
6,849,240 B2 2/2005 Nakatsu et al.
D508,291 S 8/2005 Janssen

6,923,639 B2 8/2005 Pesu et al.
2001/0031438 A1 10/2001 Hannington et al.
2002/0066789 A1 6/2002 Yen
2002/0068009 A1 6/2002 Laudamiel-Pellet
2002/0068010 A1 6/2002 Laudamiel-Pellet
2002/0093834 A1 7/2002 Yu
2002/0102187 A1 8/2002 Bellenger et al.
2002/0119413 A1 8/2002 Cheng
2002/0127507 A1 9/2002 Long
2003/0064336 A1 4/2003 Welch et al.
2003/0134246 A1 7/2003 Gray et al.
2003/0162142 A1 8/2003 Bennetts et al.
2003/0175148 A1 9/2003 Kvietok
2004/0007787 A1 1/2004 Kvietok
2004/0009103 A1 1/2004 Westring
2004/0009447 A1 1/2004 Decker
2004/0016818 A1 1/2004 Murdell
2004/0028551 A1 2/2004 Kvietok
2004/0029061 A1 2/2004 Dibnah et al.
2004/0033171 A1 2/2004 Kvietok
2004/0033463 A1 2/2004 Pesu et al.
2004/0128879 A1 7/2004 Lu
2004/0160764 A1 8/2004 Lee
2004/0223871 A1 11/2004 Woo
2004/0223943 A1 11/2004 Woo
2004/0229180 A1 11/2004 Furner
2004/0241053 A1 12/2004 Thompson
2004/0265164 A1 12/2004 Woo
2005/0019238 A1 1/2005 Hart et al.
2005/0037306 A1 2/2005 Nakatsu
2005/0079463 A1 4/2005 Yu

FOREIGN PATENT DOCUMENTS

DE	4241292	5/1994
DE	4314122	11/1994
DE	44 25 179	1/1996
DE	195 48 958	5/1996
DE	195 08 962	9/1996
EP	0146247	6/1985
EP	1054054	11/2000
FR	2628825	3/1988
GB	15143338	6/1978
GB	2 239 942	7/1991
JP	362220594	9/1987
JP	406212189	8/1994
JP	408185710	7/1996
JP	02 003213292	7/2003
WO	WO 95/12783	5/1995
WO	WO 96/02794	2/1996
WO	WO 99/17055	4/1999
WO	WO 89/06141	7/1999
WO	WO 99/45322	9/1999
WO	WO 04/008026	1/2004
WO	WO 04/083718	9/2004
WO	WO 2004/083349	9/2004
WO	WO 04/090417	10/2004

OTHER PUBLICATIONS

Prices London Candlemakers; <http://www.prices-candle-s.co.uk/mainpage.htm>; 1 page, printed Apr. 21, 2005.
Prices London Candlemakers; <http://www.prices-candle-s.co.uk/catalogue/Accessories/Accessories%2008.jpg>; 1 printed Apr. 21, 2005.
Two (2) photos of Price's "Coral Bay Fragranced Bathroom" product taken Jan. 1, 1999.
Stephanie Reiser Wrought Iron - "Welcome to Courting-Candle.com!" <http://www.courtingcandle.com>; 1 page printed on May 12, 2004.

* cited by examiner

FIG. 1

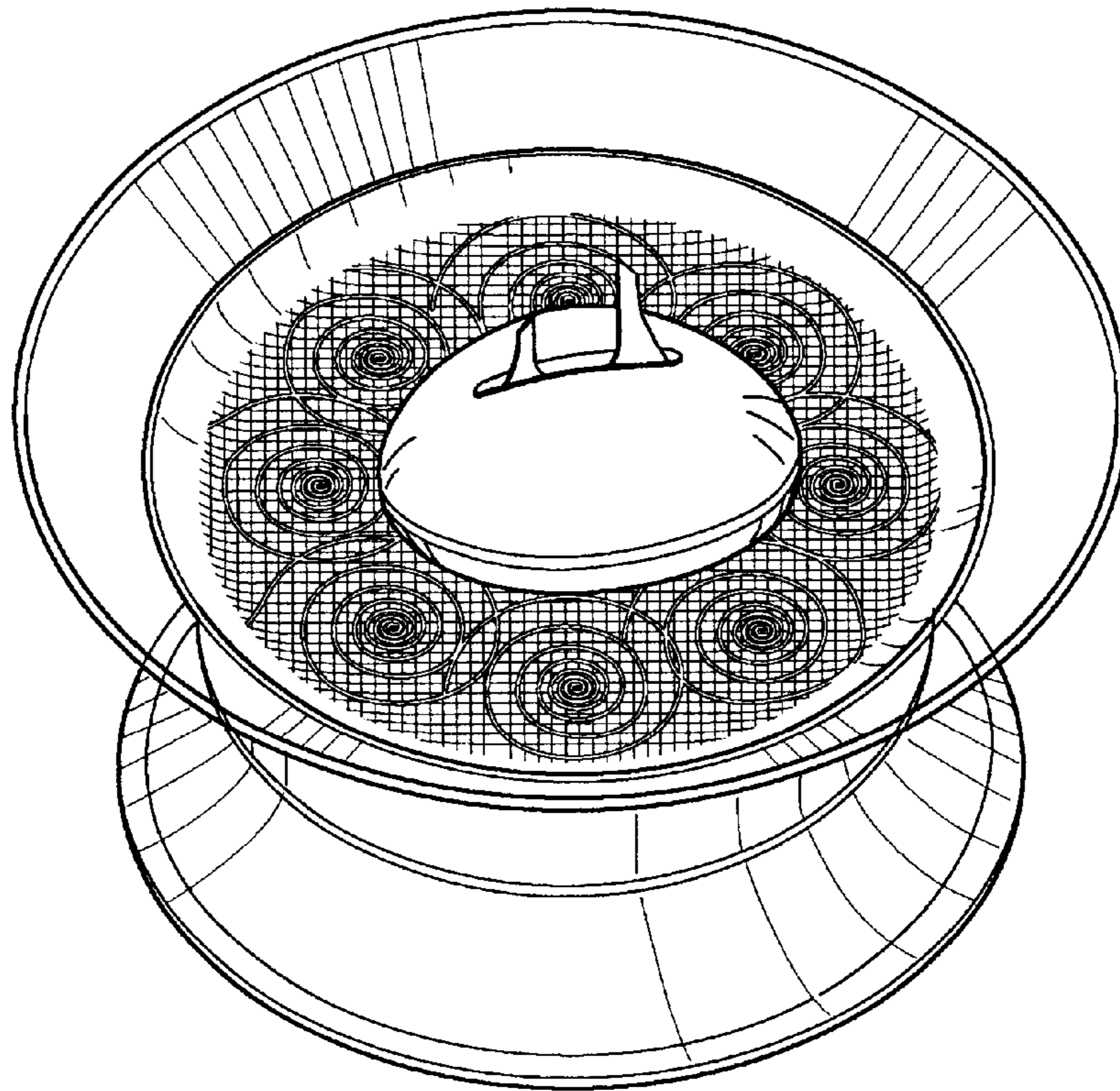


FIG. 2

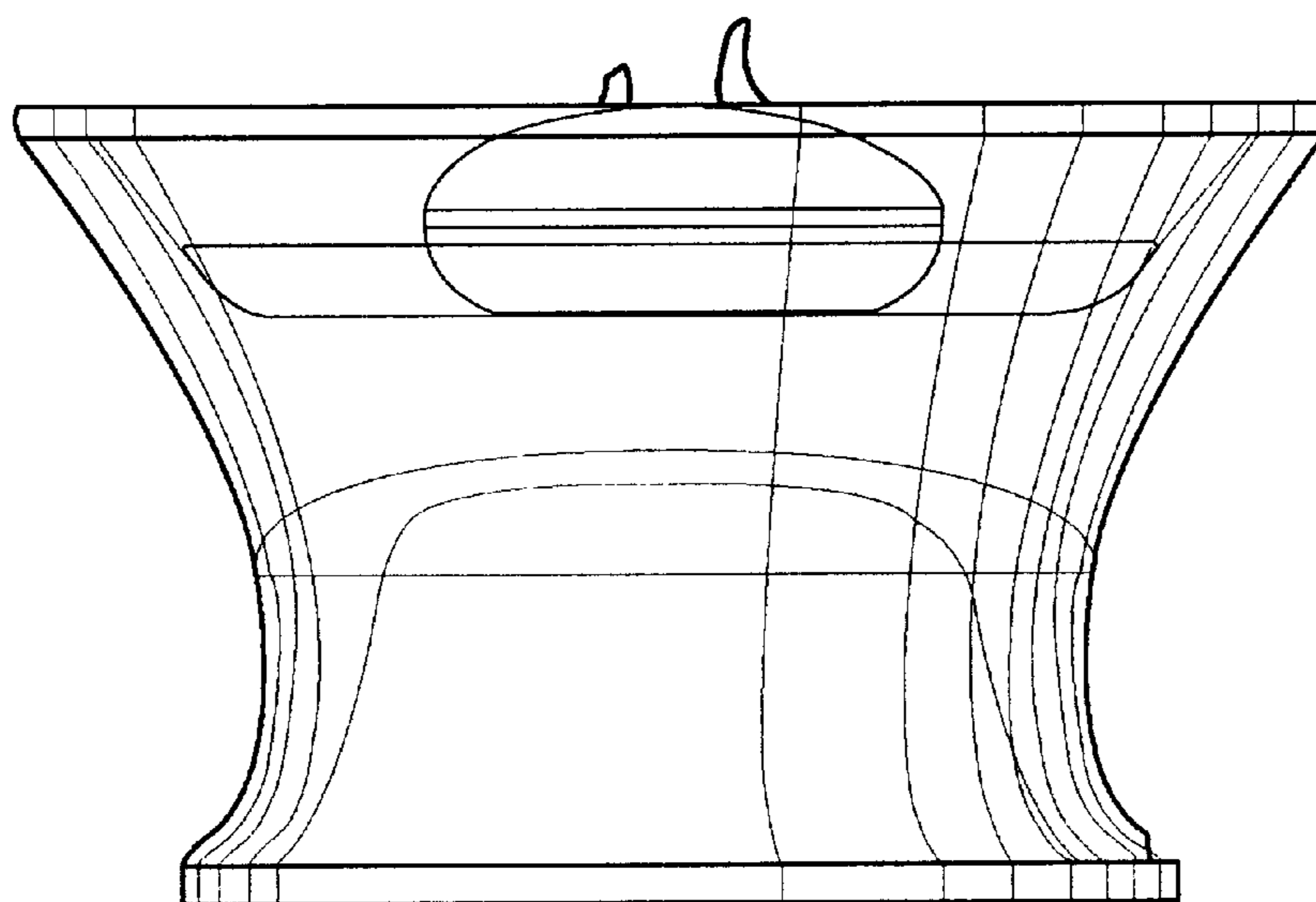


FIG. 3

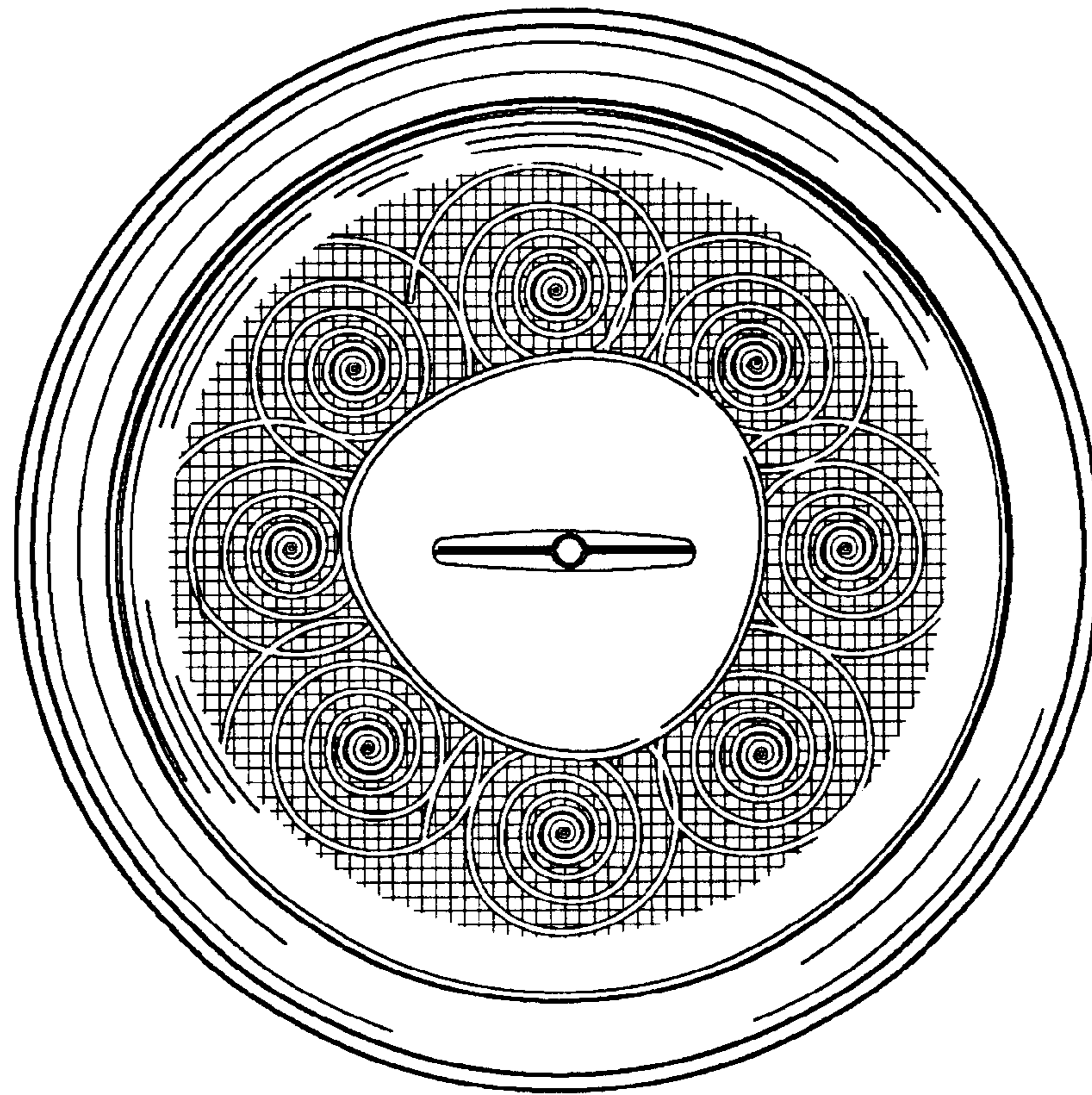


FIG. 4

