

US00D541439S

(12) **United States Design Patent**  
**Mahoney**

(10) **Patent No.:** **US D541,439 S**

(45) **Date of Patent:** **\*\* Apr. 24, 2007**

(54) **ANTIVEGETATION POST COLLAR**

3,704,004 A \* 11/1972 Carter, Jr. .... 256/1  
D443,937 S \* 6/2001 Prokop ..... D25/133  
D457,661 S \* 5/2002 Goodall ..... D25/133

(75) Inventor: **Timothy J. Mahoney**, Algonquin, IL  
(US)

\* cited by examiner

(73) Assignee: **Welch Products, Inc.**, Carlisle, IA (US)

*Primary Examiner*—Doris Clark

(\*\*) Term: **14 Years**

(74) *Attorney, Agent, or Firm*—Sturm & Fix LLP

(21) Appl. No.: **29/232,844**

(57) **CLAIM**

(22) Filed: **Jun. 24, 2005**

The ornamental design for an antivegetation post collar, as shown and described.

(51) **LOC (8) Cl.** ..... **25-01**

**DESCRIPTION**

(52) **U.S. Cl.** ..... **D25/133**

(58) **Field of Classification Search** ..... D25/133,  
D25/164; 47/32.4, 32.5, 32.7; 256/1; 52/102;  
D8/1

FIG. 1 is a perspective view of the antivegetation post collar showing my new design;

See application file for complete search history.

FIG. 2 is a front elevational view thereof, the rear elevational, right-side elevational, and left-side elevational views being identical thereto;

(56) **References Cited**

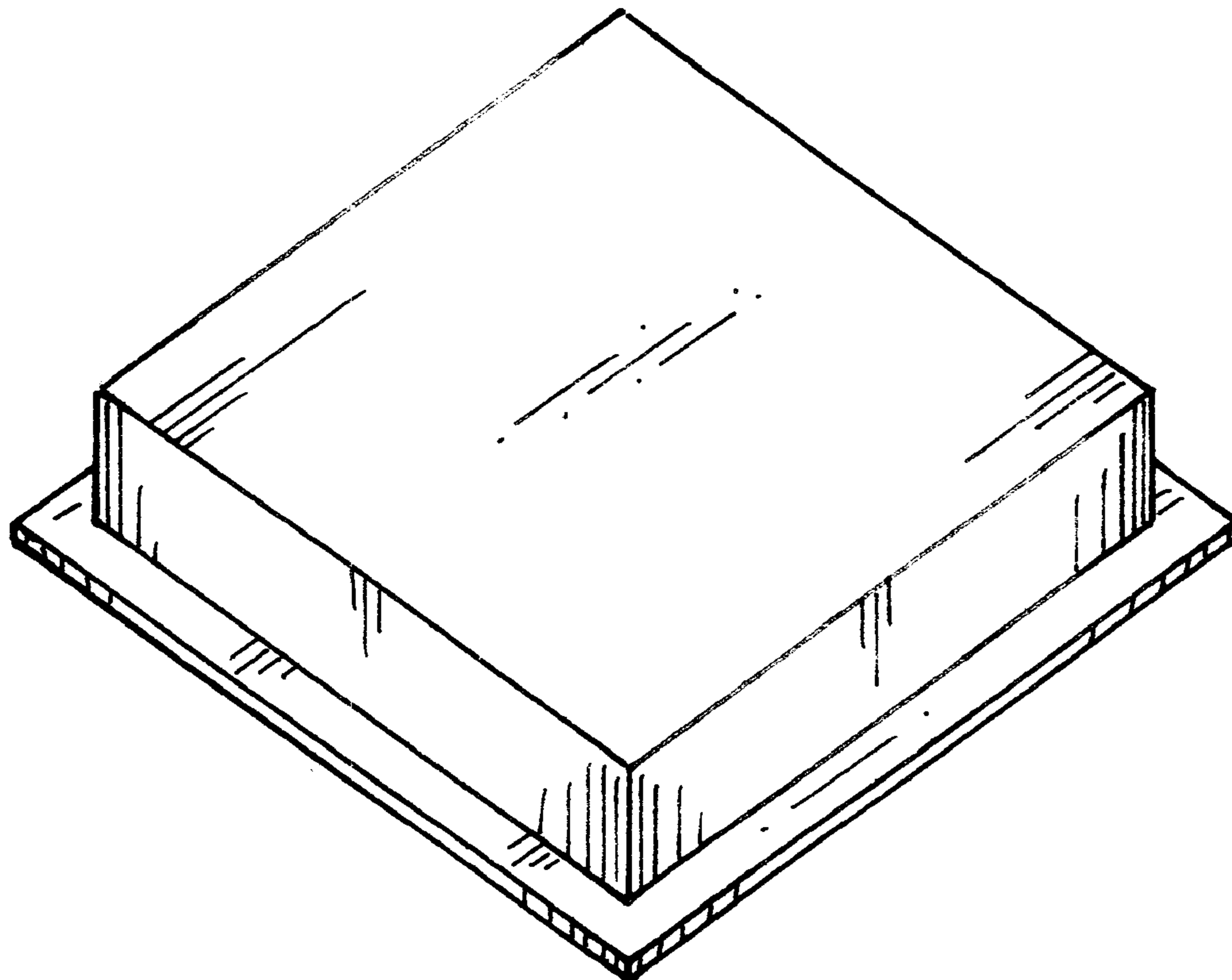
**U.S. PATENT DOCUMENTS**

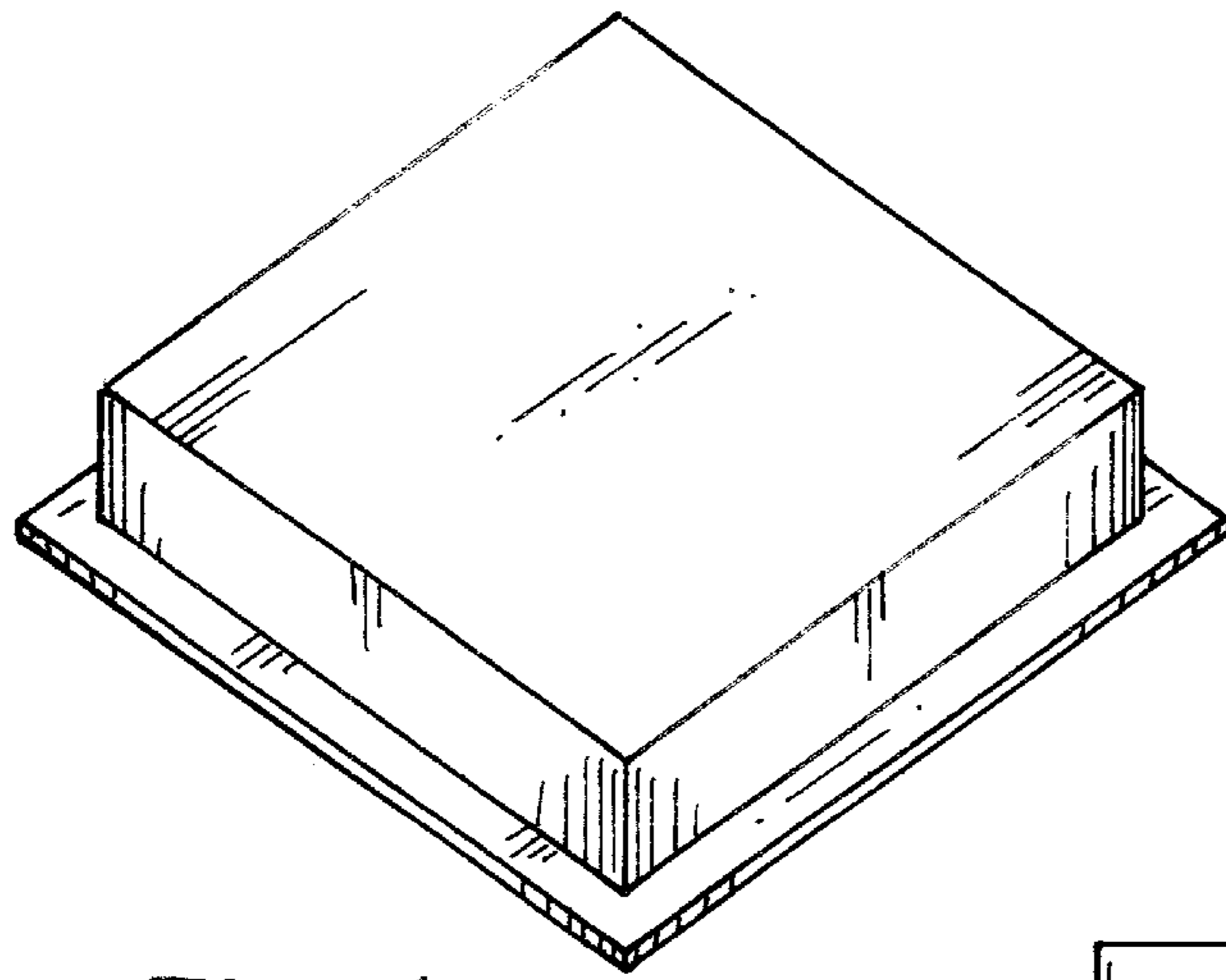
2,785,508 A \* 3/1957 Coleman, Jr. .... 47/70

FIG. 3 is a top plan view thereof; and,

FIG. 4 is a bottom plan view thereof.

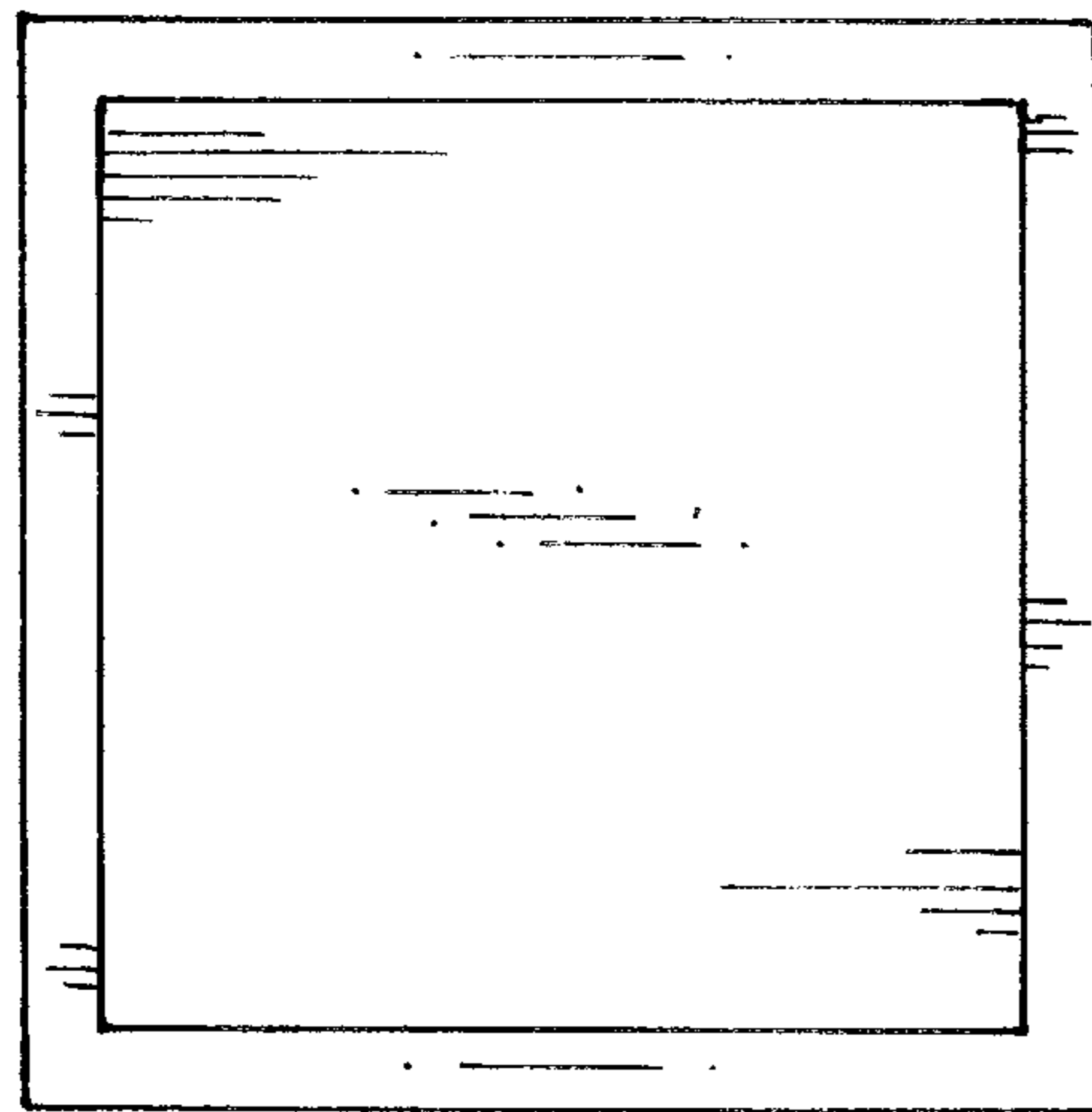
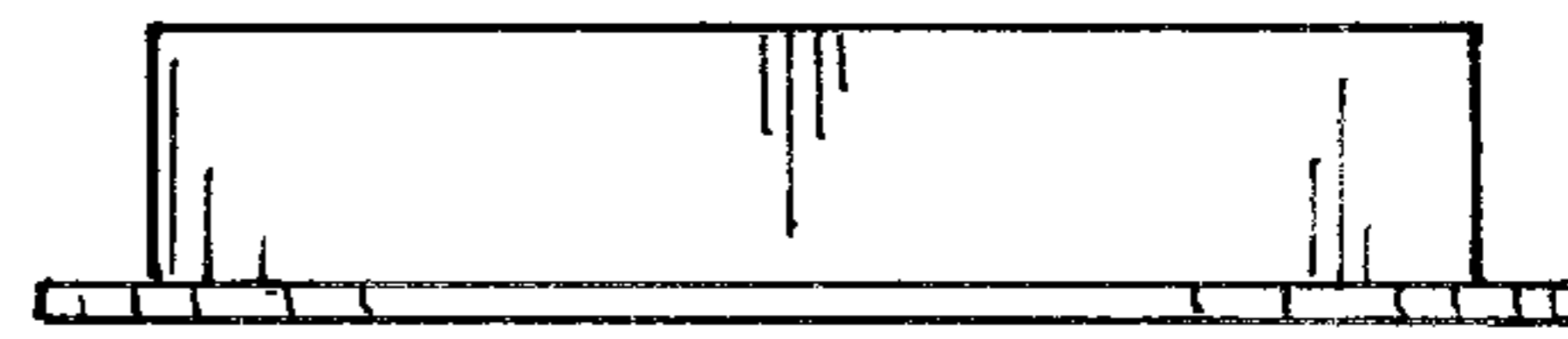
**1 Claim, 1 Drawing Sheet**



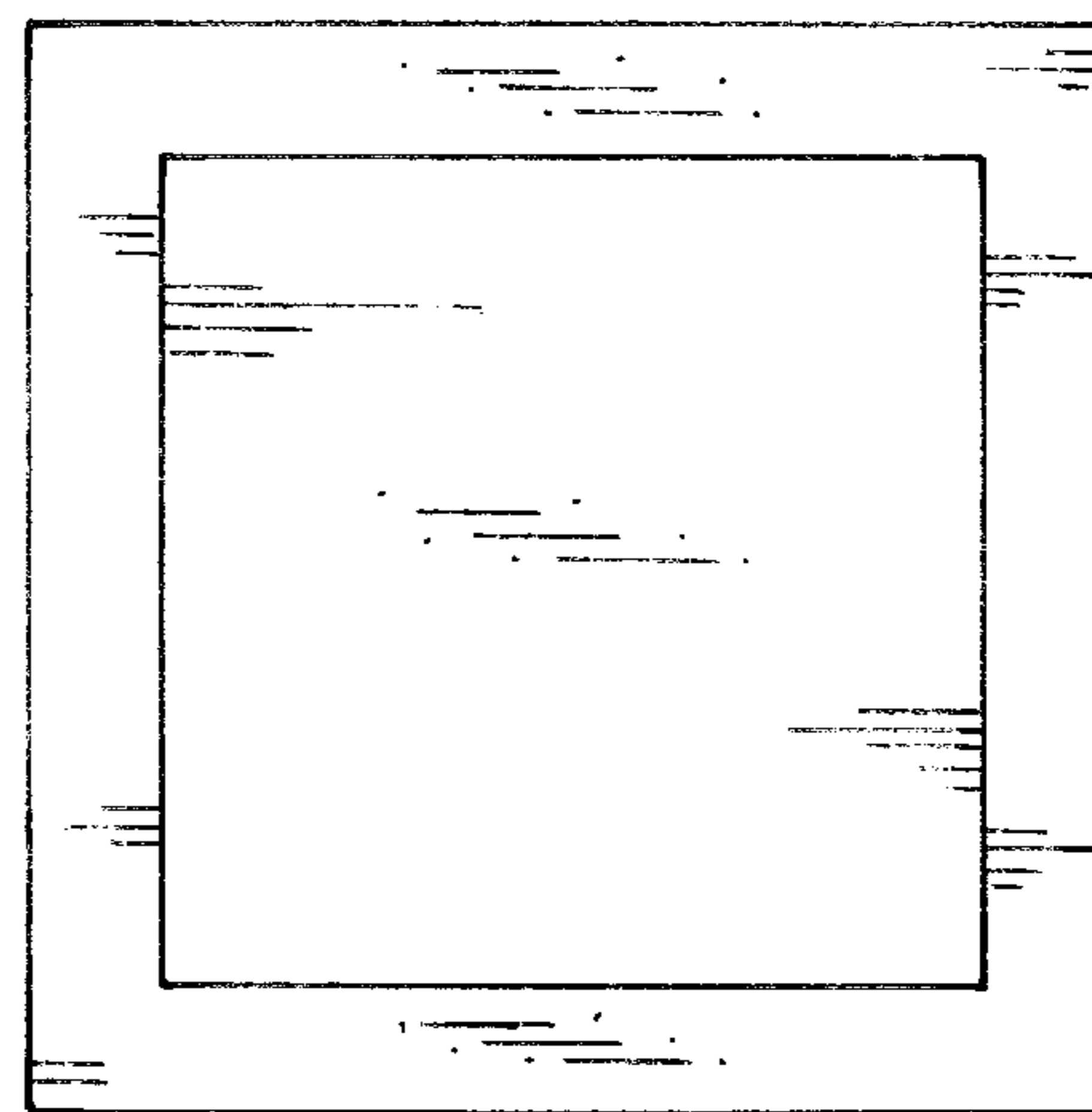


*Fig. 1*

*Fig. 2*



*Fig. 3*



*Fig. 4*