



US00D541433S

(12) **United States Design Patent** (10) **Patent No.:** **US D541,433 S**
Wise (45) **Date of Patent:** **** Apr. 24, 2007**

(54) **TOP TRAY AND A FLIP DOWN TRAY COMBINATION FOR A LADDER**

2003/0159881 A1 8/2003 Shannon
2005/0072633 A1 4/2005 Underhill et al.

(75) Inventor: **Robert Wise**, 365 Ely Rd., Petaluma, CA (US) 94954

(73) Assignee: **Robert Wise**, Petaluma, CA (US)

(**) Term: **14 Years**

(21) Appl. No.: **29/244,846**

(22) Filed: **Dec. 14, 2005**

(51) **LOC (8) Cl.** **25-04**

(52) **U.S. Cl.** **D25/68**

(58) **Field of Classification Search** D25/68,
D25/69; 248/236, 210

See application file for complete search history.

(56) **References Cited**

U.S. PATENT DOCUMENTS

3,637,046 A	1/1972	Emmons	
3,655,012 A	4/1972	Hoffman et al.	
3,878,957 A	4/1975	Hoffman et al.	
3,907,067 A	9/1975	Kennedy	
3,978,944 A	9/1976	Hickmann et al.	
4,407,045 A	10/1983	Boothe	
4,448,283 A	5/1984	Marques	
4,457,391 A	7/1984	Marques	
4,469,193 A	9/1984	Rumsey, Jr.	
4,520,896 A	6/1985	Disston et al.	
4,821,843 A	4/1989	Planchon	
4,844,207 A	7/1989	Andrews et al.	
5,085,291 A	2/1992	Narramore	
5,163,532 A	11/1992	McCarty	
5,228,535 A	7/1993	McCarty	
5,678,653 A	10/1997	Clinch	
5,944,141 A	8/1999	Kochan et al.	
6,220,389 B1	4/2001	Krause	
D444,890 S *	7/2001	Redgate	D25/68
D447,818 S *	9/2001	Weber	D25/68
6,913,113 B2	7/2005	Shannon	

OTHER PUBLICATIONS

<http://www.globalindustrial.com/gcs/product/expandCategory.web?options.partentCategoryKey=141&index=19>. Extension Ladders, Step Ladders, Rolling Ladder, Aluminum Ladders, Folding Ladder, Telescoping Ladder, Werner Ladders & More. copyright 2005.

http://www.globalindustrial.com/gcs/product/categoryinfo.web;jsessi...index=19&catSearchParams.categoryKey=1729&REQ_SUB_CAT=Step+Ladders. Step Ladders, Commercial Fiberglass Platform Step Stool Ladders. copyright 2005.

* cited by examiner

Primary Examiner—Doris Clark

(74) *Attorney, Agent, or Firm*—Michael A. Glenn; Glenn Patent Group

(57) **CLAIM**

I claim the ornamental design for a top tray and a flip down tray combination for a ladder, as shown and described.

DESCRIPTION

FIG. 1 is a perspective view the top try and flip down tray combination for a ladder.

FIG. 2 is an enlarged perspective view thereof with the flip down tray portion in raised position.

FIG. 3 is an enlarged rear perspective view thereof with the flip down tray in lowered position.

FIG. 4 is an enlarged front perspective view thereof with the flip down tray in lowered position.

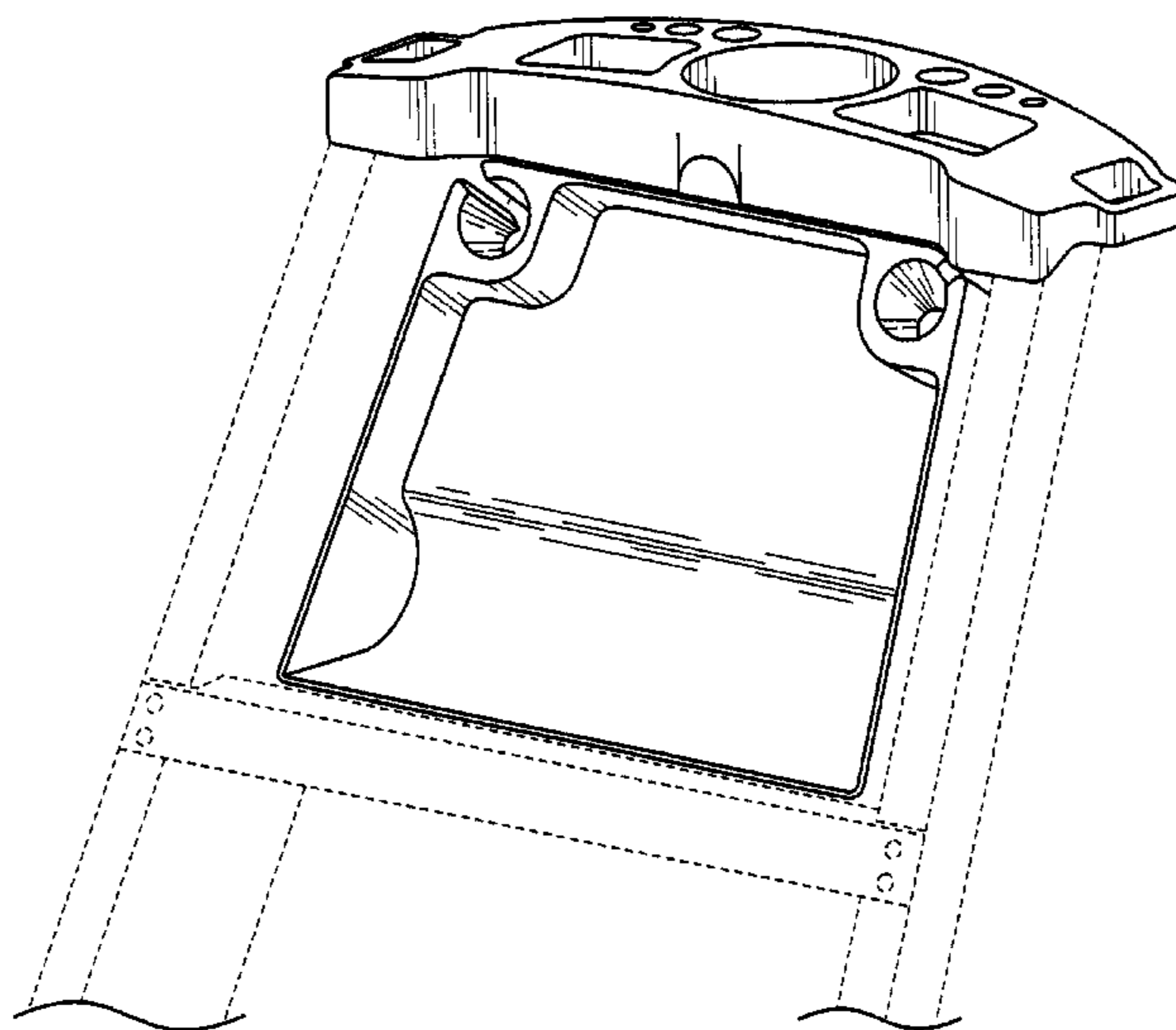
FIG. 5 is an enlarged top perspective view of the top tray.

FIG. 6 is an enlarged bottom perspective view of the top tray.

FIG. 7 is an enlarged top perspective view of the flip down tray; and,

FIG. 8 is an enlarged bottom perspective view of the flip down tray.

1 Claim, 6 Drawing Sheets



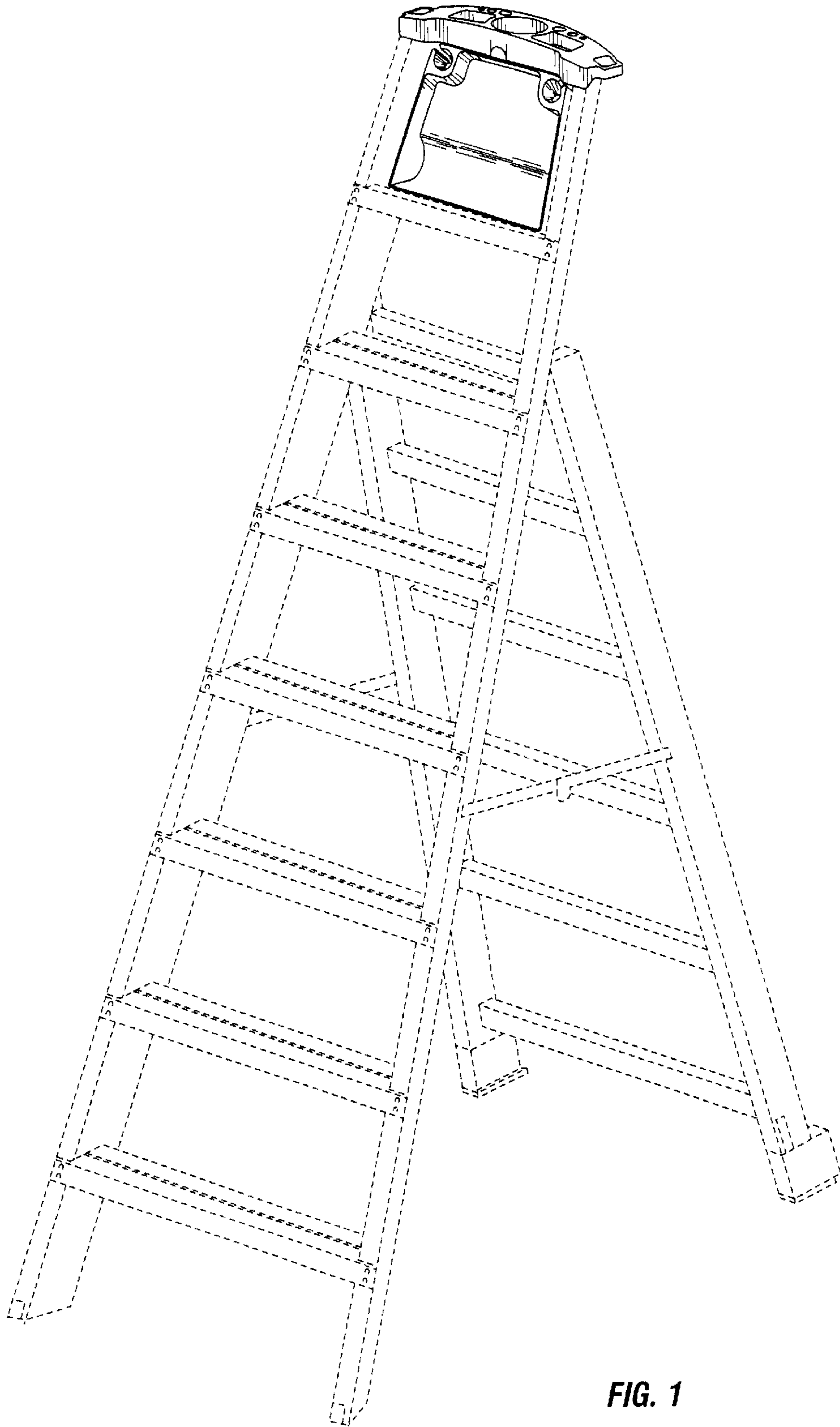


FIG. 1

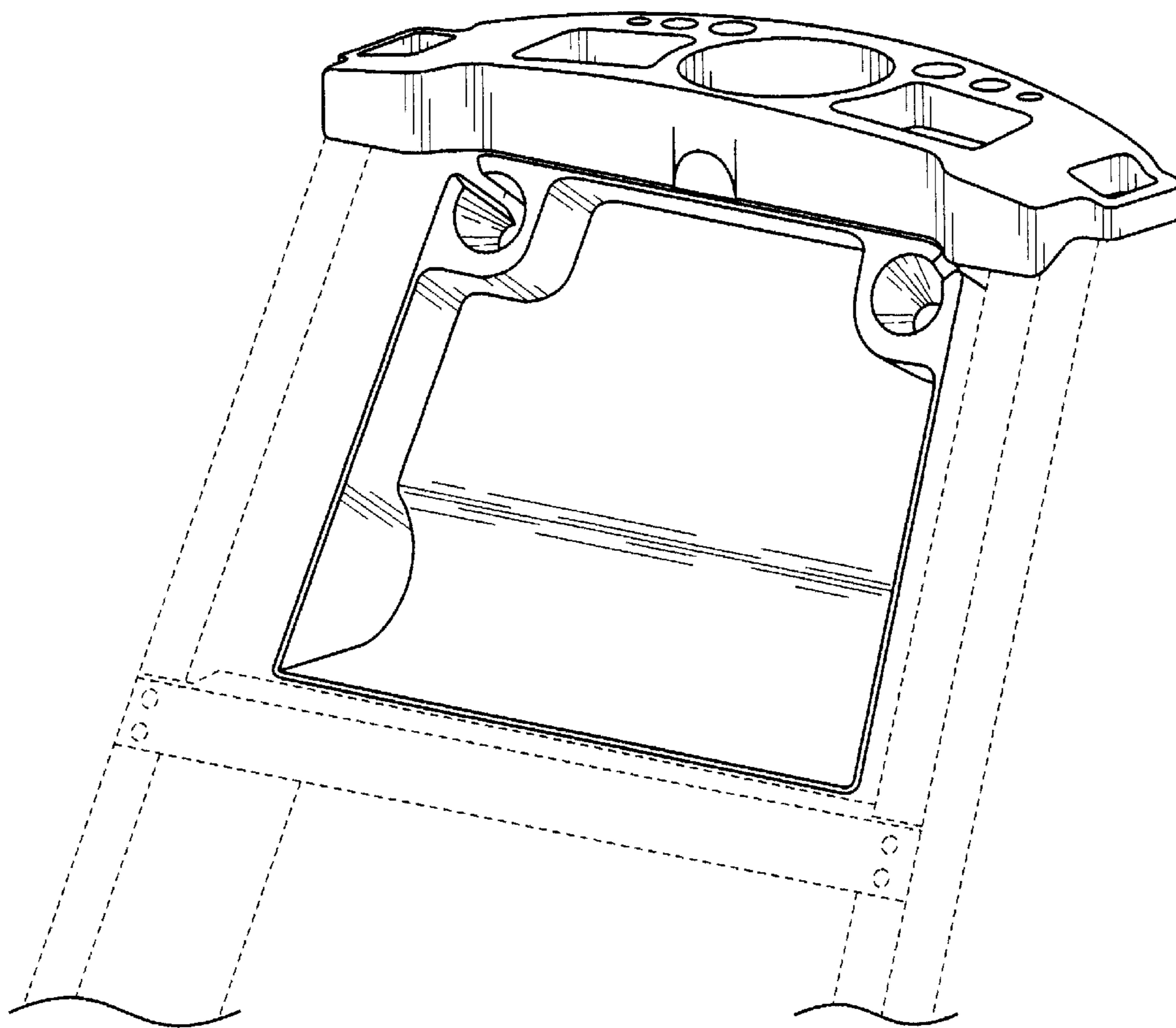


FIG. 2

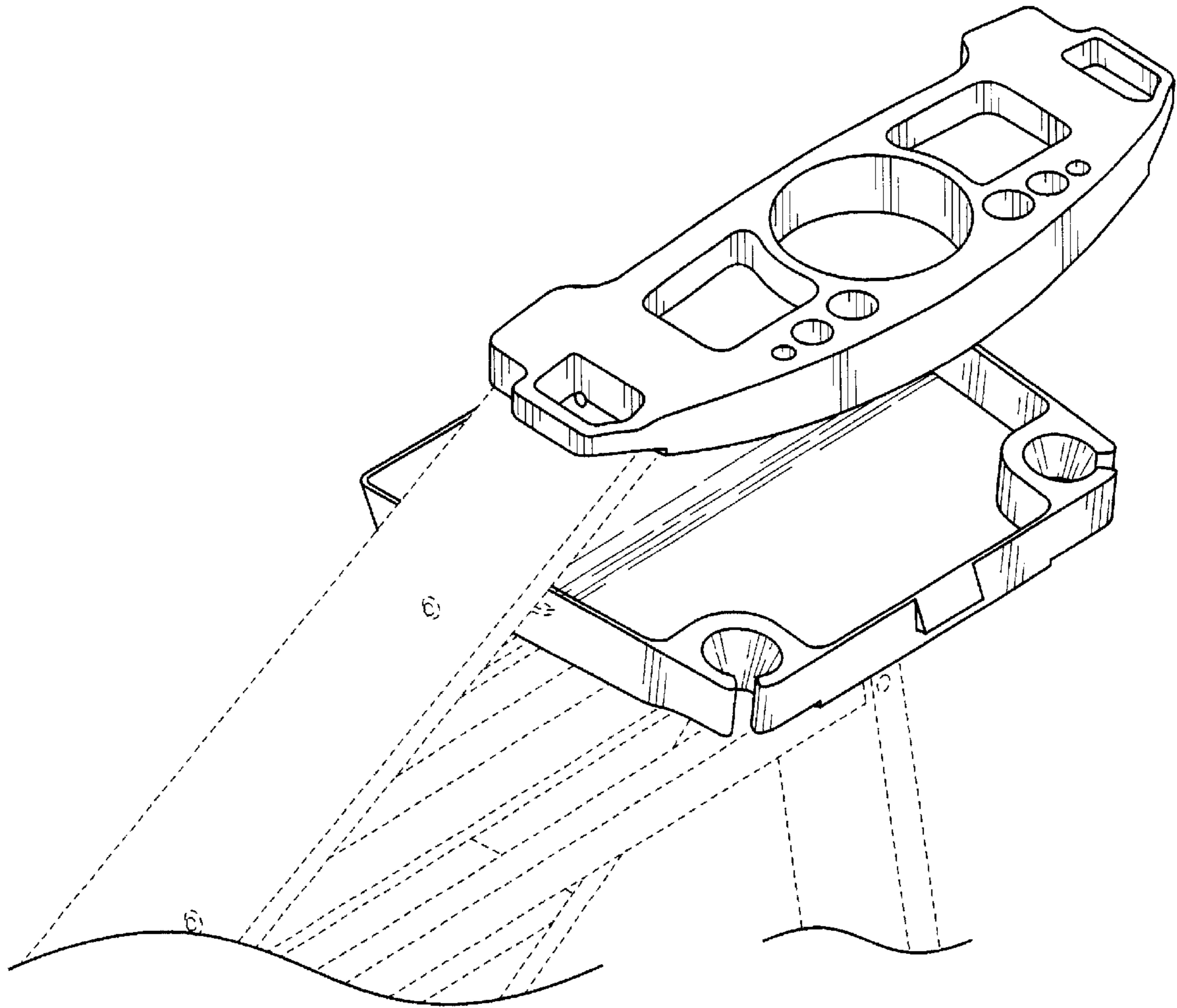


FIG. 3

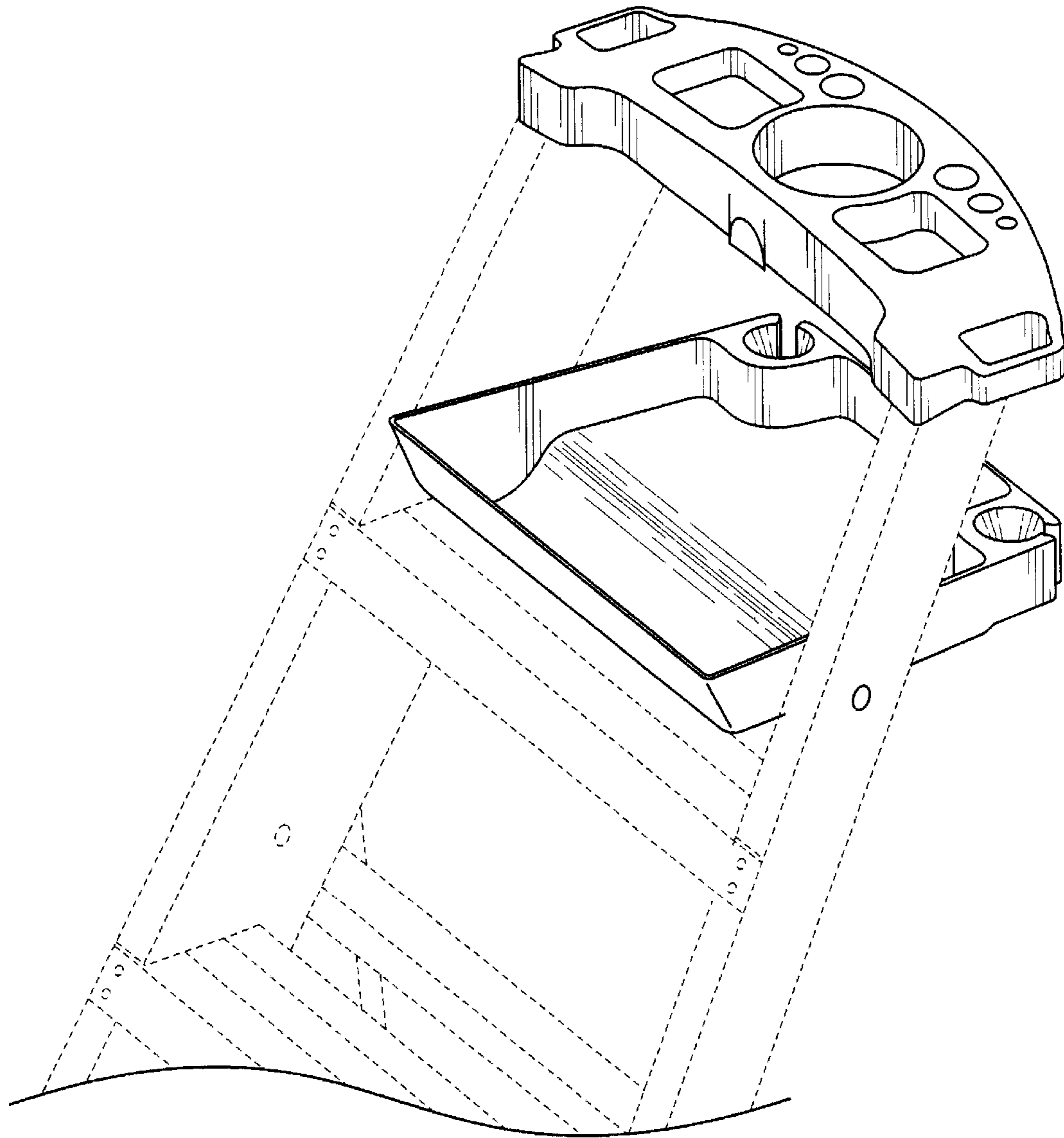


FIG. 4

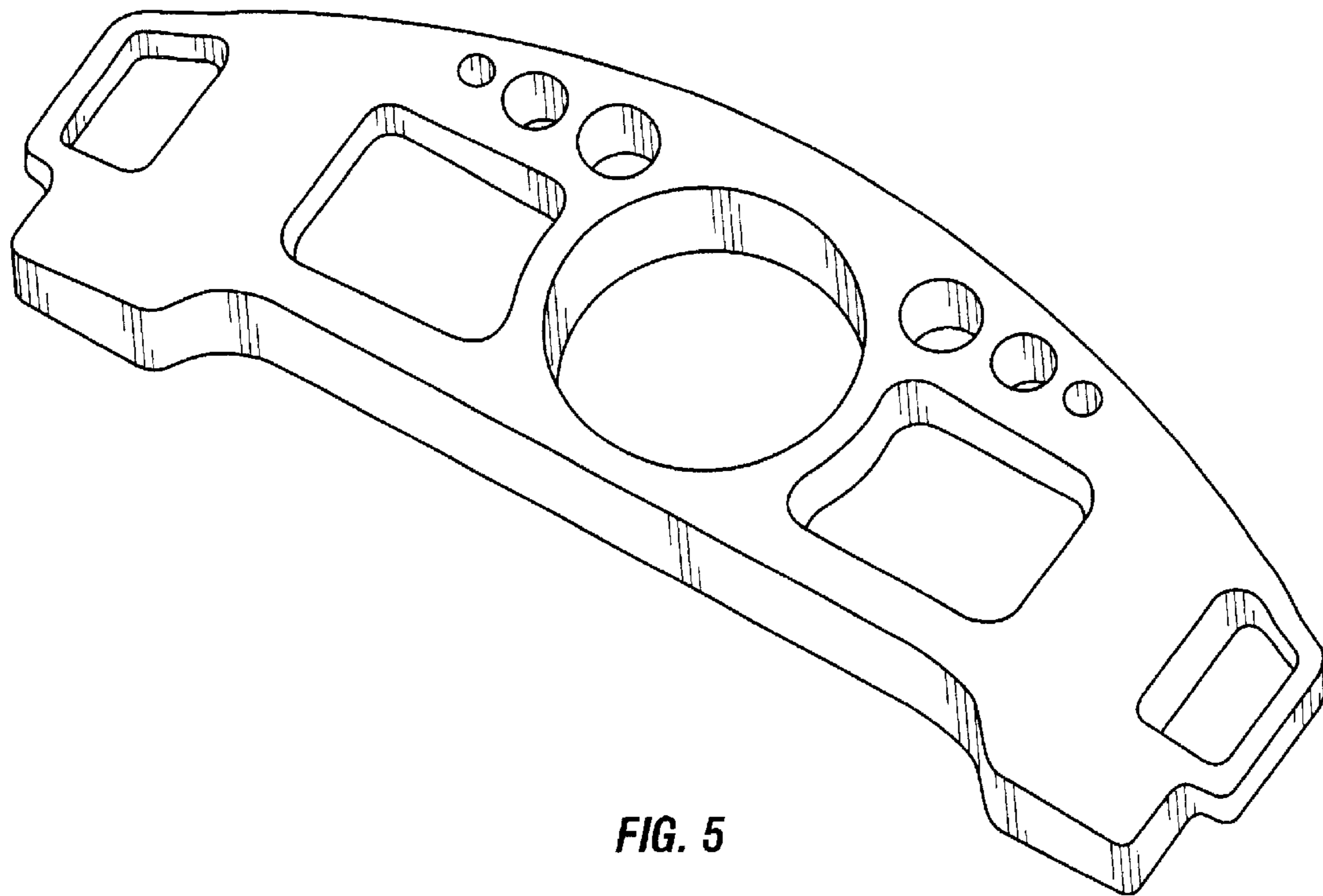


FIG. 5

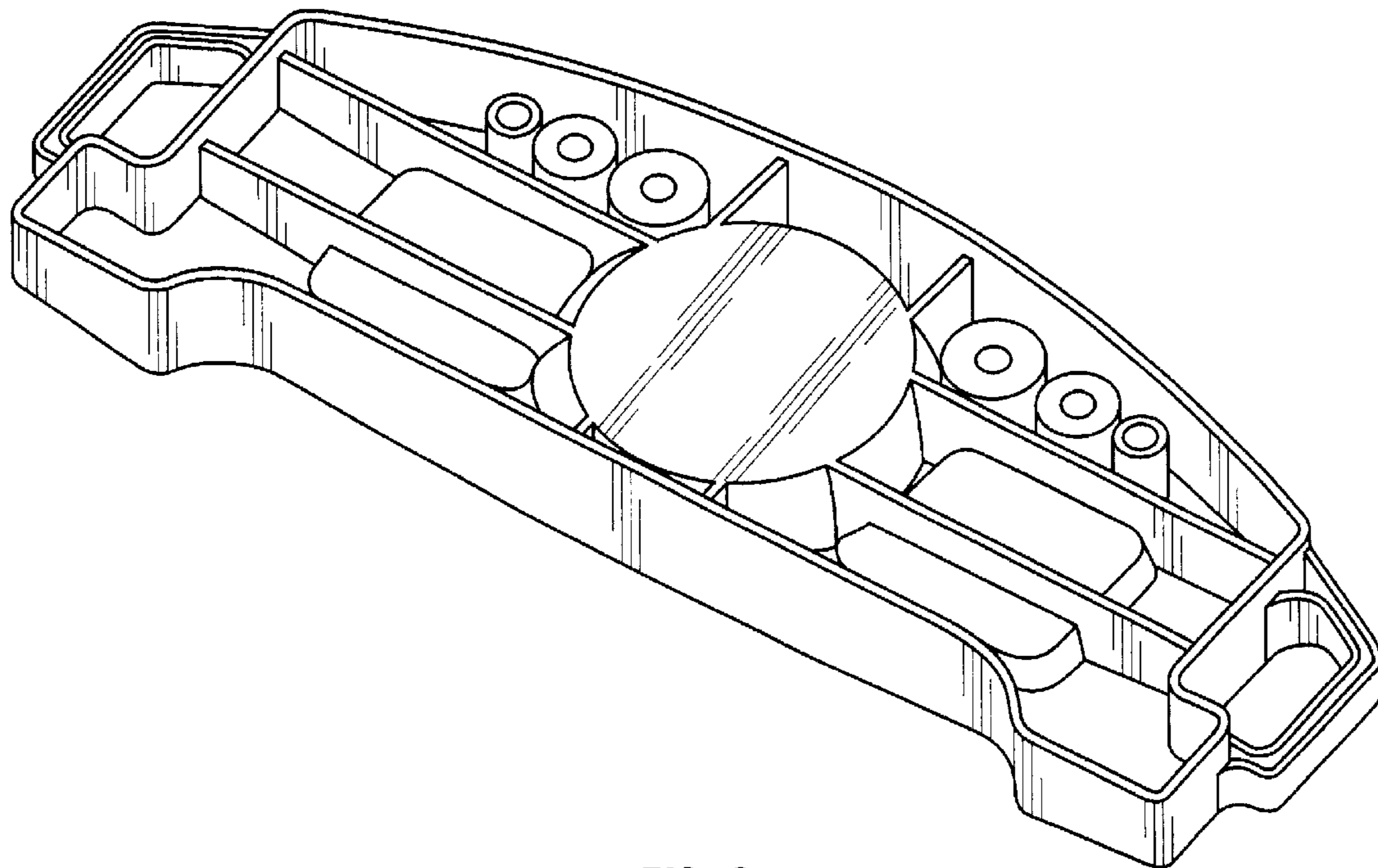


FIG. 6

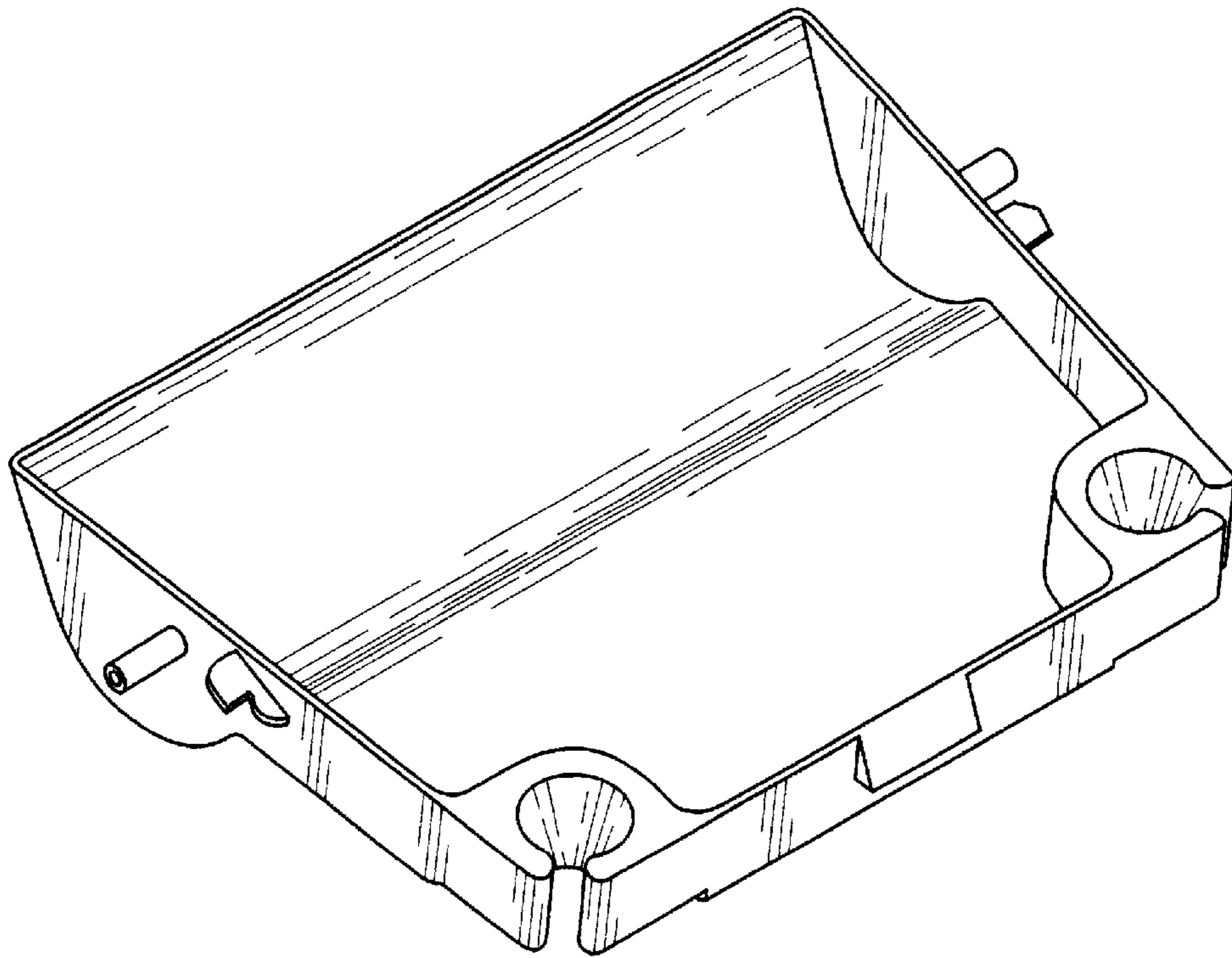


FIG. 7

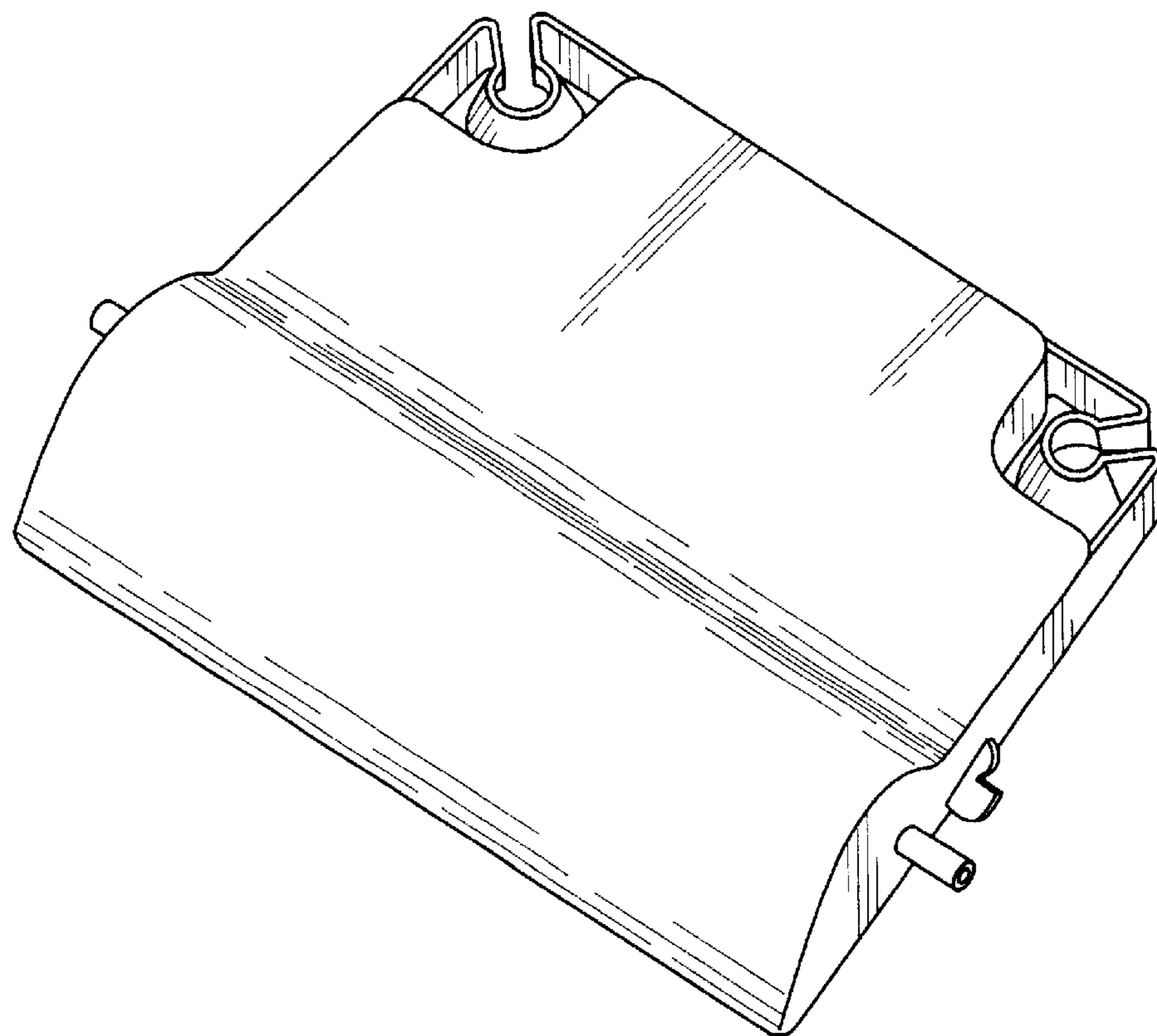


FIG. 8