



US00D541427S

(12) **United States Design Patent**
Palmer, III

(10) **Patent No.:** **US D541,427 S**

(45) **Date of Patent:** **** Apr. 24, 2007**

(54) **BONE SHAPED ANIMAL POOL**

(76) Inventor: **Raymond A. Palmer, III**, 17983 W.
Hubbard Dr., Goodyear, AZ (US) 85338

(**) Term: **14 Years**

(21) Appl. No.: **29/232,245**

(22) Filed: **Jun. 15, 2005**

(51) **LOC (8) Cl.** **25-03**

(52) **U.S. Cl.** **D25/2; D30/199**

(58) **Field of Classification Search** D25/2;
D21/803, 815; 4/513; D30/102, 112, 160,
D30/199

See application file for complete search history.

(56) **References Cited**

U.S. PATENT DOCUMENTS

D271,995 S	*	12/1983	Topete	D25/2
4,510,632 A	*	4/1985	Elsis	4/488
D509,593 S	*	9/2005	Sullivan	D25/2

* cited by examiner

Primary Examiner—Doris Clark

(74) *Attorney, Agent, or Firm*—The Halvorson Law Firm
P.C

(57) **CLAIM**

I claim the ornamental design for a bone shaped animal pool,
as shown and described.

DESCRIPTION

FIG. 1 is a perspective view of a bone shaped animal pool,
according to the present invention;

FIG. 2 is an end view of the bone shaped animal pool,
according to the present invention;

FIG. 3 is another end view of the bone shaped animal pool,
according to the present invention;

FIG. 4 is a side view of the bone shaped animal pool,
according to the present invention;

FIG. 5 is a second side view of the bone shaped animal pool,
according to the present invention;

FIG. 6 is a top view of the bone shaped animal pool,
according to the present invention; and,

FIG. 7 is a bottom view of the bone shaped animal pool,
according to the present invention.

1 Claim, 4 Drawing Sheets

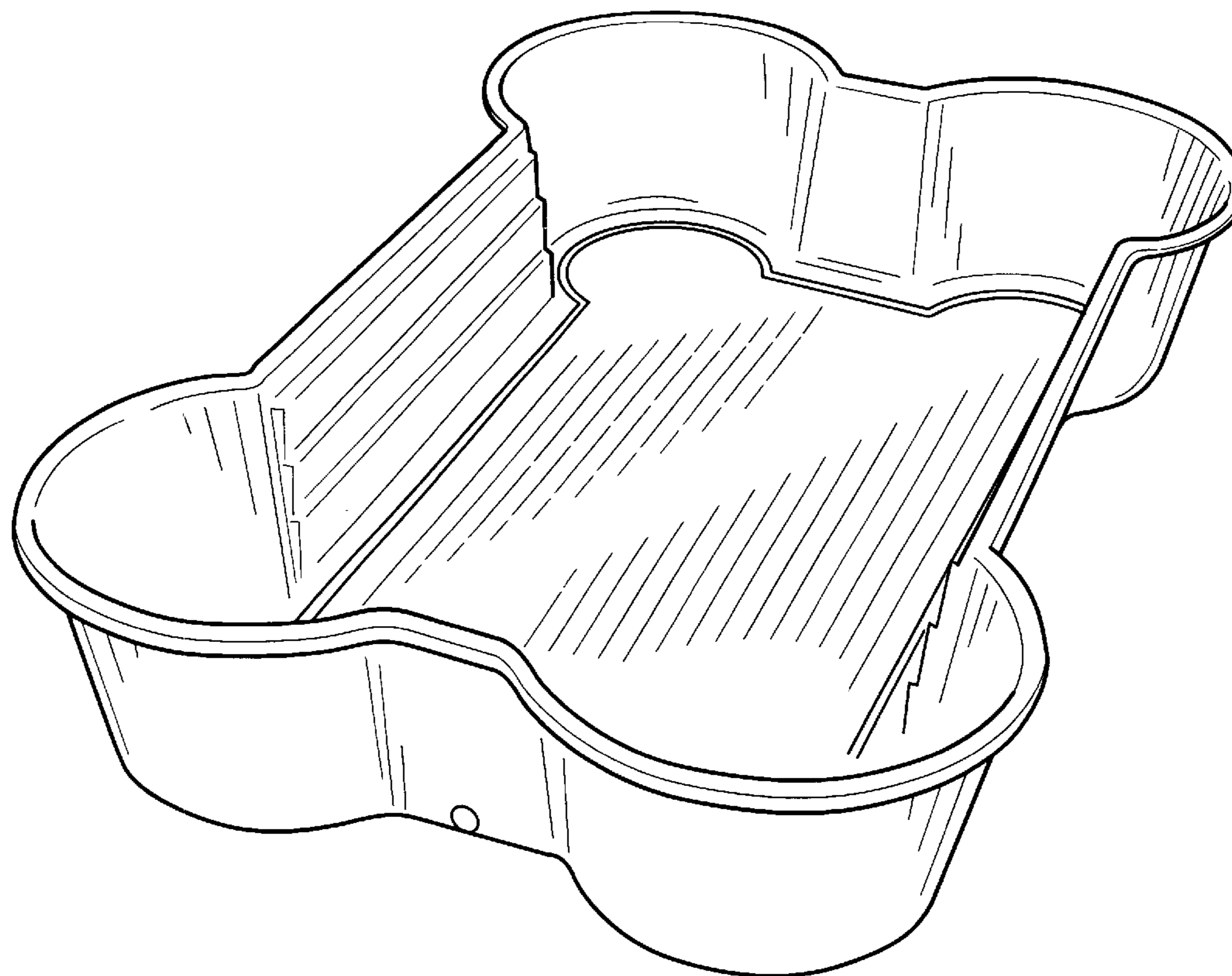


Fig. 1

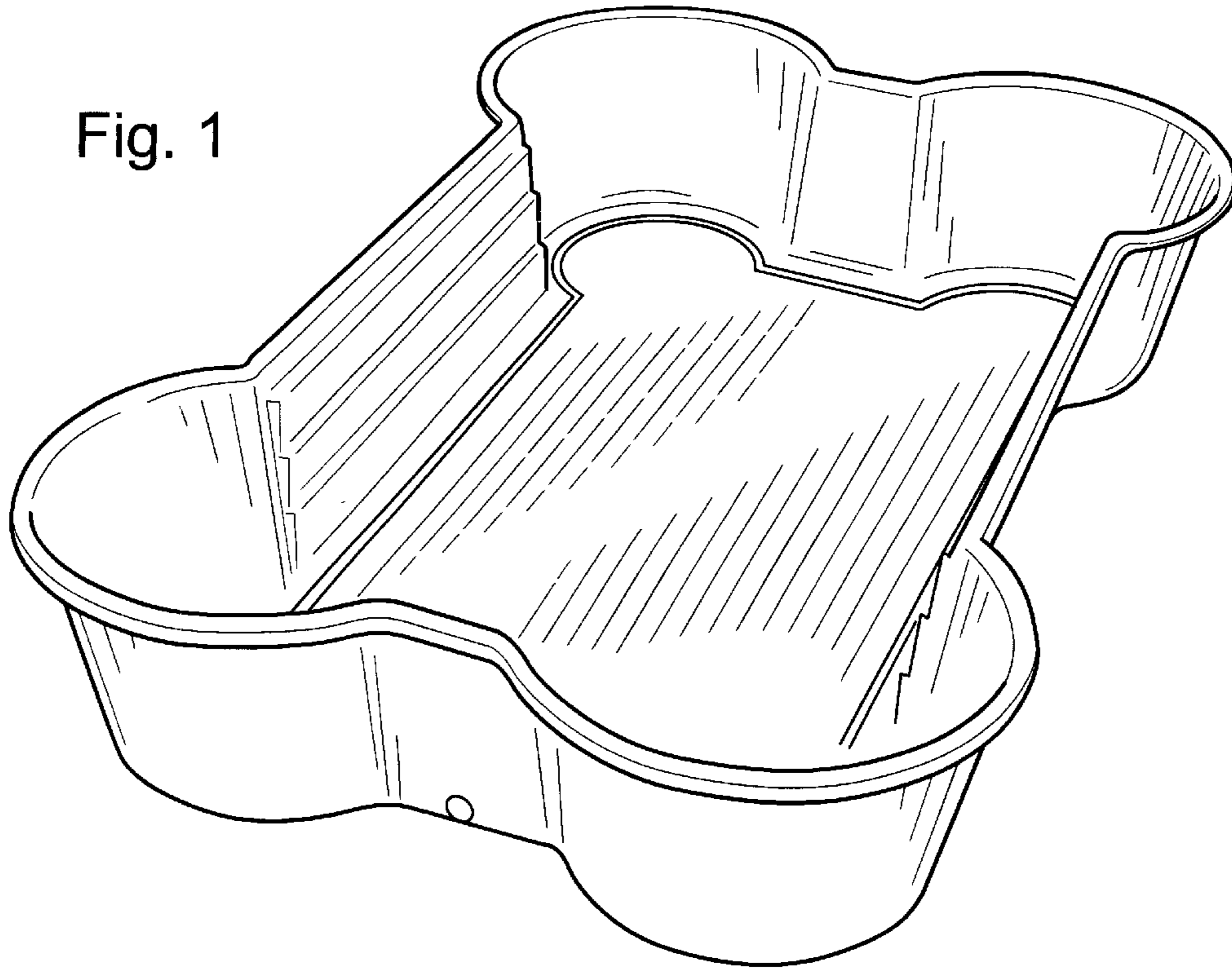


Fig. 2

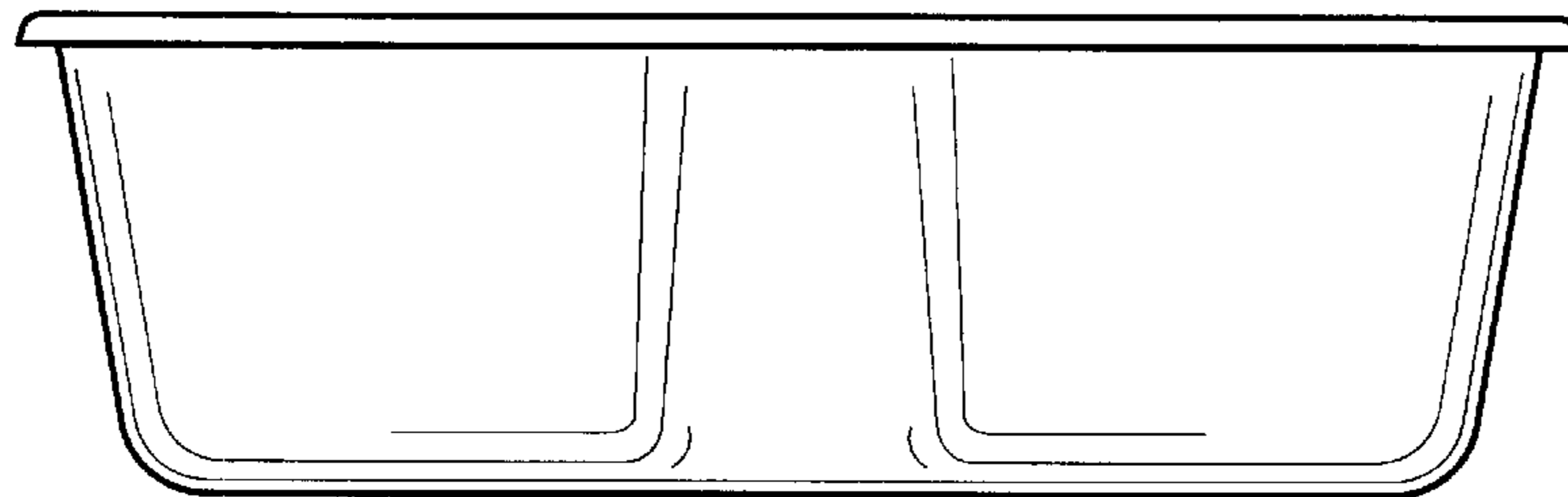
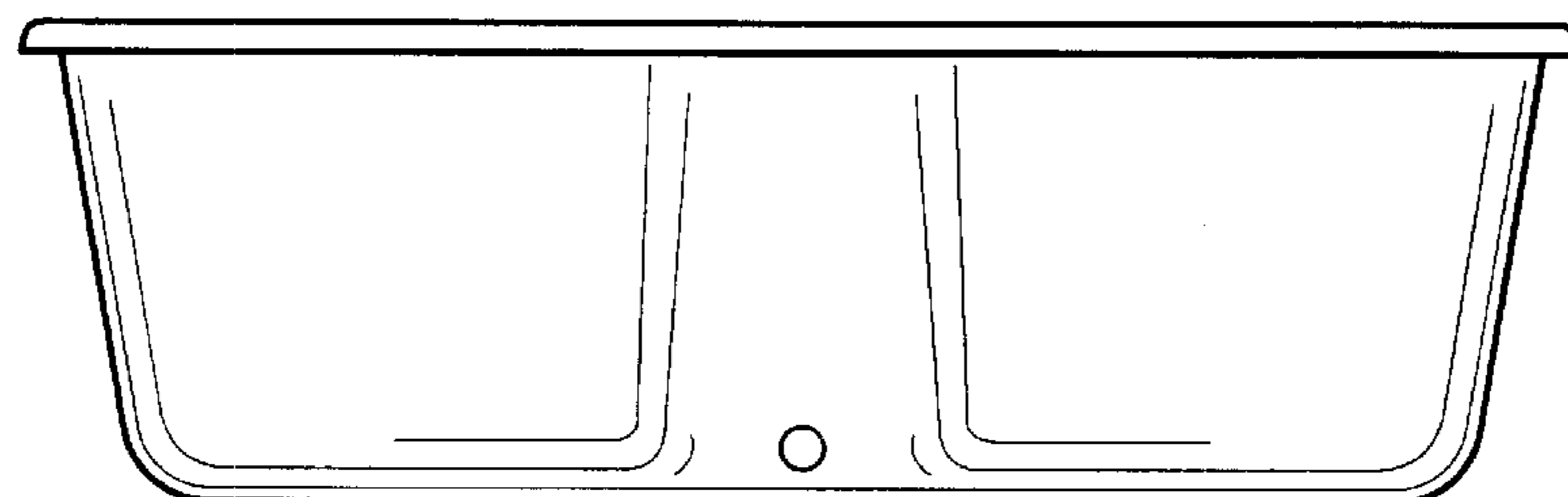


Fig. 3



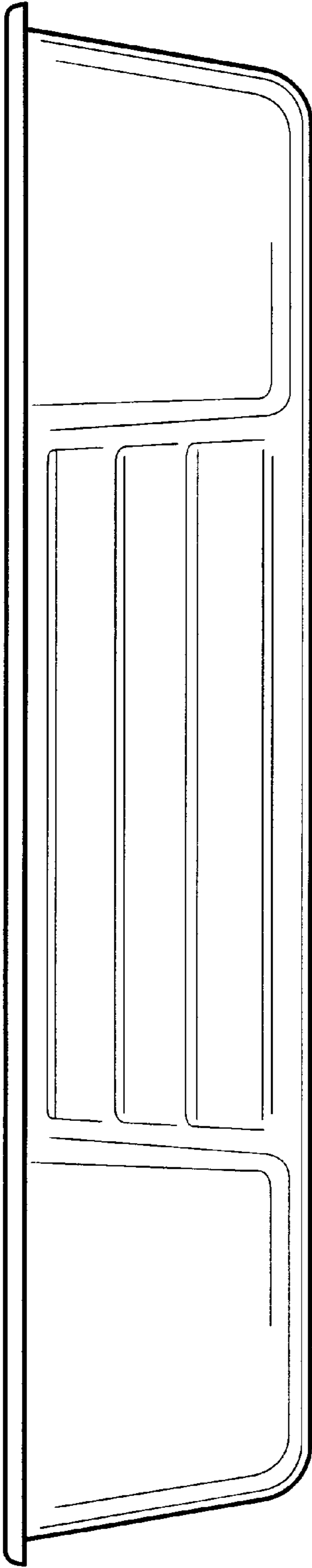


Fig. 4

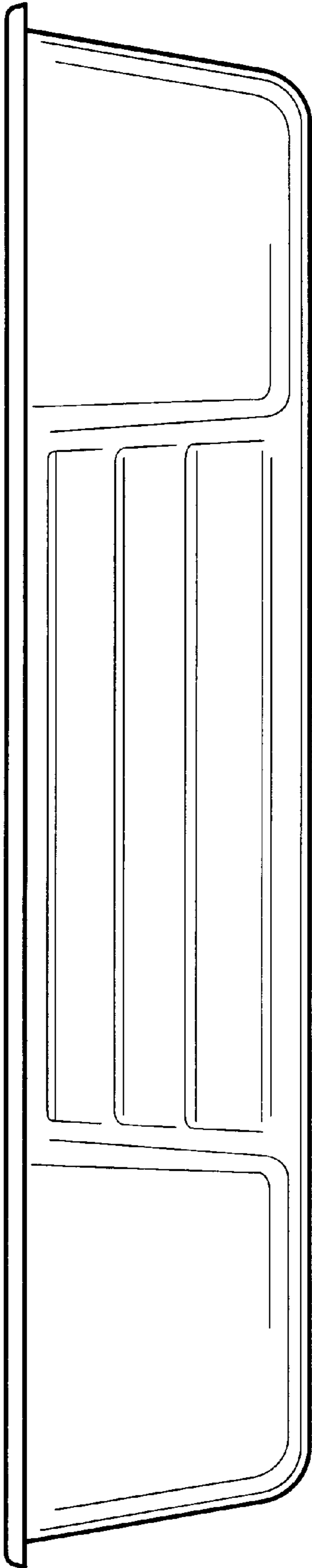


Fig. 5

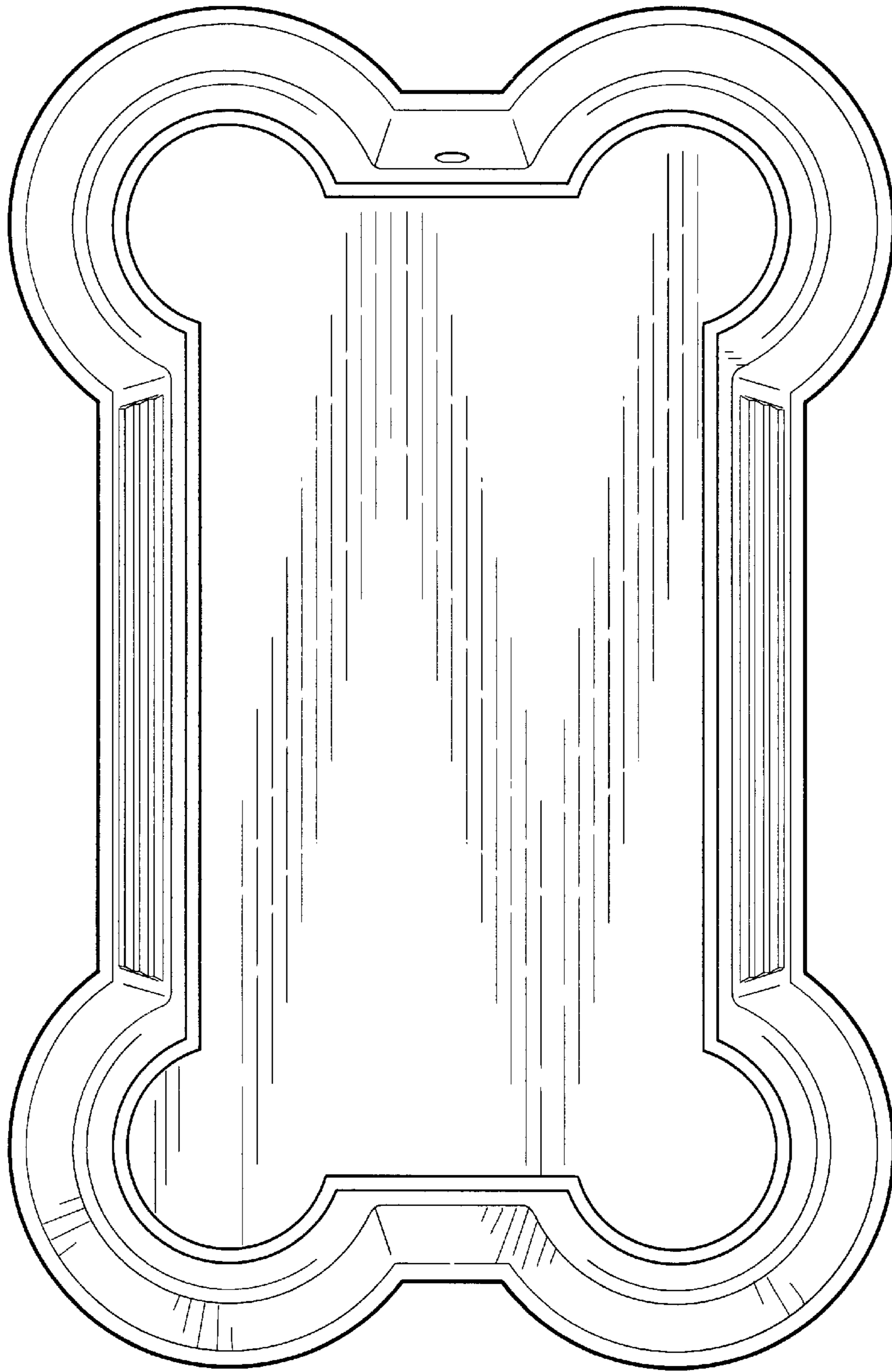


Fig. 6

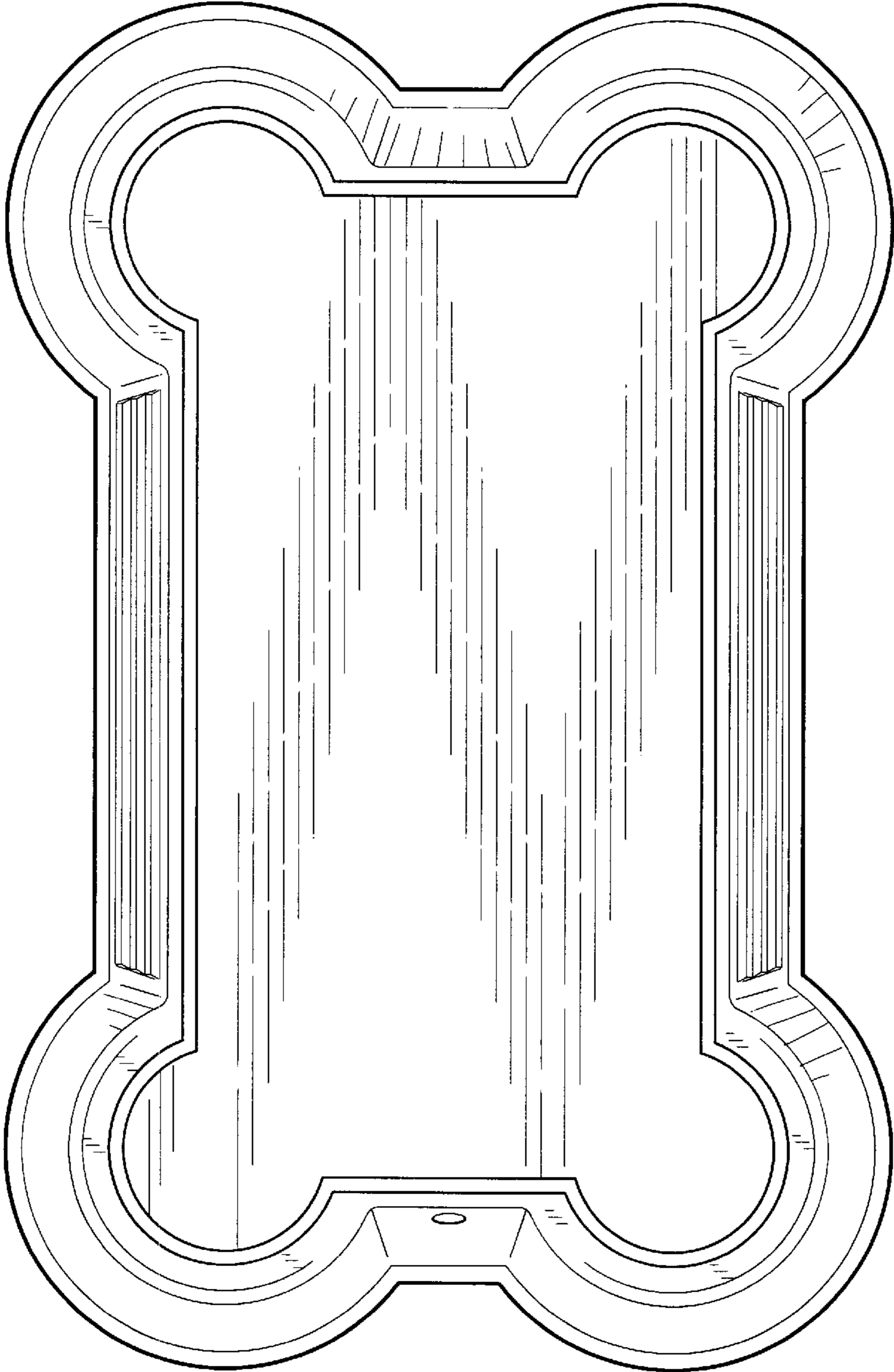


Fig. 7