

US00D541426S

(12) **United States Design Patent**
Sato et al.

(10) **Patent No.:** **US D541,426 S**

(45) **Date of Patent:** **** Apr. 24, 2007**

(54) **PRESERVATION CONTAINER**

D447,694 S * 9/2001 Leggett D9/520

(75) Inventors: **Yoshiharu Sato**, Kyoto (JP); **Takehiro Yamaguchi**, Kyoto (JP)

* cited by examiner

Primary Examiner—Robery A. Delehanty

Assistant Examiner—Mark Cavanna

(73) Assignee: **Arkray, Inc.**, Kyoto (JP)

(74) *Attorney, Agent, or Firm*—Hamre, Schumann, Mueller & Larson, P.C.

(**) Term: **14 Years**

(57) **CLAIM**

(21) Appl. No.: **29/221,095**

The ornamental design for preservation container, as shown and described.

(22) Filed: **Jan. 10, 2005**

(30) **Foreign Application Priority Data**

DESCRIPTION

Jul. 12, 2004 (JP) 2004-020990

(51) **LOC (8) Cl.** **24-02**

(52) **U.S. Cl.** **D24/224**

(58) **Field of Classification Search** D24/216–234;
D3/203.1–203.3; D9/516, 522, 529–530,
D9/551; 220/505–506, 516, 519, 524; 215/6,
215/300

See application file for complete search history.

FIG. 1 is a front view thereof;
FIG. 2 is a rear view thereof;
FIG. 3 is a right side view thereof;
FIG. 4 is a plane view thereof;
FIG. 5 is a bottom view thereof;
FIG. 6 is a front view thereof when the lid is open;
FIG. 7 is a rear view thereof when the lid is open;
FIG. 8 is a right side view thereof when the lid is open;
FIG. 9 is a plane view thereof when the lid is open;
FIG. 10 is a bottom view thereof when the lid is open;
FIG. 11 is a sectional view thereof taken along a line A—A shown in FIG. 1.
FIG. 12 is a sectional view thereof taken along a line B—B shown in FIG. 3;
FIG. 13 is a sectional view thereof taken along a line C—C shown in FIG. 3; and,
FIG. 14 is a perspective view thereof.

(56) **References Cited**

U.S. PATENT DOCUMENTS

- D326,228 S * 5/1992 Stratford et al. D9/521
- D342,140 S * 12/1993 Sakagami et al. D9/523
- D351,904 S * 10/1994 Maze D24/224
- D353,464 S * 12/1994 Ushikubo D9/523
- D358,219 S * 5/1995 Ushikubo D24/224
- D407,826 S * 4/1999 Yamazaki et al. D24/224
- 6,076,660 A * 6/2000 Day 206/63.5
- D447,058 S * 8/2001 Weber D9/543

1 Claim, 7 Drawing Sheets

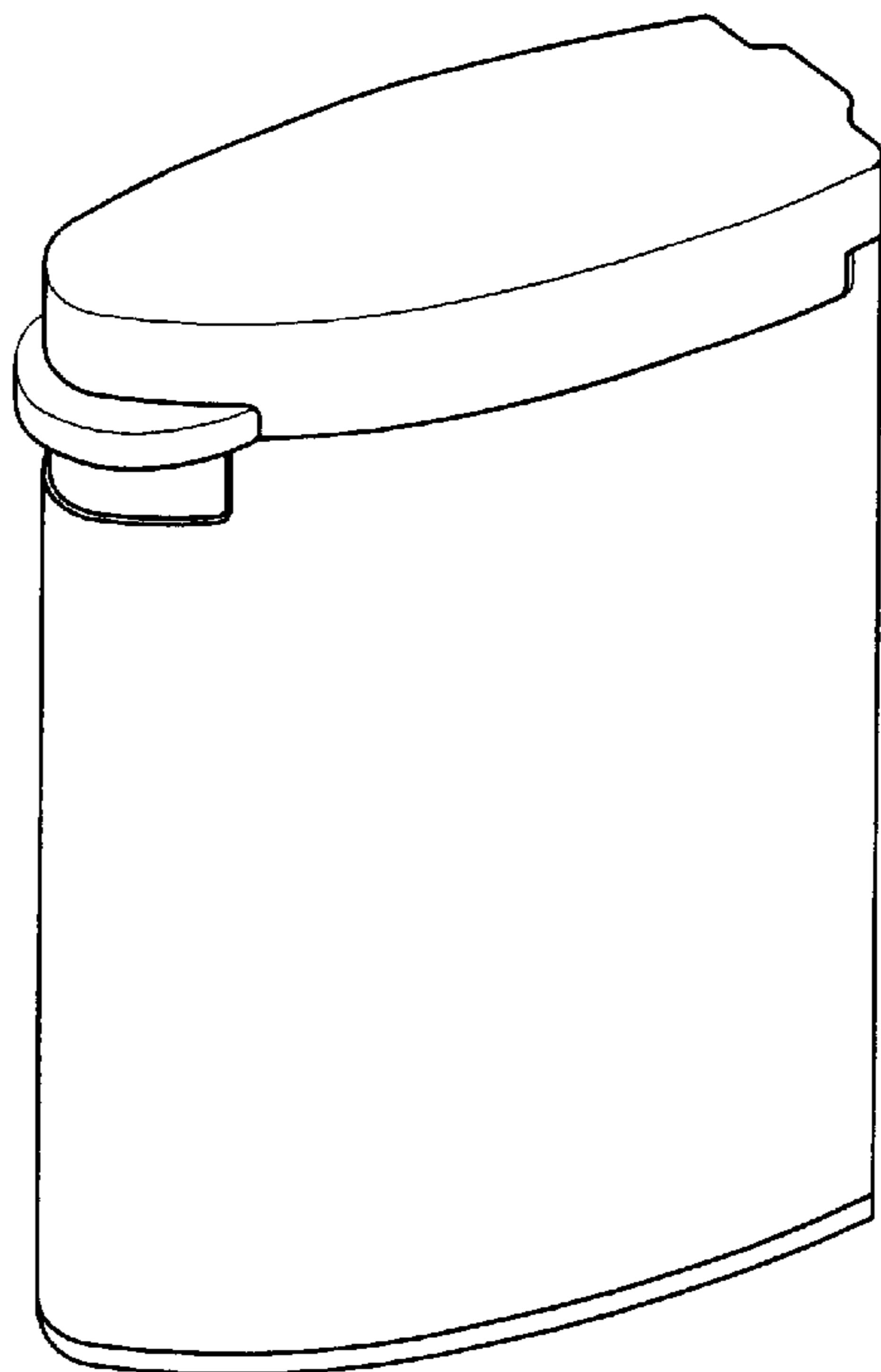


FIG.1

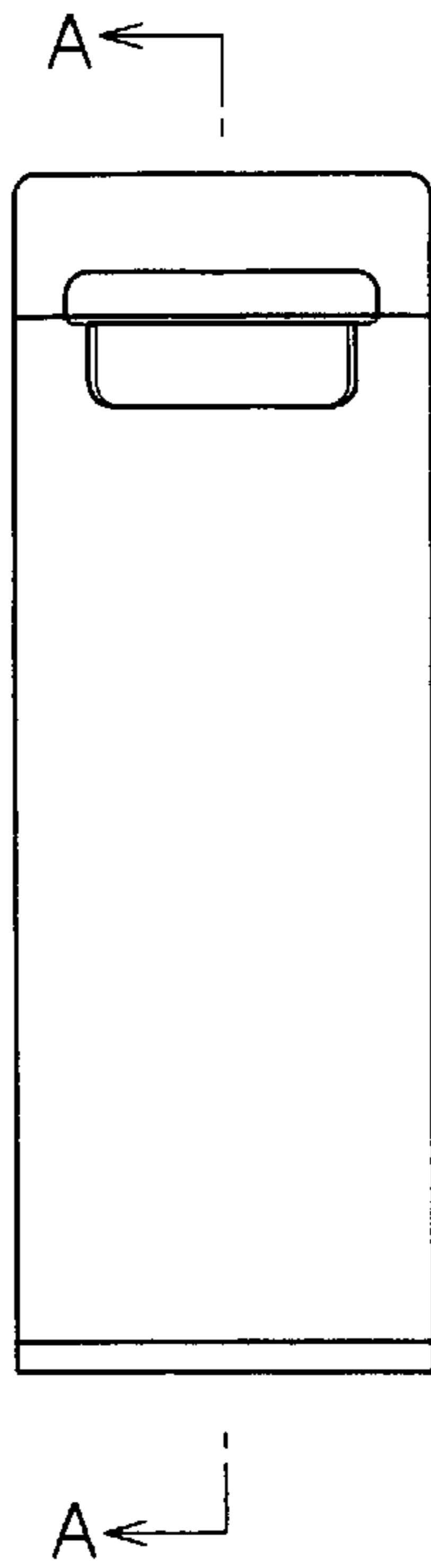


FIG.2

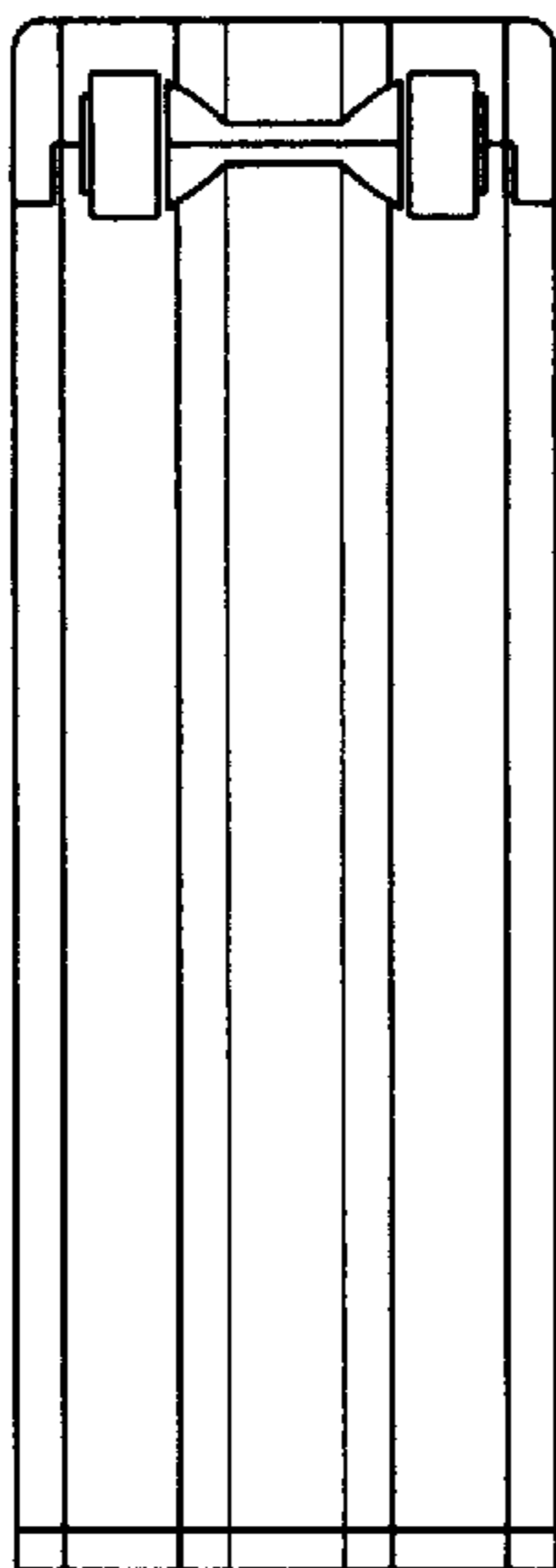


FIG. 3

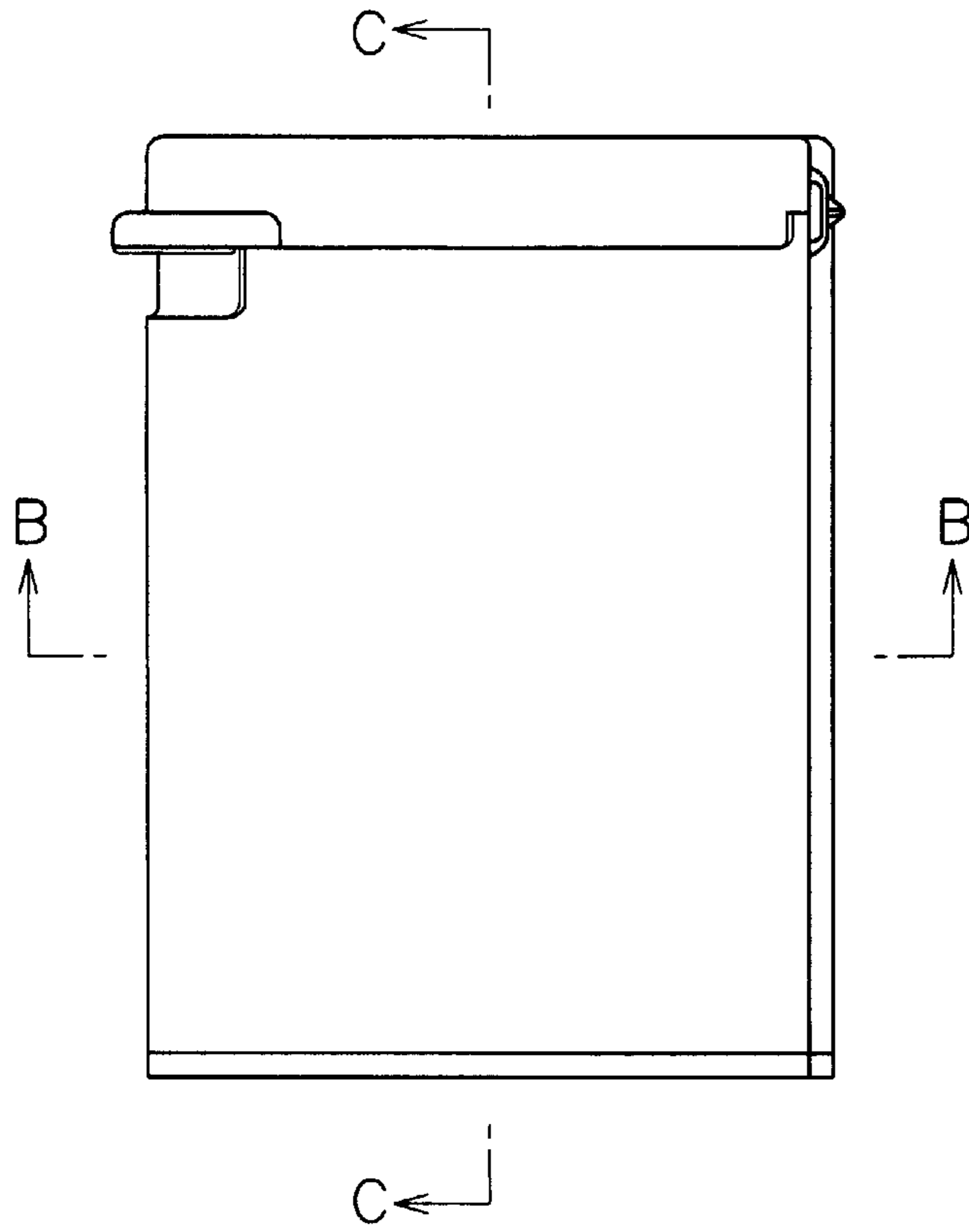


FIG. 4

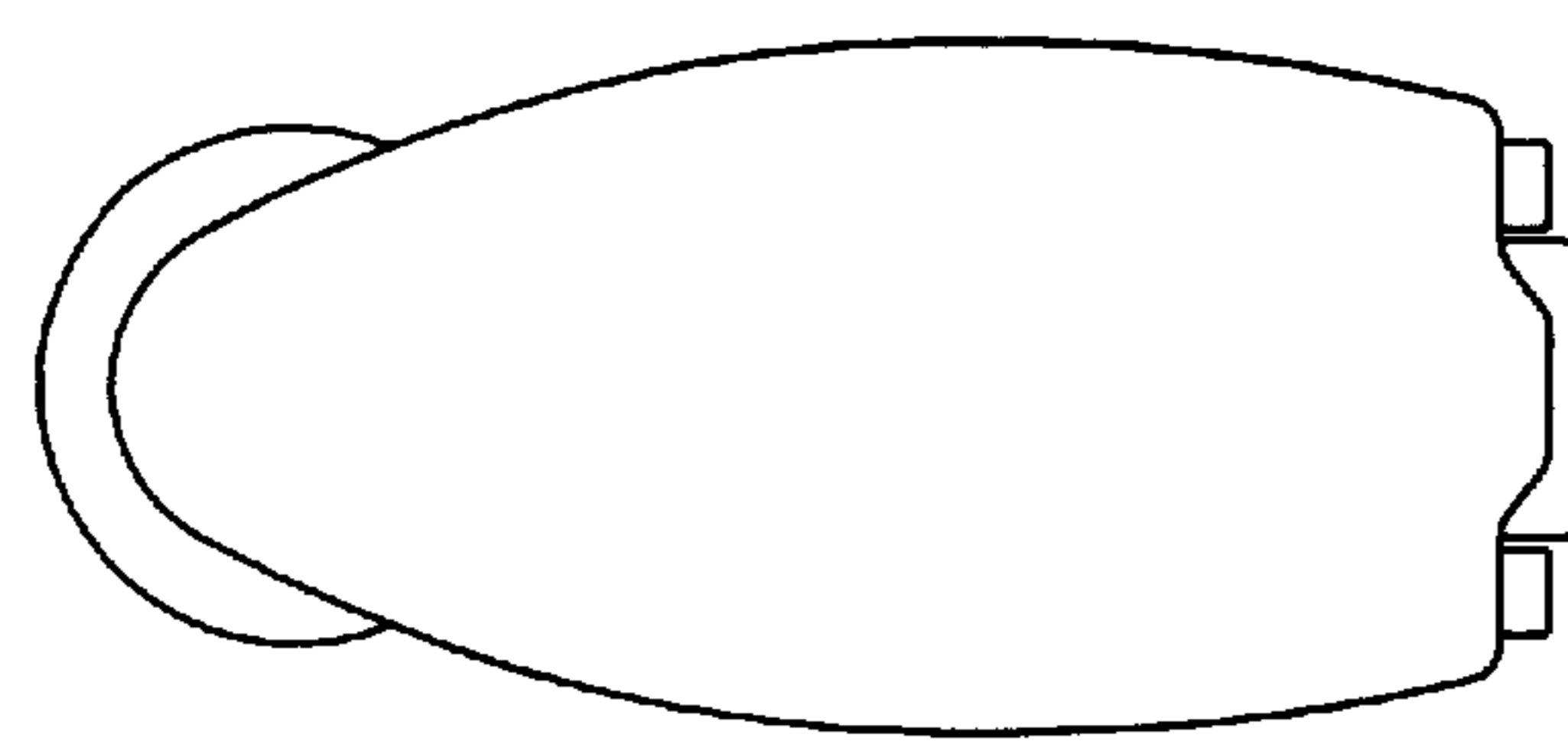


FIG.5

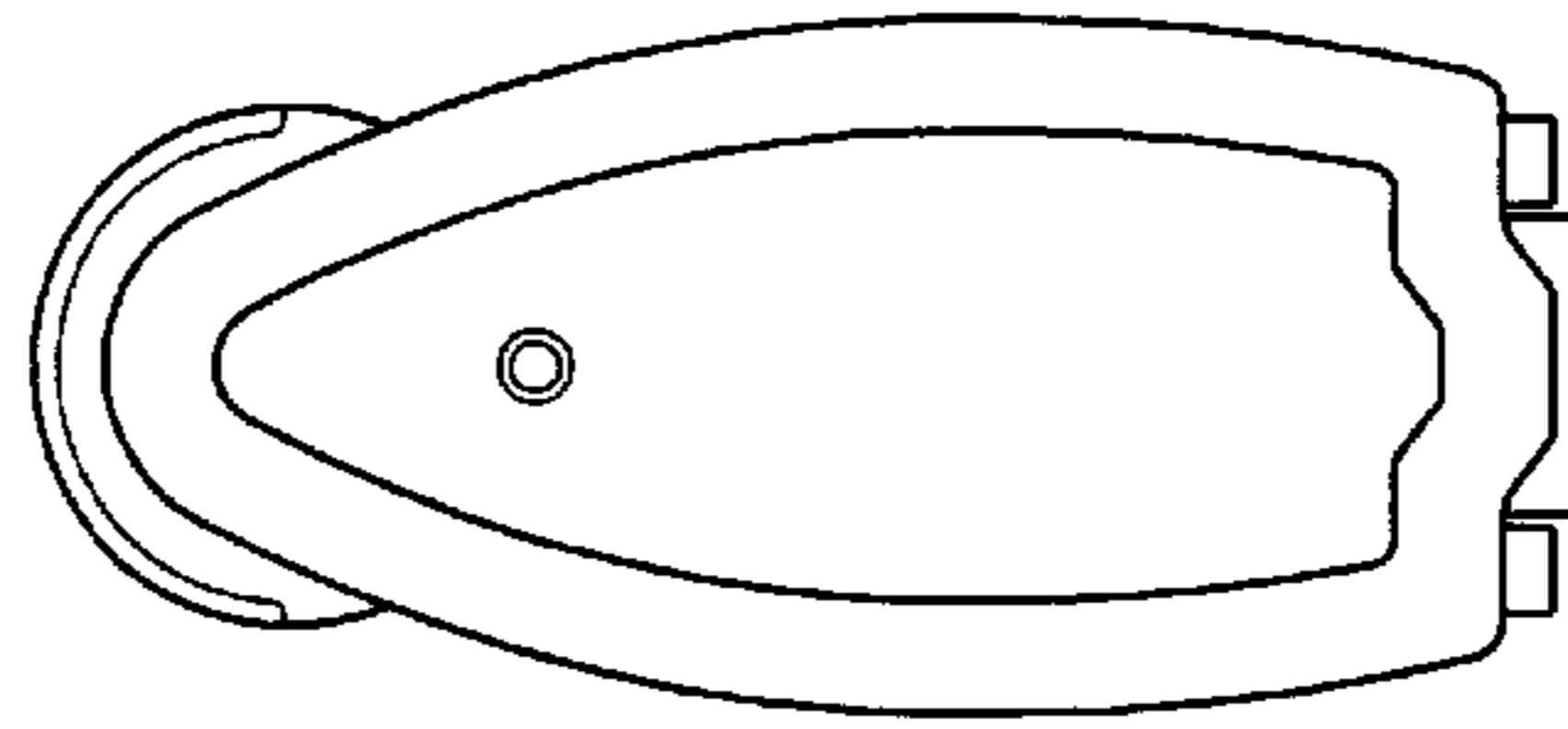


FIG.6

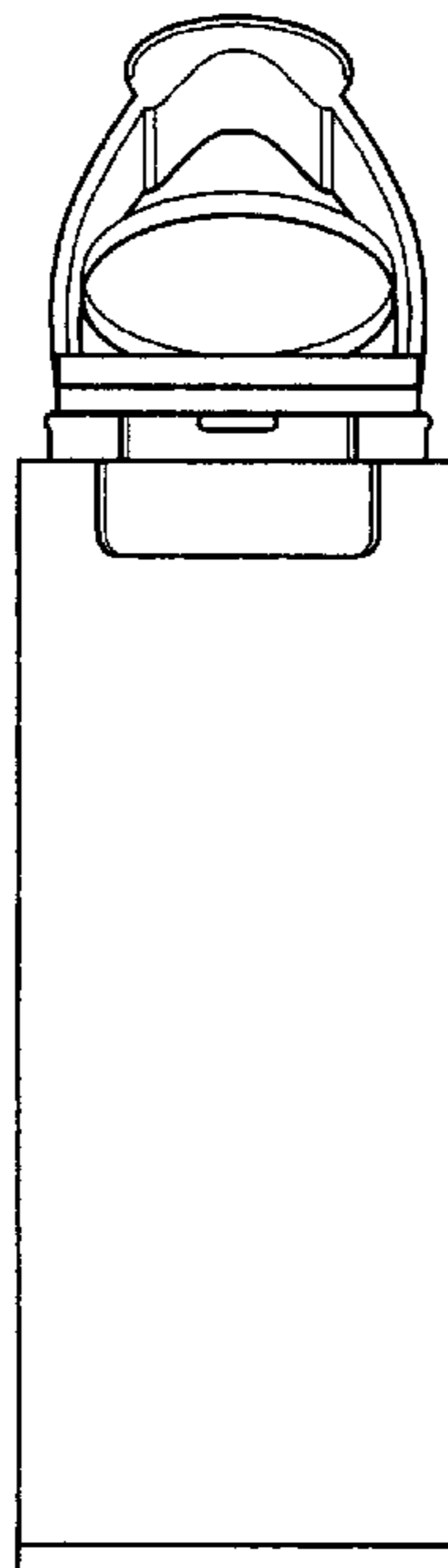


FIG. 7

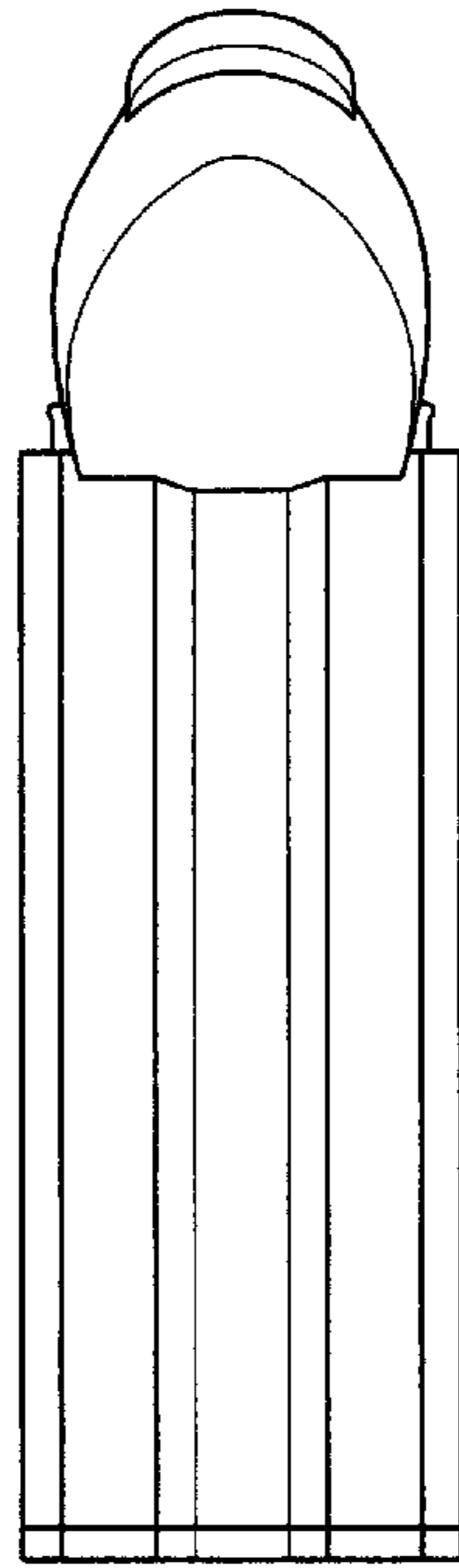


FIG. 8

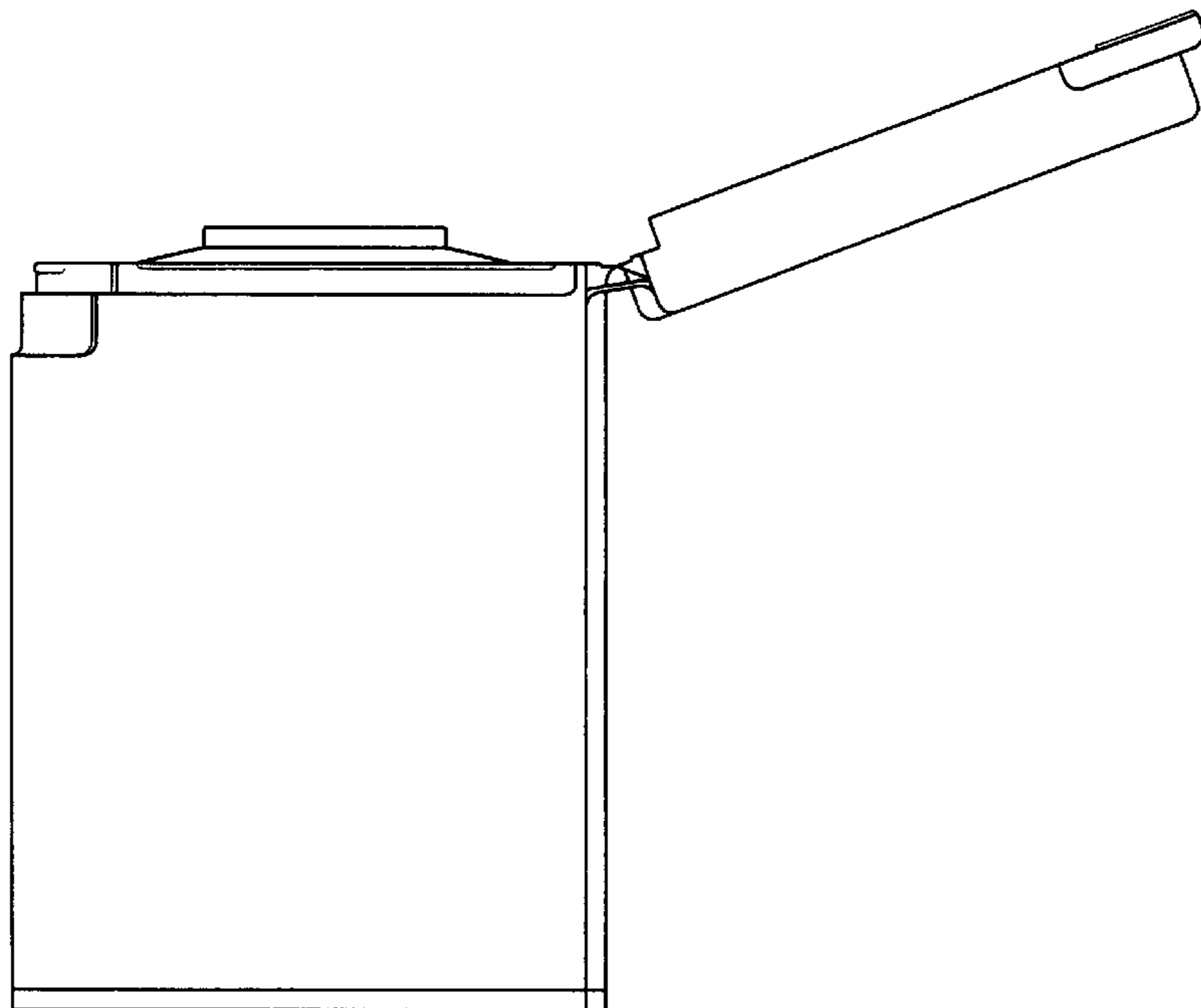


FIG.9

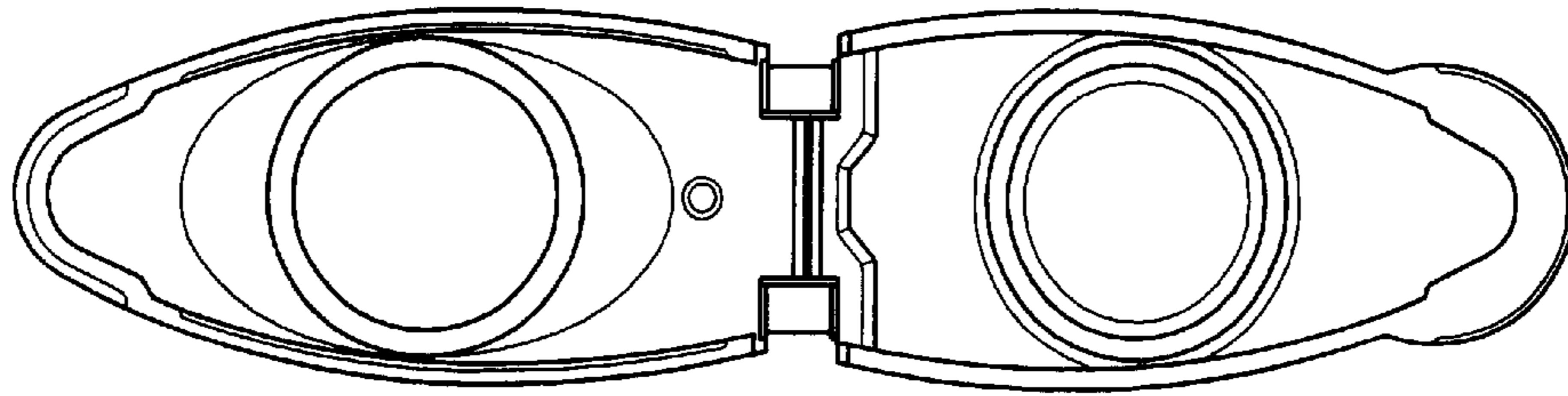


FIG.10

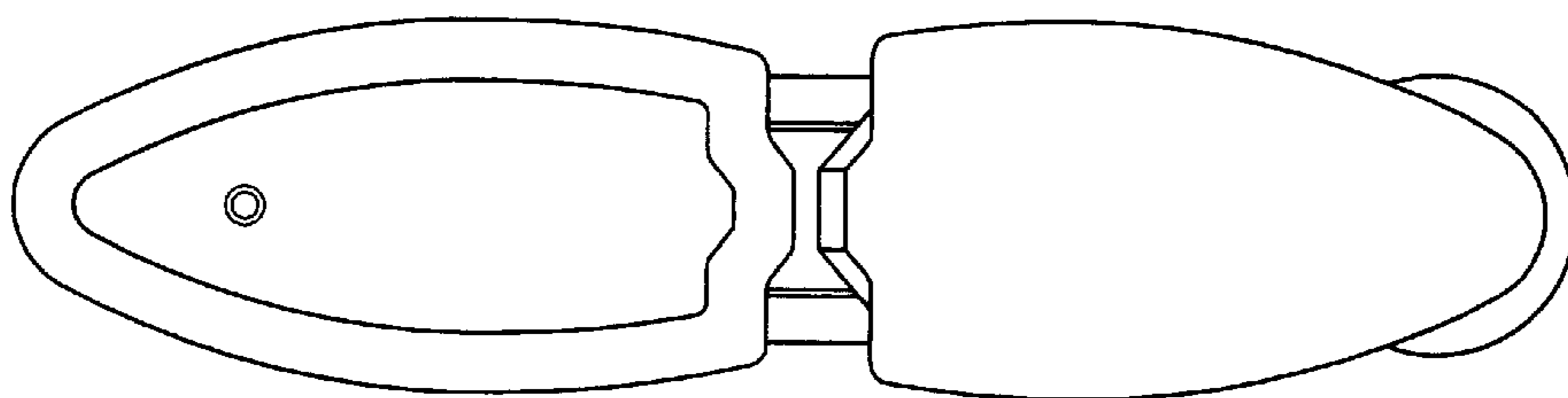


FIG.11

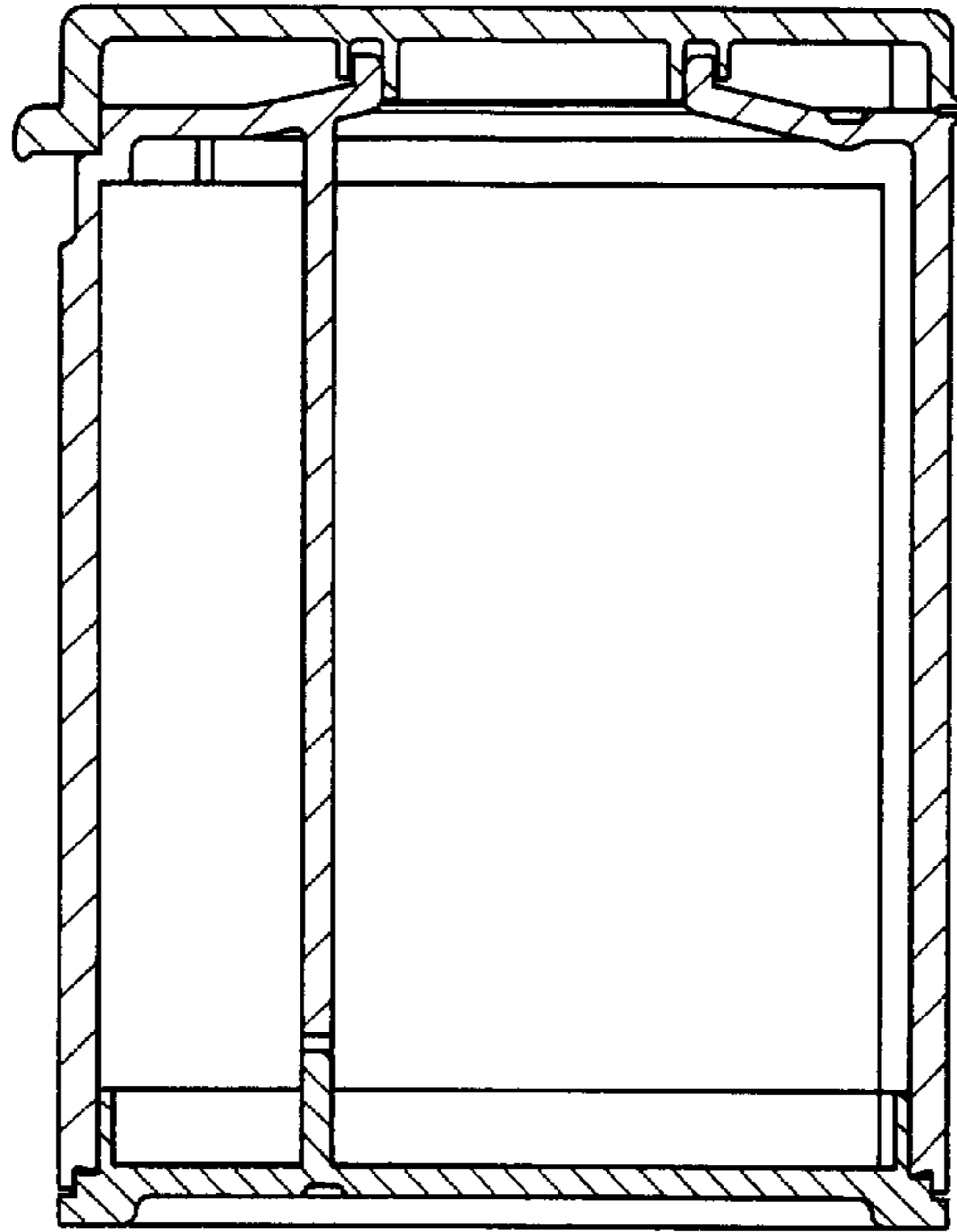


FIG.12

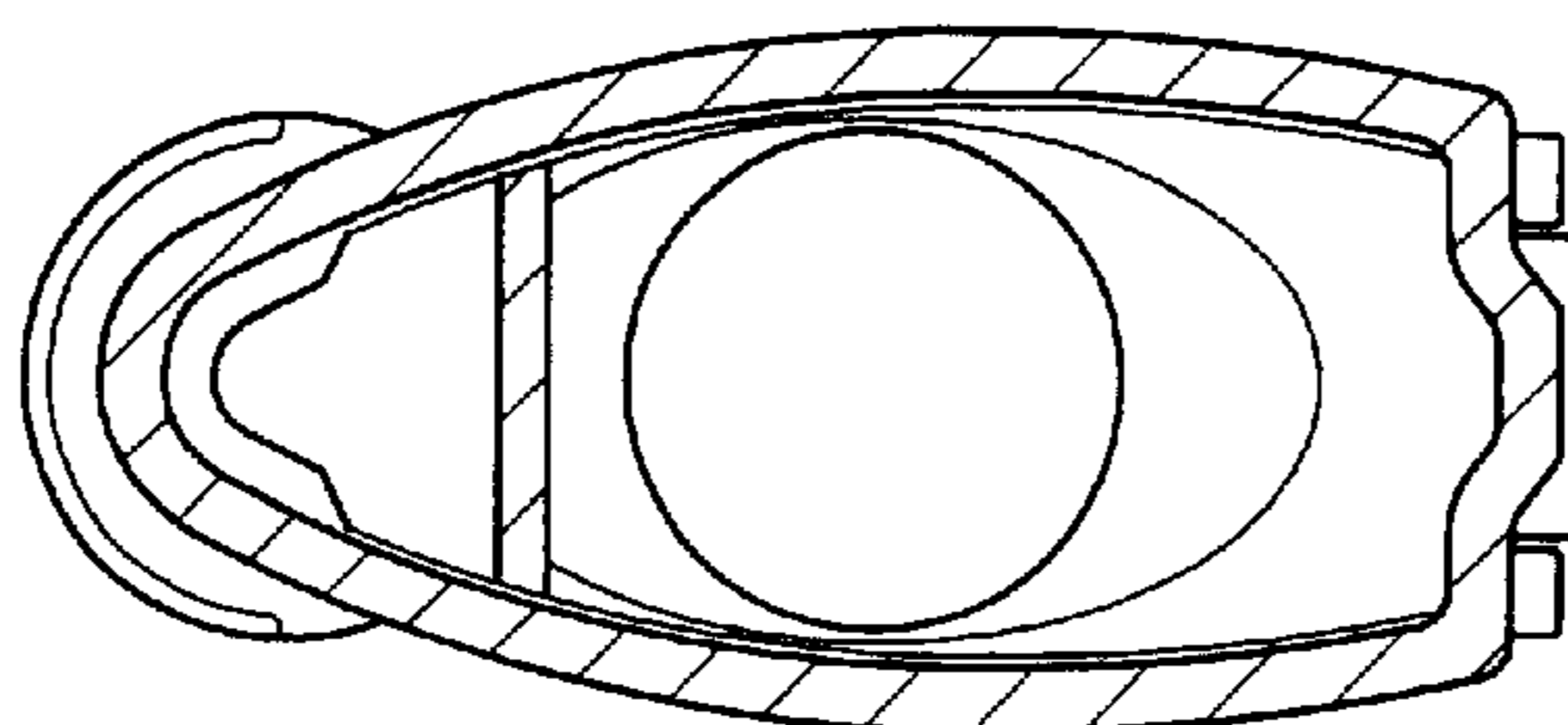


FIG.13

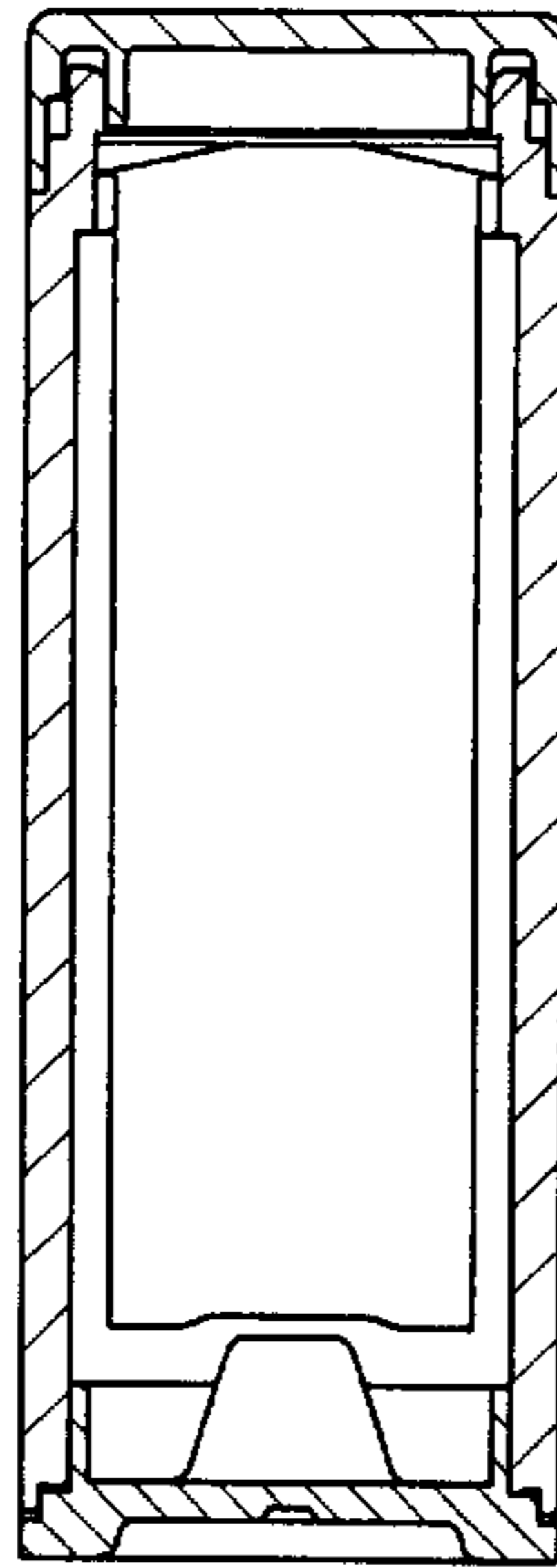


FIG.14

