



US00D541424S

(12) **United States Design Patent**
Cafaro

(10) **Patent No.:** **US D541,424 S**

(45) **Date of Patent:** **** Apr. 24, 2007**

(54) **FOOTBATH**

(75) Inventor: **Michael Cafaro**, El Paso, TX (US)

(73) Assignee: **Helen of Troy Limited**, St. Michael (BB)

(**) Term: **14 Years**

(21) Appl. No.: **29/255,299**

(22) Filed: **Mar. 8, 2006**

(51) **LOC (8) Cl.** **28-03**

(52) **U.S. Cl.** **D24/212**

(58) **Field of Classification Search** D24/200-205,
D24/211-213; 601/6, 15, 64, 157-158, 30-32;
4/622, 574.1; 607/144

See application file for complete search history.

(56) **References Cited**

U.S. PATENT DOCUMENTS

3,965,495	A	*	6/1976	McNair	4/622
D242,292	S	*	11/1976	Scott Miller	D24/205
D250,206	S	*	11/1978	Levin	D24/205
4,497,313	A	*	2/1985	Kurosawa	601/16
D285,003	S	*	8/1986	Madl	D24/205
D327,949	S	*	7/1992	Bucher	D24/205

D363,555	S	*	10/1995	Lie	D24/213
D405,535	S	*	2/1999	Schulz	D24/213
D453,836	S	*	2/2002	Gillette et al.	D24/213
D463,030	S	*	9/2002	Ferber	D24/213
D471,638	S	*	3/2003	Ferber	D24/213
D487,514	S	*	3/2004	Lie	D24/213
D487,515	S	*	3/2004	Lie	D24/213
D518,182	S	*	3/2006	Cafaro et al.	D24/212

* cited by examiner

Primary Examiner—Ian Simmons

Assistant Examiner—Melanie Levy

(57) **CLAIM**

The ornamental design for a footbath, as shown, and described.

DESCRIPTION

FIG. 1 is a perspective view of the footbath;

FIG. 2 is a top view of the footbath;

FIG. 3 is a side view of the footbath;

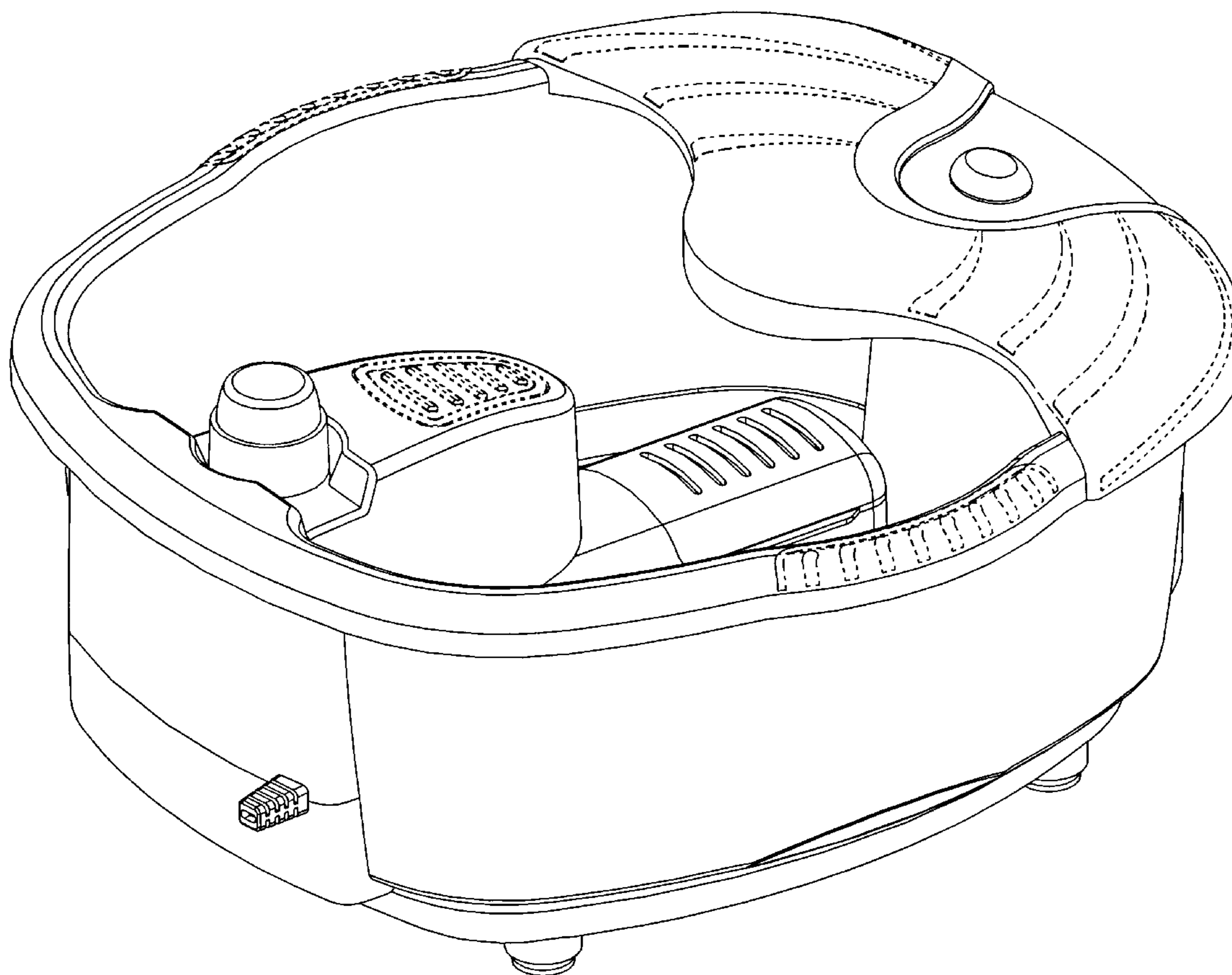
FIG. 4 is a bottom view of the footbath;

FIG. 5 is a front view of the footbath; and,

FIG. 6 is a rear view of the footbath.

The broken lines are for illustrative purposes only and form no part of the claimed design.

1 Claim, 4 Drawing Sheets



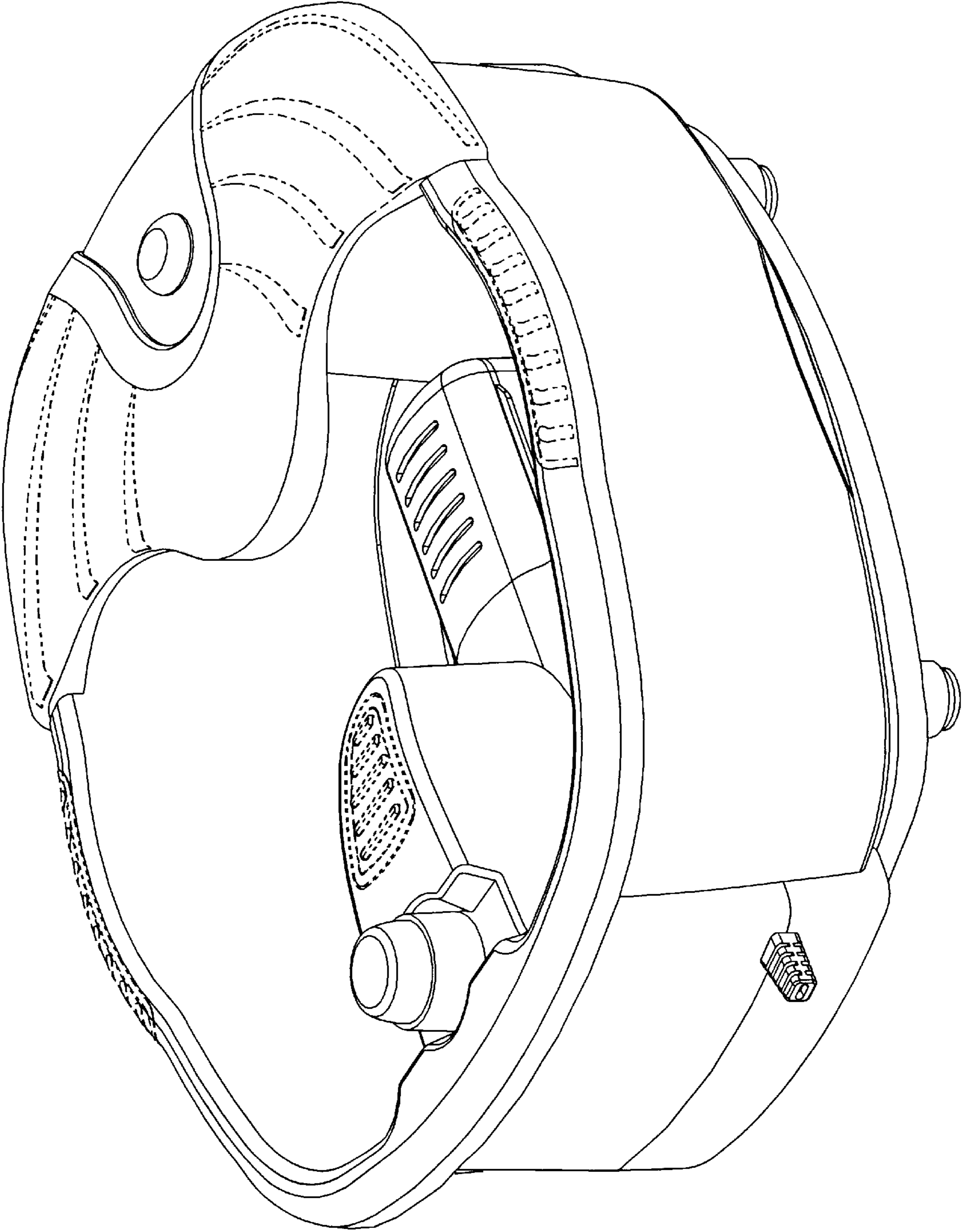


FIGURE 1

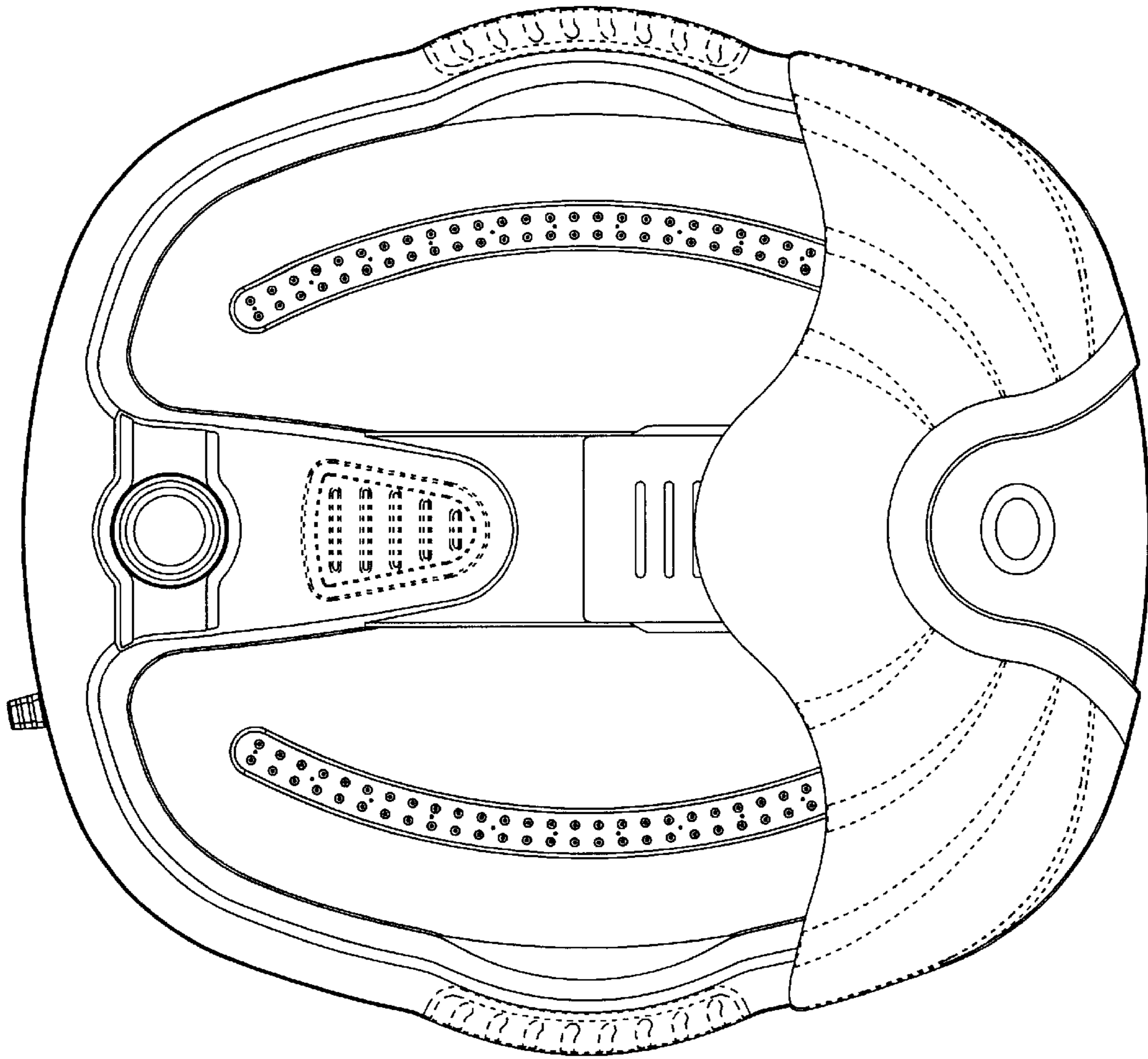


FIGURE 2

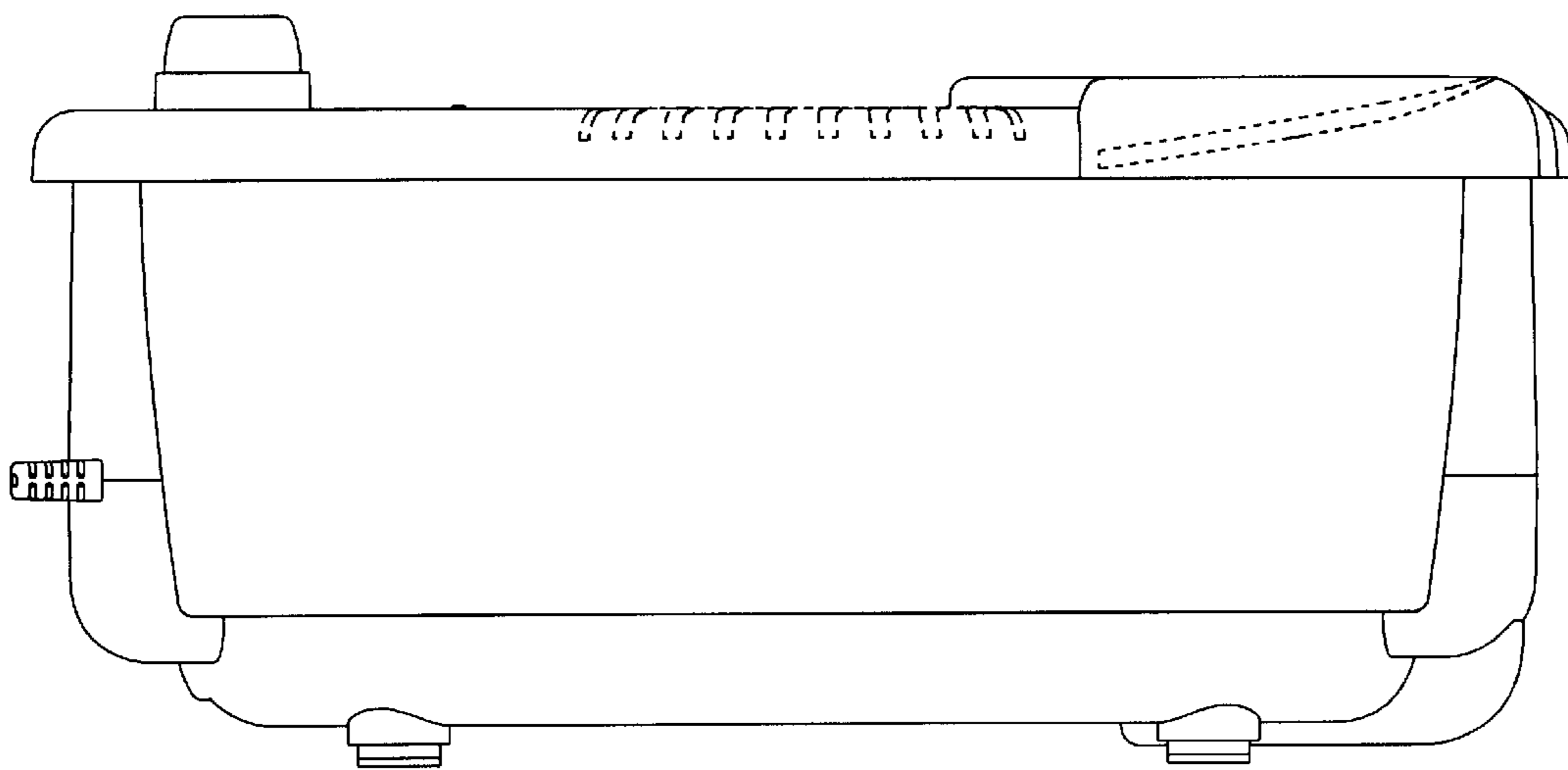


FIGURE 3

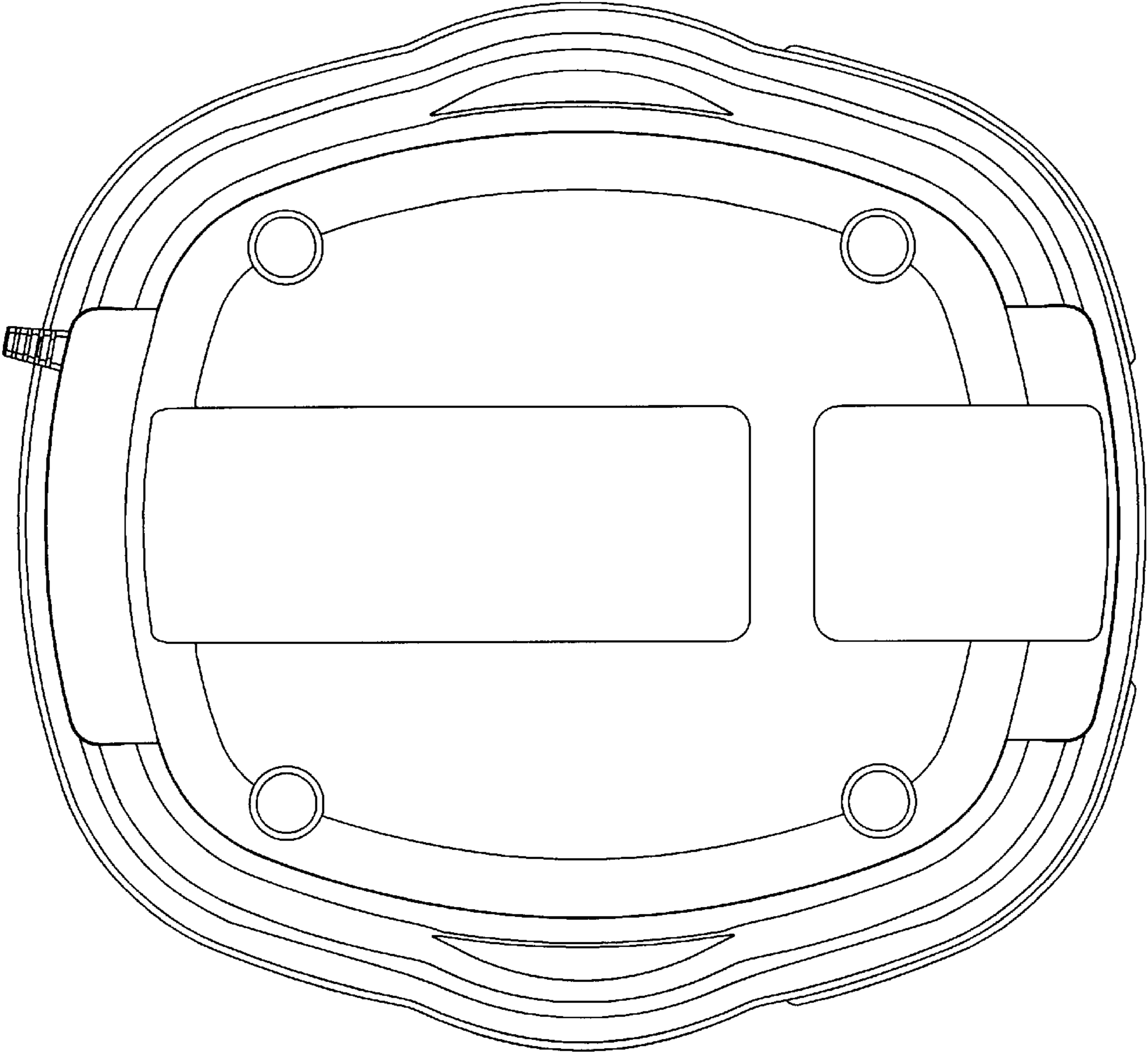


FIGURE 4

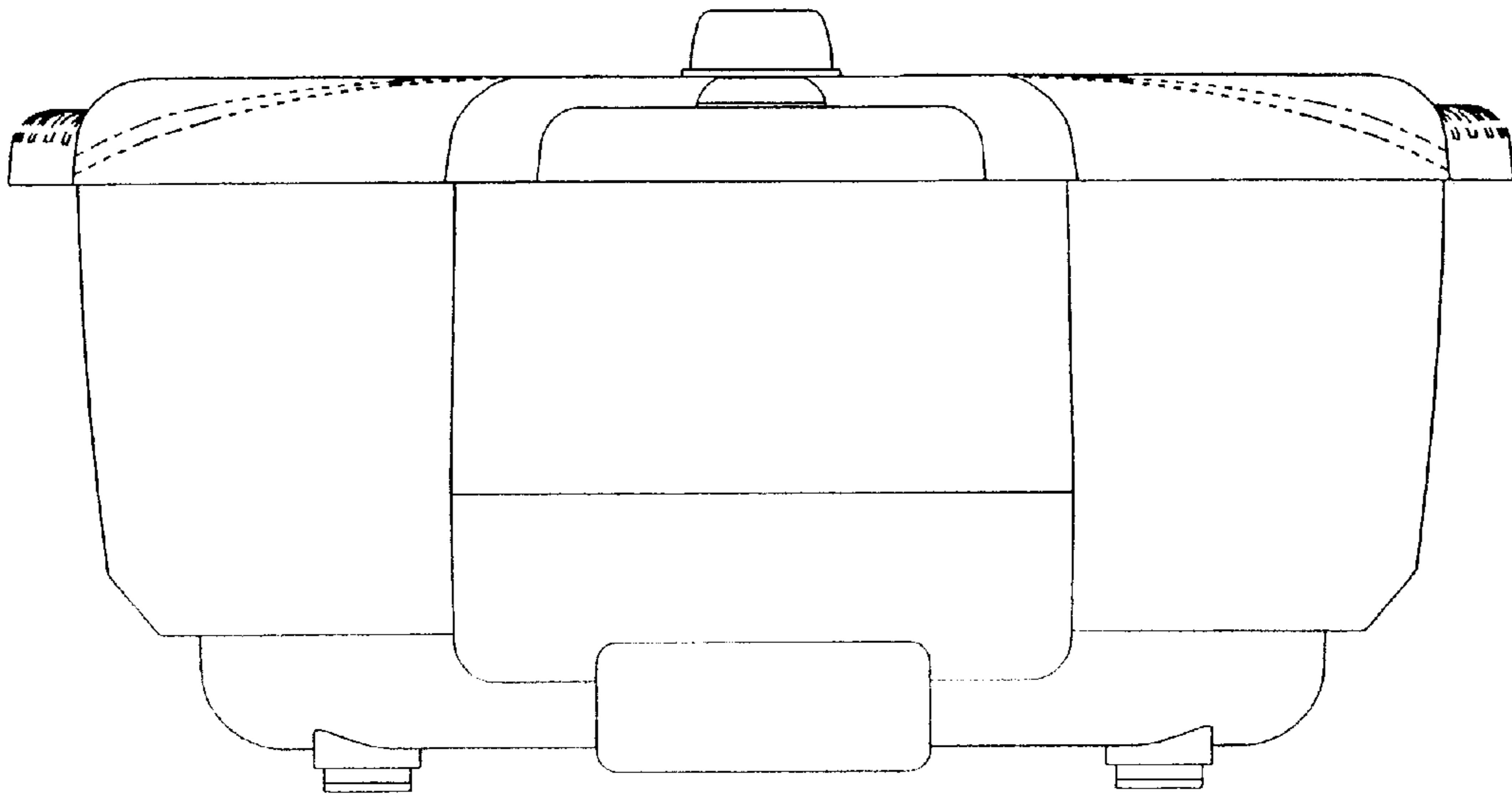


FIGURE 5

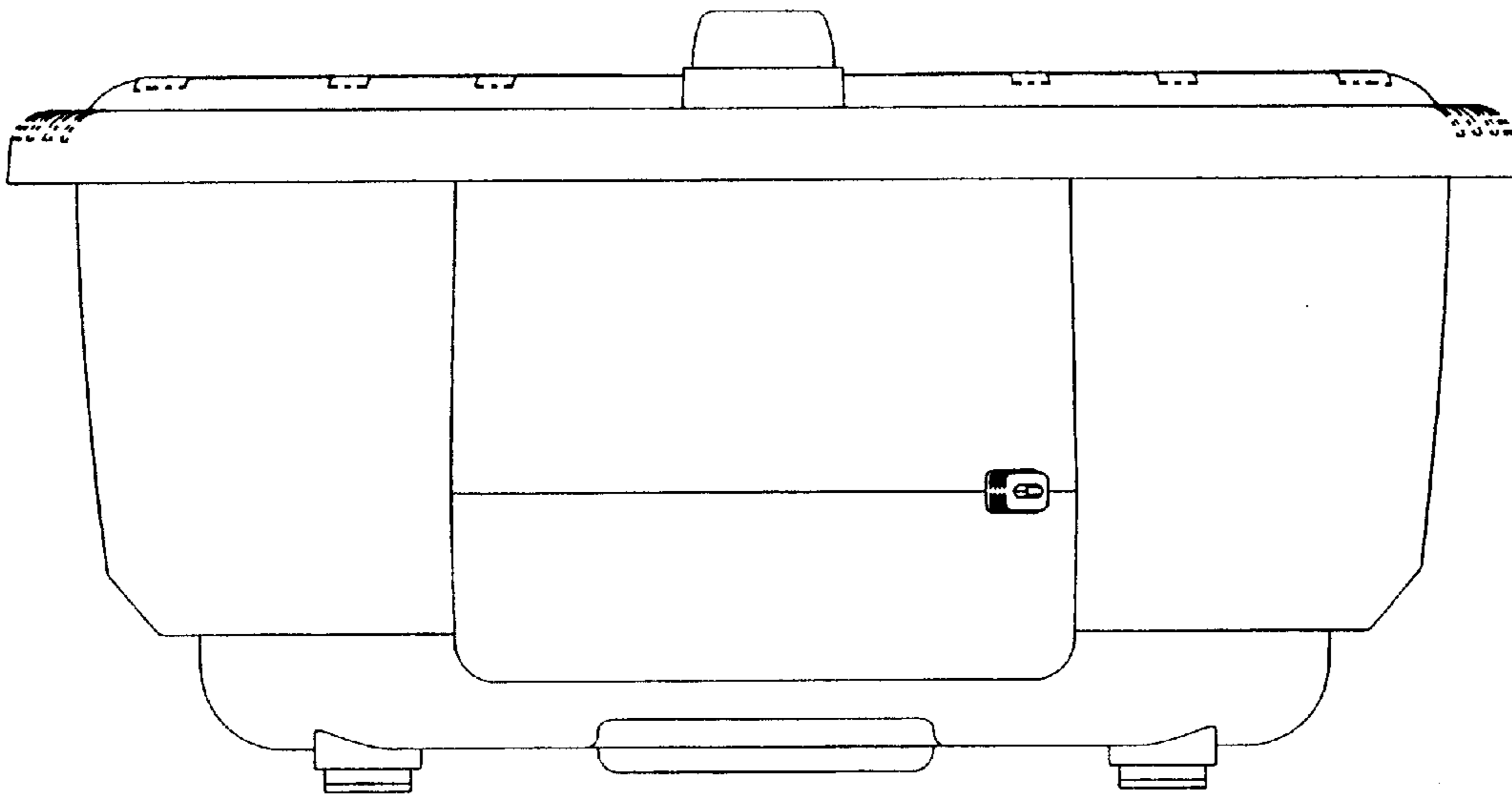


FIGURE 6