



US00D541420S

(12) **United States Design Patent** (10) **Patent No.:** **US D541,420 S**
Darbut et al. (45) **Date of Patent:** **** Apr. 24, 2007**

(54) **HEARING AID ASSEMBLY**

(75) Inventors: **Alexander L. Darbut**, Edina, MN (US); **Thomas Bruce Odegard**, Minneapolis, MN (US)

(73) Assignee: **SoundQuest, Inc.**, Edina, MN (US)

(**) Term: **14 Years**

(21) Appl. No.: **29/234,461**

(22) Filed: **Jul. 18, 2005**

(51) **LOC (8) Cl.** **24-99**

(52) **U.S. Cl.** **D24/174**

(58) **Field of Classification Search** D24/174, D24/173; 381/312, 23.1, 322-334, 380-382, 381/315; 181/129, 130, 134, 135, 137; 128/864-868
See application file for complete search history.

(56) **References Cited**

U.S. PATENT DOCUMENTS

4,073,366	A	*	2/1978	Estes	181/158
4,677,675	A	*	6/1987	Killion et al.	381/322
4,727,582	A	*	2/1988	de Vries et al.	381/330
5,753,870	A	*	5/1998	Schlaegel et al.	181/129
5,761,319	A	*	6/1998	Dar et al.	381/330
D411,885	S	*	7/1999	Mavrakis et al.	D24/174
5,975,235	A	*	11/1999	Schlaegel et al.	181/129
6,009,183	A	*	12/1999	Taenzer et al.	381/330
6,681,022	B1	*	1/2004	Puthuff et al.	381/338
D506,258	S	*	6/2005	Nielsen	D24/174

* cited by examiner

Primary Examiner—Louis S. Zarfes

Assistant Examiner—Anhdao Doan

(74) *Attorney, Agent, or Firm*—Thomas J. Oppold, Esq.; Larkin Hoffman Daly & Lindgren Ltd.

(57) **CLAIM**

The ornamental design for a hearing aid assembly, as shown and described.

DESCRIPTION

FIG. 1 is a perspective view of the hearing aid assembly according to the present invention, showing the top, back and left side of the hearing aid assembly in a first position. An unclaimed alternative bell-shaped tip portion for the earpiece is shown in broken lines.

FIG. 2 is a left side elevation view of the hearing aid assembly of FIG. 1.

FIG. 3 is a right side elevation view of the hearing aid assembly of FIG. 1.

FIG. 4 is a back side elevation view of the hearing aid assembly of FIG. 1.

FIG. 5 is a front side elevation view of the hearing aid assembly of FIG. 1.

FIG. 6 is a top plan view of the hearing aid assembly of FIG. 1.

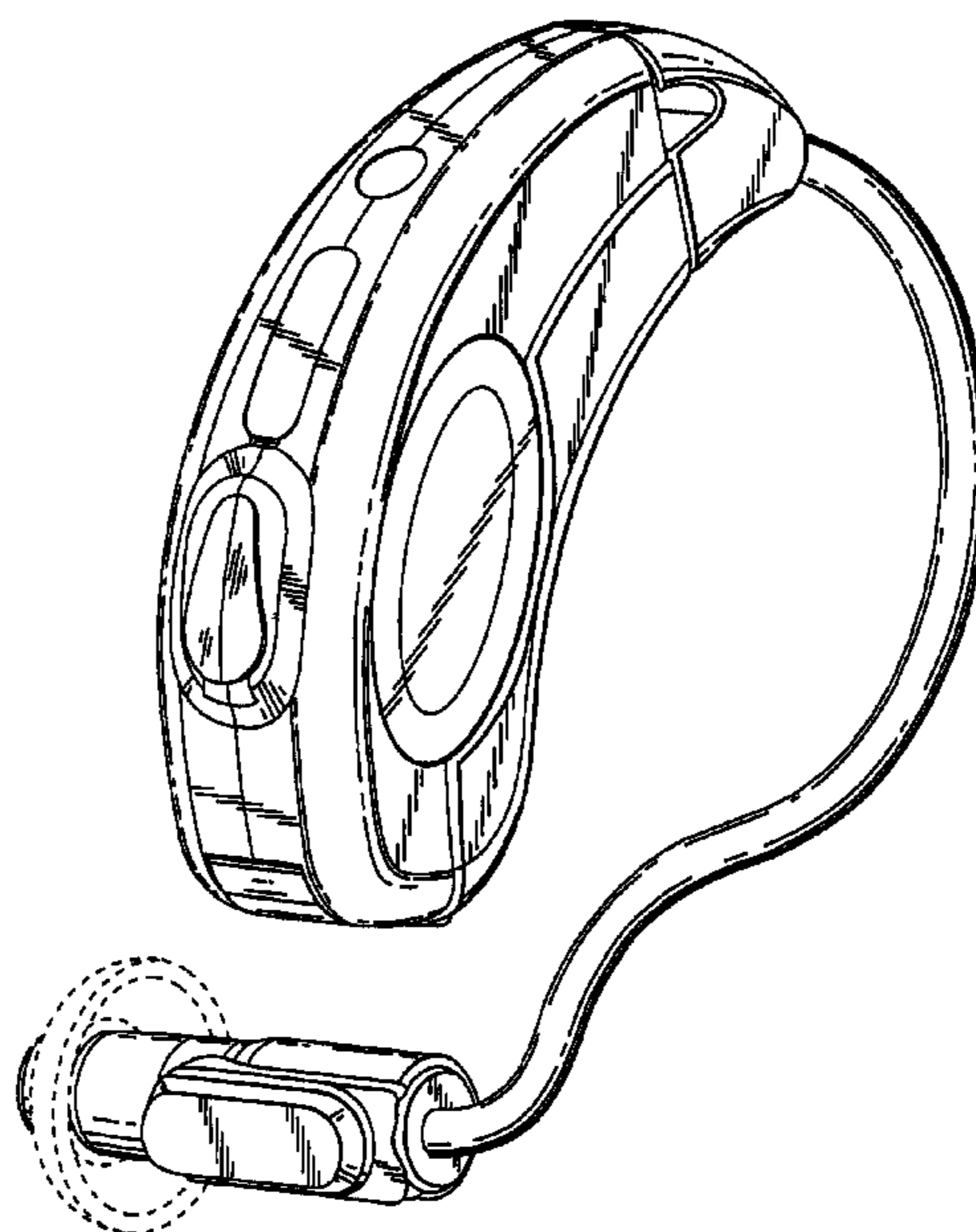
FIG. 7 is a bottom plan view of the hearing aid assembly of FIG. 1.

FIG. 8 is a perspective view of the hearing aid assembly of FIG. 1, in a second position, showing the front and right side; and,

FIG. 9 is a perspective view of the hearing aid assembly of FIG. 1, in the same orientation as in FIG. 1, but with the unclaimed alternative bell-shaped tip portion (shown in broken lines in FIG. 1) removed.

The broken line showing of the bell-shape tip portion is for illustrative purposes only and forms no part of the claimed design.

1 Claim, 7 Drawing Sheets



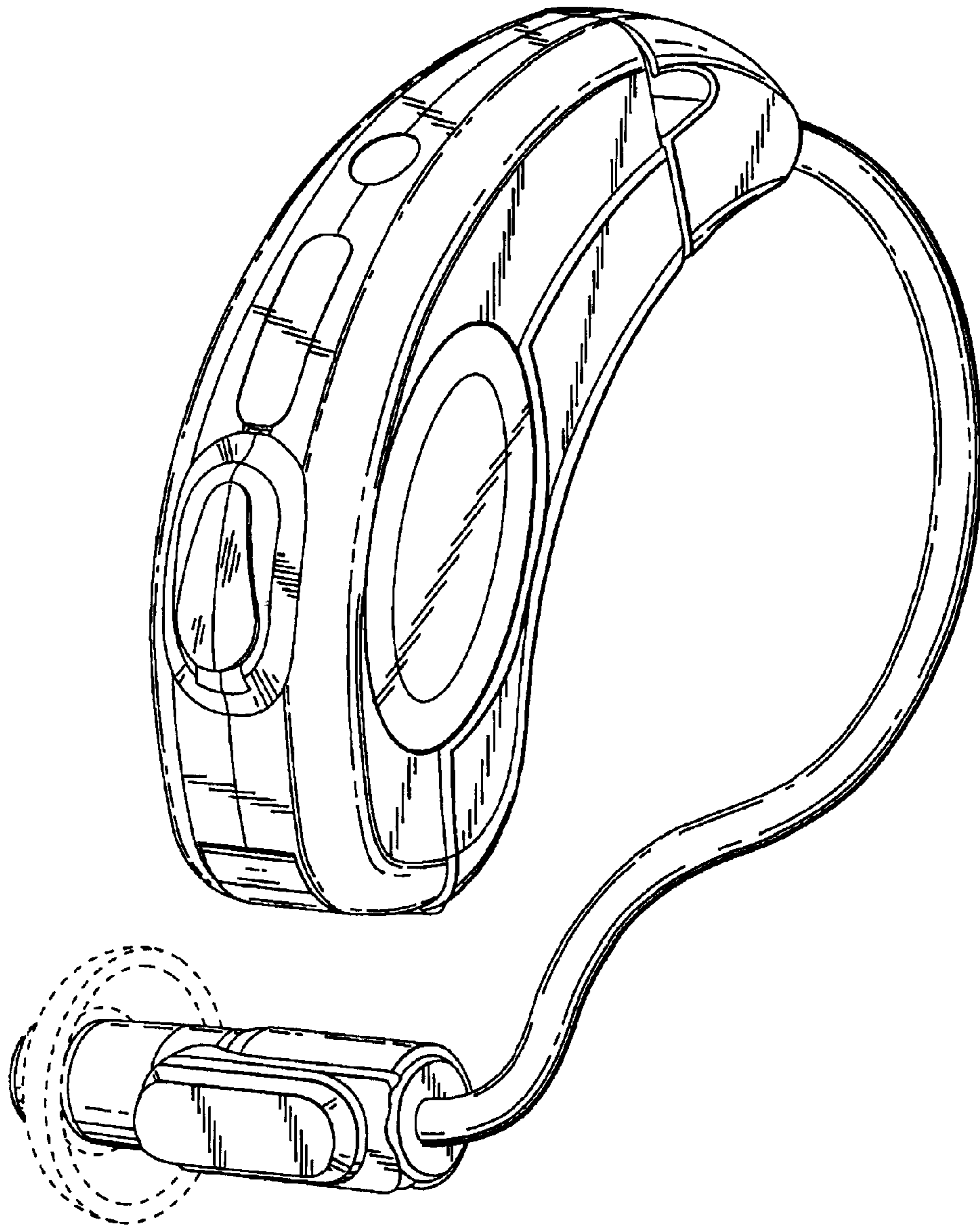


Fig. 1

Fig. 2

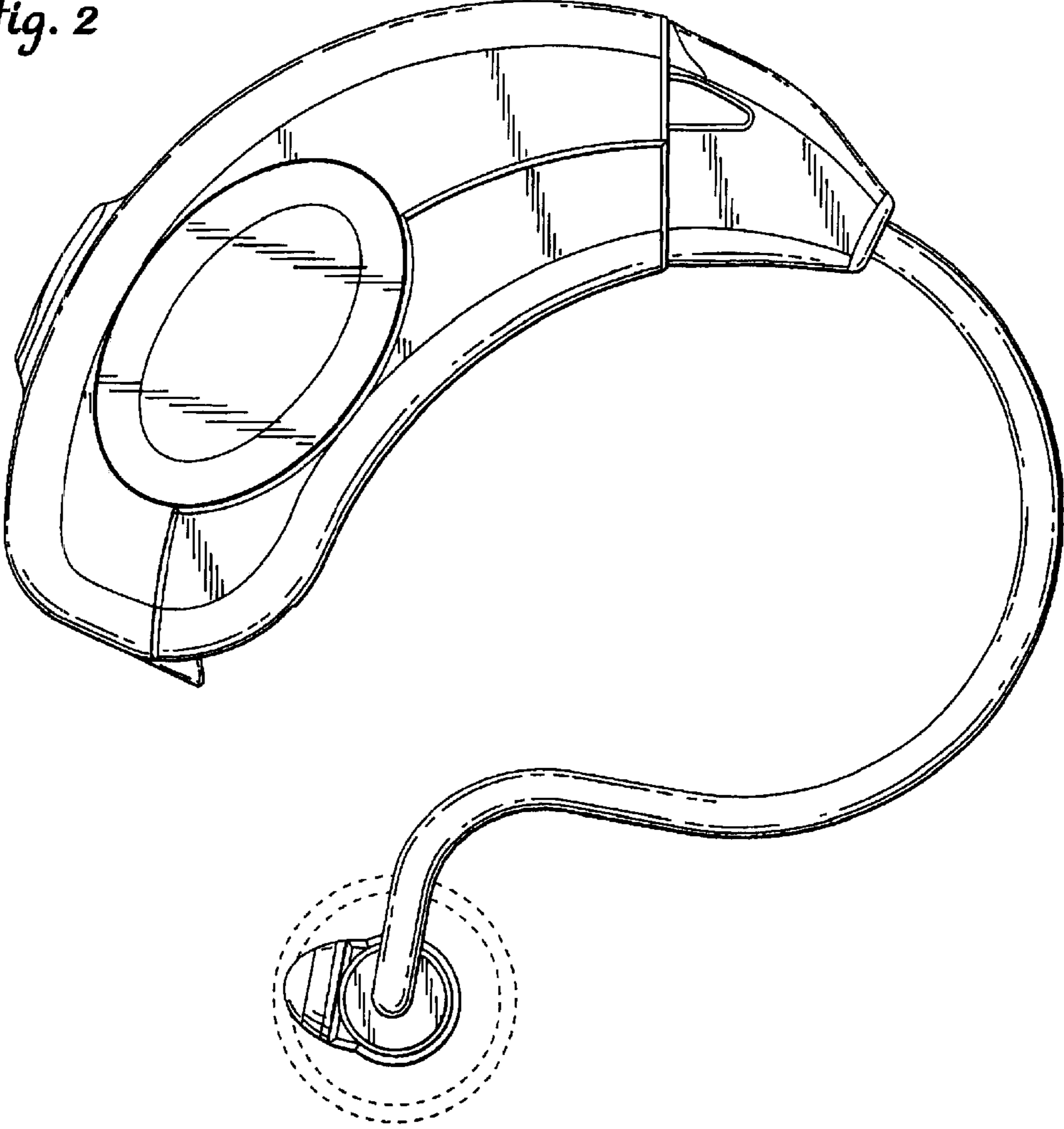


Fig. 3

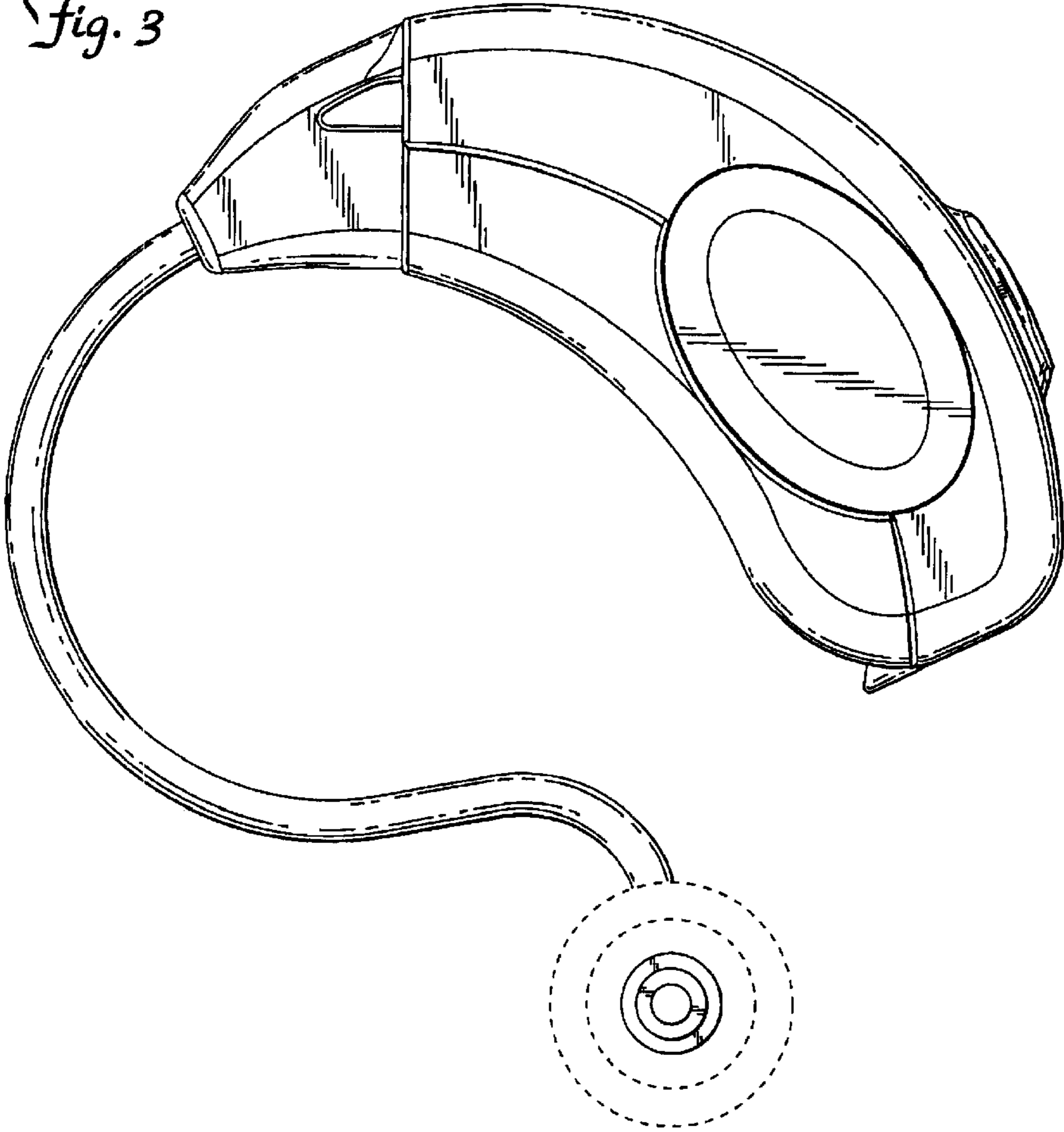


Fig. 5

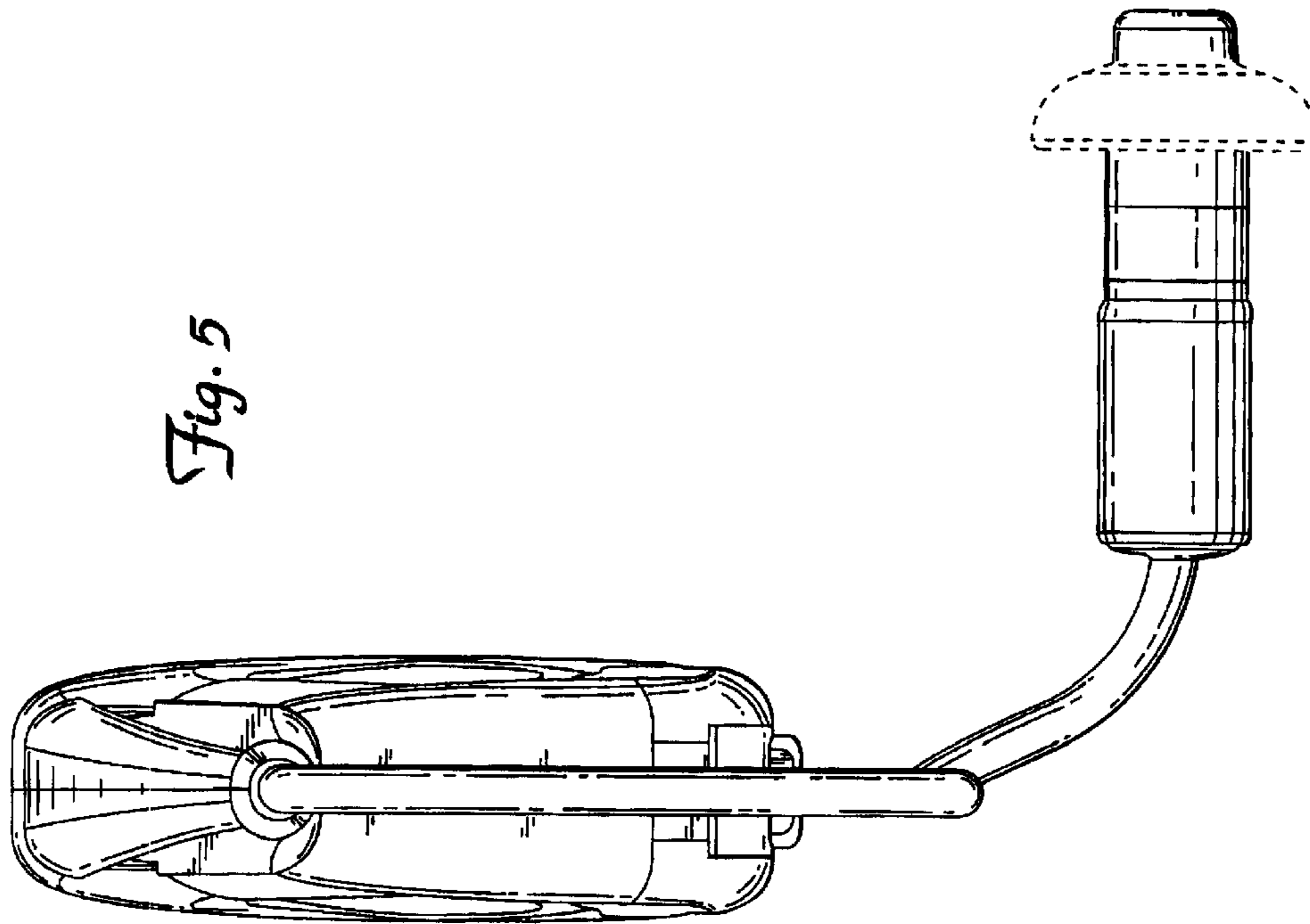


Fig. 4

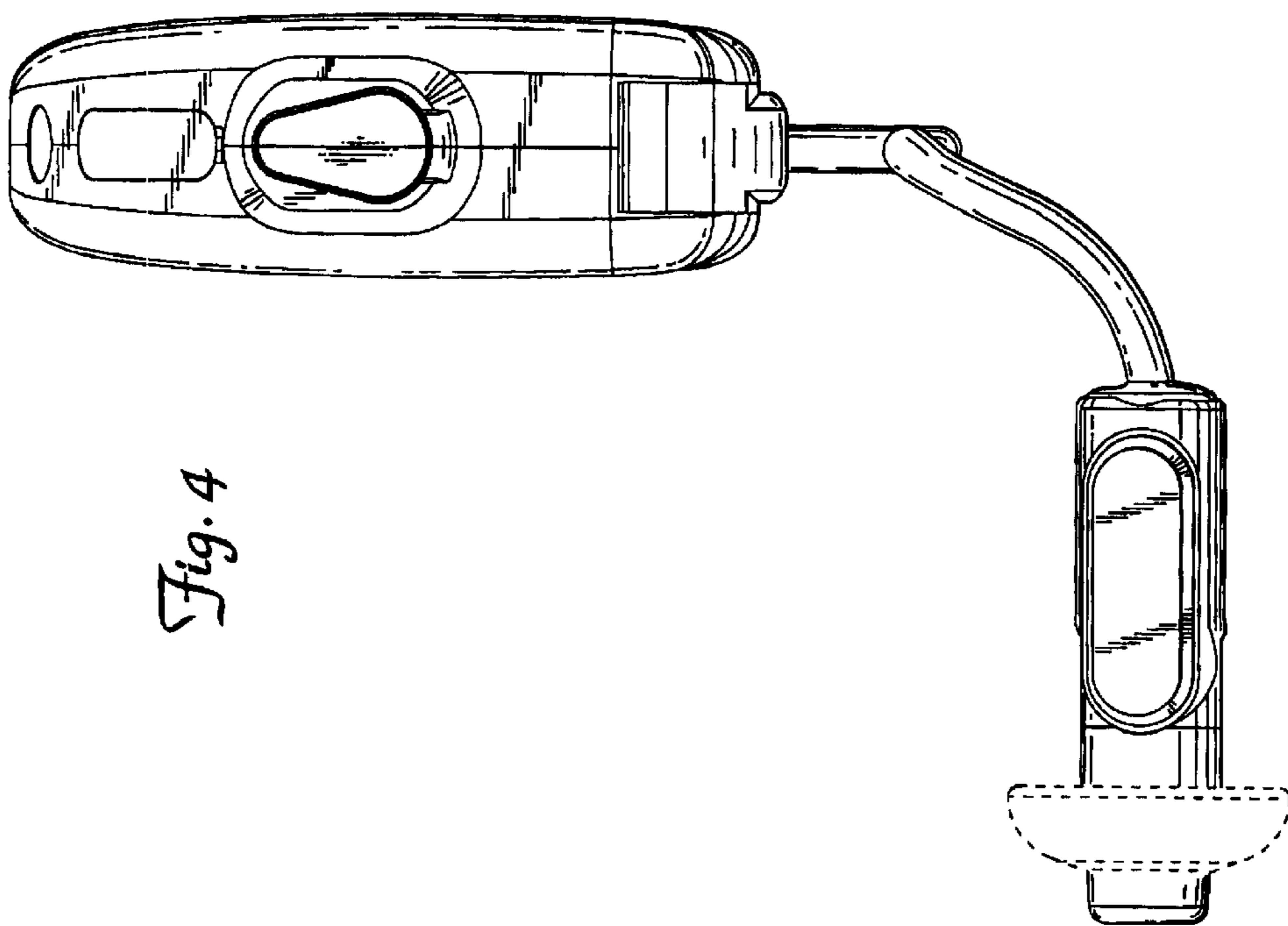


Fig. 6

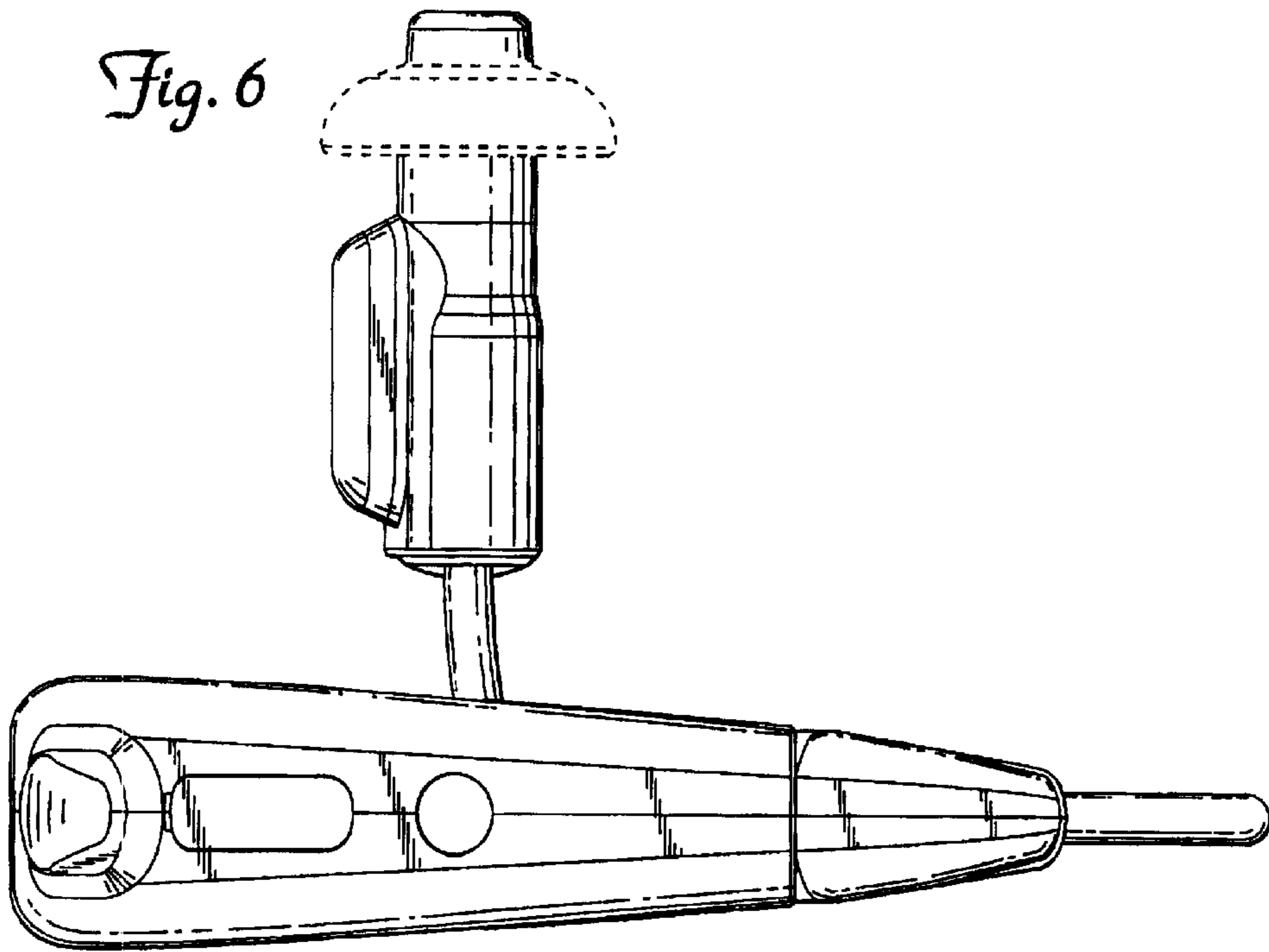


Fig. 7

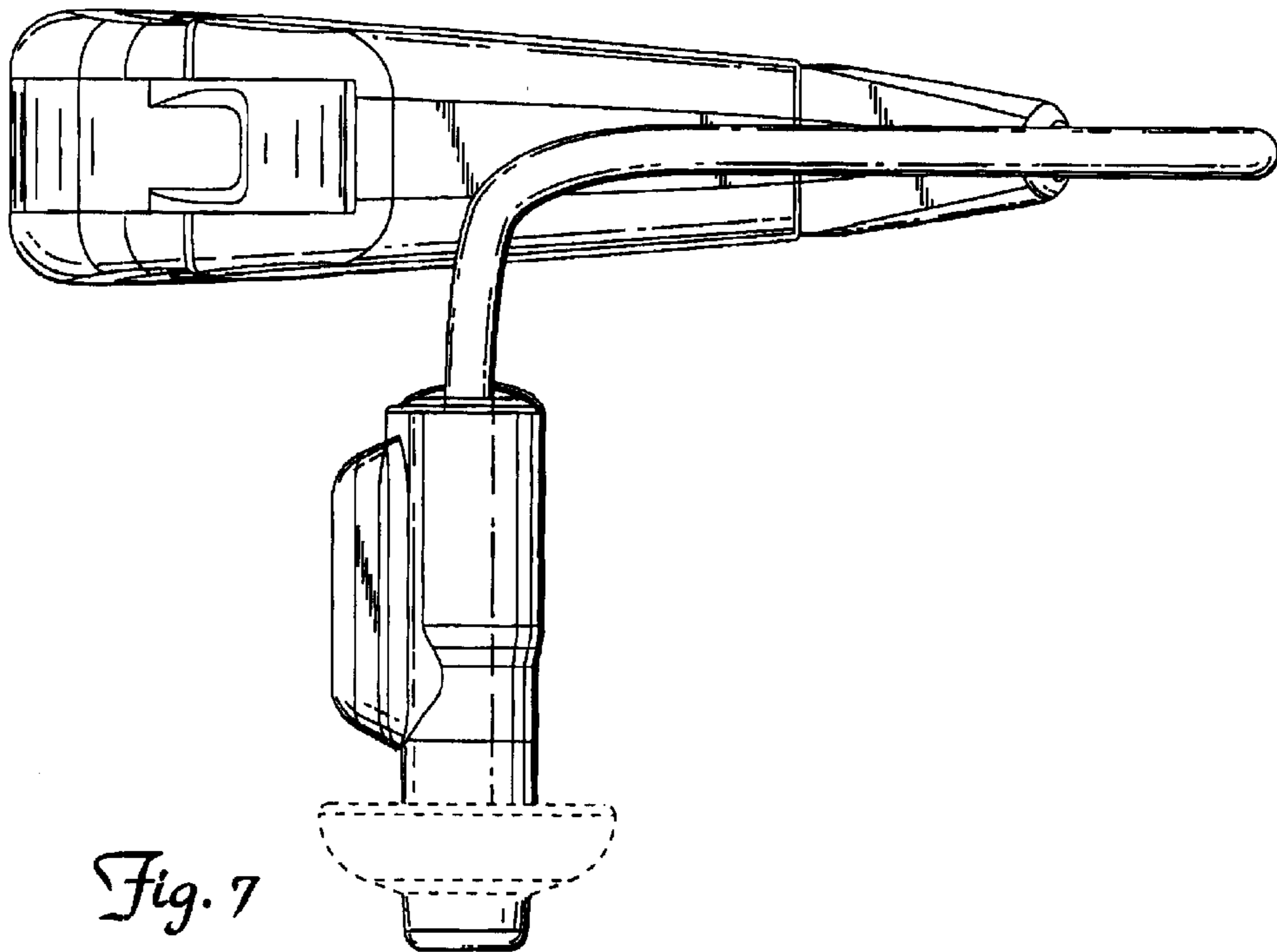


Fig. 8

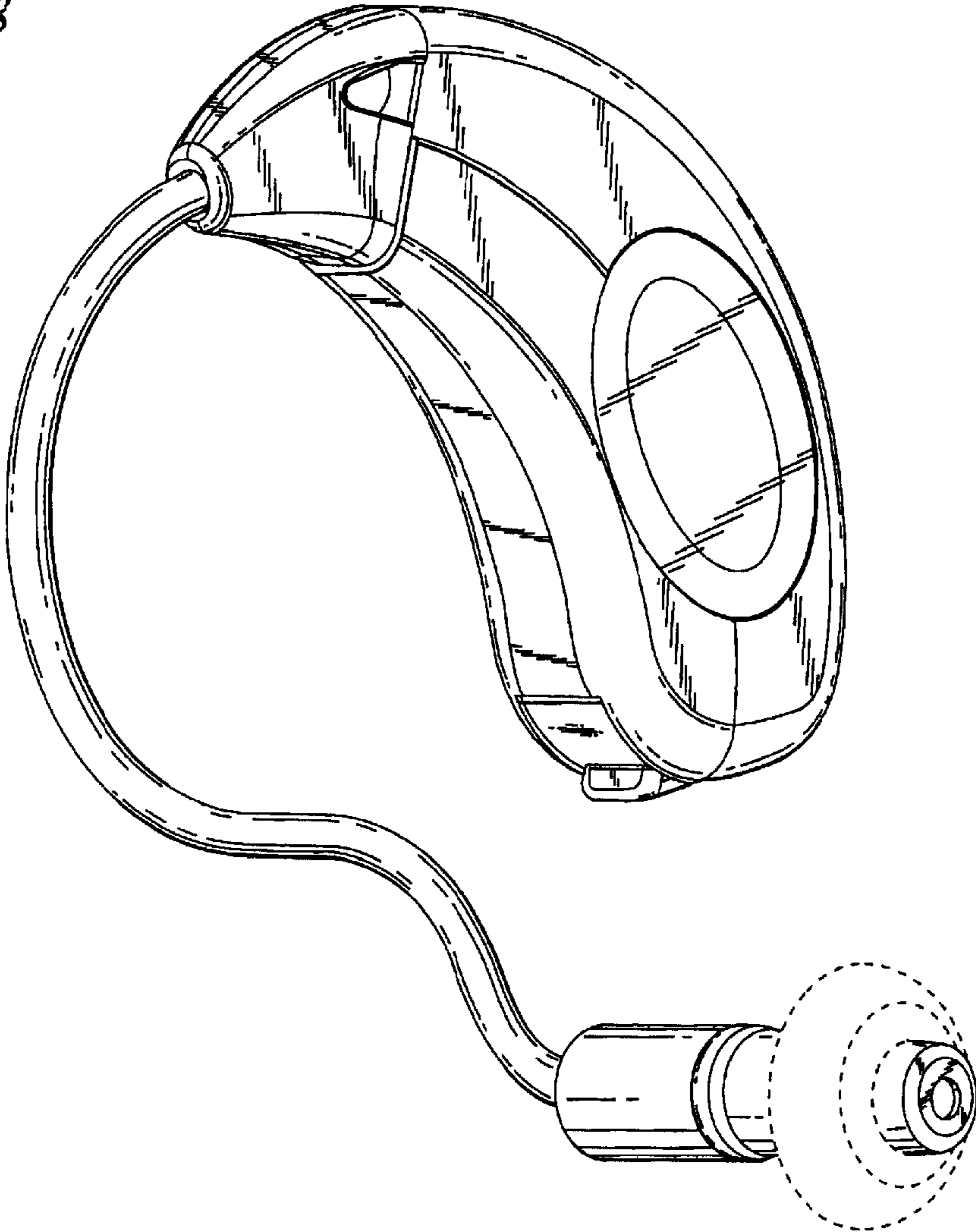


Fig. 9

