



US00D541419S

(12) **United States Design Patent**  
**Jones, Jr.**

(10) **Patent No.:** **US D541,419 S**  
(45) **Date of Patent:** **\*\* Apr. 24, 2007**

(54) **HAND-HELD SPIROMETRY DEVICE**

(75) Inventor: **William C. Jones, Jr.**, Chicago, IL  
(US)  
(73) Assignee: **Jones Medical Instrument Company**,  
Oak Brook, IL (US)  
(\*\*) Term: **14 Years**

(21) Appl. No.: **29/223,514**  
(22) Filed: **Feb. 15, 2005**

(51) **LOC (8) Cl.** ..... **24-01**  
(52) **U.S. Cl.** ..... **D24/164**  
(58) **Field of Classification Search** ..... D24/112–114,  
D24/186, 164; D19/45, 51; 600/533, 537,  
600/538; 128/204.12, 204.18, 204.21, 204.22,  
128/204.23

See application file for complete search history.

(56) **References Cited**

U.S. PATENT DOCUMENTS

D297,566	S	*	9/1988	Blatherwick et al.	.....	D24/113
D311,774	S		10/1990	Lax		
D321,227	S	*	10/1991	Norell	.....	D21/662
D330,079	S		10/1992	Dalling et al.		
D339,419	S		9/1993	Hood et al.		
D339,635	S	*	9/1993	Waterson et al.	.....	D24/164
D343,897	S		2/1994	Rand et al.		
D345,794	S		4/1994	Hood et al.		
5,749,368	A	*	5/1998	Kase	.....	600/533
D399,314	S		10/1998	Wells et al.		
D407,487	S		3/1999	Greubel et al.		
D411,010	S		6/1999	Harbrecht et al.		
6,004,277	A	*	12/1999	Maharaj et al.	.....	600/538
D423,101	S	*	4/2000	Durst et al.	.....	D24/164
D425,803	S		5/2000	Luebke et al.		
D426,299	S		6/2000	Bydlon et al.		
D427,239	S		6/2000	Senda		
D444,502	S	*	7/2001	Luntz	.....	D19/84
D448,407	S	*	9/2001	Huang	.....	D19/43
D454,588	S		3/2002	Takanashi		

(Continued)

OTHER PUBLICATIONS

NexxTech™ 4-Function Clock Pen, understood to be on sale before Jan. 2004.

*Primary Examiner*—Louis S. Zarfes  
*Assistant Examiner*—Anhdao Doan  
(74) *Attorney, Agent, or Firm*—Marshall, Gerstein & Borun LLP

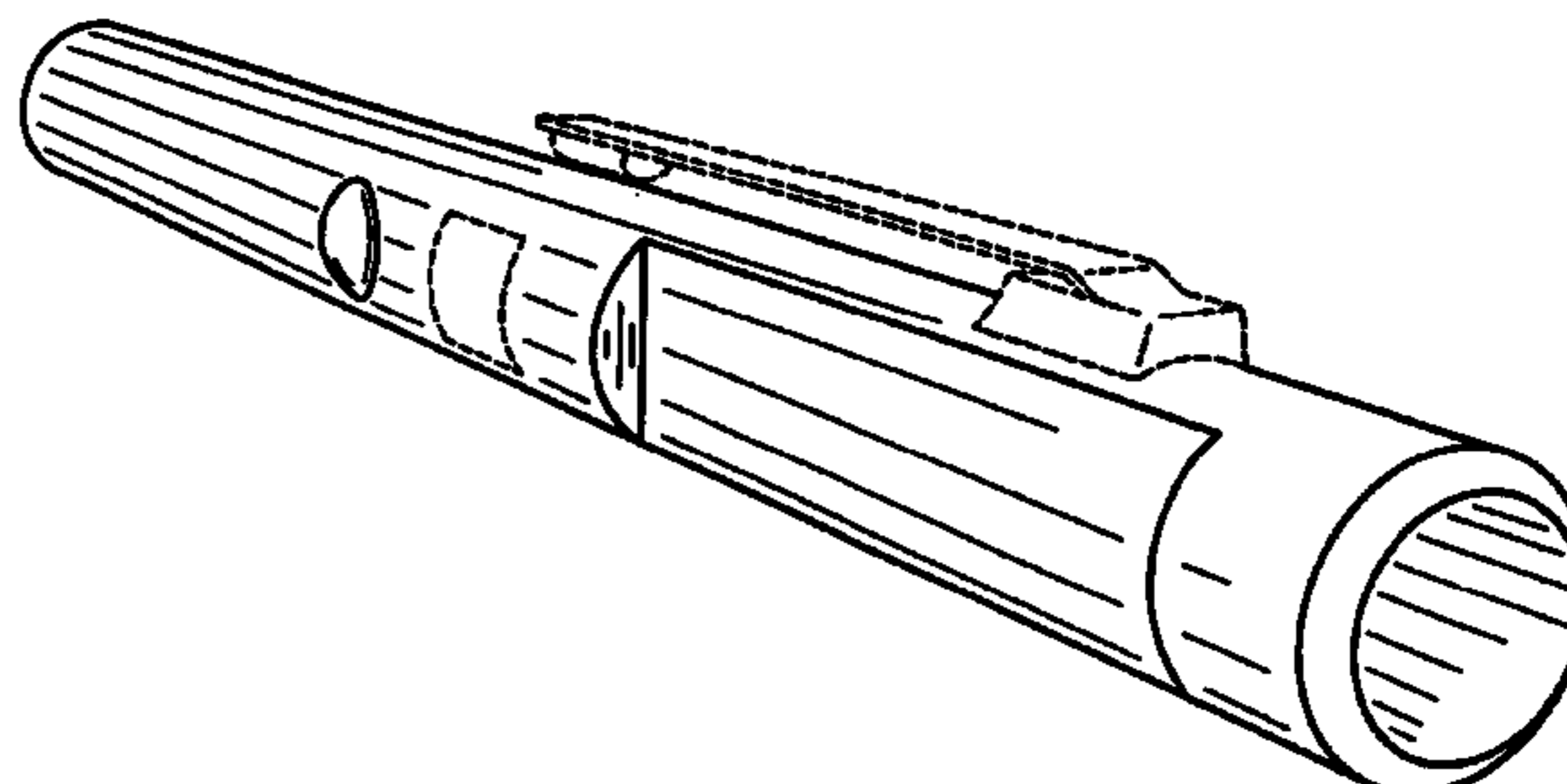
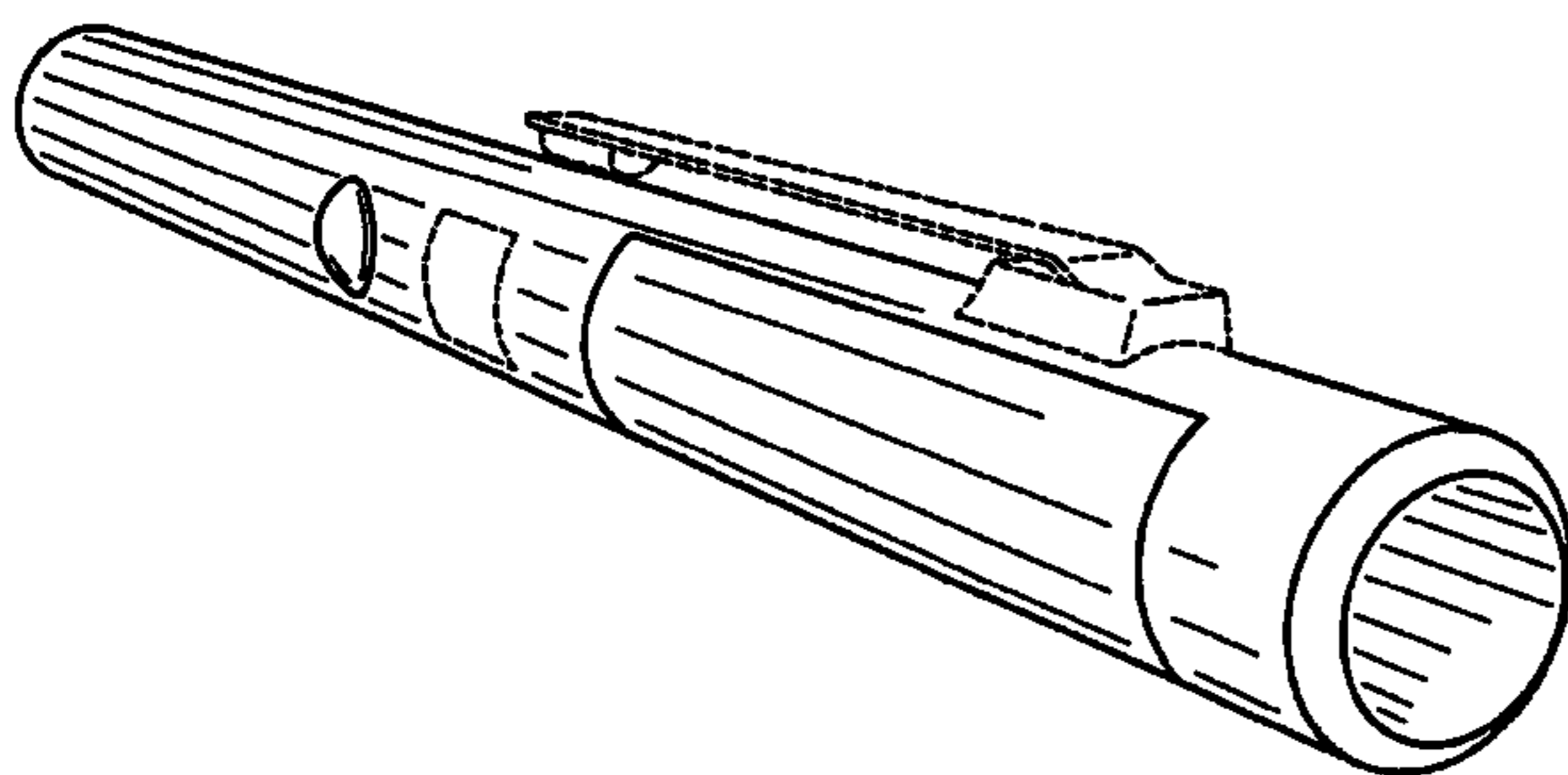
(57) **CLAIM**

The ornamental design for a hand-held spirometry device, as shown and described.

**DESCRIPTION**

FIG. 1 is a perspective view showing my new design; FIG. 2 is a front view of the hand-held spirometry device of FIG. 1; FIG. 3 is a bottom view of the hand-held spirometry device of FIG. 1; FIG. 4 is a rear view of the hand-held spirometry device of FIG. 1; FIG. 5 is a top view of the hand-held spirometry device of FIG. 1; FIG. 6 is a right side view of the hand-held spirometry device of FIG. 1; FIG. 7 is a left side view of the hand-held spirometry device of FIG. 1; FIG. 8 is a perspective view showing a second embodiment of my new design; FIG. 9 is a front view of the hand-held spirometry device of FIG. 8; FIG. 10 is a bottom view of the hand-held spirometry device of FIG. 8; FIG. 11 is a rear view of the hand-held spirometry device of FIG. 8; FIG. 12 is a top view of the hand-held spirometry device of FIG. 8; FIG. 13 is a right side view of the hand-held spirometry device of FIG. 8; and, FIG. 14 is a left side view of the hand-held spirometry device of FIG. 8. The dashed lines are for illustrative purposes only and form no part of the claimed design.

**1 Claim, 4 Drawing Sheets**



# US D541,419 S

Page 2

---

## U.S. PATENT DOCUMENTS

6,435,183	B1 *	8/2002	Farman .....	128/204.25	D485,577	S	1/2004	Lord et al.	
D462,760	S	9/2002	Ahlgrim et al.		D489,818	S	5/2004	Hawley et al.	
6,450,969	B1 *	9/2002	Farr et al. ....	600/538	D490,150	S	5/2004	Hawley et al.	
D479,599	S	9/2003	Bainton		D490,151	S	5/2004	Hawley et al.	
D479,600	S	9/2003	Bainton		D490,520	S	5/2004	Hawley et al.	
D479,601	S	9/2003	Tyce		D491,263	S	6/2004	Hawley et al.	
D479,602	S	9/2003	Bainton		D492,027	S	6/2004	Tyce et al.	
D479,603	S	9/2003	Tyce		D492,405	S	6/2004	Bainton	
D479,747	S	9/2003	Bainton		D493,524	S	7/2004	Hawley et al.	
D479,748	S	9/2003	Tyce		D497,642	S *	10/2004	Lovell .....	D19/51
D480,620	S	10/2003	Tu		D499,485	S	12/2004	Tyce	
D481,120	S	10/2003	Hawley et al.						

\* cited by examiner

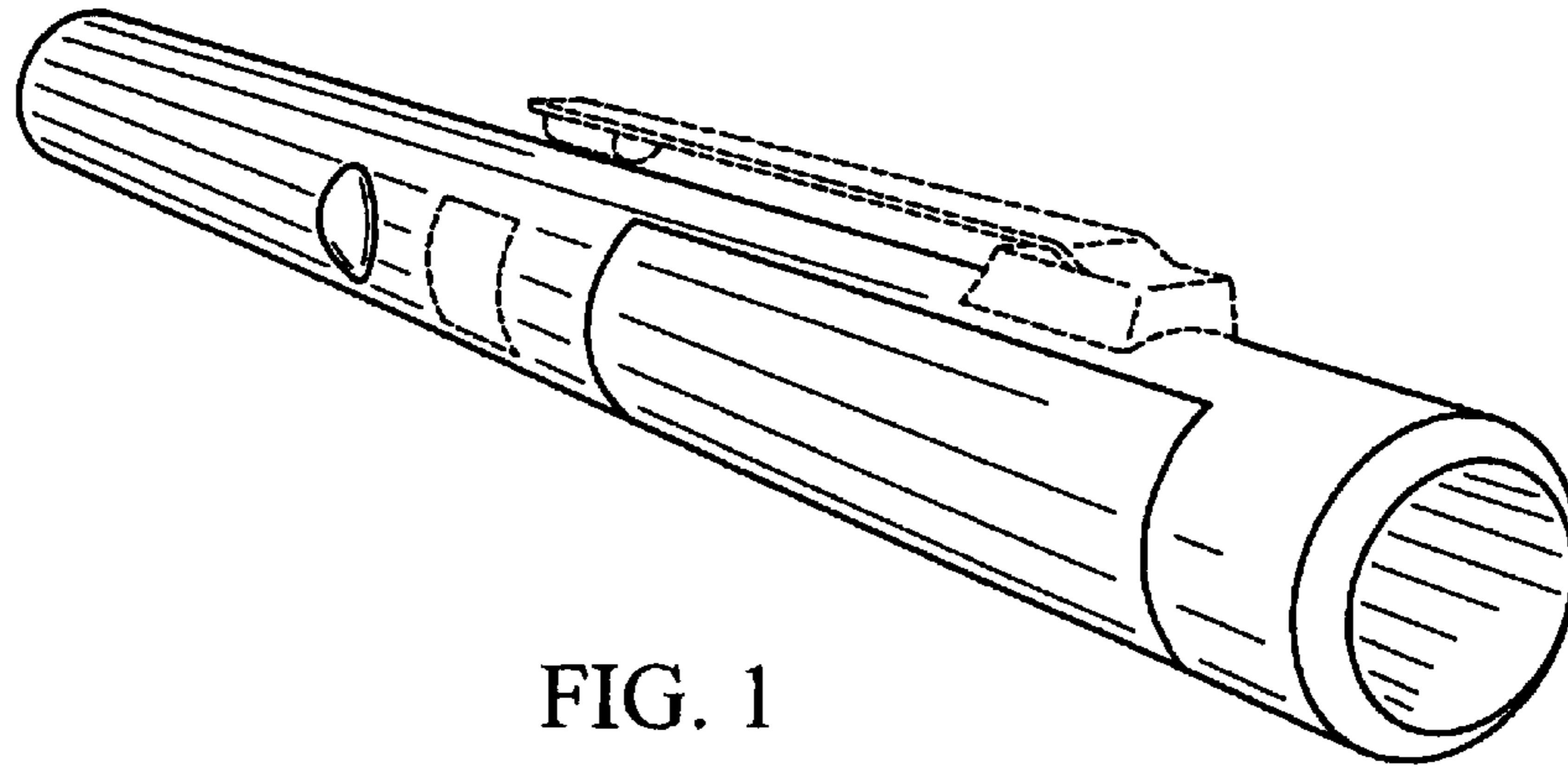


FIG. 1

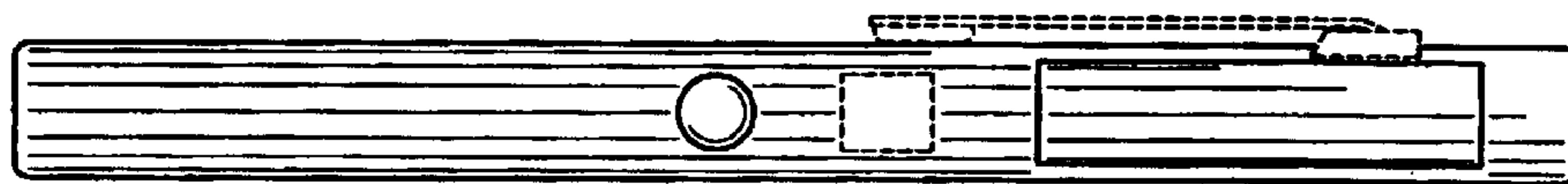


FIG. 2

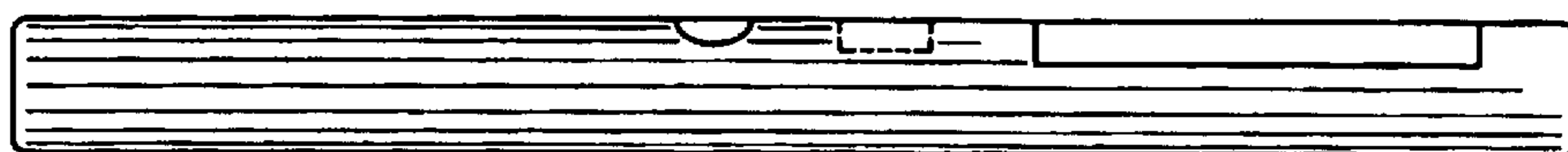


FIG. 3

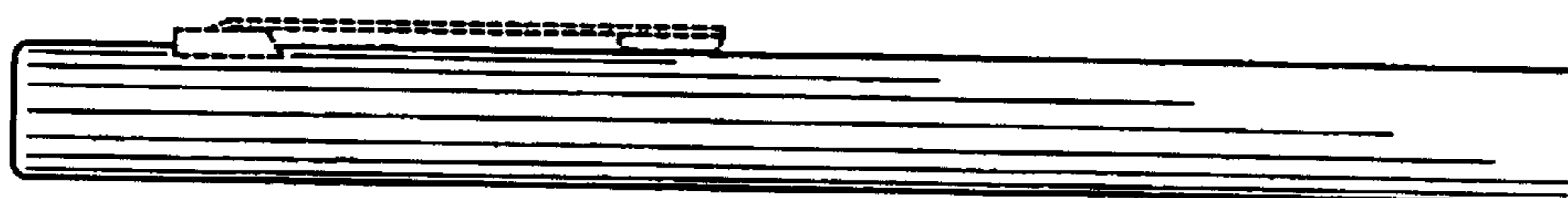


FIG. 4

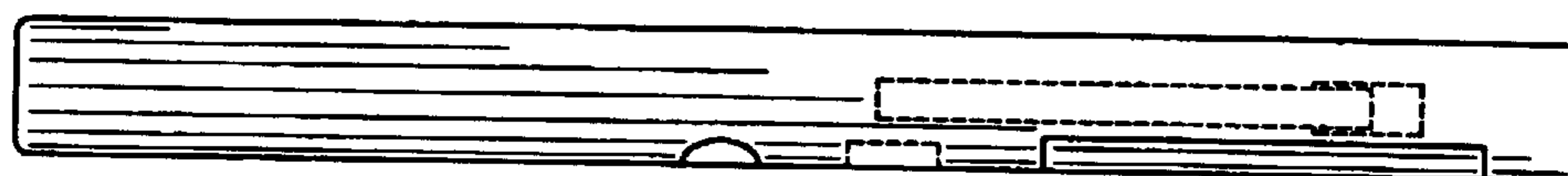


FIG. 5



FIG. 6



FIG. 7

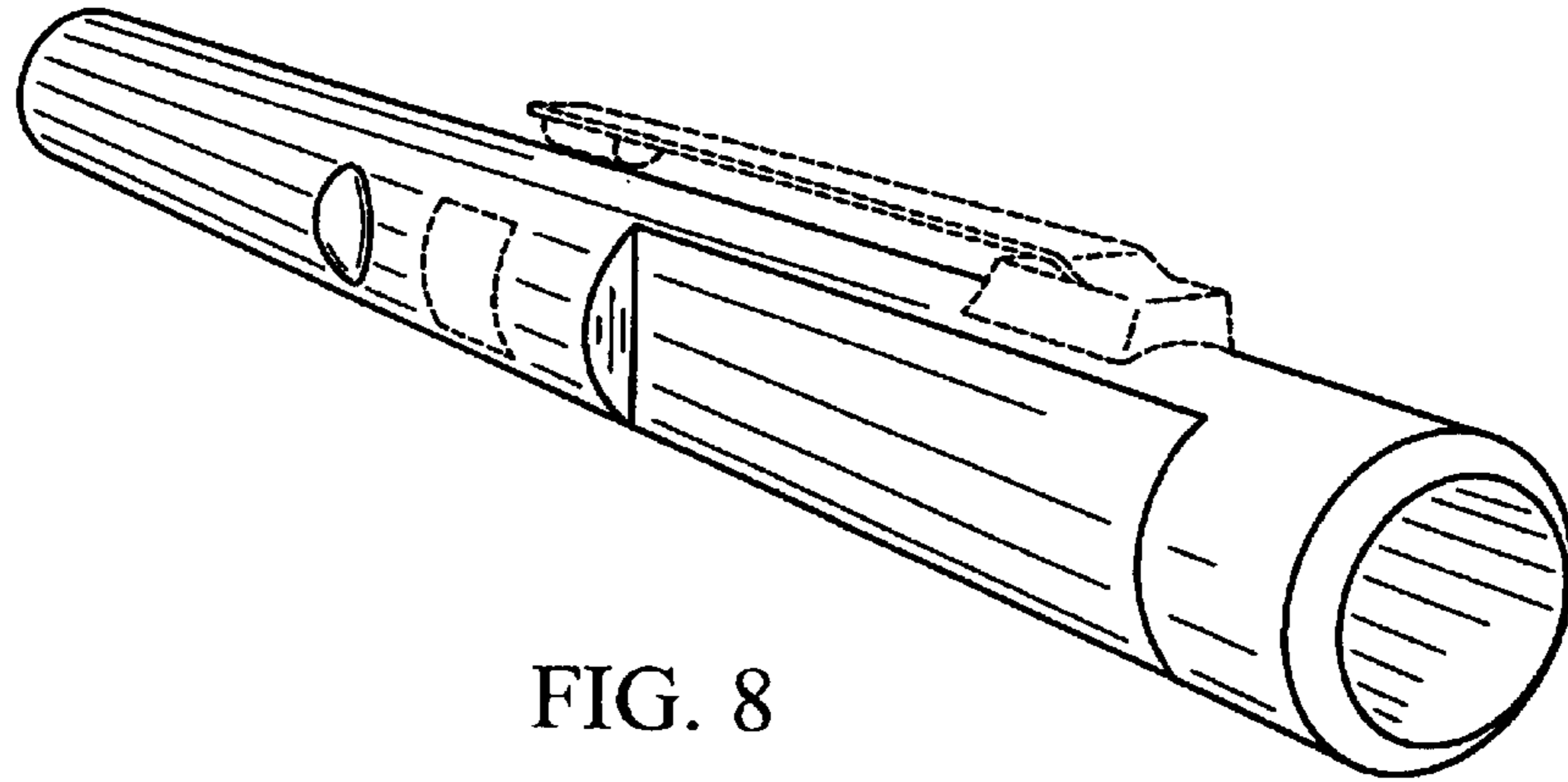


FIG. 8

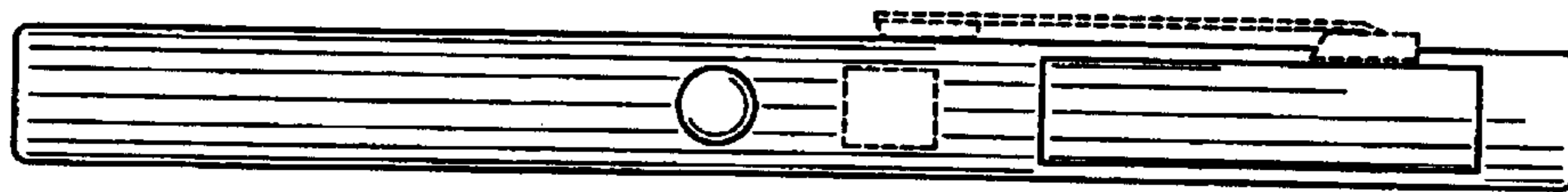


FIG. 9

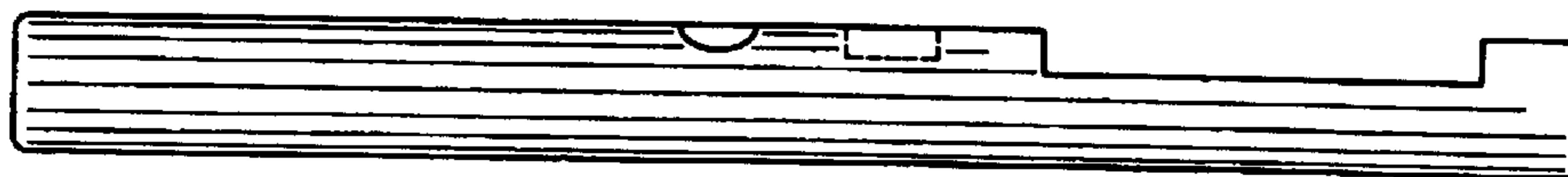


FIG. 10

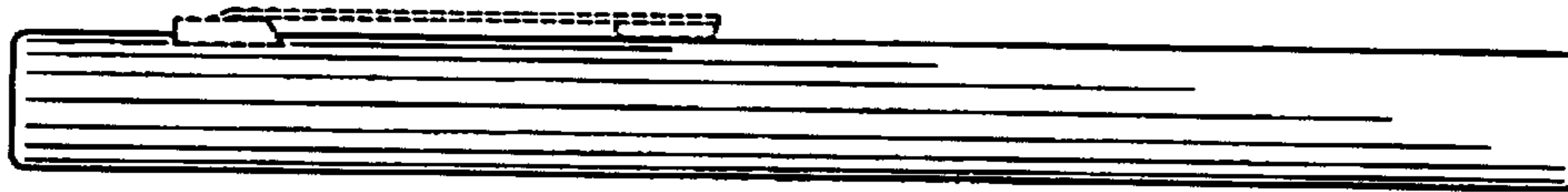


FIG. 11

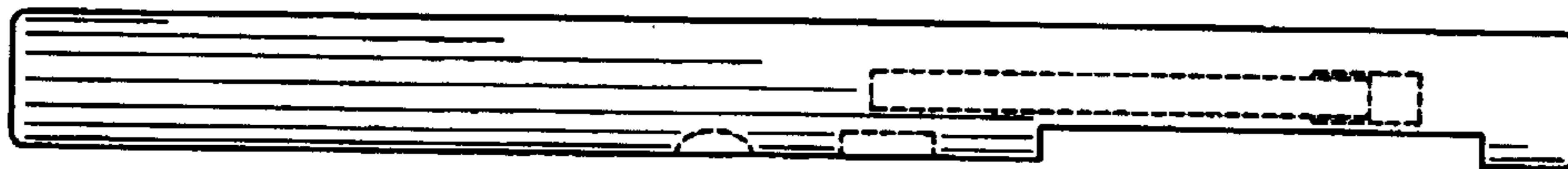


FIG. 12



FIG. 13



FIG. 14