



US00D541417S

(12) **United States Design Patent**
Albrecht et al.

(10) **Patent No.:** **US D541,417 S**

(45) **Date of Patent:** **** Apr. 24, 2007**

(54) **TROCAR**

D364,924 S * 12/1995 Medema D24/146
5,980,544 A * 11/1999 Vaitekunas 606/169
6,685,665 B2 * 2/2004 Booth et al. 604/26

(75) Inventors: **Thomas E. Albrecht**, Cincinnati, OH
(US); **Thomas A. Gilker**, Cincinnati,
OH (US)

* cited by examiner

(73) Assignee: **Ethicon Endo-Surgery, Inc.**,
Cincinnati, OH (US)

Primary Examiner—Ian Simmons

Assistant Examiner—Wan Laymon

(74) *Attorney, Agent, or Firm*—Welsh & Flaxman LLC

(**) Term: **14 Years**

(57) **CLAIM**

(21) Appl. No.: **29/222,994**

The ornamental design for a trocar, as shown and described.

(22) Filed: **Feb. 8, 2005**

DESCRIPTION

(51) **LOC (8) Cl.** **24-02**

FIG. 1 is a perspective view of a trocar showing our new design.

(52) **U.S. Cl.** **D24/146; D24/147**

FIG. 2 is an exploded perspective view thereof.

(58) **Field of Classification Search** D24/146,

FIG. 3 is a front view thereof.

D24/147, 133; 604/164, 167.07, 167.04,

FIG. 4 is a side view thereof.

604/158, 167, 169; 600/566, 567, 568; 606/167,

FIG. 5 is a side view thereof opposite to that shown in FIG.

606/170

4.

See application file for complete search history.

FIG. 6 is a back view thereof.

FIG. 7 is a top view thereof; and,

FIG. 8 is a bottom view thereof.

(56) **References Cited**

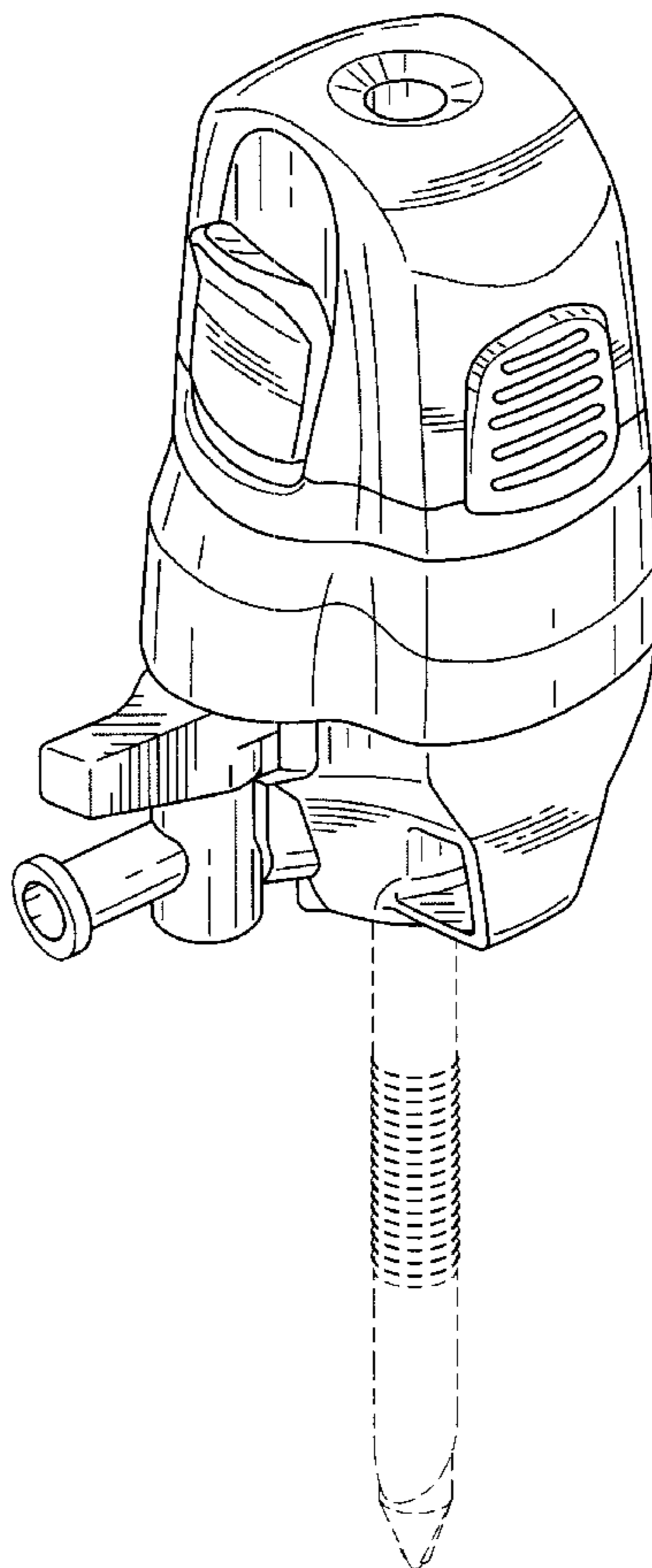
The broken line showing is for illustrative purposes only and forms no part of the claimed design.

U.S. PATENT DOCUMENTS

D349,574 S * 8/1994 Metcalf et al. D24/146

D362,066 S * 9/1995 Petruschke et al. D24/146

1 Claim, 5 Drawing Sheets



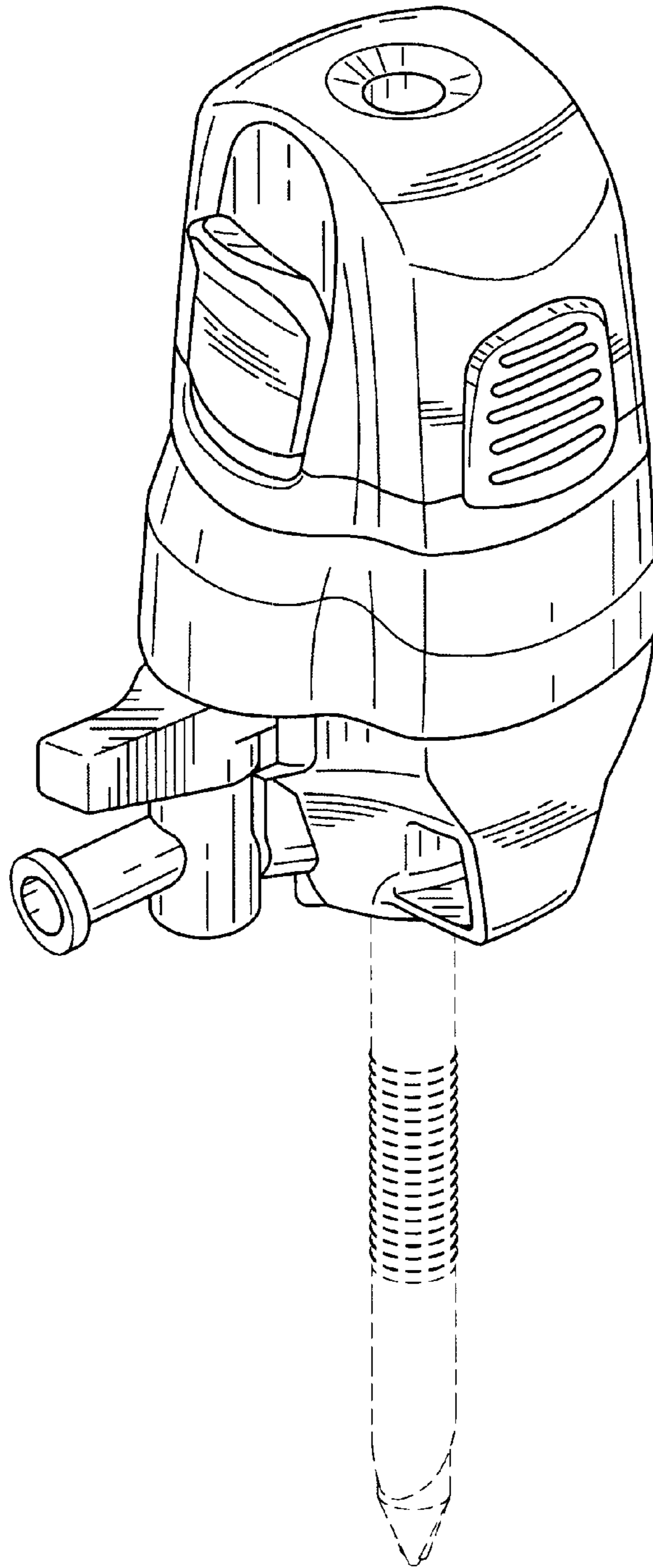


FIG. 1

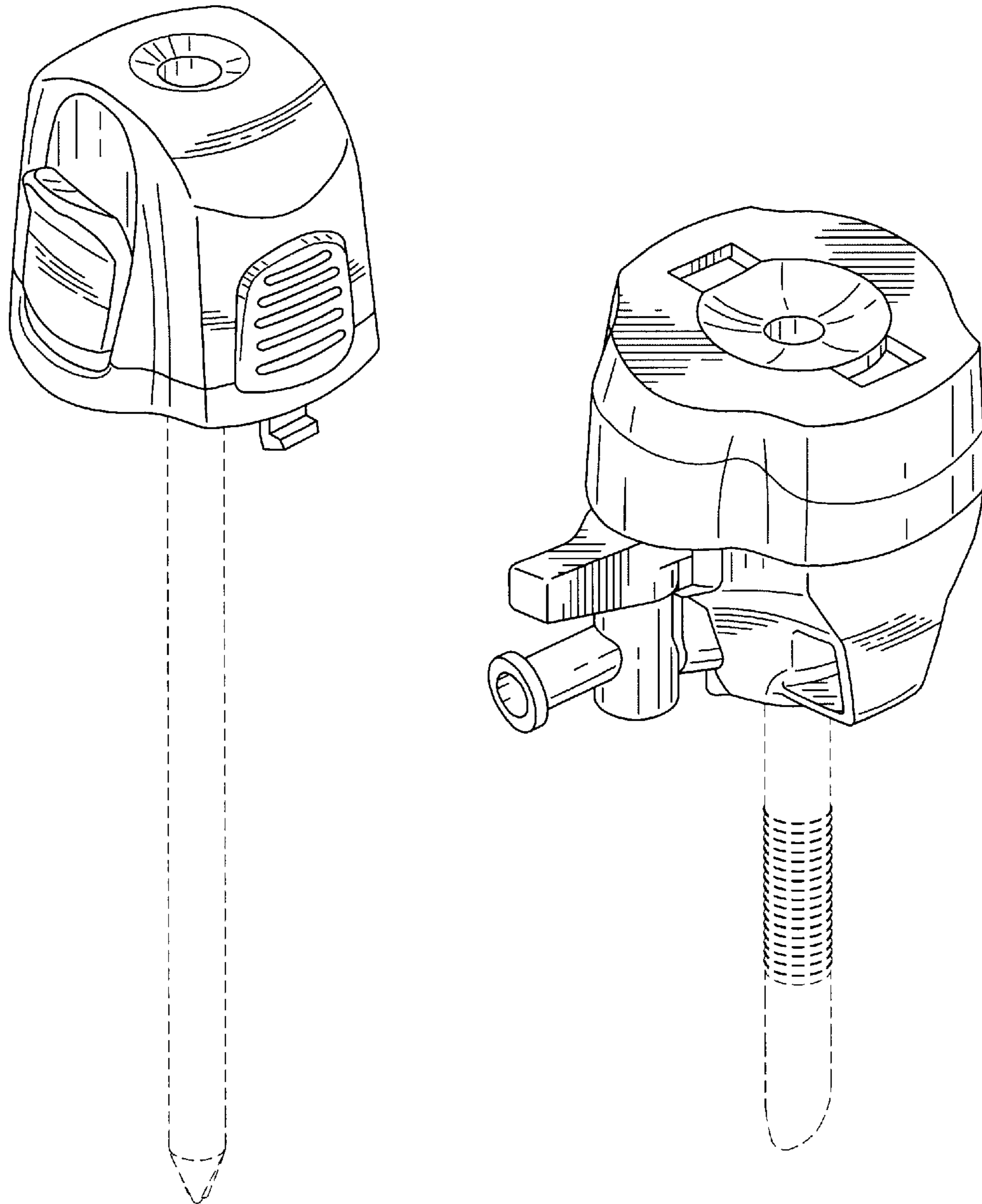


FIG. 2

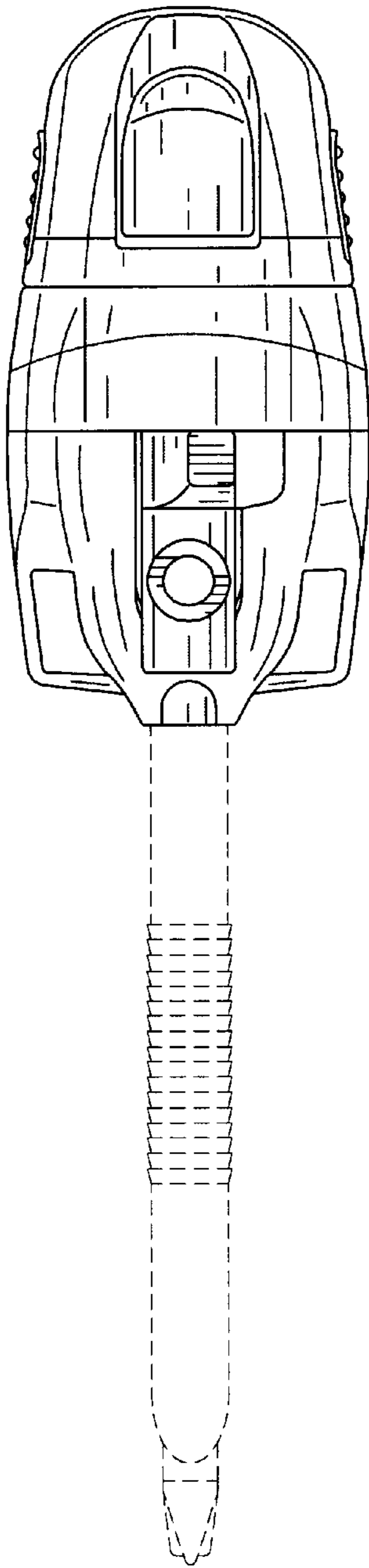


FIG. 3

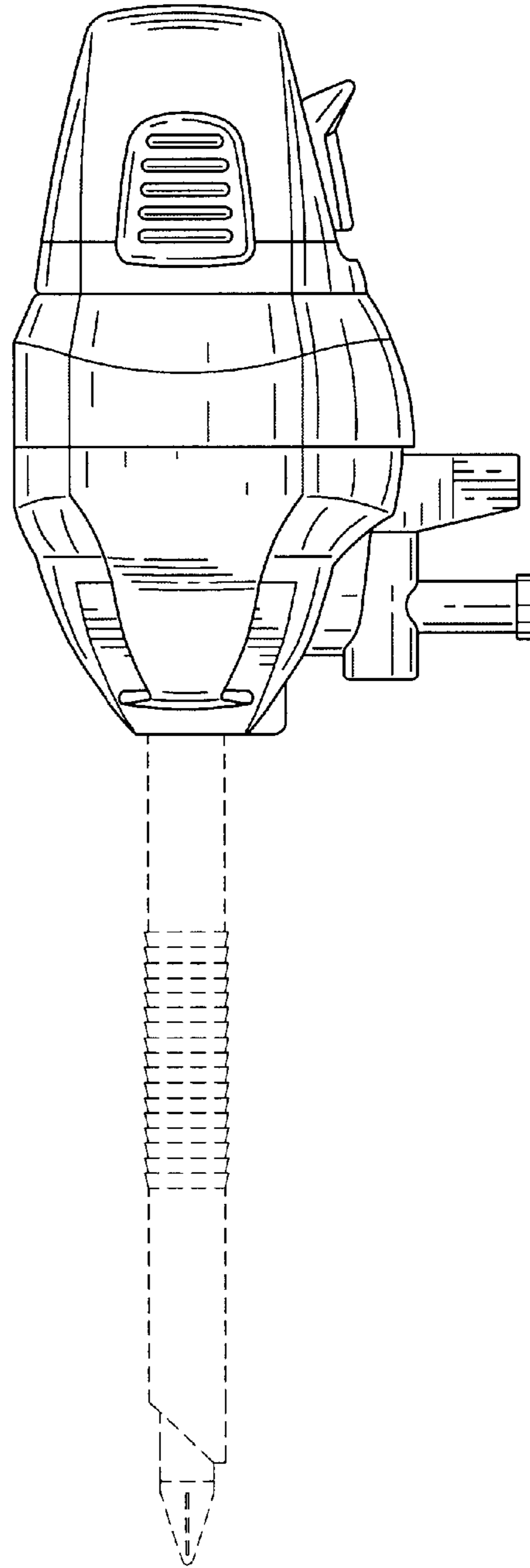


FIG. 4

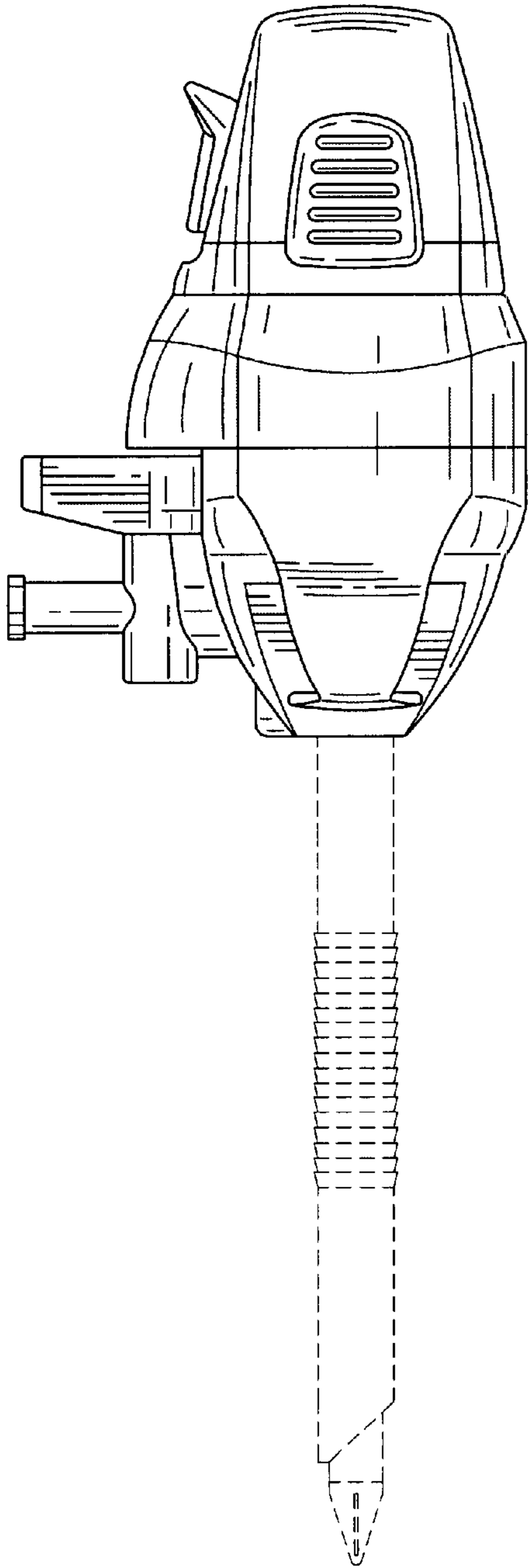


FIG. 5

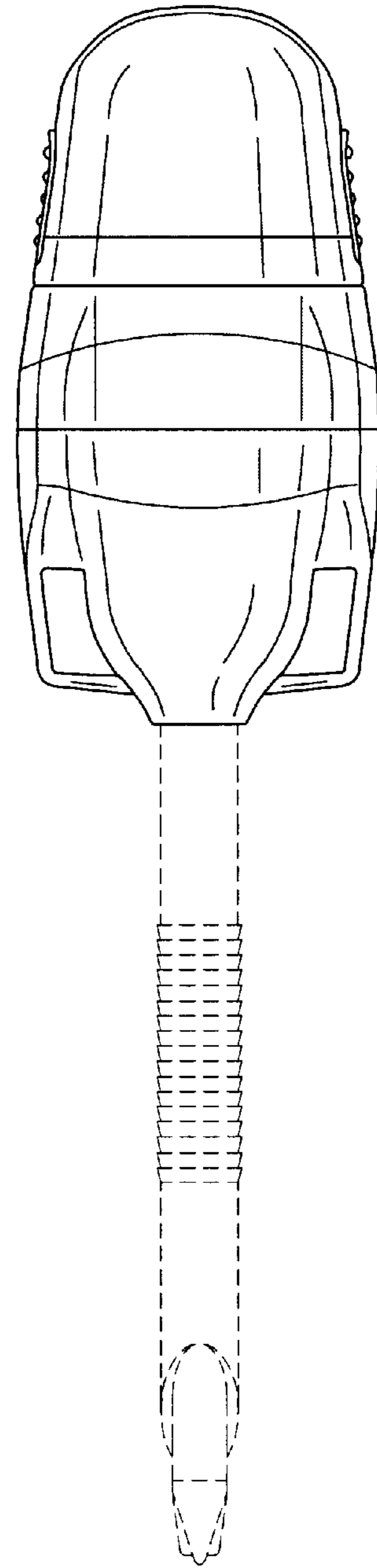


FIG. 6

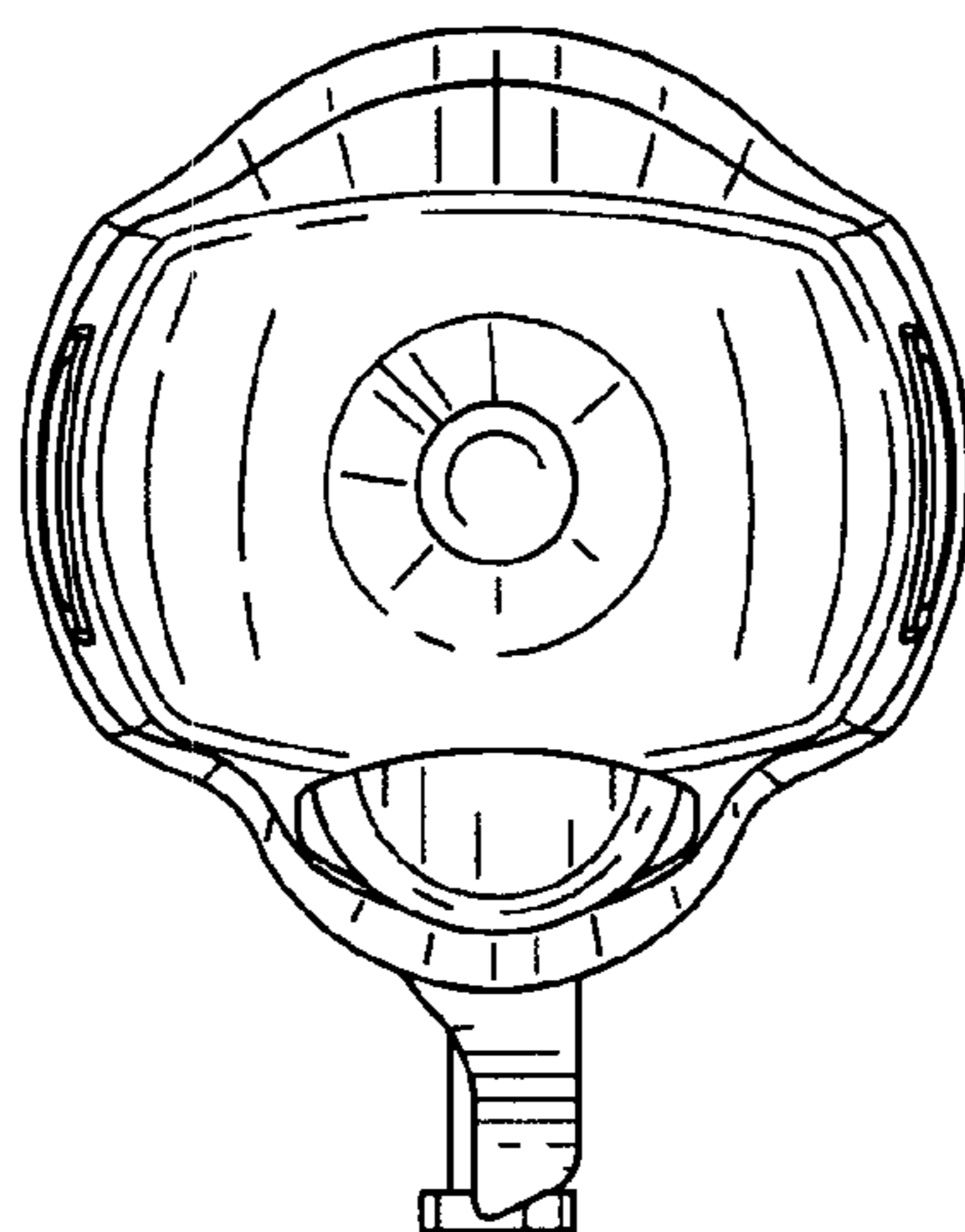


FIG. 7

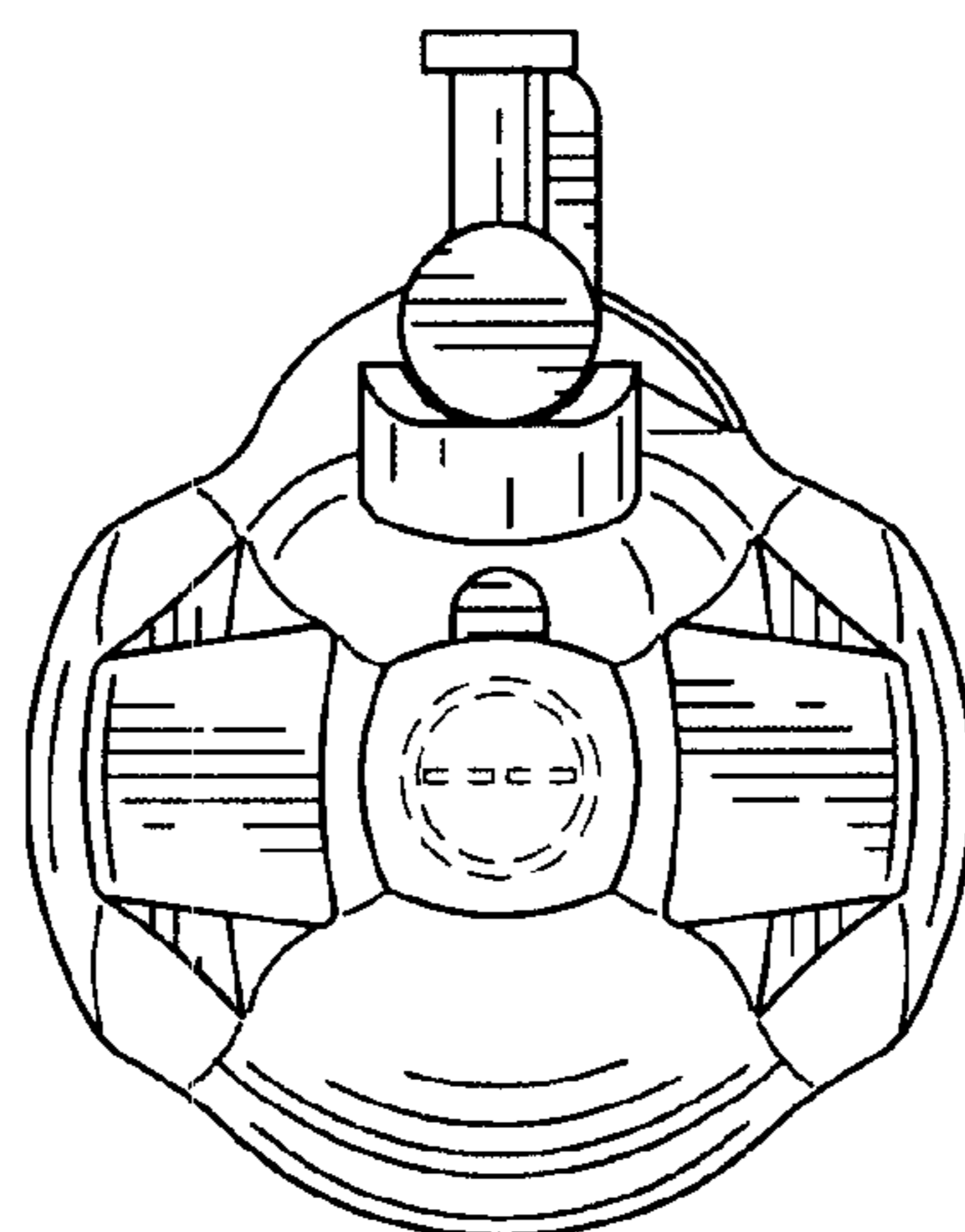


FIG. 8