

US00D541411S

(12) **United States Design Patent**
Dumortier

(10) **Patent No.:** **US D541,411 S**

(45) **Date of Patent:** **** Apr. 24, 2007**

(54) **GAS BURNER**

(75) Inventor: **Geert Dumortier**, Kortrijk (BE)

(73) Assignee: **NV Bekaert SA**, Zwevegem (BE)

(**) Term: **14 Years**

(21) Appl. No.: **29/234,125**

(22) Filed: **Jul. 14, 2005**

(30) **Foreign Application Priority Data**

Jan. 31, 2005 (EM) 000286901-0001

(51) **LOC (8) Cl.** **23-03**

(52) **U.S. Cl.** **D23/415**

(58) **Field of Classification Search** D23/317,
D23/342, 343-347, 350, 396-406, 409-410,
D23/415-419, 499; 16/DIG. 11; 52/36.3;
294/14; D7/332-335, 337-349, 653; 126/58,
126/245, 500, 540, 543-544, 547, 550, 555,
126/9 A, 9 B, 9, 39, 275 R

See application file for complete search history.

(56) **References Cited**

U.S. PATENT DOCUMENTS

- D1,832 S * 10/1863 Wheeler D23/346
- 2,789,877 A 4/1957 Pfundt
- 3,841,211 A * 10/1974 Ellis 99/482
- D236,910 S 9/1975 Oyler
- D240,628 S 7/1976 Kapuslin
- D242,353 S * 11/1976 Schrader D7/340

- D252,405 S 7/1979 Heine
- D254,389 S * 3/1980 Freeland D23/350
- D264,499 S 5/1982 Lundy
- D274,931 S * 7/1984 Runquist D23/343
- D330,076 S 10/1992 Evans
- D359,115 S 6/1995 Schroeter
- 6,178,965 B1 * 1/2001 Sulak 126/519
- 6,748,939 B1 * 6/2004 Gober 126/25 R
- D493,328 S * 7/2004 Wood D7/332
- D518,169 S * 3/2006 Verbauwhede D23/415

OTHER PUBLICATIONS

U.S. Appl. No. 29/219,908, filed Dec. 27, 2004, Verbauwhede.

* cited by examiner

Primary Examiner—Sandra Snapp

Assistant Examiner—Karen S Acker

(74) *Attorney, Agent, or Firm*—Shlesinger, Arkwright & Garvey LLP

(57) **CLAIM**

The ornamental design for a gas burner, as shown and described.

DESCRIPTION

FIG. 1 is a front perspective view of a gas burner, showing my new design; and,

FIG. 2 is a rear perspective view of FIG. 1.

The phantom lines shown do not form a part of the claimed design.

1 Claim, 2 Drawing Sheets

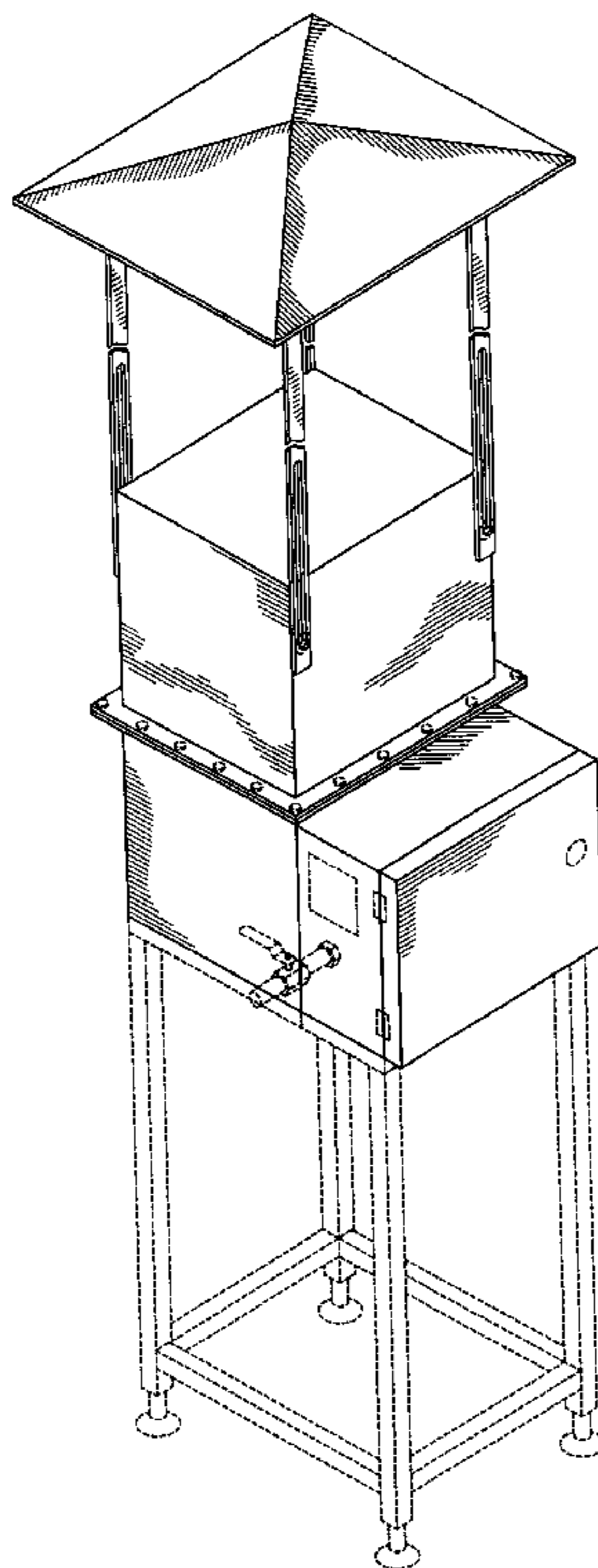


FIG. 1

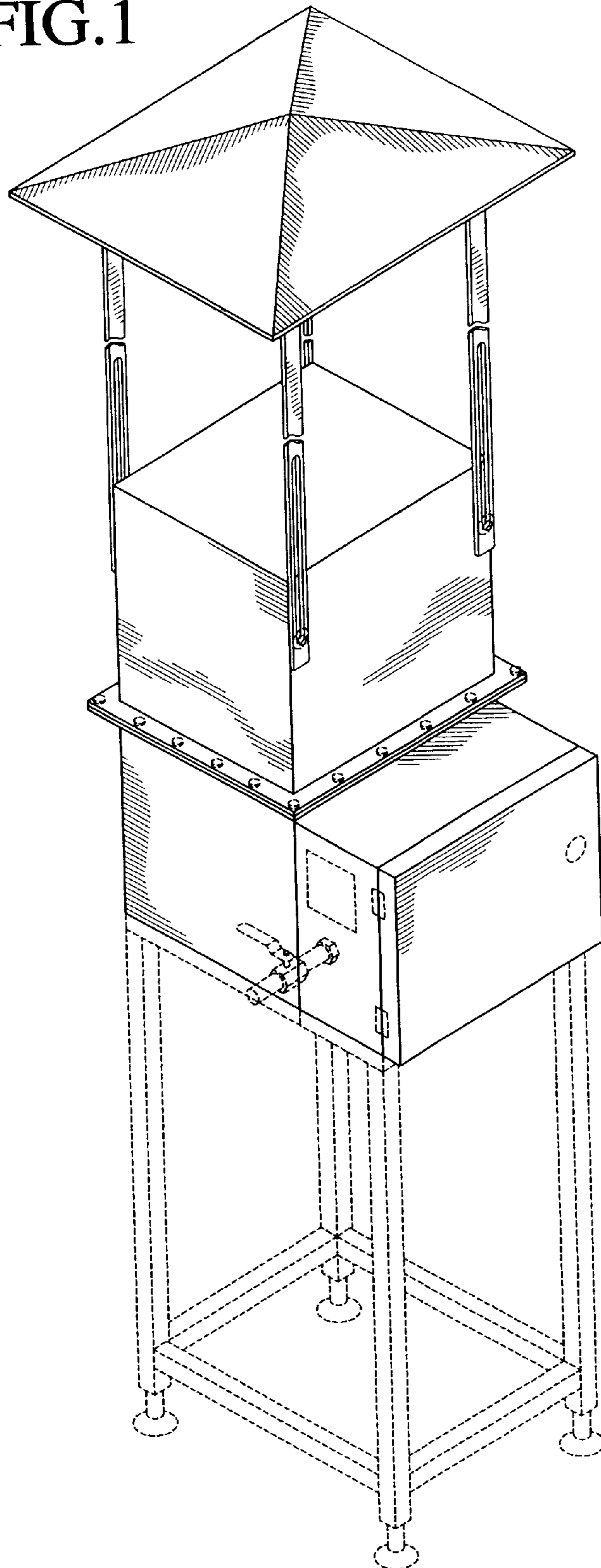


FIG.2

