



US00D541410S

(12) **United States Design Patent**
Ertze

(10) **Patent No.:** **US D541,410 S**
(45) **Date of Patent:** **** Apr. 24, 2007**

(54) **COMBINED CEILING FAN HOUSING, AND
BLADE IRON**

(75) Inventor: **Pablo J. Ertze**, Rancho Cucamonga,
CA (US)

(73) Assignee: **Landmark Enterprise, Inc.**, Bandar
Seri Begawan (BN)

(**) Term: **14 Years**

D483,848 S 12/2003 Tai
D483,850 S 12/2003 Tai
D484,588 S 12/2003 Tai
D484,969 S 1/2004 Tai
D485,344 S 1/2004 Tai
D485,609 S 1/2004 Tai
D485,611 S 1/2004 Tai
D485,897 S 1/2004 Tai
D490,888 S 6/2004 Tai
D494,705 S 8/2004 Tai
D501,578 S 2/2005 Tai

(Continued)

(21) Appl. No.: **29/260,551**

(22) Filed: **May 25, 2006**

(51) **LOC (8) Cl.** **23-04**

(52) **U.S. Cl.** **D23/411**

(58) **Field of Classification Search** D23/411,
D23/413, 377, 379, 385; 416/5; D26/59,
D26/72, 81-88, 51

See application file for complete search history.

Primary Examiner—Lisa Lichtenstein

(74) *Attorney, Agent, or Firm*—Morrison & Foerster LLP

(57) **CLAIM**

The ornamental design for a combined ceiling fan housing and blade iron, as shown and described.

DESCRIPTION

FIG. 1 is a perspective view of a combined ceiling fan housing and blade iron constructed in accordance with the present invention, the ceiling fan illustrates an environment for said fan housing and light;

FIG. 2 is an enlarged perspective view of a combined ceiling fan housing and blade iron in accordance with the present invention;

FIG. 3 is an enlarged perspective view of the combined ceiling fan housing and blade iron in accordance with the present invention;

FIG. 4 is an enlarged top view of the combined ceiling fan housing and blade iron in accordance with the present invention;

FIG. 5 is an enlarged bottom view of the combined ceiling fan housing and blade iron in accordance with the present invention; and,

FIG. 6 is an enlarged front view of the combined ceiling fan housing and blade iron in accordance with the present invention, the side views and the rear view being substantially the same.

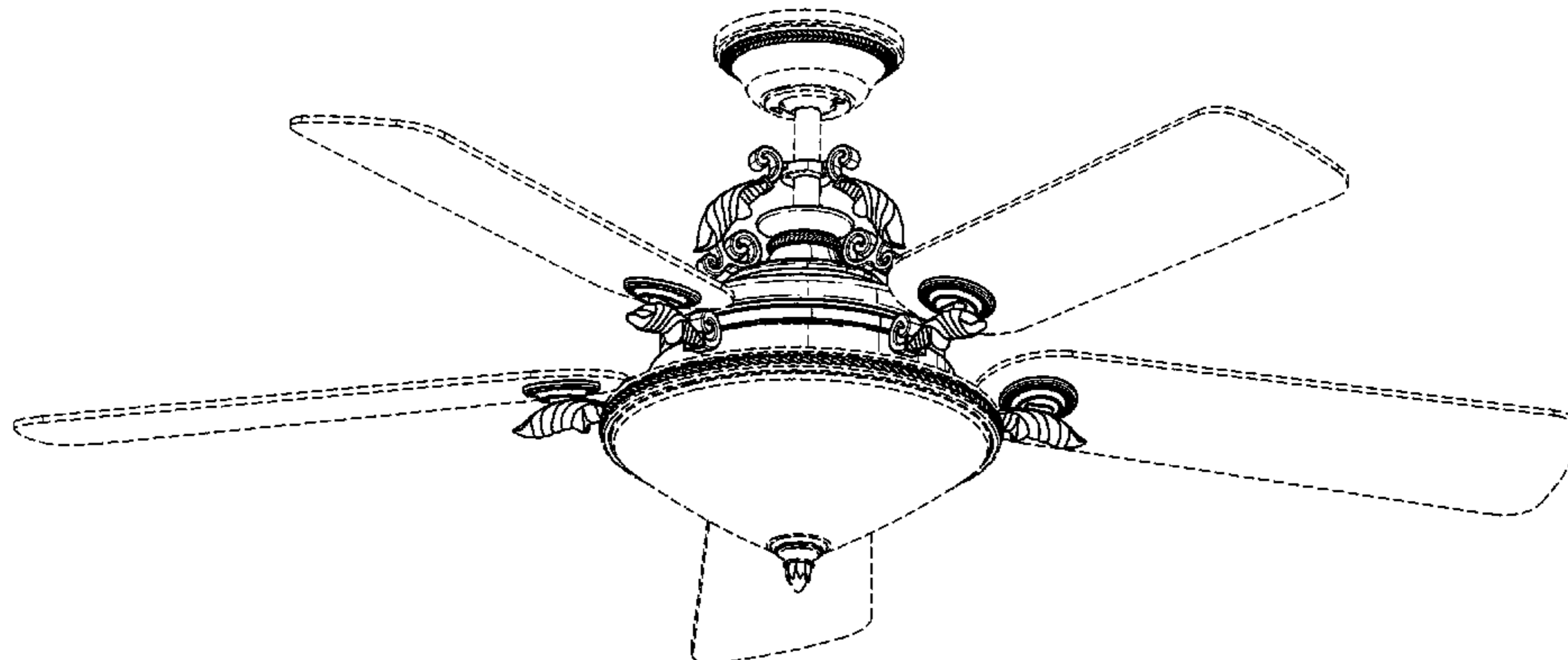
The broken line showing of a ceiling fan canopy and blades is included for the purpose of illustrating environmental structure and forms no part of the claimed design.

(56) **References Cited**

U.S. PATENT DOCUMENTS

5,508,484	A	4/1996	Chen	
D396,530	S	7/1998	Tai	
D404,808	S	1/1999	Tai	
D404,809	S	1/1999	Tai	
D405,878	S	2/1999	Tai	
D408,073	S	4/1999	Tai	
D408,074	S	4/1999	Tai	
D408,516	S	4/1999	Tai	
D409,297	S	5/1999	Tai	
6,059,531	A	5/2000	Tai	
6,135,618	A	10/2000	Tai	
D441,442	S	* 5/2001	Williams D23/377
6,259,025	B1	7/2001	Tai	
6,379,116	B1	4/2002	Tai	
D457,947	S	5/2002	Tai	
6,392,146	B1	5/2002	Tai	
D458,675	S	6/2002	Tai	
D478,381	S	8/2003	Tai	
D483,463	S	12/2003	Tai	
D483,464	S	12/2003	Tai	
D483,465	S	12/2003	Tai	
D483,847	S	12/2003	Tai	

1 Claim, 4 Drawing Sheets



US D541,410 S

Page 2

U.S. PATENT DOCUMENTS

D503,472 S	3/2005	Tai	D504,173 S	4/2005	Cohen	
D503,473 S	3/2005	Tai	D504,502 S	* 4/2005	Young D23/377
D503,474 S	3/2005	Tai	D505,197 S	5/2005	Tai	
D503,475 S	3/2005	Tai	D505,724 S	5/2005	Tai	
D503,476 S	3/2005	Tai	D507,644 S	7/2005	Tai	
D503,795 S	4/2005	Tai	D507,830 S	7/2005	Pan	

* cited by examiner

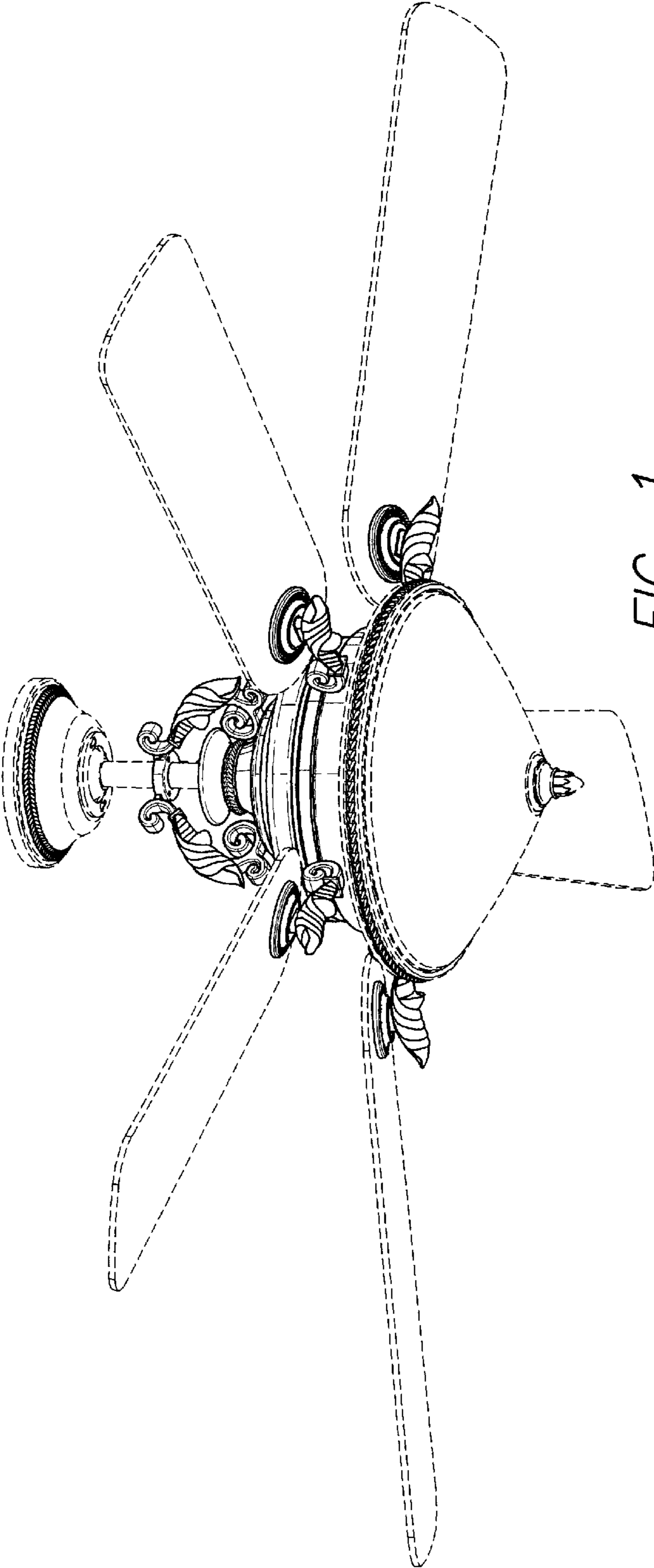


FIG. 1

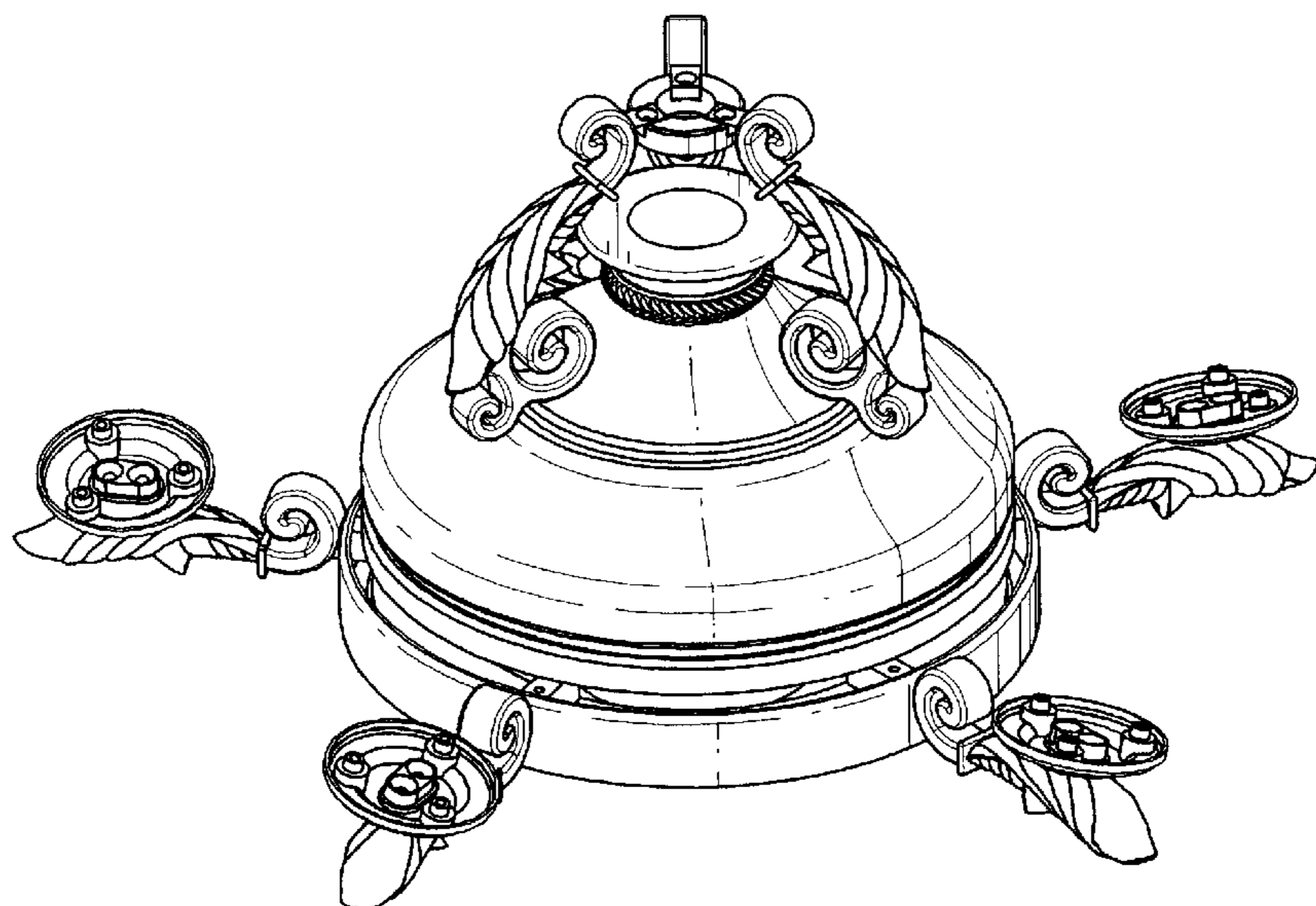


FIG. 2

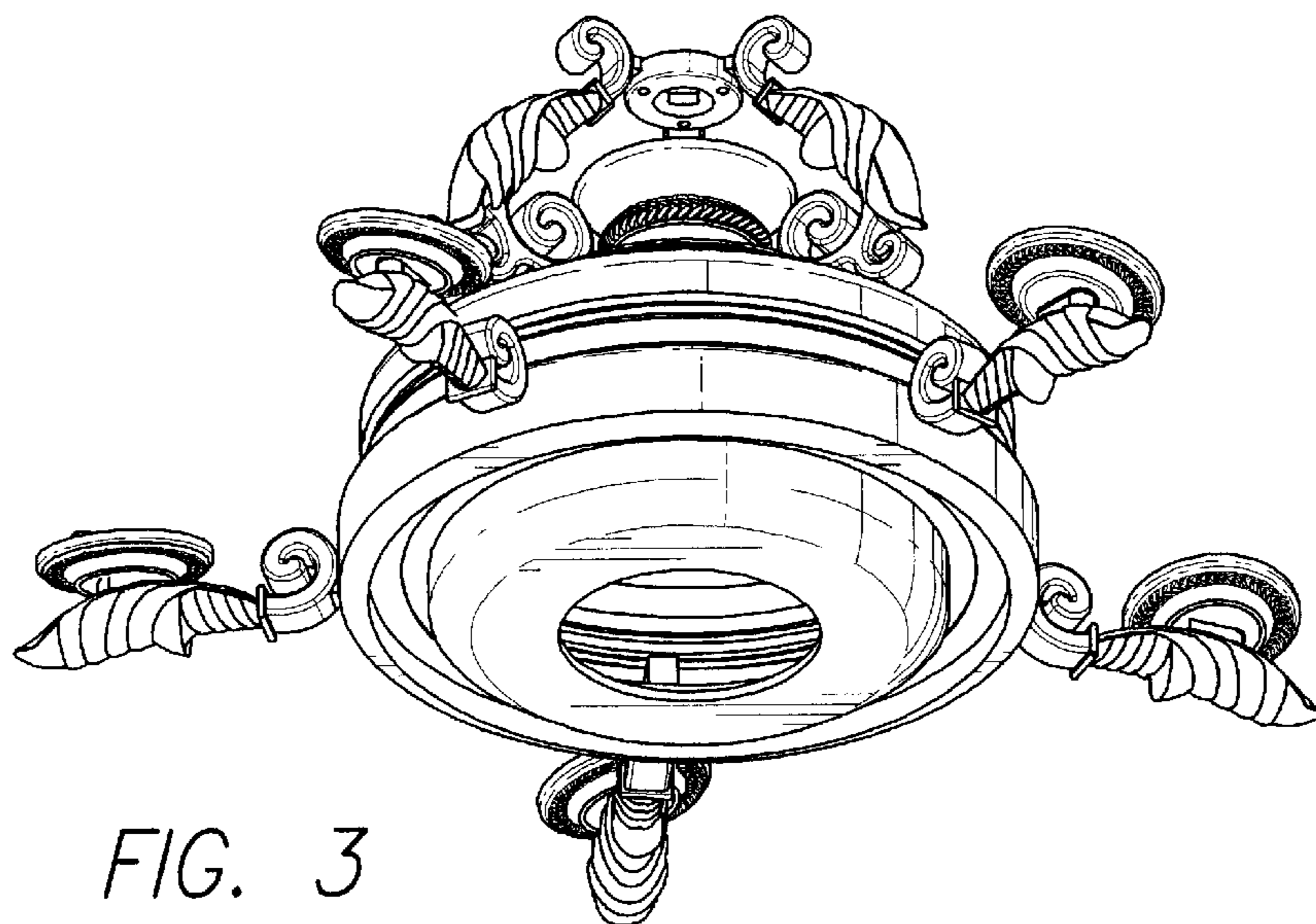


FIG. 3

FIG. 4

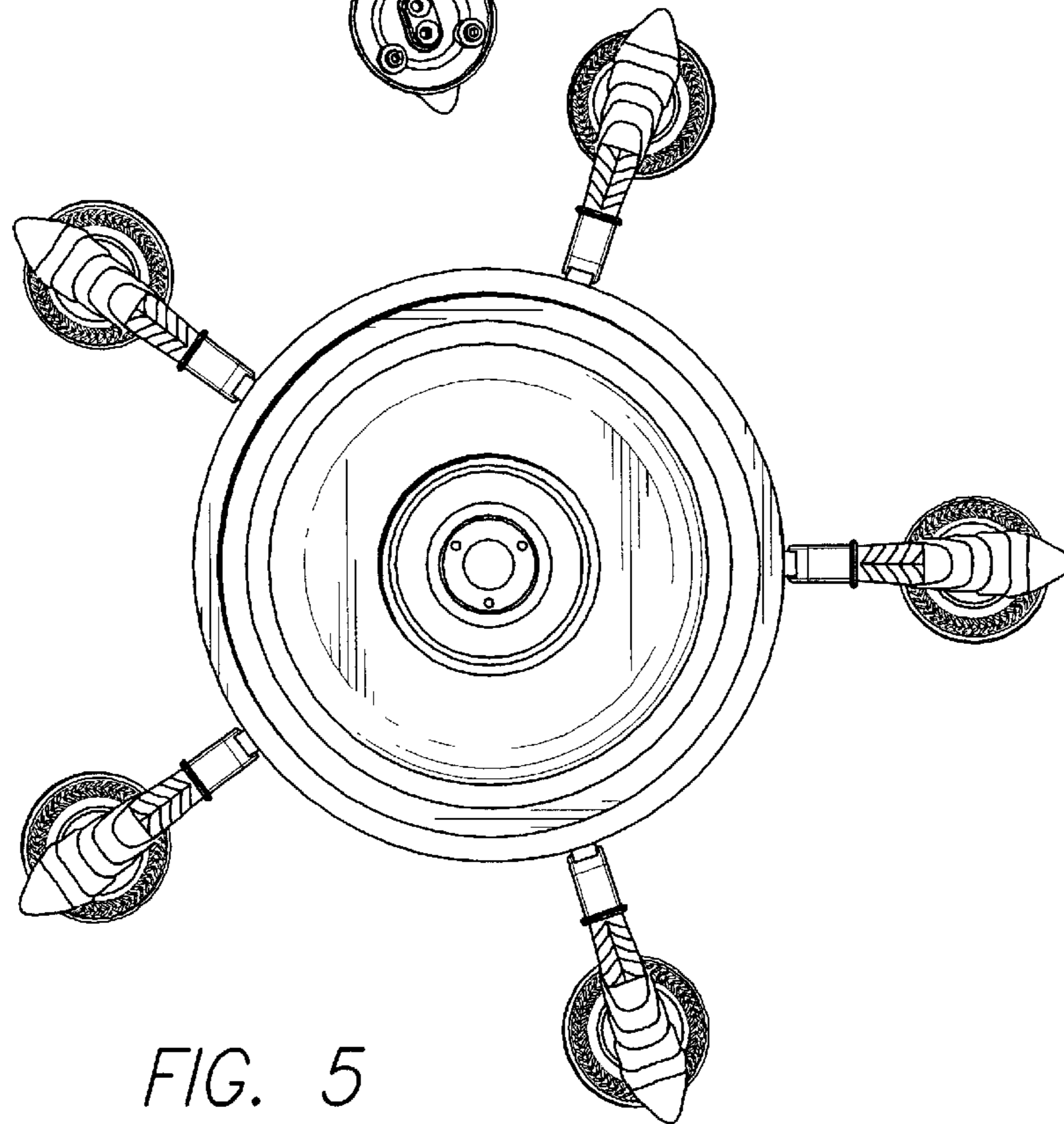
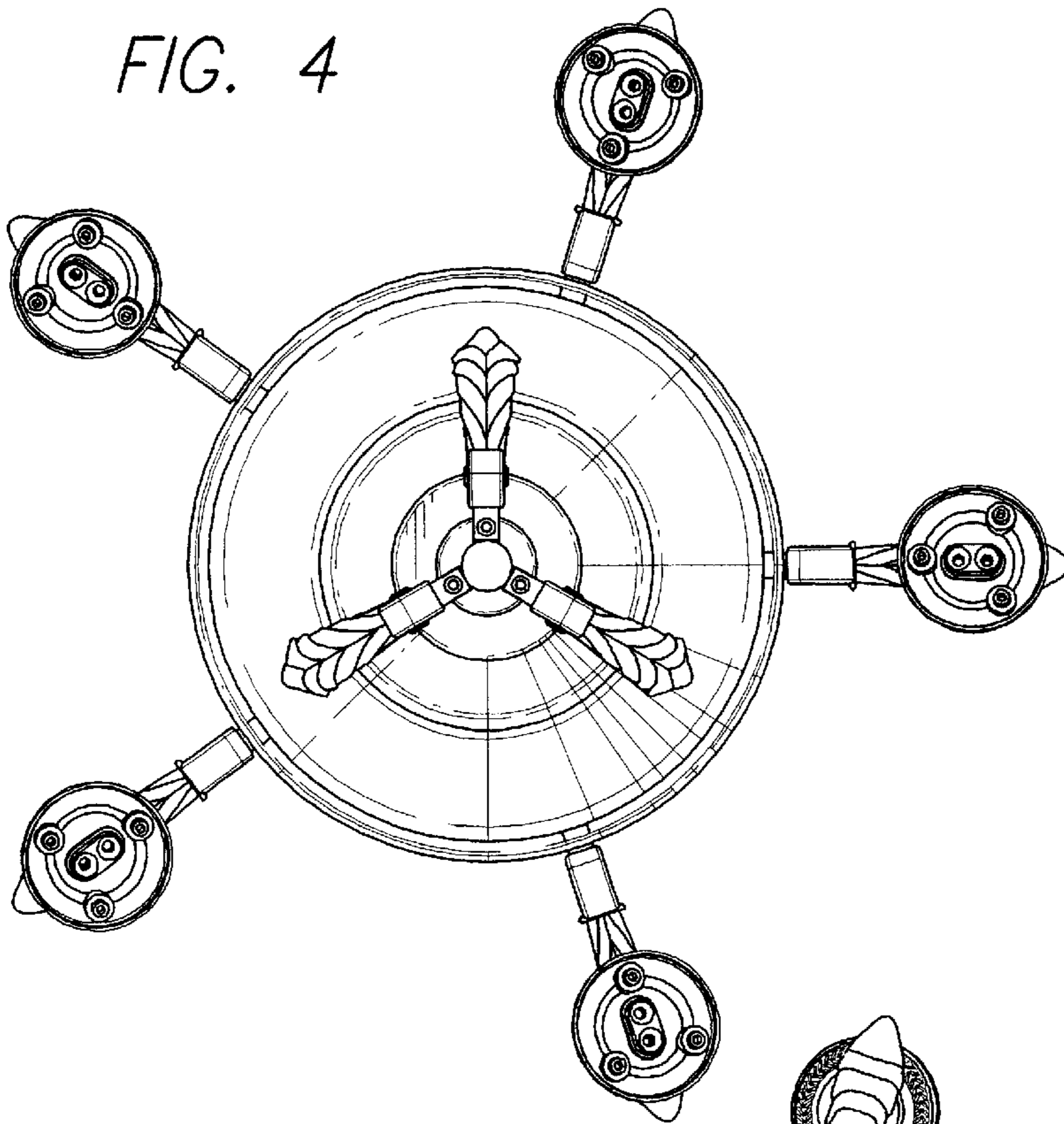


FIG. 5

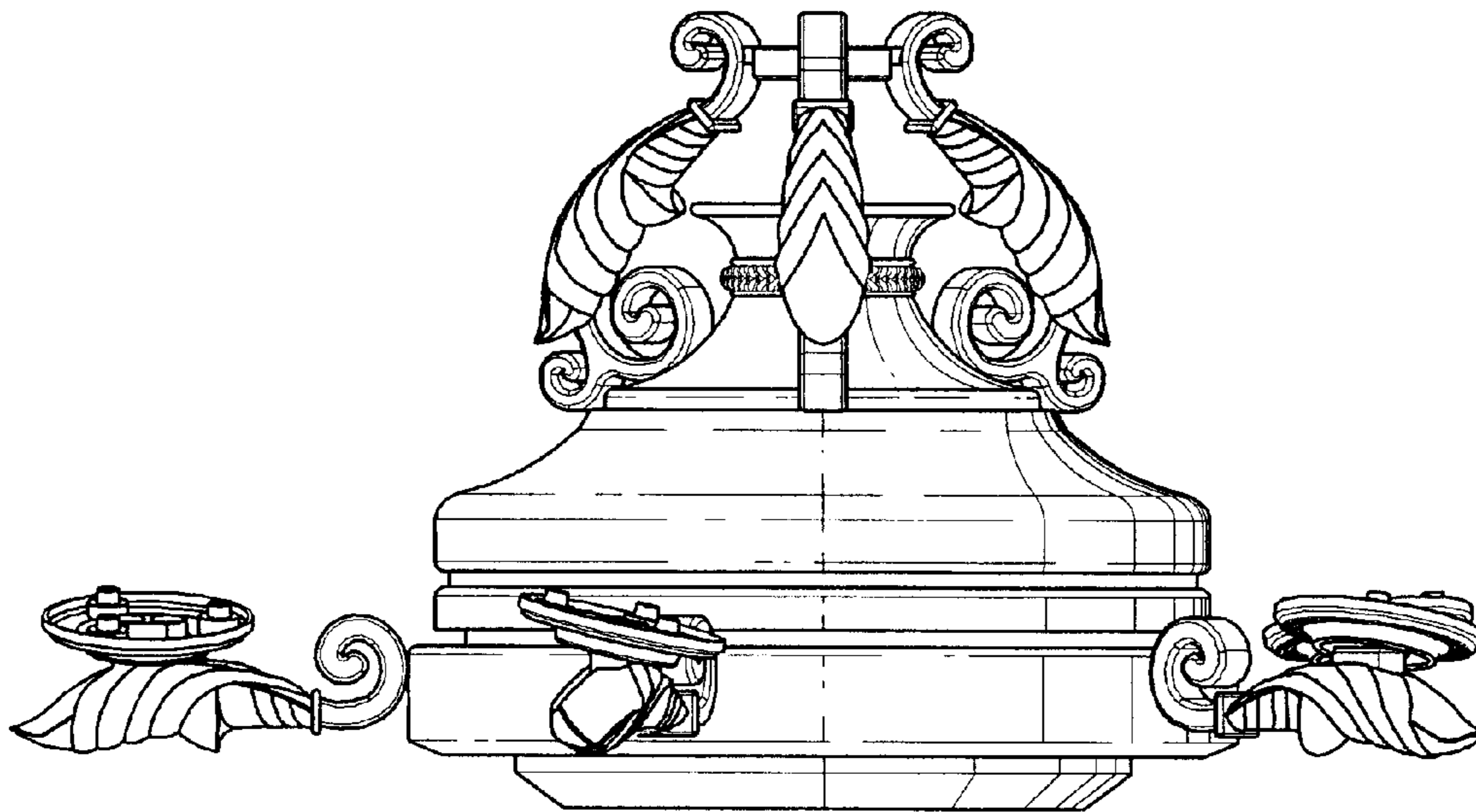


FIG. 6