

US00D541409S

(12) **United States Design Patent**
Ertze

(10) **Patent No.:** **US D541,409 S**
(45) **Date of Patent:** **** Apr. 24, 2007**

(54) **COMBINED CEILING FAN HOUSING,
BLADE IRONS, AND LIGHT KIT UNIT**

(75) Inventor: **Pablo J. Ertze**, Rancho Cucamonga,
CA (US)

(73) Assignee: **Landmark Enterprise, Inc.**, Bandar
Seri Begawan (BN)

(**) Term: **14 Years**

(21) Appl. No.: **29/260,528**

(22) Filed: **May 25, 2006**

(51) **LOC (8) Cl.** **23-04**

(52) **U.S. Cl.** **D23/411**

(58) **Field of Classification Search** D23/411,
D23/413, 377, 379, 385; 416/5; D26/59,
D26/72, 81-88, 51

See application file for complete search history.

(56) **References Cited**

U.S. PATENT DOCUMENTS

5,508,484	A	4/1996	Chen	
D396,530	S	7/1998	Tai	
D404,808	S	1/1999	Tai	
D404,809	S	1/1999	Tai	
D405,878	S	2/1999	Tai	
D408,073	S	4/1999	Tai	
D408,074	S	4/1999	Tai	
D408,516	S	4/1999	Tai	
D409,297	S	5/1999	Tai	
D417,494	S	* 12/1999	Evans D23/377
6,059,531	A	5/2000	Tai	
6,135,618	A	10/2000	Tai	
6,259,025	B1	7/2001	Tai	
D451,993	S	* 12/2001	Hsieh D23/377
6,379,116	B1	4/2002	Tai	
D457,947	S	5/2002	Tai	
6,392,146	B1	5/2002	Tai	
D458,675	S	6/2002	Tai	
D478,381	S	8/2003	Tai	
D483,463	S	12/2003	Tai	
D483,464	S	12/2003	Tai	
D483,465	S	12/2003	Tai	

D483,847	S	12/2003	Tai
D483,848	S	12/2003	Tai
D483,849	S	12/2003	Tai
D483,850	S	12/2003	Tai
D484,588	S	12/2003	Tai
D484,969	S	1/2004	Tai
D485,344	S	1/2004	Tai
D485,609	S	1/2004	Tai
D485,611	S	1/2004	Tai
D485,897	S	1/2004	Tai
D490,888	S	6/2004	Tai
D494,705	S	8/2004	Tai

(Continued)

Primary Examiner—Lisa Lichtenstein

(74) *Attorney, Agent, or Firm*—Morrison & Foerster LLP

(57) **CLAIM**

The ornamental design for a combined ceiling fan housing, blade irons, and light kit unit, as shown and described.

DESCRIPTION

FIG. 1 is a perspective view of a combined ceiling fan housing, blade irons, and light kit unit constructed in accordance with the present invention, the ceiling fan illustrates an environment for said fan housing and light;

FIG. 2 is a perspective view of a combined ceiling fan housing, blade irons, and light kit unit in accordance with the present invention;

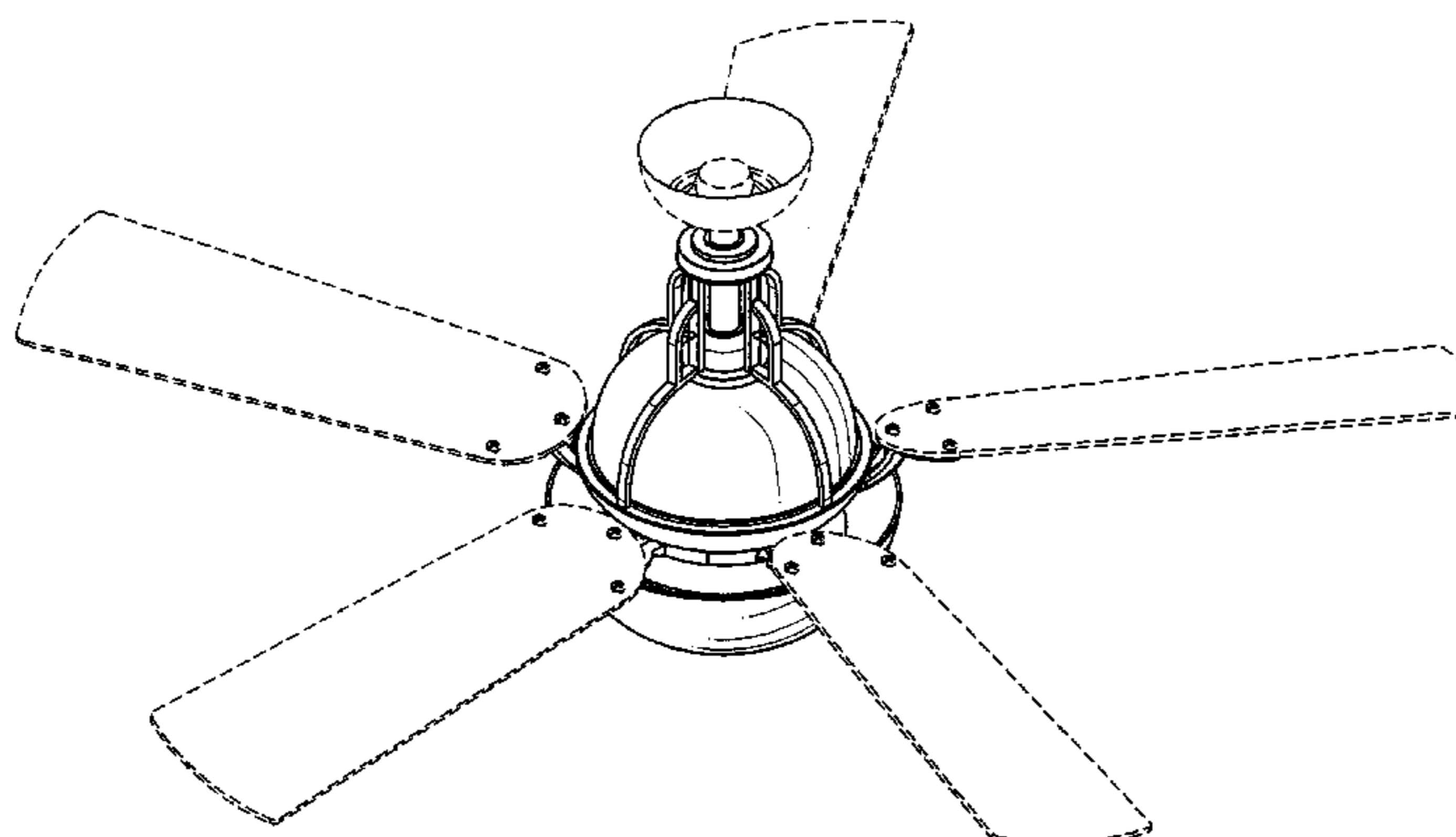
FIG. 3 is another perspective view of the combined ceiling fan housing, blade irons, and light kit unit in accordance with the present invention;

FIG. 4 is a top view of the combined ceiling fan housing, blade irons, and light kit unit in accordance with the present invention;

FIG. 5 is a bottom view of the combined ceiling fan housing, blade irons, and light kit unit in accordance with the present invention; and,

FIG. 6 is a front view of the combined ceiling fan housing, blade irons, and light kit unit in accordance with the present invention, the side views and the rear view being substantially the same.

1 Claim, 4 Drawing Sheets



US D541,409 S

Page 2

U.S. PATENT DOCUMENTS

D501,578 S 2/2005 Tai
D503,472 S 3/2005 Tai
D503,473 S 3/2005 Tai
D503,474 S 3/2005 Tai
D503,475 S 3/2005 Tai
D503,476 S 3/2005 Tai

D503,795 S 4/2005 Tai
D504,173 S 4/2005 Tai
D505,197 S 5/2005 Tai
D505,724 S 5/2005 Tai
D507,644 S 7/2005 Tai
D507,830 S 7/2005 Tai

* cited by examiner

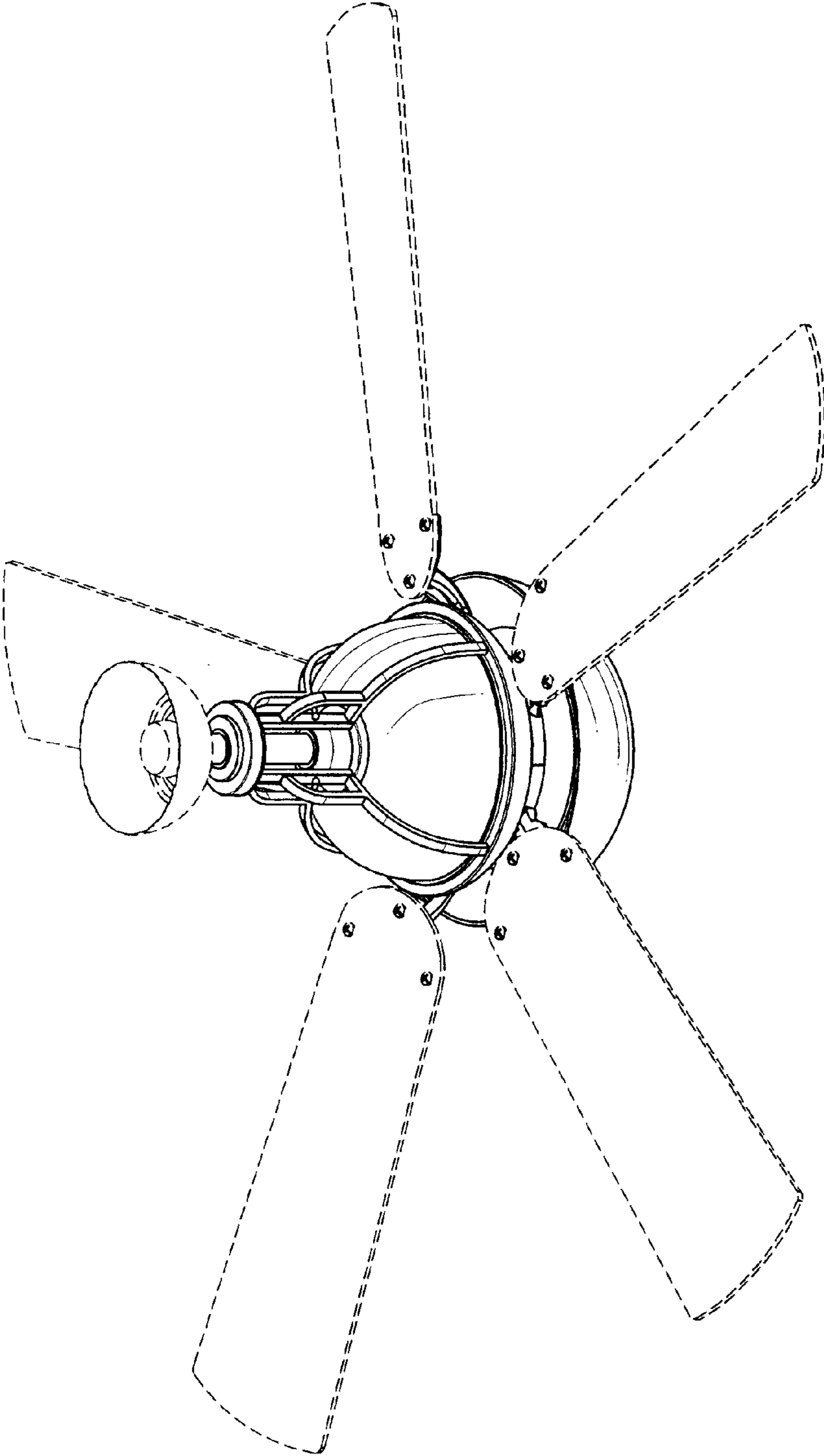


FIG. 1

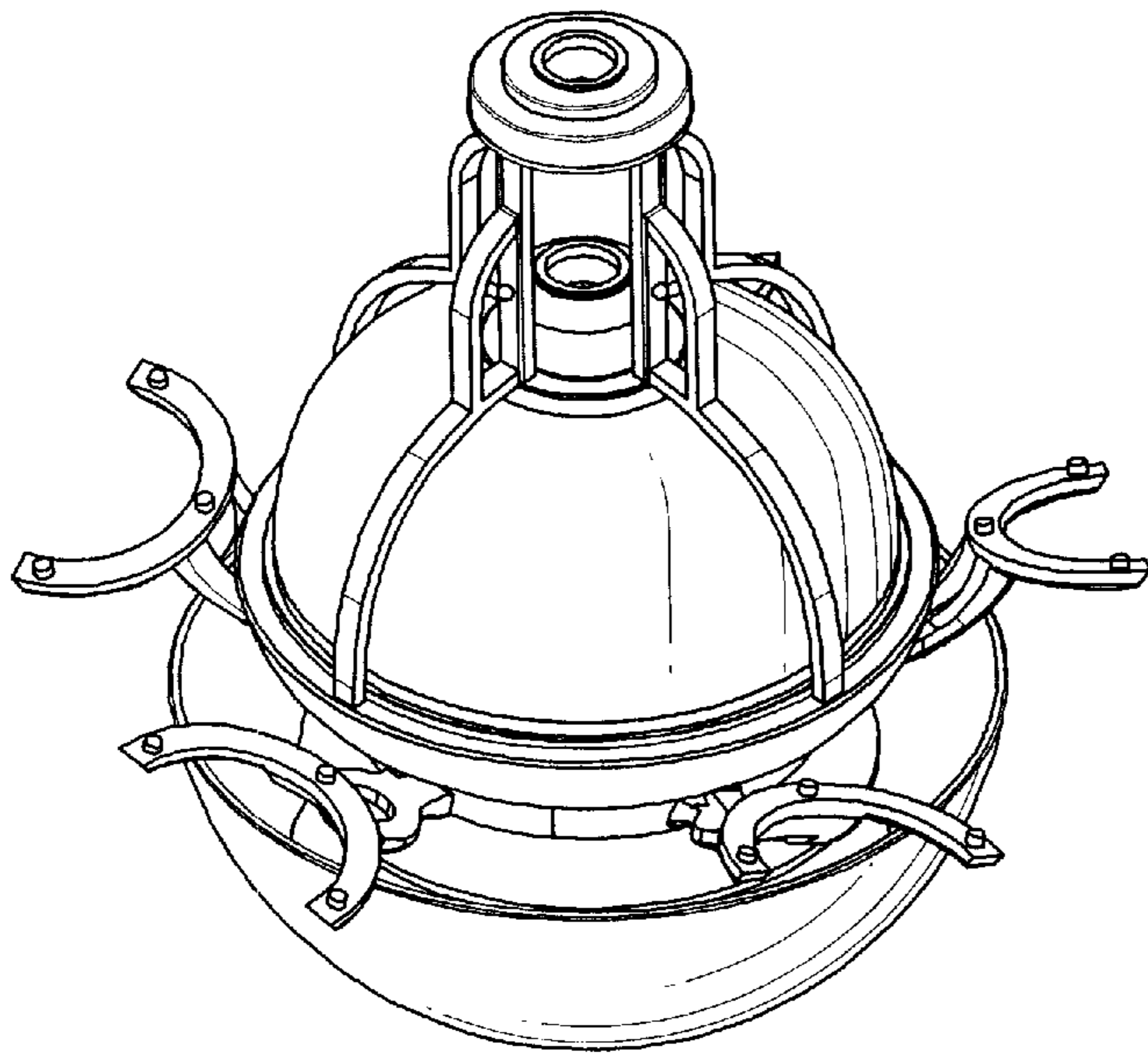


FIG. 2

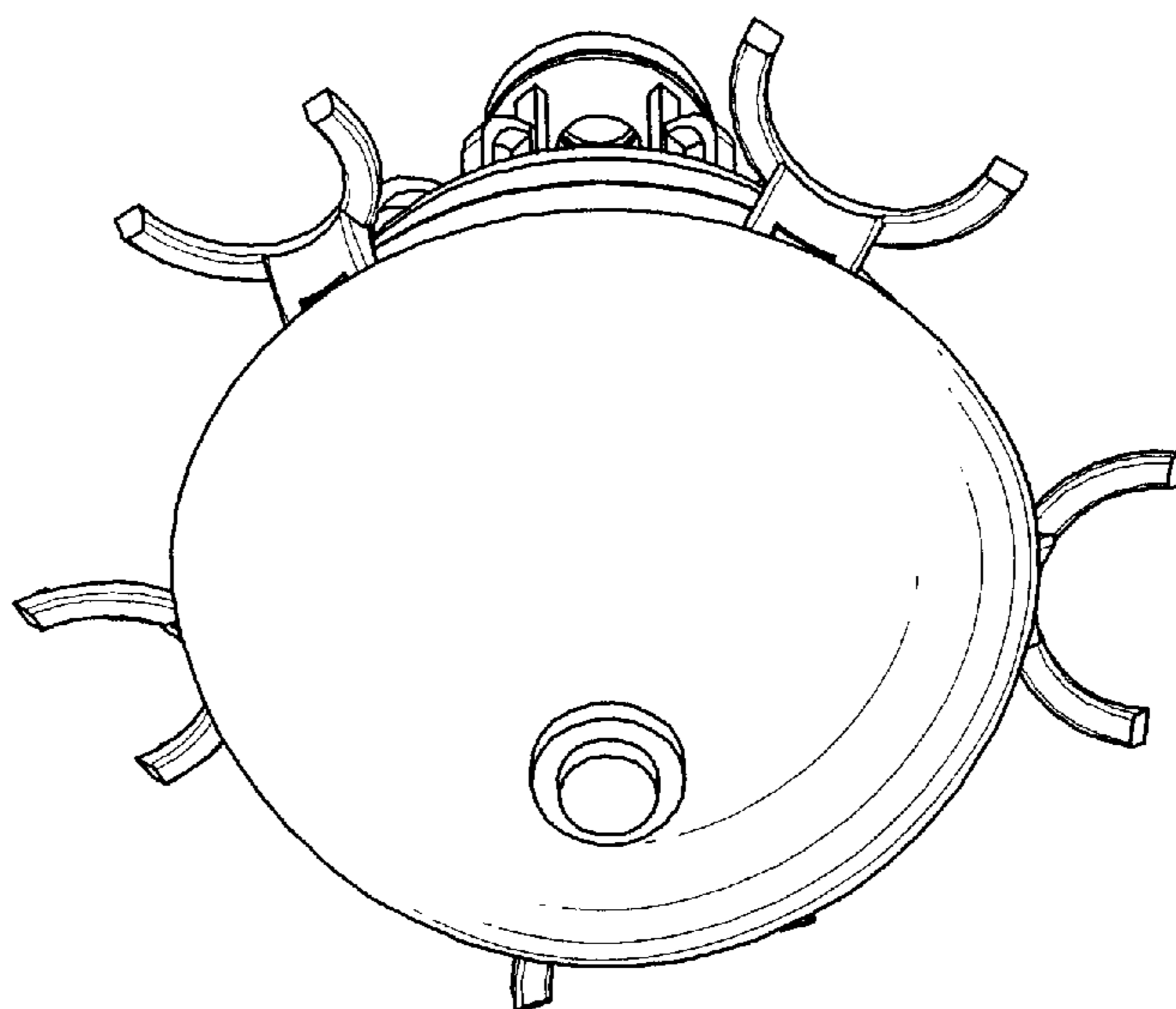


FIG. 3

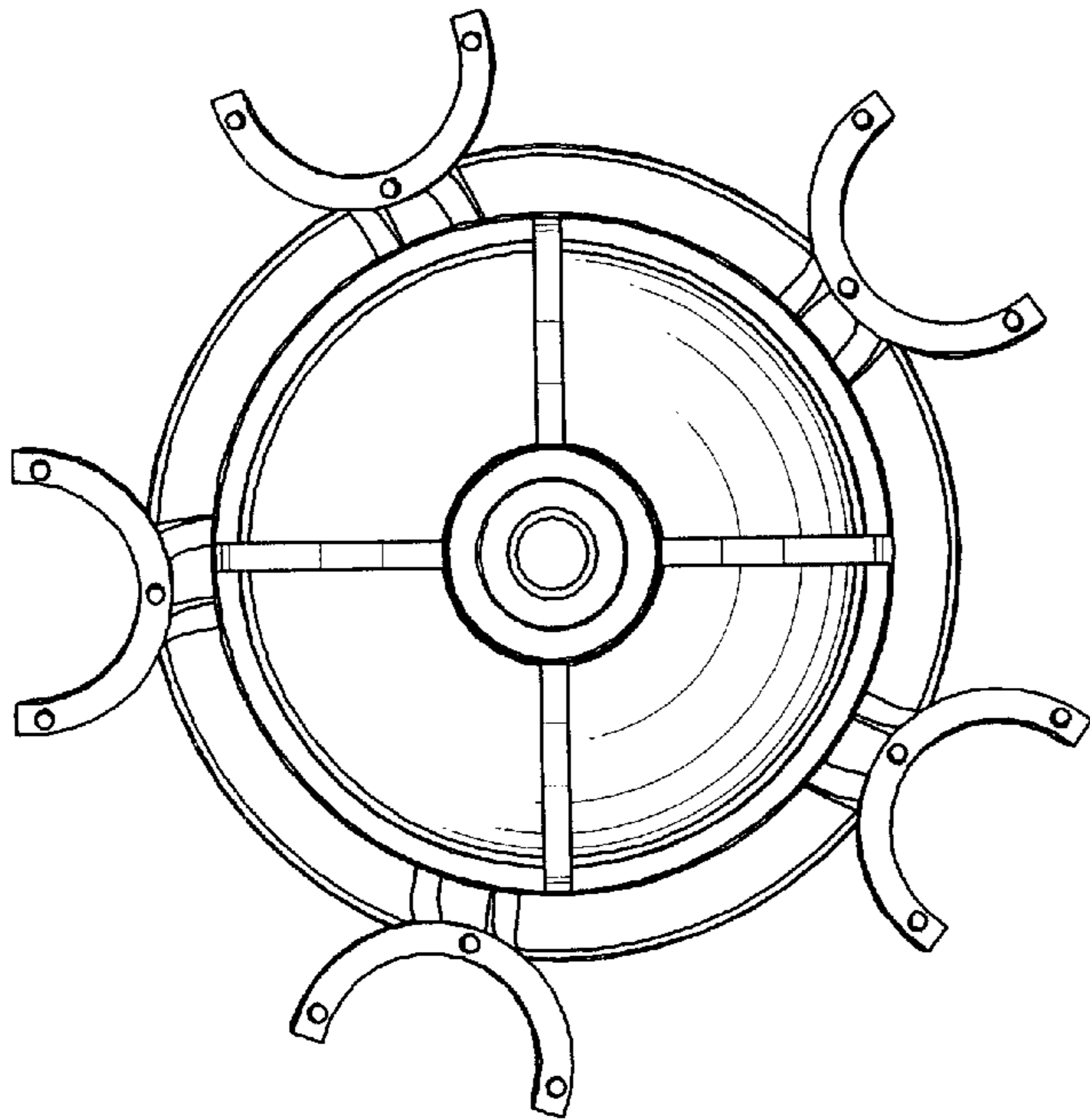


FIG. 4

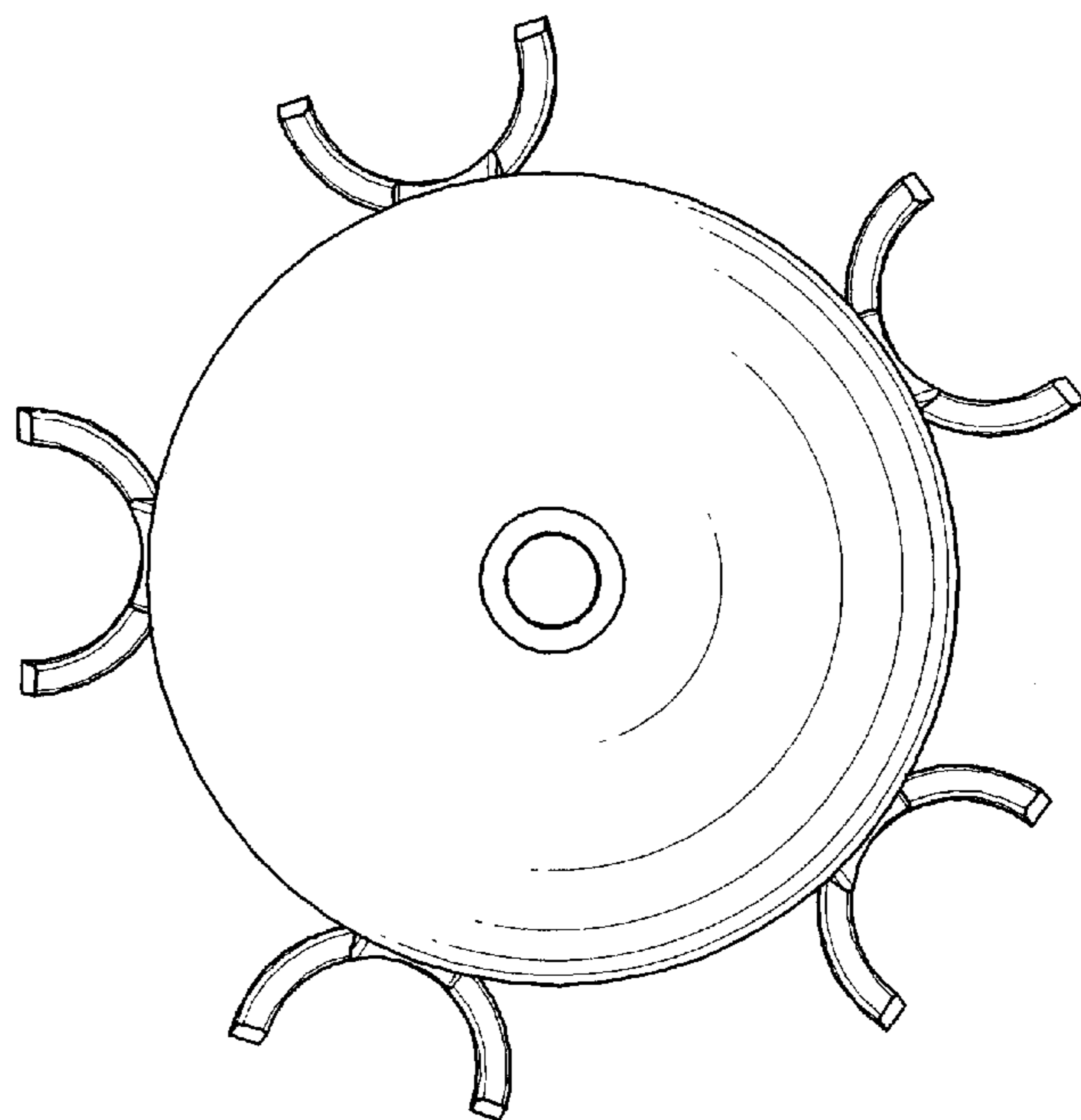


FIG. 5

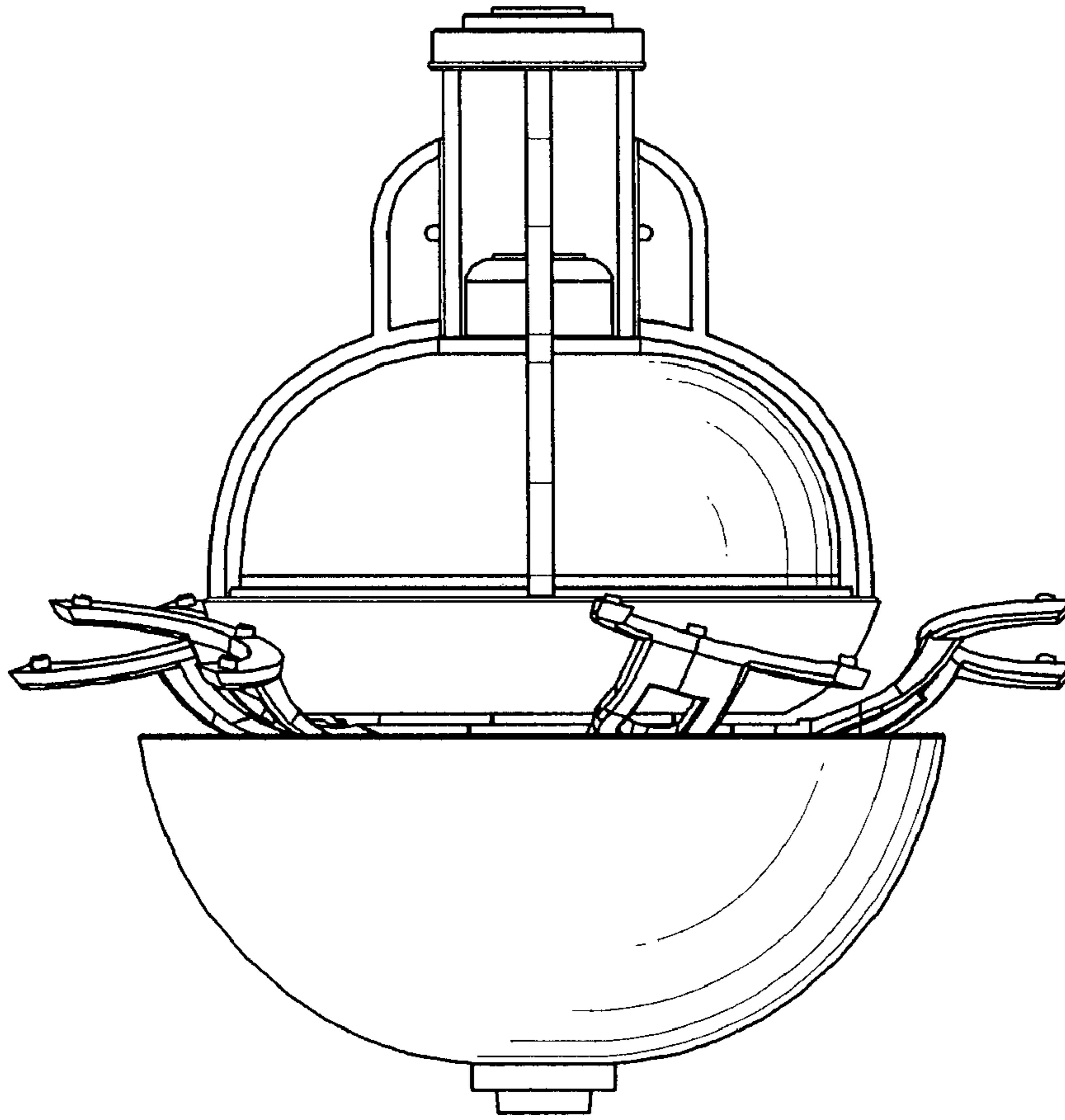


FIG. 6