



US00D541407S

(12) **United States Design Patent**  
**Pickett**

(10) **Patent No.:** **US D541,407 S**

(45) **Date of Patent:** **\*\* Apr. 24, 2007**

(54) **COMBINED CEILING FAN HOUSING AND LIGHT KIT**

(76) Inventor: **Mark Pickett**, 1419 E. Palm St., Altadena, CA (US) 91001

(\*\*) Term: **14 Years**

(21) Appl. No.: **29/257,421**

(22) Filed: **Apr. 4, 2006**

(51) **LOC (8) Cl.** ..... **23-04**

(52) **U.S. Cl.** ..... **D23/411**

(58) **Field of Classification Search** ..... D23/411, D23/377, 379, 385; 416/5; 392/364; D26/51, D26/59, 81-88

See application file for complete search history.

(56) **References Cited**

**U.S. PATENT DOCUMENTS**

D406,332 S	*	3/1999	Liu	.....	D23/411
D483,105 S	*	12/2003	Hsieh	.....	D23/377
D489,445 S	*	5/2004	Burns	.....	D23/411
D504,173 S	*	4/2005	Cohen	.....	D23/411

\* cited by examiner

*Primary Examiner*—Lisa Lichtenstein  
(74) *Attorney, Agent, or Firm*—Parsons & Goltry; Michael W. Goltry; Robert A. Parsons

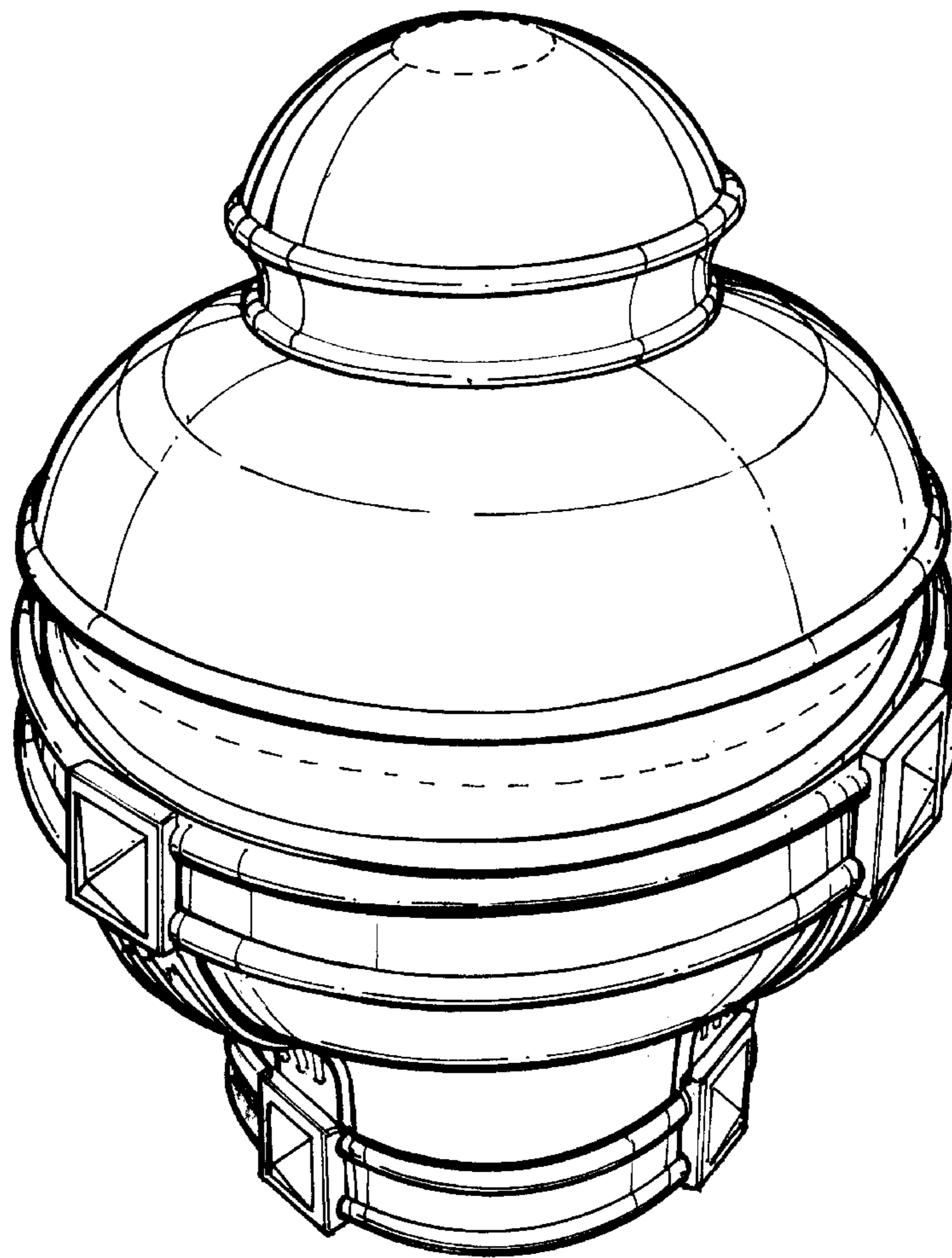
(57) **CLAIM**

The ornamental design for a combined ceiling fan housing and light kit, as shown and described.

**DESCRIPTION**

FIG. 1 is a top perspective view of a combined ceiling fan housing and light kit showing my new design; FIG. 2 is a bottom perspective view thereof; FIG. 3 is front elevational view thereof, the rear elevational view thereof, the left side elevational view thereof, and the right side elevational view being substantially the same thereof; FIG. 4 is a top plan view thereof; and, FIG. 5 is a bottom plan view thereof. The broken line showing of the ceiling fan chassis and the top opening is included for the purpose of illustrating environmental structure and forms no part of the claimed design.

**1 Claim, 5 Drawing Sheets**



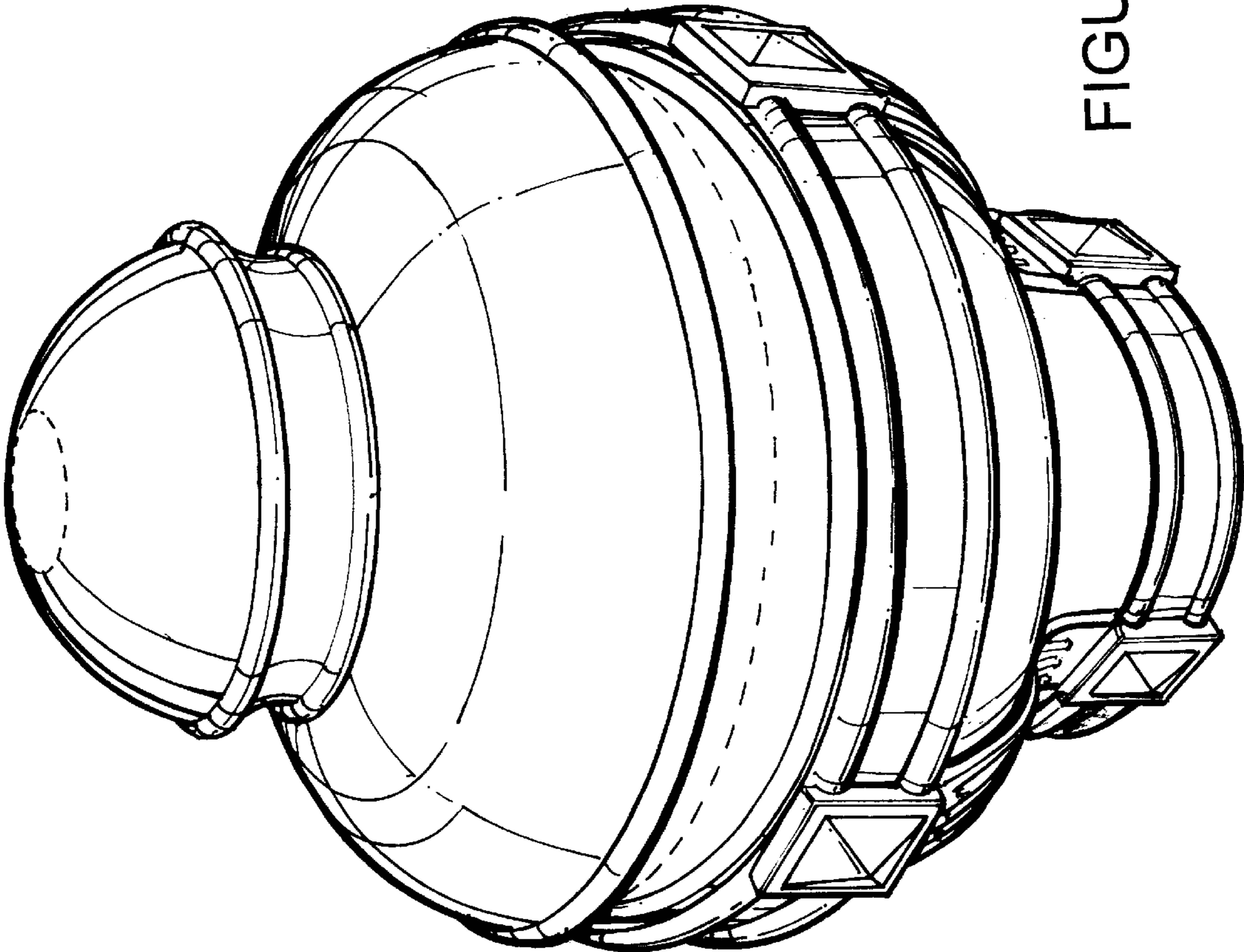


FIGURE 1

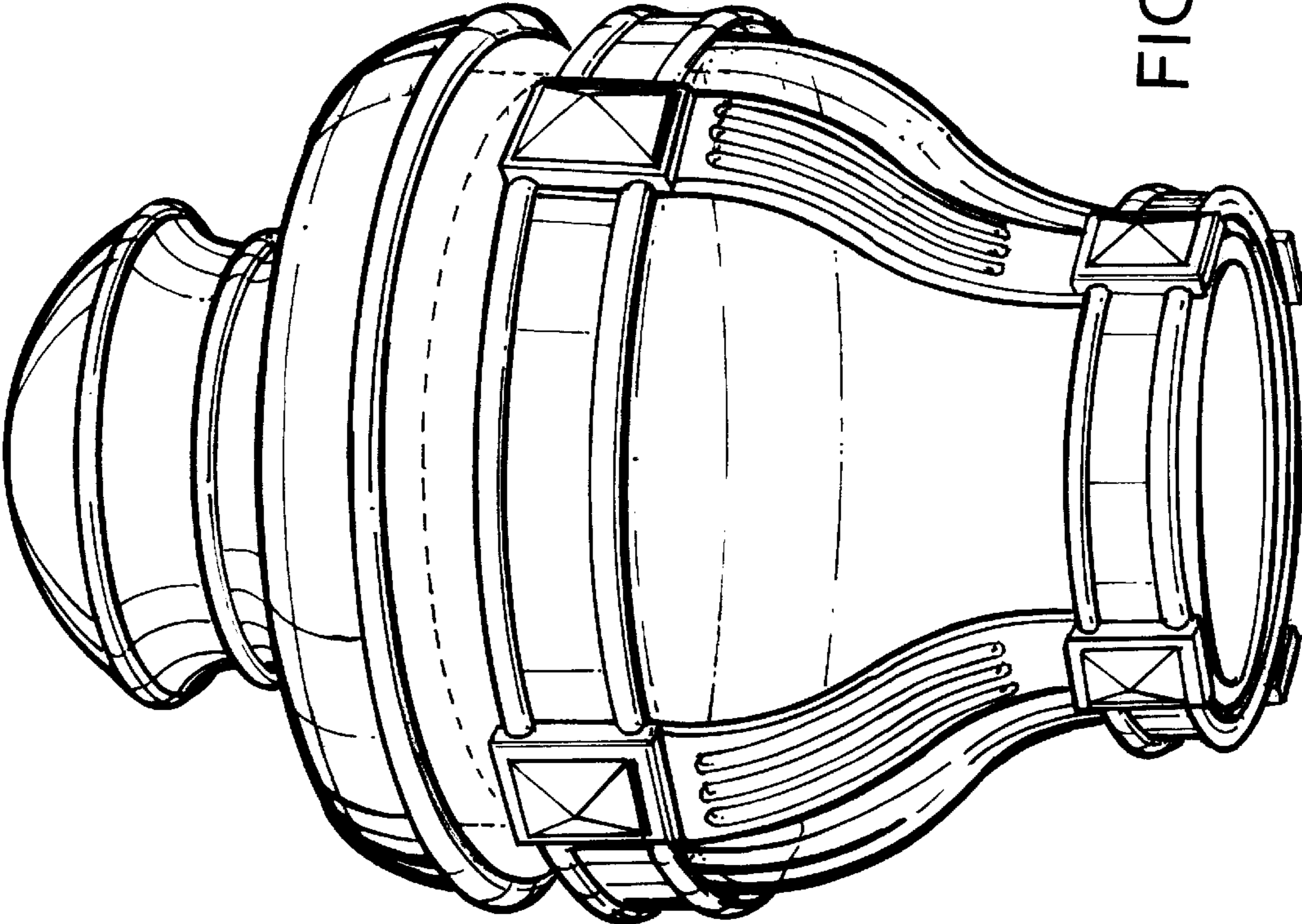


FIGURE 2

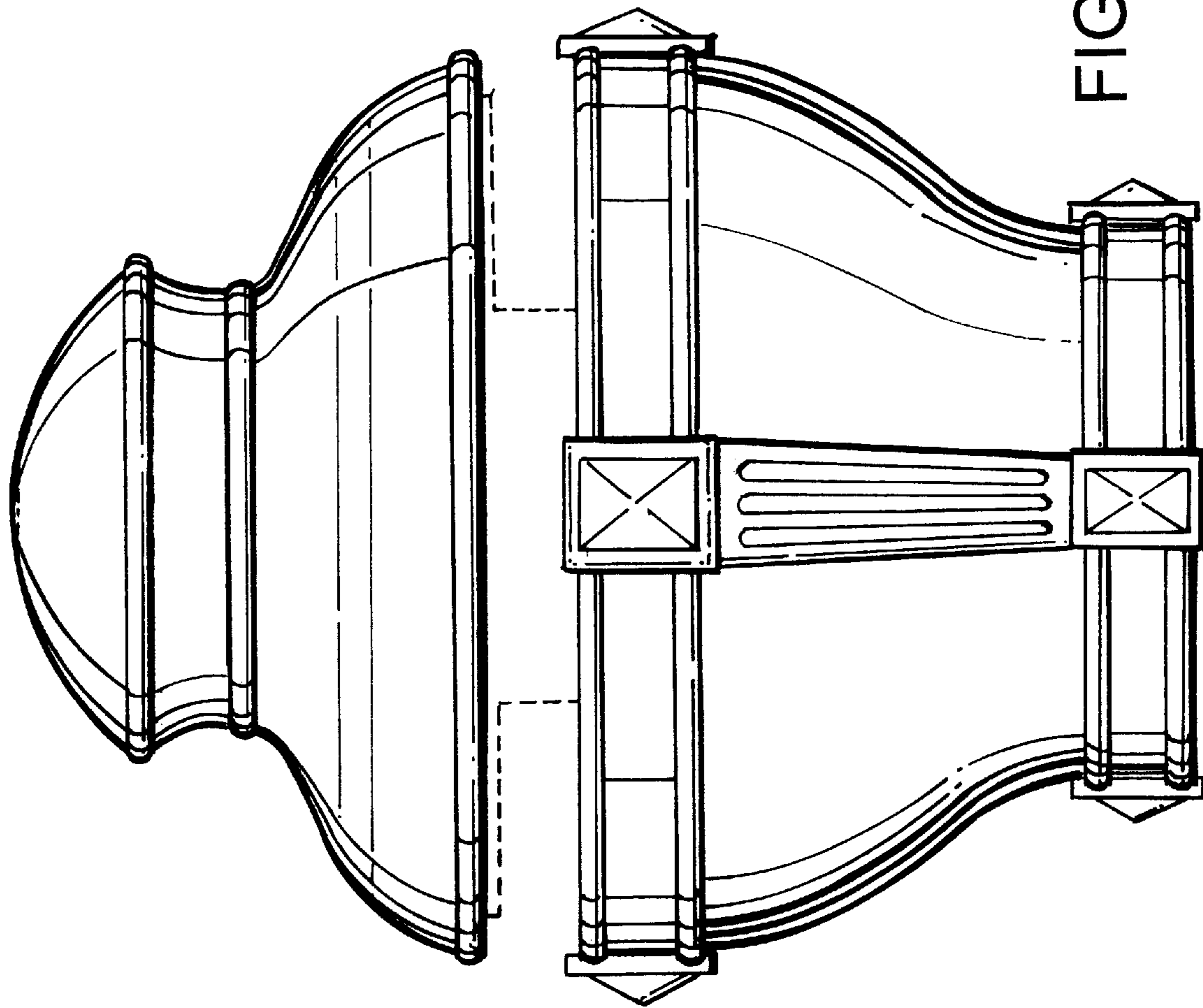


FIGURE 3



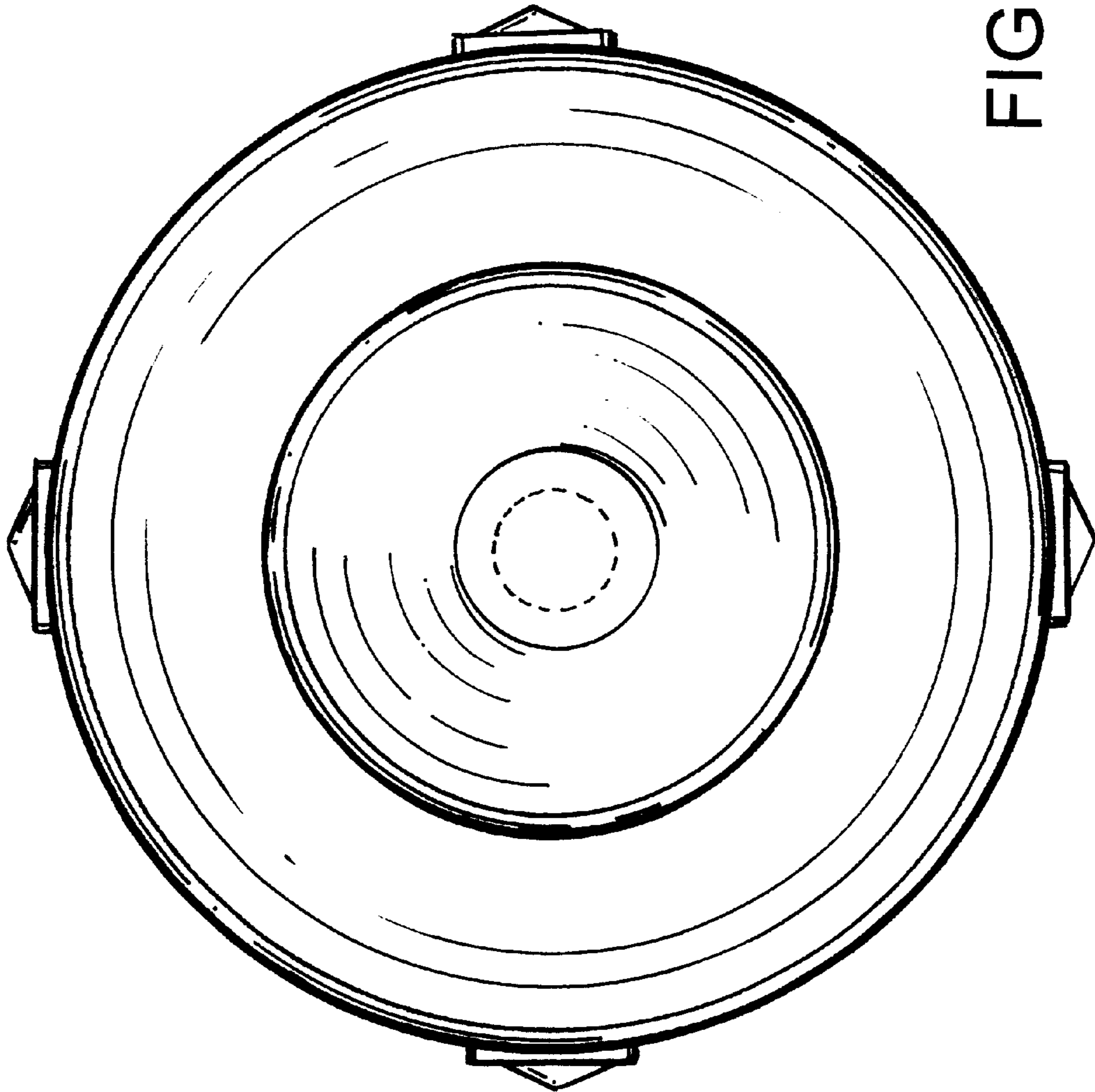


FIGURE 4

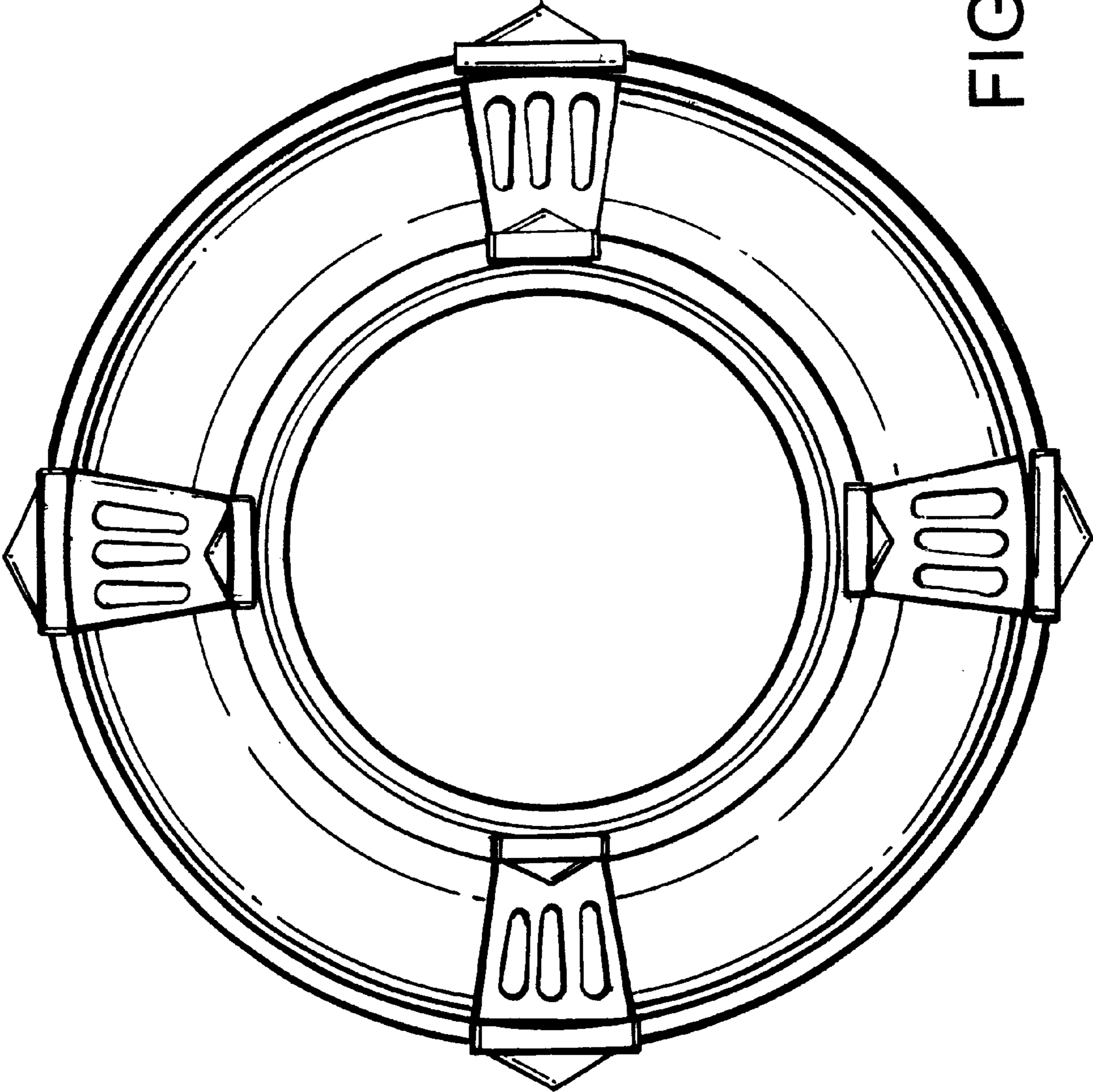


FIGURE 5