



US00D541406S

(12) **United States Design Patent**
Pickett

(10) **Patent No.:** **US D541,406 S**

(45) **Date of Patent:** **** Apr. 24, 2007**

(54) **CEILING FAN HOUSING**

(76) **Inventor:** **Mark Pickett**, 1419 E. Palm St.,
Altadena, CA (US) 91001

(**) **Term:** **14 Years**

(21) **Appl. No.:** **29/257,347**

(22) **Filed:** **Apr. 3, 2006**

(51) **LOC (8) Cl.** **23-04**

(52) **U.S. Cl.** **D23/411**

(58) **Field of Classification Search** D23/411,
D23/377, 379, 385; 416/5; 392/364
See application file for complete search history.

(56) **References Cited**

U.S. PATENT DOCUMENTS

D450,830 S * 11/2001 Hidalgo D23/377
D483,850 S * 12/2003 Tai D23/377

* cited by examiner

Primary Examiner—Lisa Lichtenstein

(74) *Attorney, Agent, or Firm*—Parsons & Goltry; Michael
W. Goltry; Robert A. Parsons

(57) **CLAIM**

The ornamental design for a ceiling fan housing, as shown
and described.

DESCRIPTION

FIG. 1 is a top perspective view of a ceiling fan housing
showing my new design;

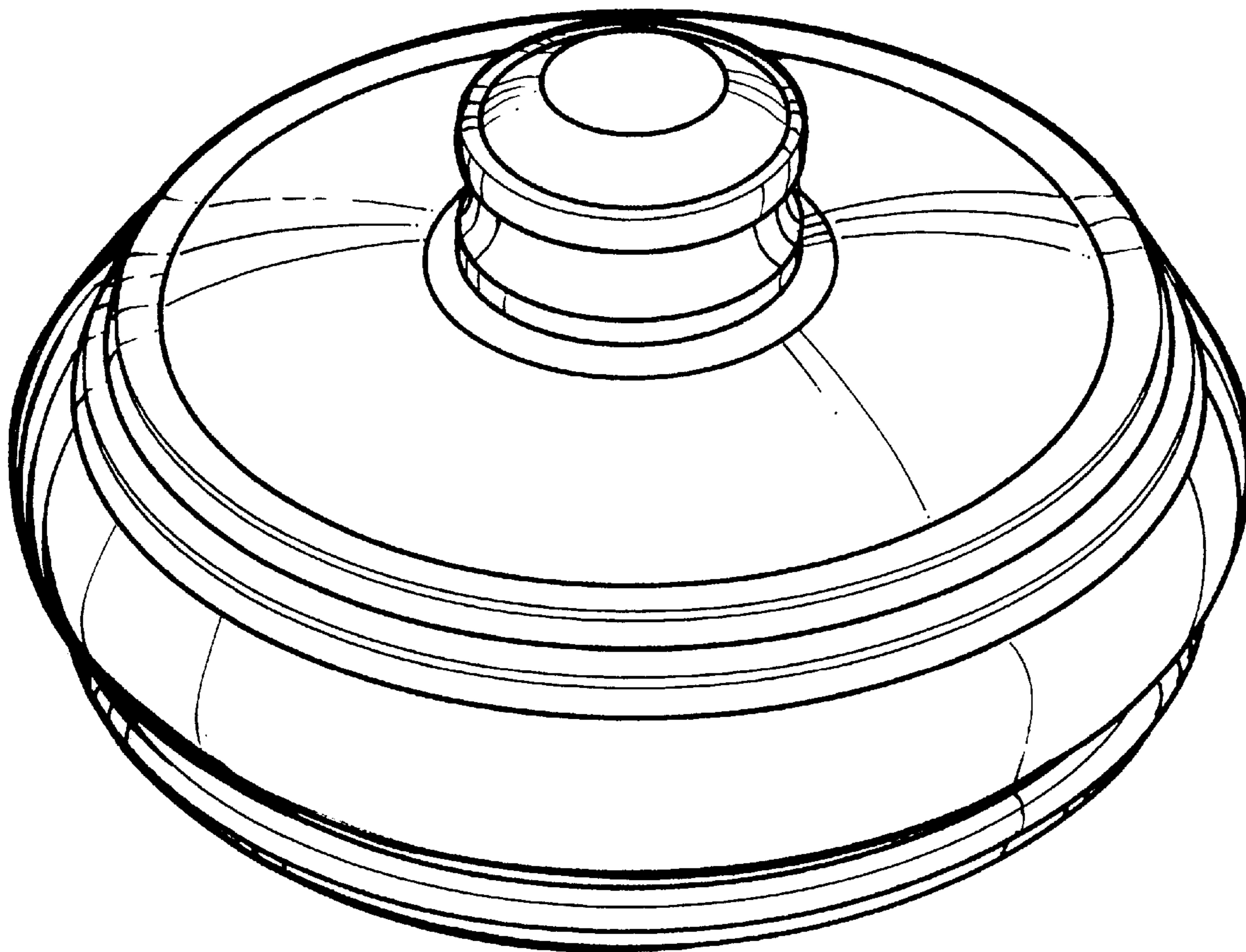
FIG. 2 is a bottom perspective view thereof;

FIG. 3 is a front elevational view thereof, the rear elevational
view thereof, the left side elevational view thereof, and the
right side elevational view thereof being substantially the
same thereof;

FIG. 4 is a top plan view thereof; and,

FIG. 5 is a bottom plan view thereof.

1 Claim, 5 Drawing Sheets



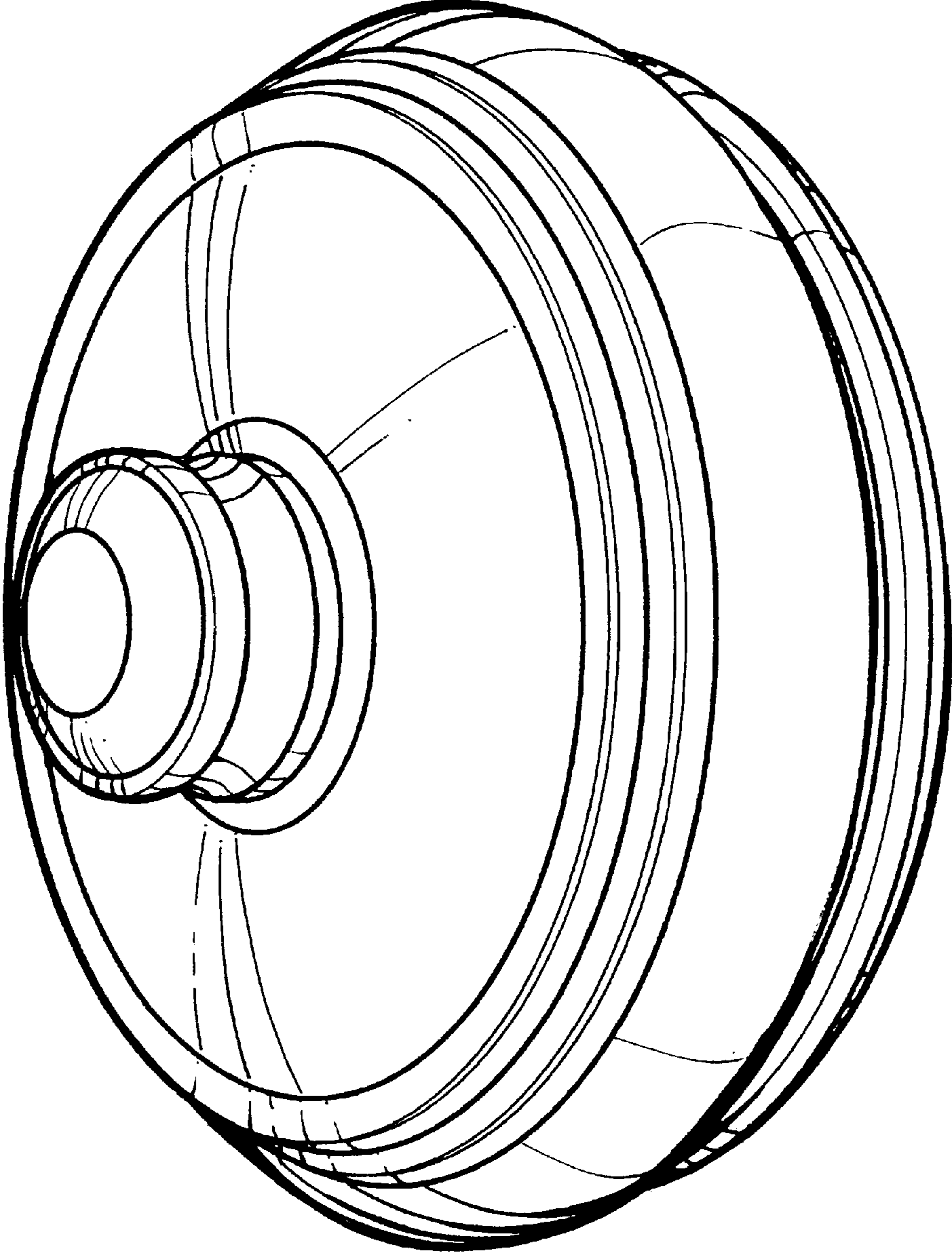


FIGURE 1

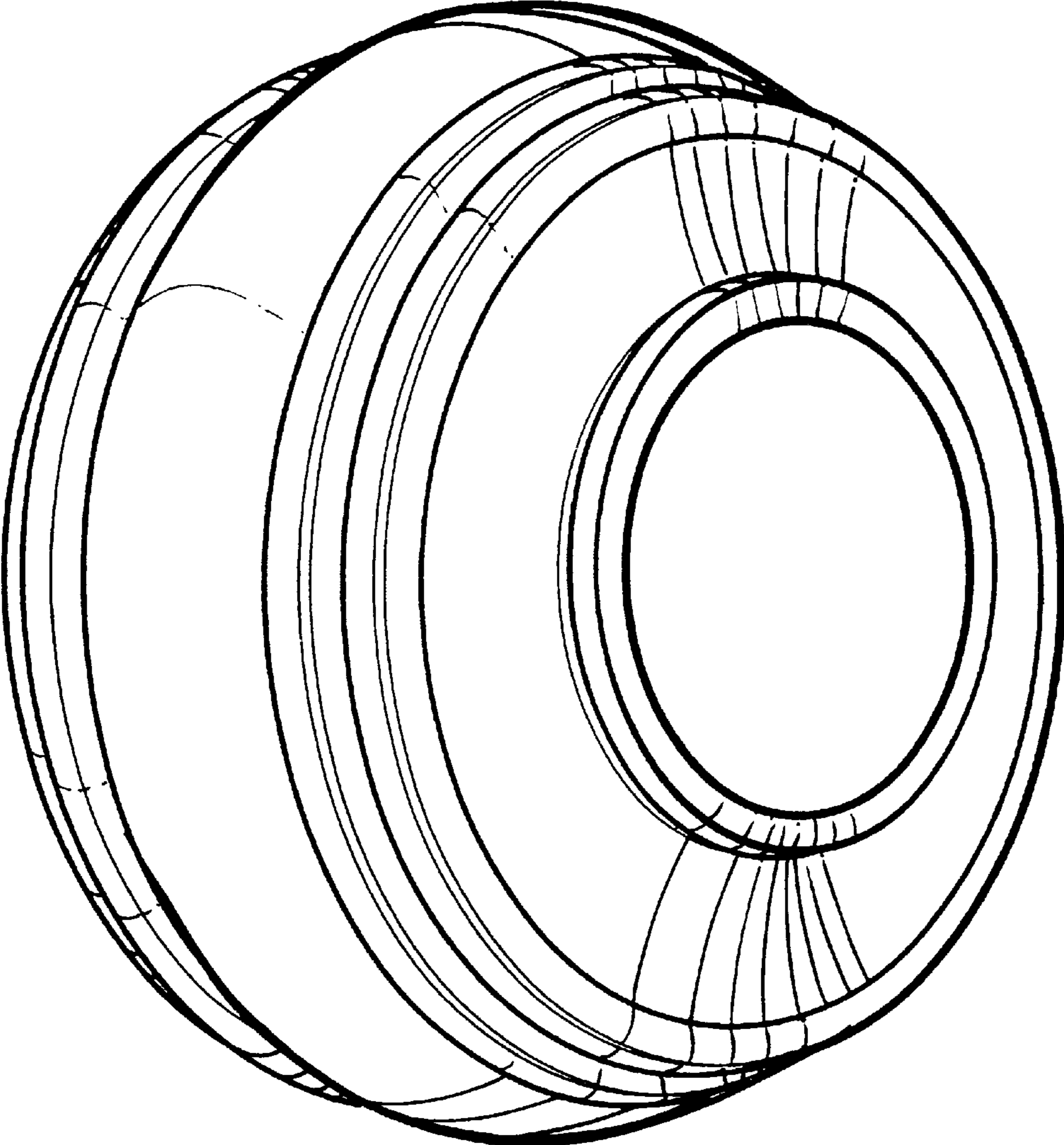


FIGURE 2

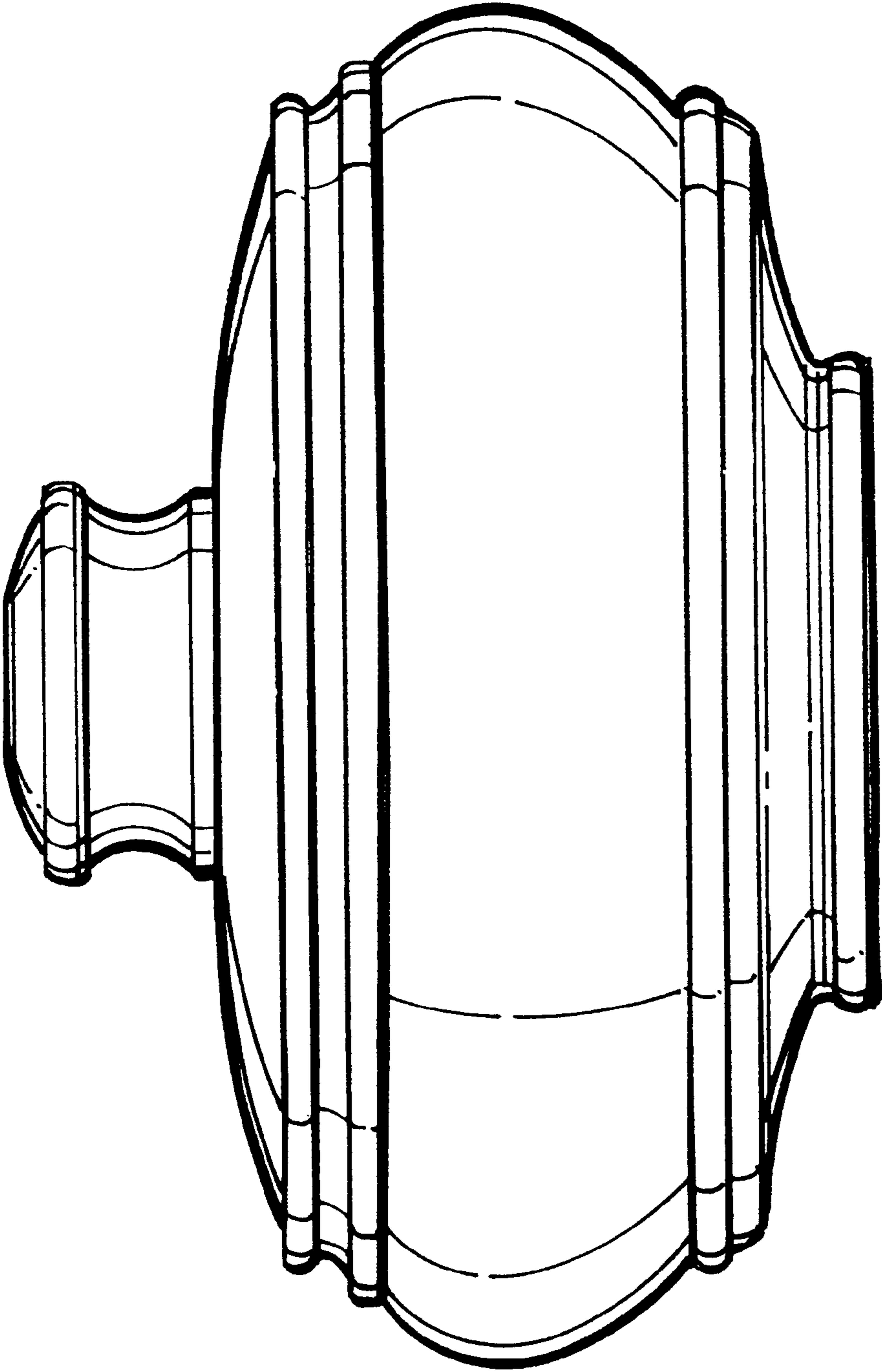


FIGURE 3

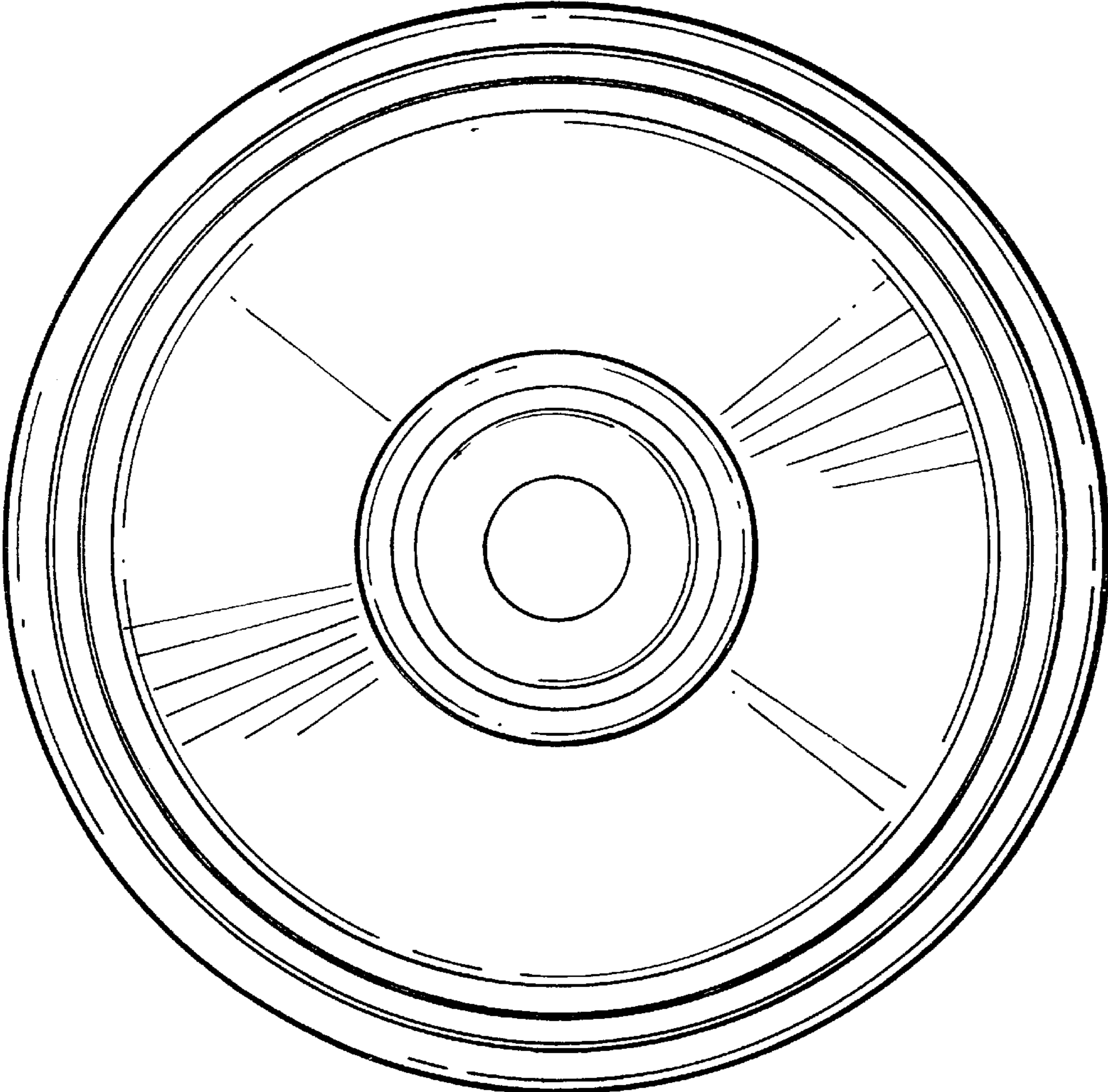


FIGURE 4

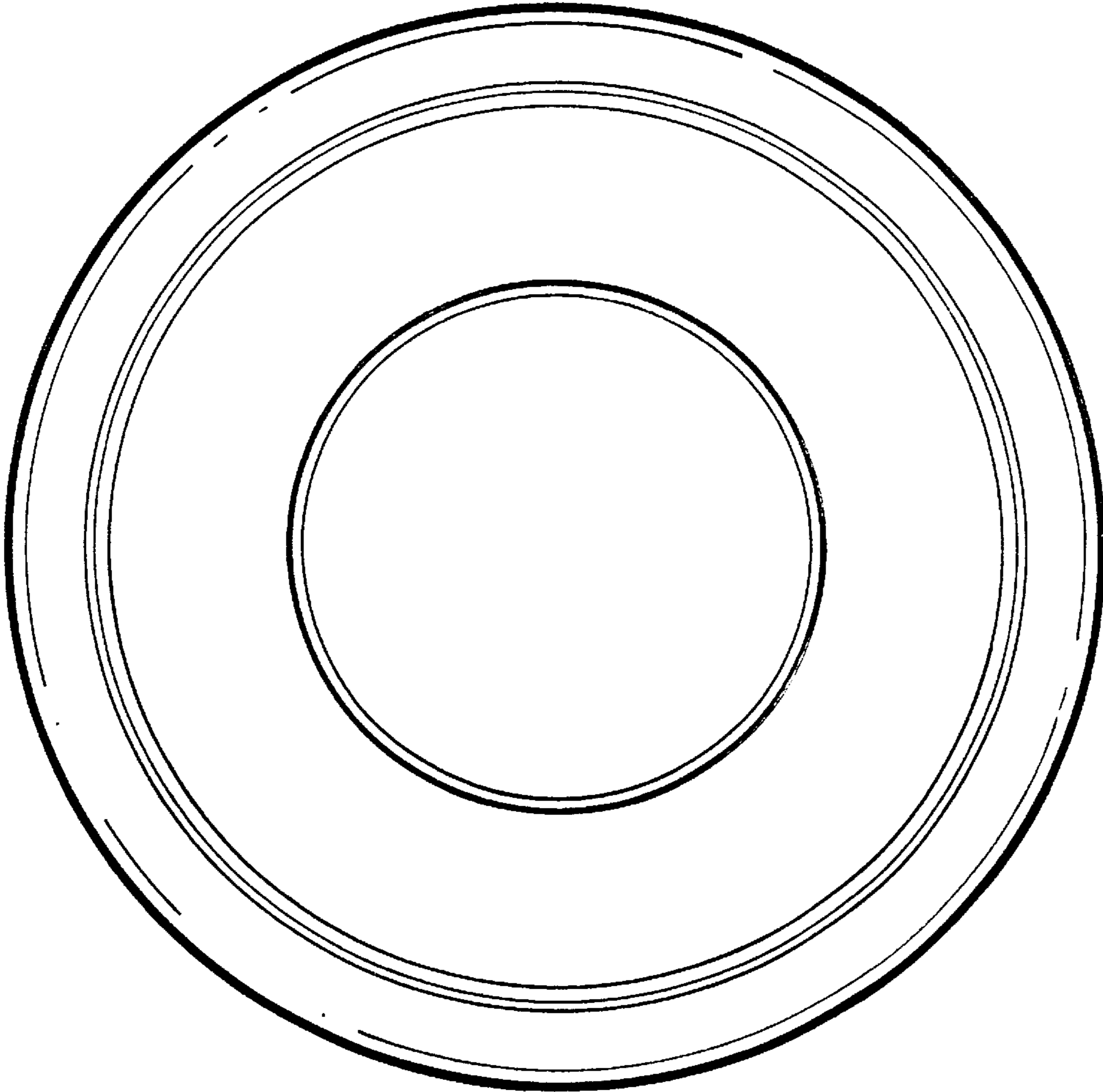


FIGURE 5