



US00D541405S

(12) **United States Design Patent**
Snyder

(10) **Patent No.:** **US D541,405 S**

(45) **Date of Patent:** **** Apr. 24, 2007**

- (54) **POKE THROUGH**
- (75) Inventor: **Darryl L. Snyder**, Canton, OH (US)
- (73) Assignee: **SGC Technologies, L.L.C.**, Canton, OH (US)
- (**) Term: **14 Years**
- (21) Appl. No.: **29/210,036**
- (22) Filed: **Jul. 26, 2004**
- (51) **LOC (8) Cl.** **23-04**
- (52) **U.S. Cl.** **D23/393**
- (58) **Field of Classification Search** D23/262,
D23/266-267, 354, 386, 393-394; D25/122-123,
D25/164; 126/307 R, 314-317; 52/218, 220.1,
52/220.5

See application file for complete search history.

(56) **References Cited**

U.S. PATENT DOCUMENTS

343,025 A	6/1886	Gordon et al.	285/399
403,564 A	5/1889	Sullivan	248/71
641,580 A	1/1900	Cummins	285/382.2
1,776,656 A	9/1930	Frederickson	52/220.1
1,992,574 A	2/1935	Jenkins	174/72 C
3,460,322 A	8/1969	Rivers et al.	55/484
3,740,934 A	6/1973	Shuler	55/490
4,020,875 A	5/1977	Akiba	138/128
4,174,126 A	11/1979	Hauff	285/136.1
4,429,497 A	2/1984	Dibernardi	52/27
4,467,914 A	8/1984	Trammel et al.	198/860.2
4,607,469 A	8/1986	Harrison	52/220.8

4,711,160 A	12/1987	Witten et al.	454/283
4,712,342 A	12/1987	Legerius et al.	52/220.8
4,765,375 A	8/1988	Nakajima	138/155
4,773,197 A	9/1988	Sullivan	52/220.1
4,817,348 A	4/1989	Wydra	52/220.8
4,858,520 A	8/1989	Prochnow et al.	454/292
4,967,524 A	11/1990	Hull et al.	52/198
5,421,775 A	6/1995	Honda	454/274
5,729,938 A	3/1998	Tobias	52/220.8
D394,901 S	6/1998	Governale et al.	D23/354
5,813,706 A	9/1998	Travis	285/363
6,024,127 A	2/2000	Johnson	137/87.3
6,125,593 A	* 10/2000	Randolph et al.	52/16
D465,276 S	* 11/2002	Snyder	D23/393
D513,072 S	* 12/2005	Berg	D23/386
2003/0009961 A1	* 1/2003	Radke et al.	52/220.1

FOREIGN PATENT DOCUMENTS

IT 295401 10/1936

* cited by examiner

Primary Examiner—Catherine R. Oliver

(74) *Attorney, Agent, or Firm*—Zollinger & Burleson Ltd

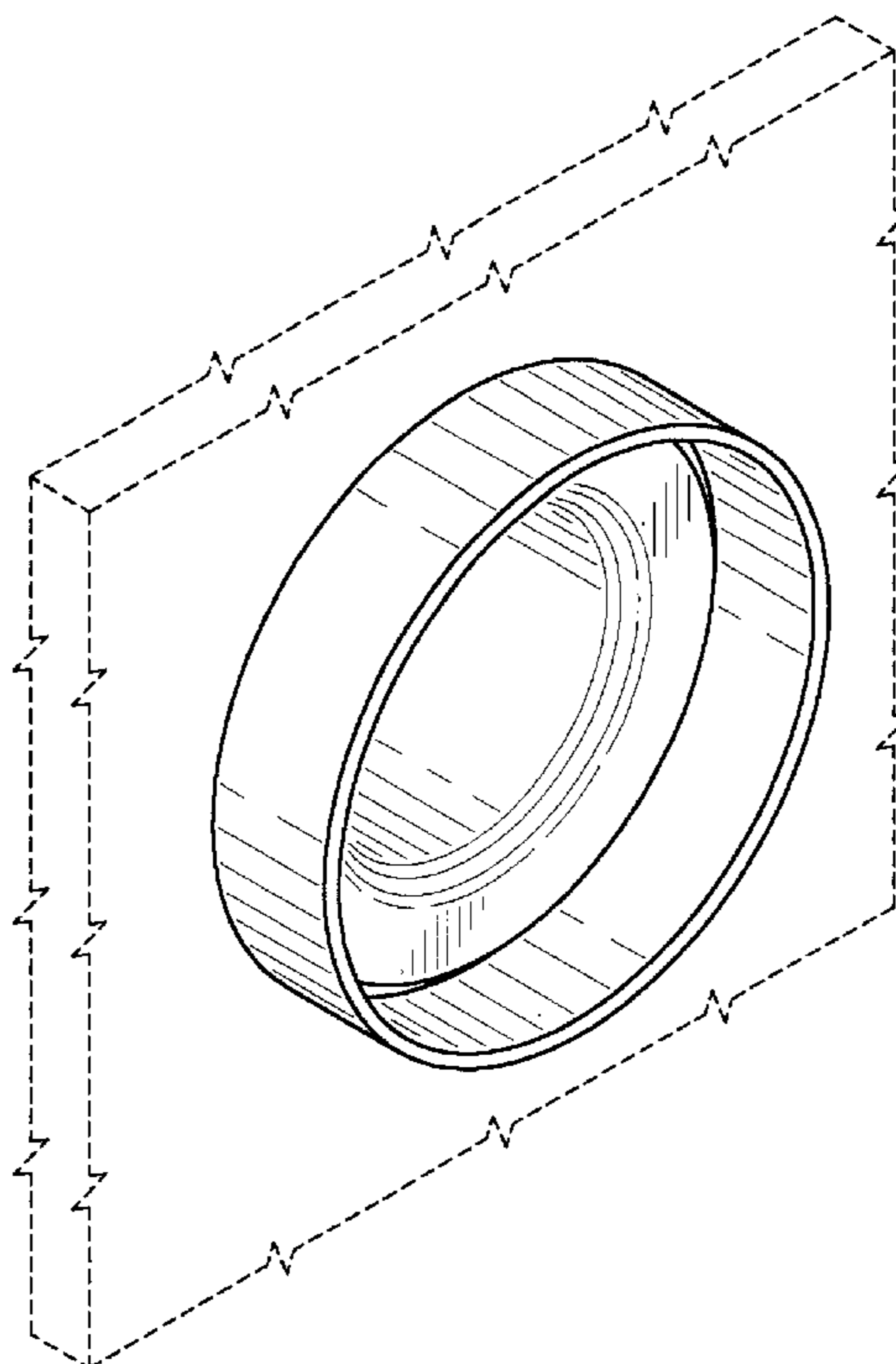
(57) **CLAIM**

The ornamental design for the poke through, as shown and described.

DESCRIPTION

FIG. 1 is a perspective view of the poke through showing my new design installed in a wall;
FIG. 2 is a side, top and bottom view thereof; and,
FIG. 3 is a front elevation view thereof.

1 Claim, 1 Drawing Sheet



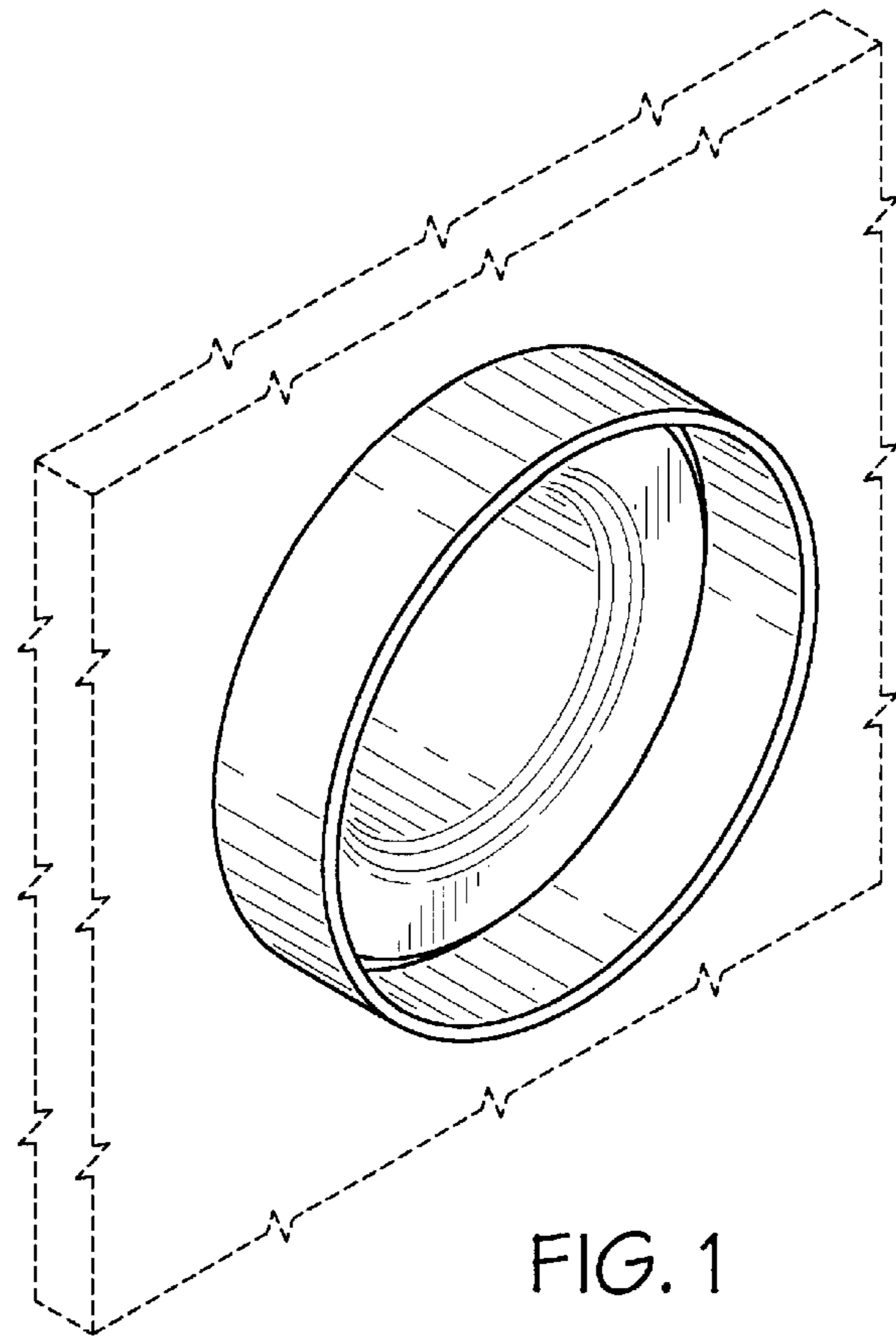


FIG. 1

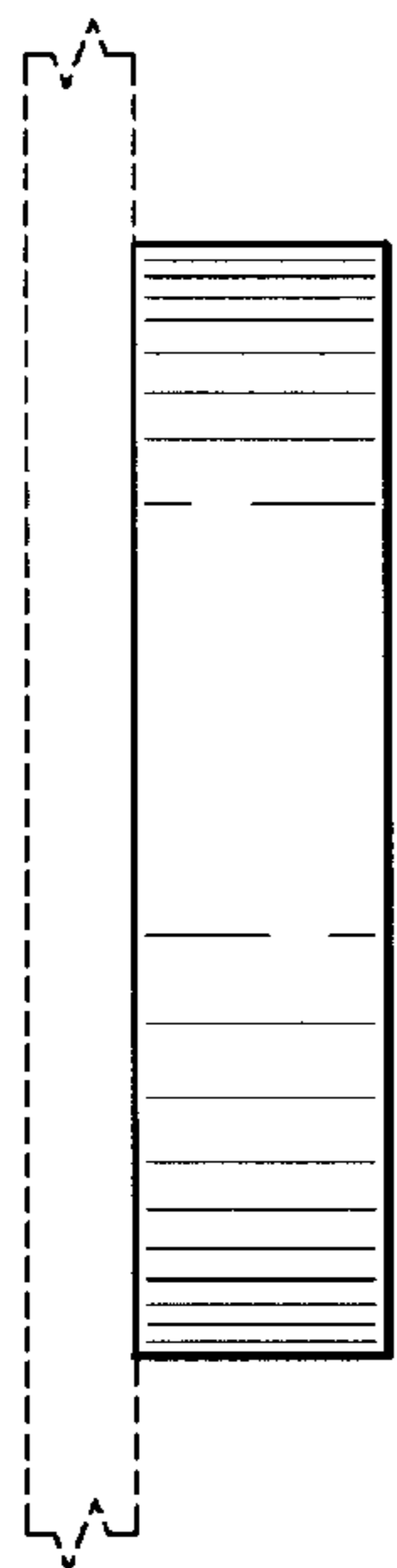


FIG. 2

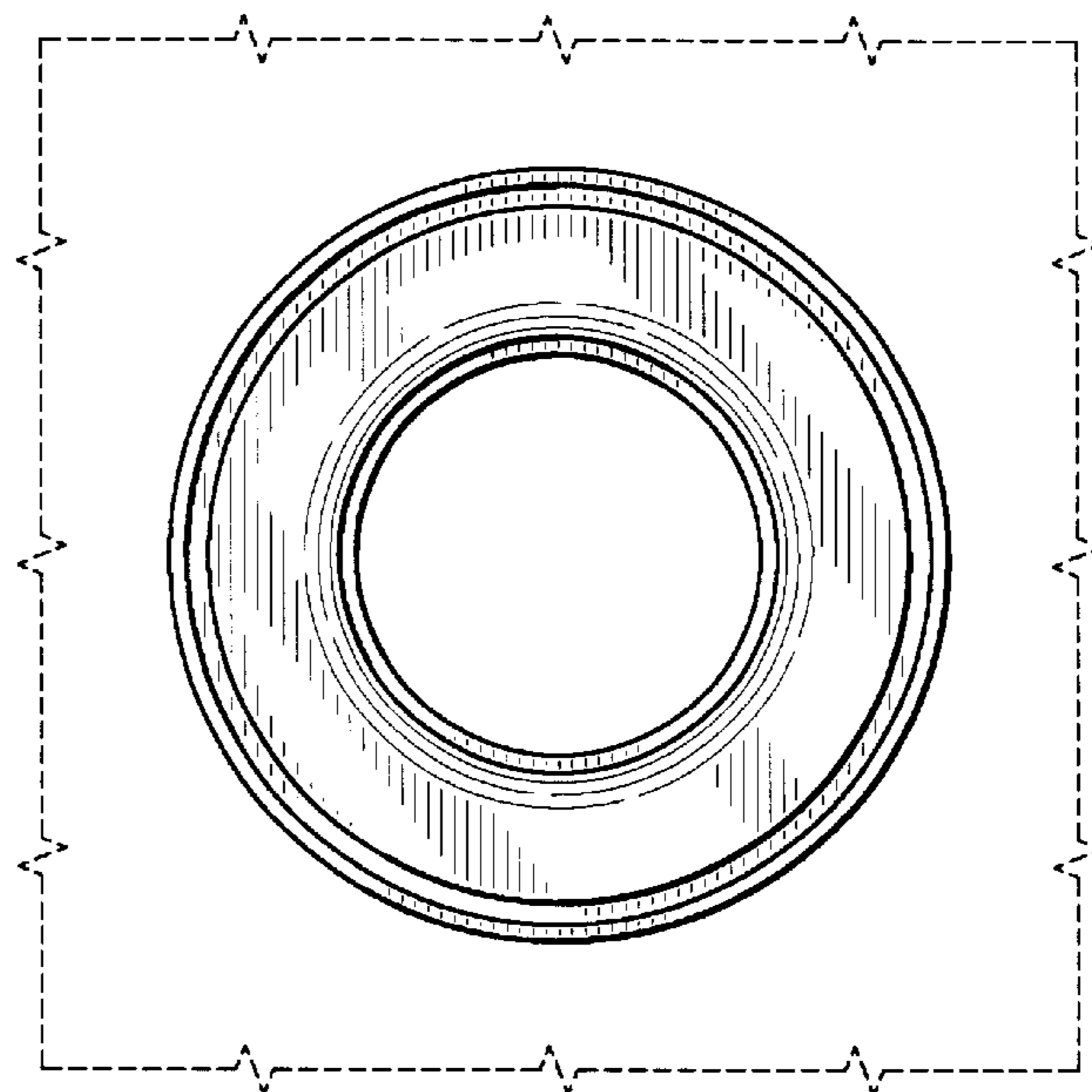


FIG. 3