



US00D541398S

(12) **United States Design Patent**
Gentile

(10) **Patent No.:** **US D541,398 S**

(45) **Date of Patent:** **** Apr. 24, 2007**

(54) **SPORTS LID AND BASE FOR A CHIMINEA**

(76) Inventor: **Frank Gentile**, 431 NE. 10th Ter., Boca Raton, FL (US) 33431

(**) Term: **14 Years**

(21) Appl. No.: **29/221,061**

(22) Filed: **Jan. 11, 2005**

(51) **LOC (8) Cl.** **23-03**

(52) **U.S. Cl.** **D23/348; D23/403**

(58) **Field of Classification Search** D23/343-348, D23/350, 386; D7/332-334, 402-403; D21/710, D21/713, 727; 119/165; D12/202-204, 162; D14/403; D9/439; D8/335; D99/30

See application file for complete search history.

(56) **References Cited**

U.S. PATENT DOCUMENTS

D16,792 S	7/1886	Keep et al.	
D17,759 S	10/1887	Martens	
D18,179 S	3/1888	Heisel	
D21,501 S	4/1892	Ireland	
D22,710 S	8/1893	Wipfler	
D29,393 S	9/1898	Kennedy et al.	
D167,059 S	6/1952	Richards	
D205,697 S	* 9/1966	Thulman	D23/386
D207,566 S	5/1967	Carsello	
D272,179 S	1/1984	Leach	
D314,882 S	* 2/1991	Bethel, Jr.	D7/334
D340,744 S	* 10/1993	Van Eijben et al.	D19/75
D359,958 S	* 7/1995	Frodelius	D14/208
D369,443 S	* 4/1996	Givens	D30/118
D370,391 S	* 6/1996	Bauer et al.	D7/606
D373,282 S	* 9/1996	Cordero	D7/334
D396,599 S	8/1998	Smith, Jr.	
D397,580 S	9/1998	Dunn et al.	
D399,802 S	* 10/1998	Adelaar	D12/162
D418,004 S	12/1999	Taylor, Jr.	

D418,359 S	1/2000	Taylor, Jr.	
D421,200 S	2/2000	Taylor, Jr.	
D425,367 S	* 5/2000	Cragg	D7/402
D431,132 S	* 9/2000	Lewis	D6/486
D435,998 S	1/2001	Mak	
D440,461 S	4/2001	Mak	
D443,793 S	6/2001	Ethridge	
D461,070 S	* 8/2002	Diaz-Azcuy	D6/495
D465,124 S	11/2002	Favela	
D465,380 S	11/2002	Favela	
D465,381 S	* 11/2002	Favela	D7/334
D465,694 S	* 11/2002	Favela	D7/334
D465,695 S	11/2002	Favela	
D466,340 S	* 12/2002	Diaz-Azcuy	D6/495
D466,360 S	12/2002	Favela	
D470,582 S	2/2003	Jeng	
D470,583 S	2/2003	Klemming	
D480,238 S	* 10/2003	O'Hare	D6/495
D482,230 S	11/2003	Lai	
D485,868 S	* 1/2004	Perrin	D21/385
6,761,130 B1	* 7/2004	Vicknair	119/165
D496,554 S	* 9/2004	Lai	D7/332
D519,510 S	* 4/2006	Valentine	D14/403
D519,789 S	* 5/2006	Thiele	D7/606

* cited by examiner

Primary Examiner—Louis S. Zarfaz

Assistant Examiner—Eric Goodman

(74) *Attorney, Agent, or Firm*—Buckingham, Doolittle & Burroughs Co., L.P.A.; Louis F. Wagner

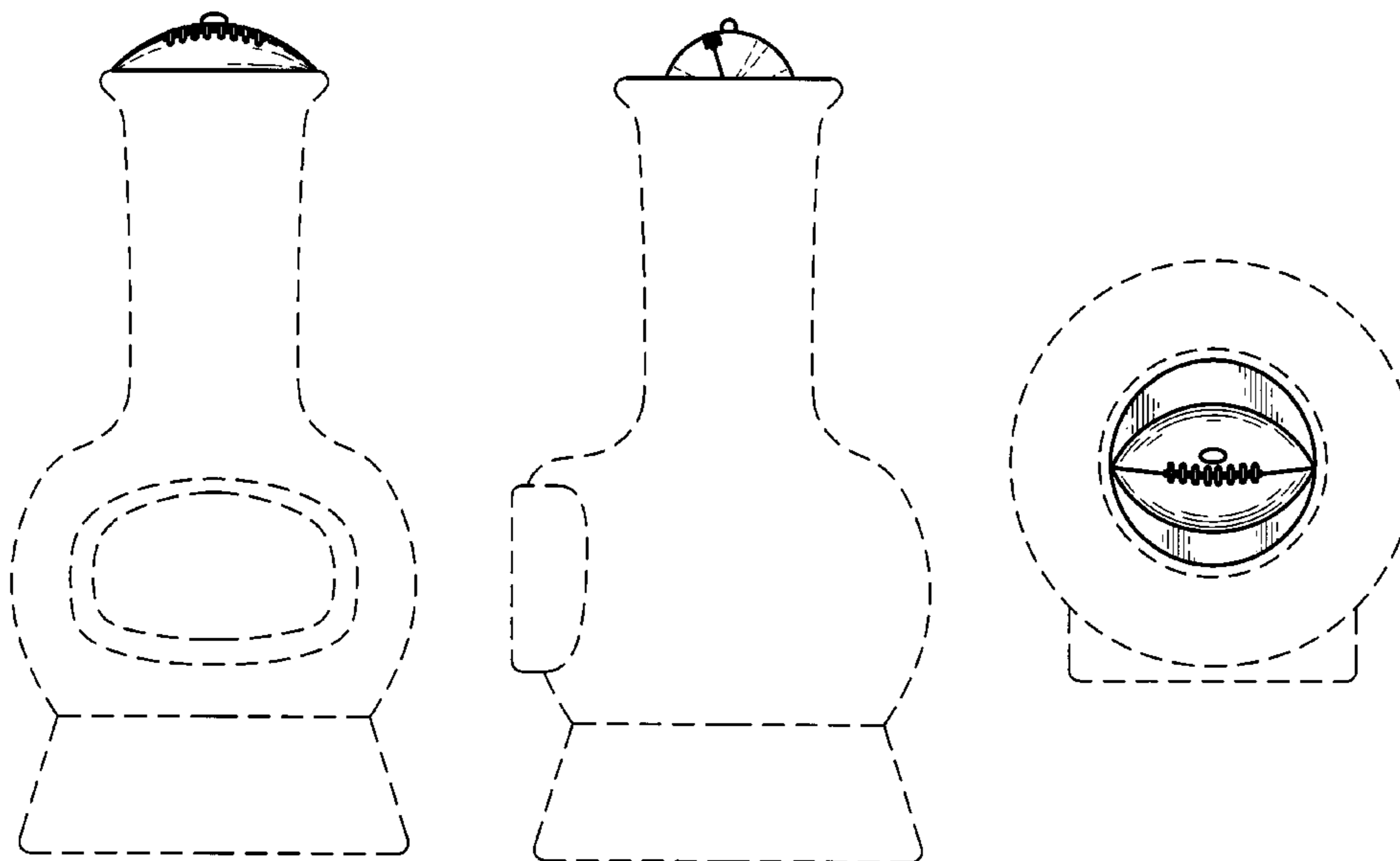
(57) **CLAIM**

I claim the ornamental design for a sports lid and base for a chiminea, as shown.

DESCRIPTION

FIG. 1 is a front elevational view thereof;
FIG. 2 is a side elevational view thereof; and,
FIG. 3 is a top view thereof.

1 Claim, 1 Drawing Sheet



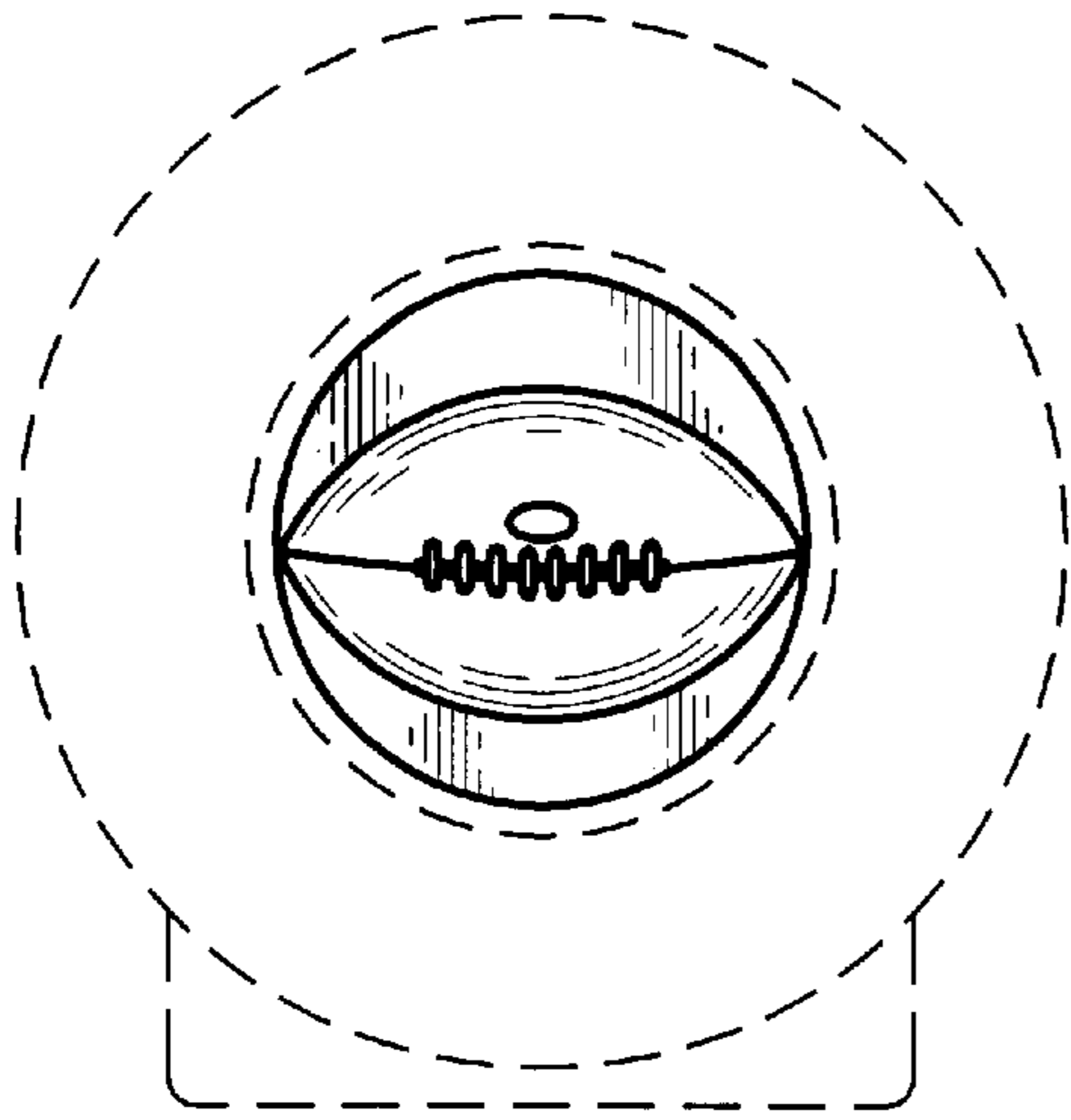


FIG-3

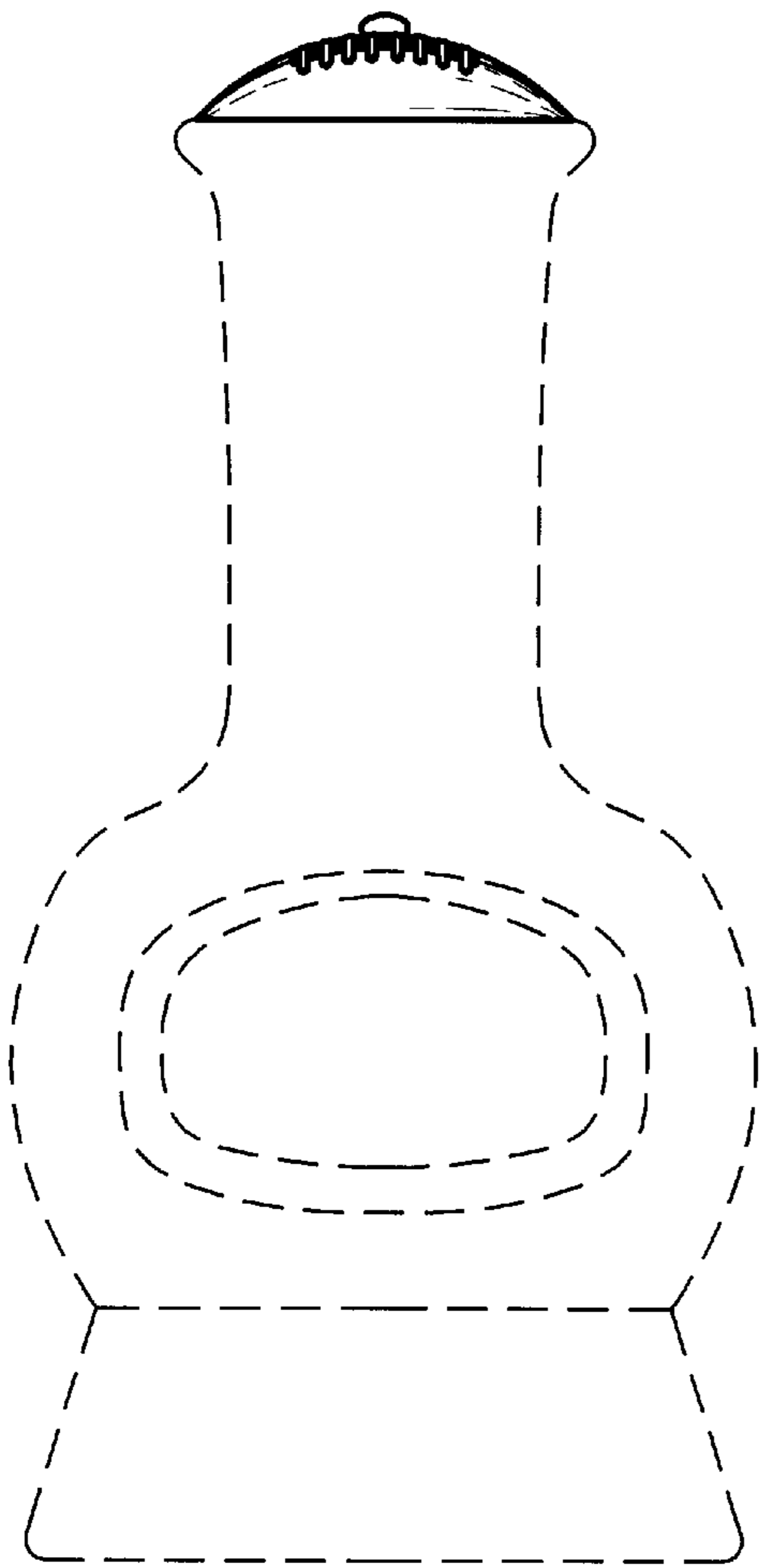


FIG-1

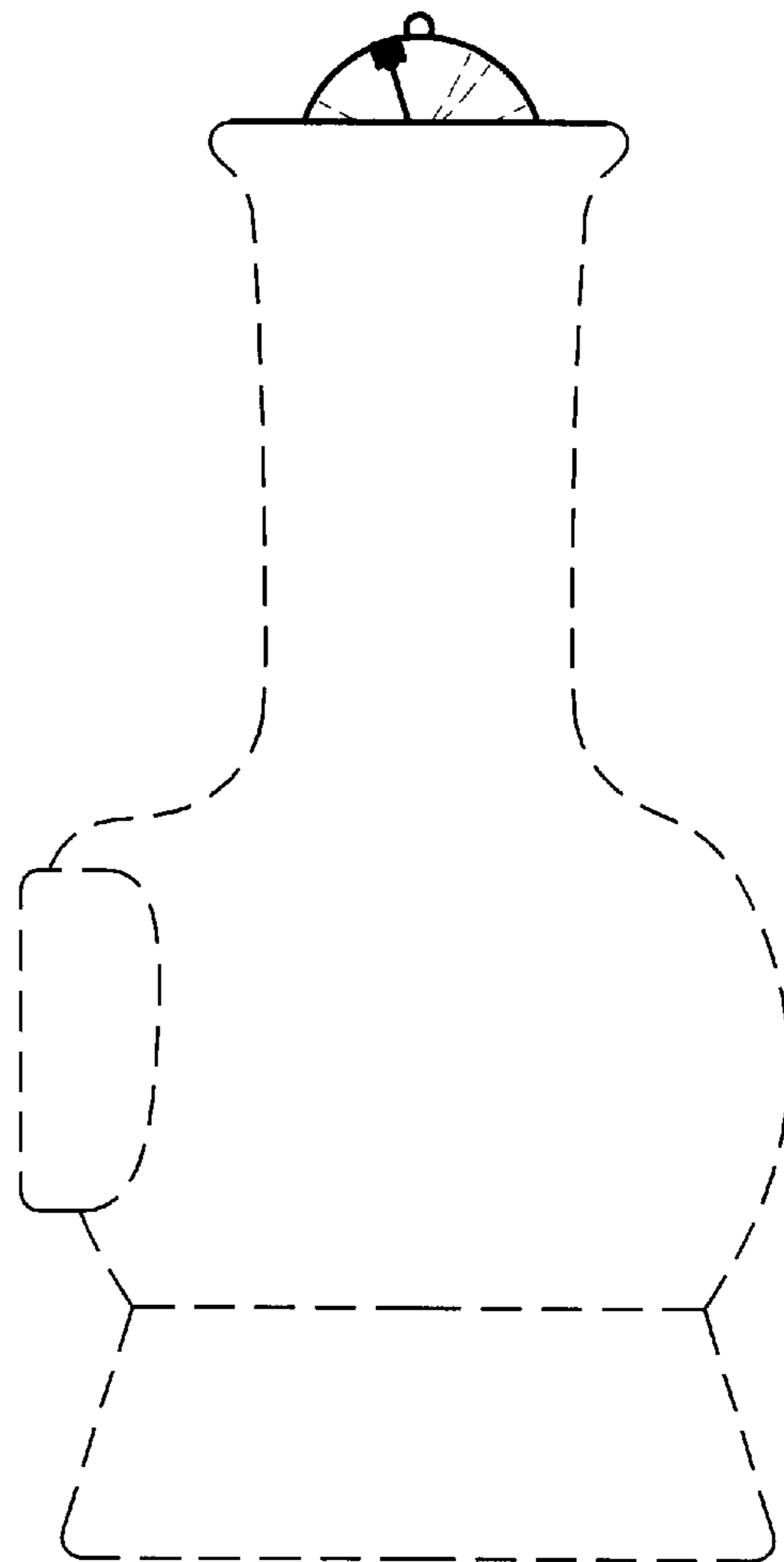


FIG-2