



US00D541395S

(12) **United States Design Patent**
Murdock

(10) **Patent No.:** **US D541,395 S**

(45) **Date of Patent:** **** Apr. 24, 2007**

(54) **ONE PIECE WALL SYSTEM**

(75) Inventor: **Norman A. Murdock**, Scottsdale, AZ
(US)

(73) Assignee: **Re-Bath, LLC**, Mesa, AR (US)

(**) Term: **14 Years**

(21) Appl. No.: **29/266,204**

(22) Filed: **Sep. 14, 2006**

(51) **LOC (8) Cl.** **23-02**

(52) **U.S. Cl.** **D23/305**

(58) **Field of Classification Search** D23/279,
D23/283, 303-306; 4/552, 596-604, 612-614,
4/900, DIG. 15

See application file for complete search history.

(56) **References Cited**

U.S. PATENT DOCUMENTS

4,289,818 A * 9/1981 Casamayor 4/614

D275,783 S * 10/1984 McMillan et al. D23/283
D349,562 S * 8/1994 Bengtson D23/283

* cited by examiner

Primary Examiner—Robert A. Delehanty

(74) *Attorney, Agent, or Firm*—Gallagher & Kennedy, P.A.;
Donna H. Catalfo

(57) **CLAIM**

I claim the ornamental design for a one piece wall system,
as shown and described.

DESCRIPTION

FIG. 1 is a front view of a one piece wall system showing
my design;

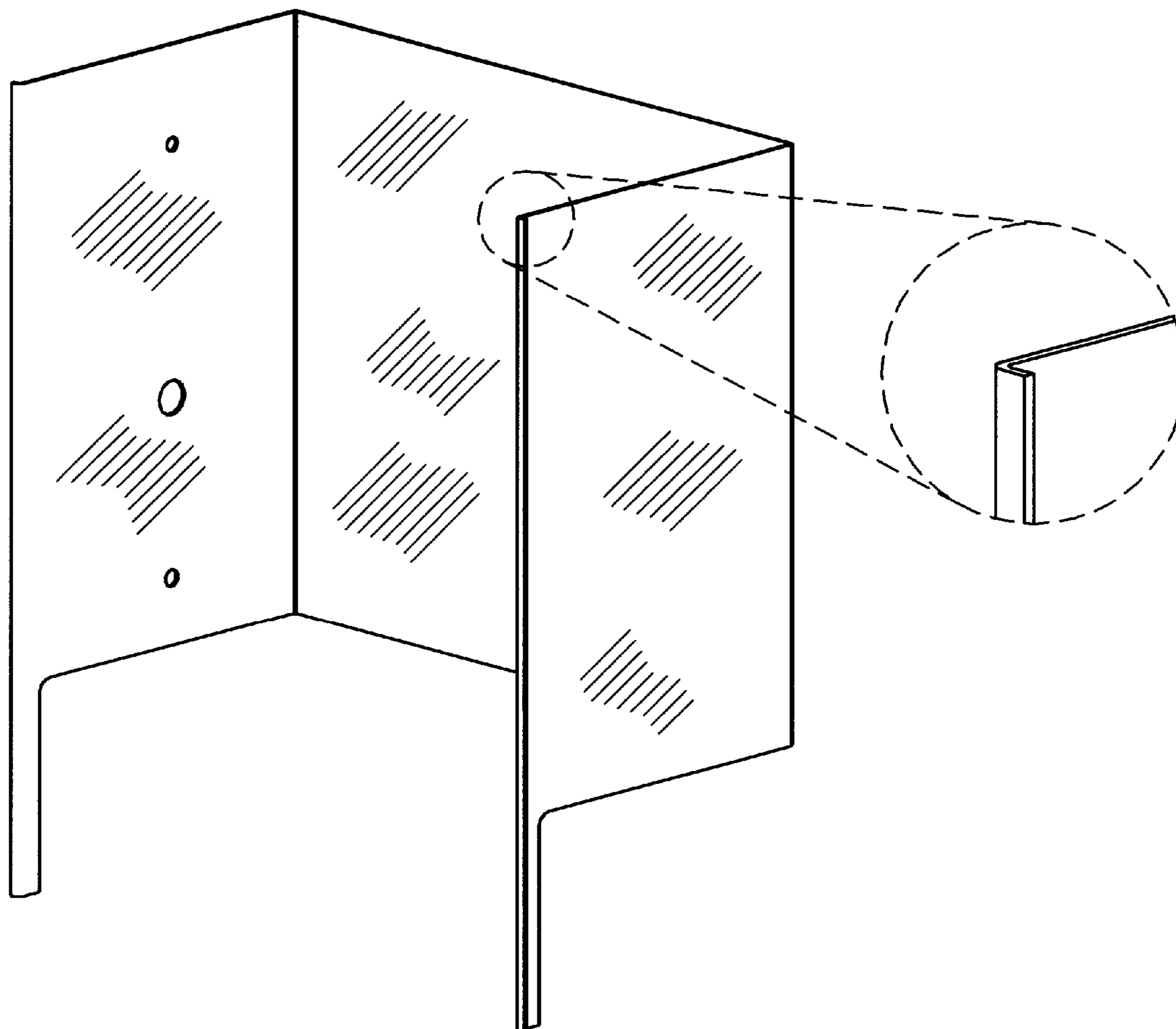
FIG. 2 is a top view of the one piece wall system;

FIG. 3 is a side view of the one piece wall system; and,

FIG. 4 is a perspective view of the one piece wall system.

The back of the one piece wall system is flat and unadorned
and does not form a part of the claimed design.

1 Claim, 2 Drawing Sheets



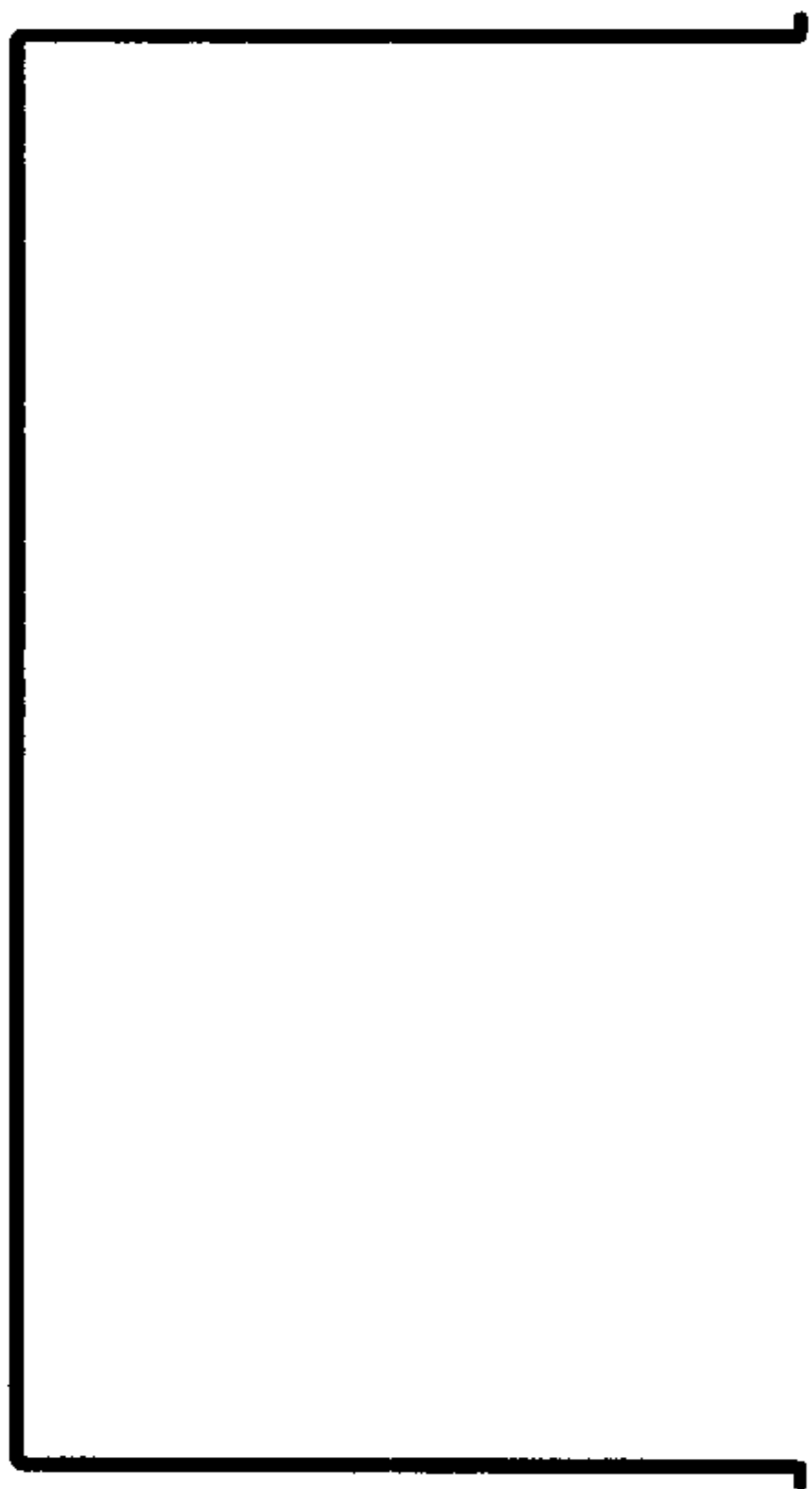


FIG. 2

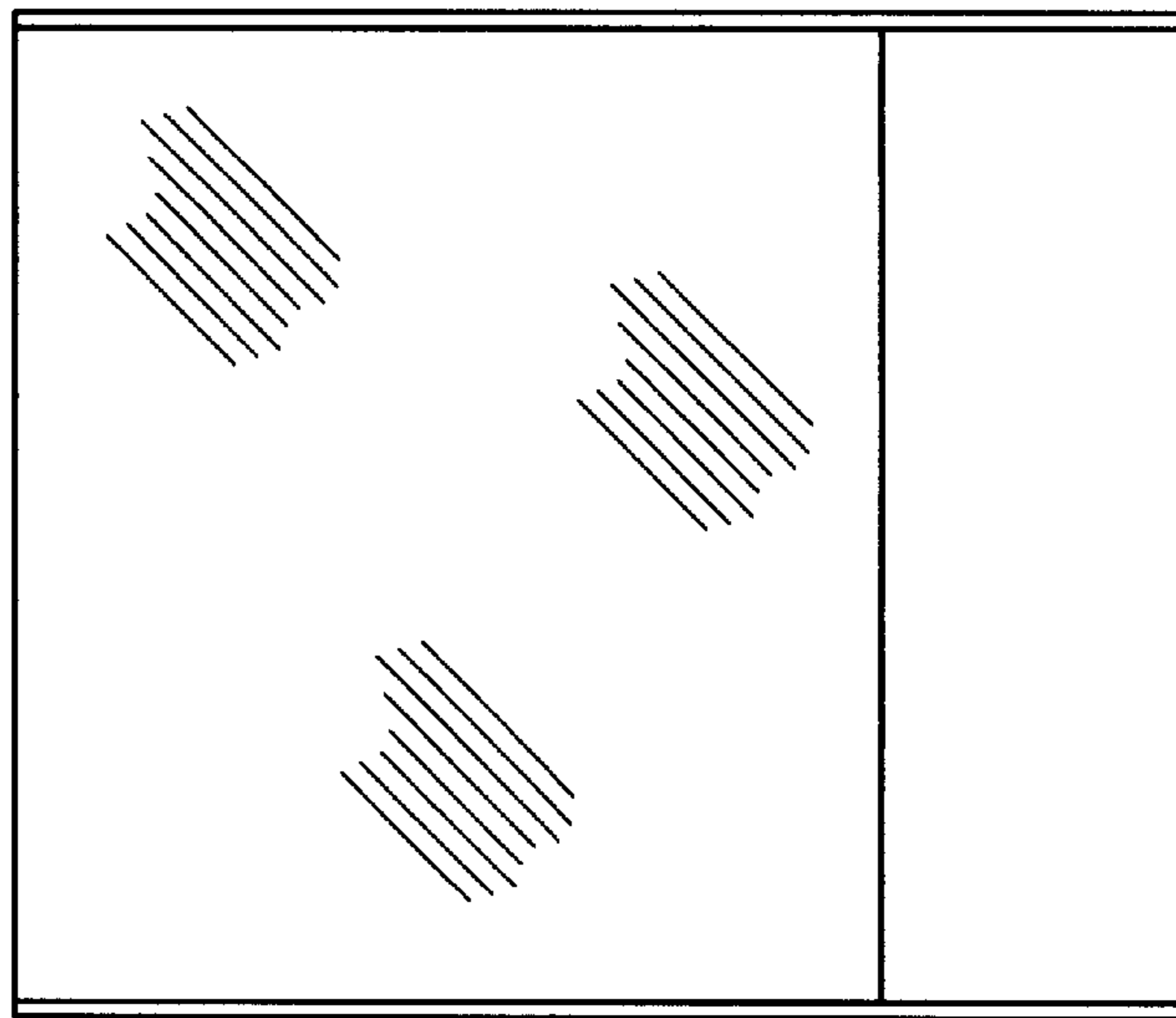


FIG. 1

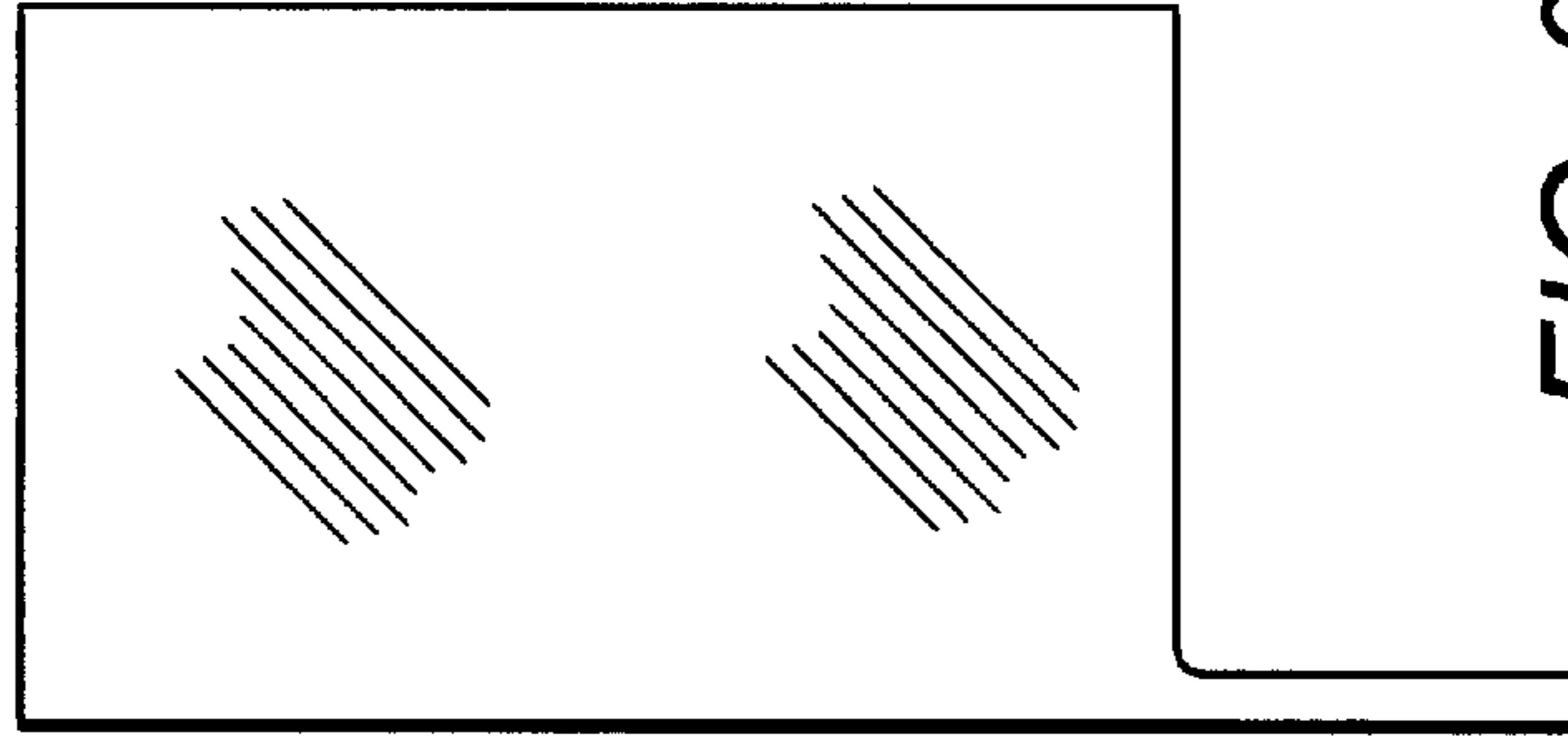


FIG. 3

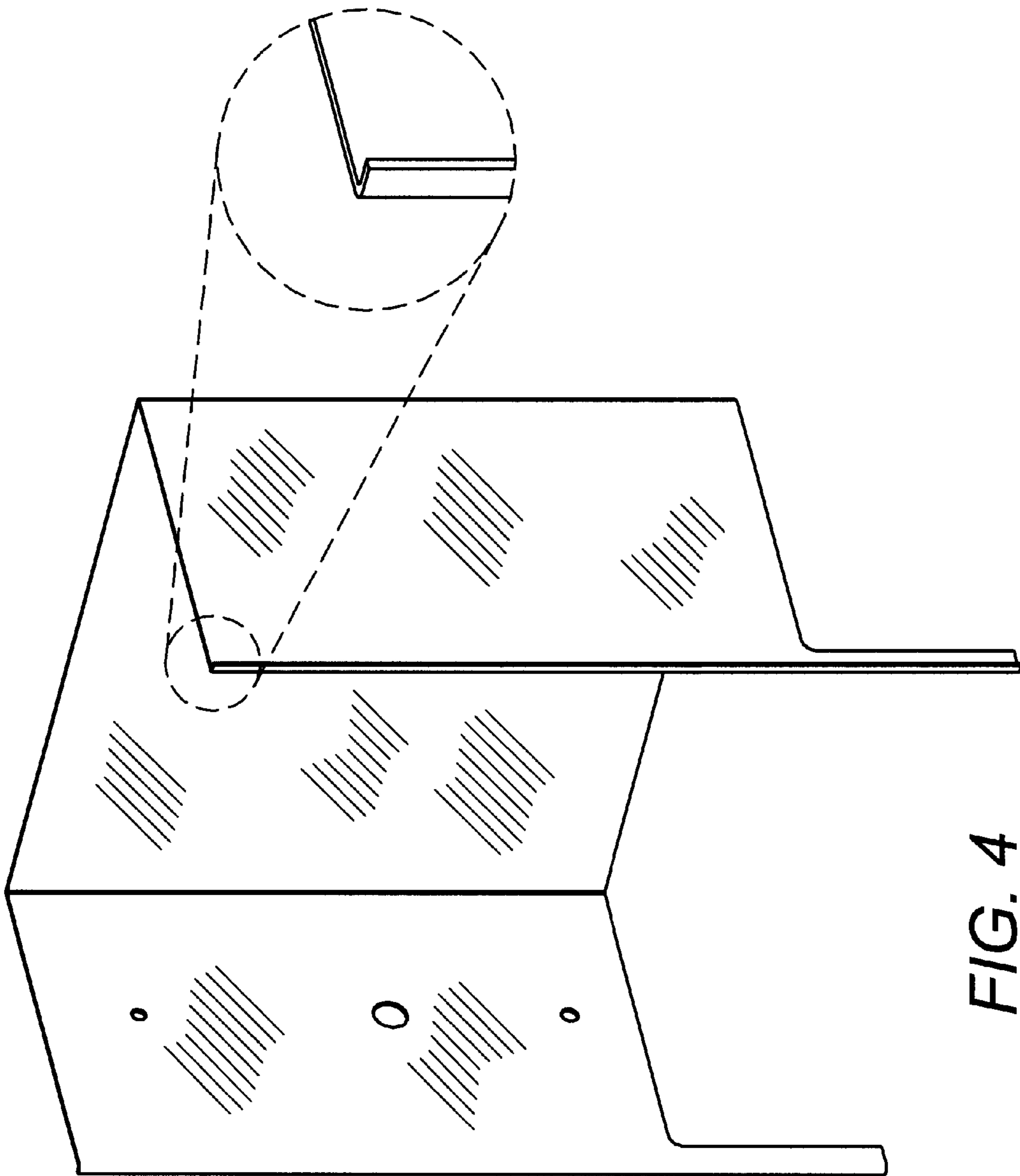


FIG. 4